



Bathing has never been like this before. Incorporating exotic woods, acrylic and state-of-the art bathing technologies, the Fuzion™ combines everything you need to create your ideal spa experience.

WHIRLPOOL BATH FEATURES:

- Multi-speed motor
- 4 fully adjustable TheraPro® jets
- 11 directionally adjustable AccuPro™ jets
- 256 color Chromatherapy lighting system
- Water level sensor
- Sculpted armrest and contoured backrest with pillows
- All-in-one electronic control panel
- Infinity-edge drain system
- RapidHeat™ inline heater
- Undermount or choose Wenge or Teak wooden deck
- ProO₃™ Ozone Sanitation System standard

**Fuzion™ 7236
WHIRLPOOL BATH
UNDERMOUNT with
CHROMATHERAPY**

MODEL NUMBER:
EF80 (LH)
EF50 (RH)

EXTERIOR DIMENSIONS:
72" long x 36" wide x
21½" high

OF JETS/TYPE OF JETS:
4 TheraPro™ Jets
11 AccuPro™ Jets

OPERATING GALLONS:
82 gallons

**Fuzion™ 7236
WHIRLPOOL BATH
UNDERMOUNT with
ILLUMATHERAPY™**

MODEL NUMBER:
EF95 (LH)
EF65 (RH)

EXTERIOR DIMENSIONS:
72" long x 36" wide x
21½" high

OF JETS/TYPE OF JETS:
4 TheraPro™ Jets
11 AccuPro™ Jets

OPERATING GALLONS:
82 gallons





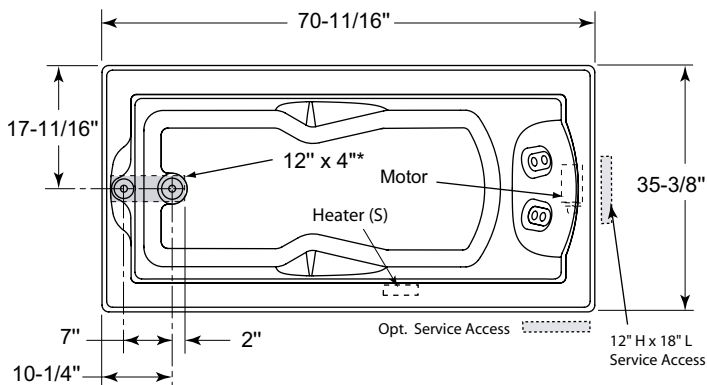
Fuzion™ 7236 WHIRLPOOL UNDERMT. with CHROMATHERAPY

EF80	Fuzion™ 7236 Whirlpool Bath Undermount, Left Hand
EF50	Fuzion™ 7236 Whirlpool Bath Undermount, Right Hand

Fuzion™ 7236 WHIRLPOOL UNDERMT. with ILLUMATHERAPY™

EF95	Fuzion™ 7236 Whirlpool Bath Undermount, Left Hand
EF65	Fuzion™ 7236 Whirlpool Bath Undermount, Right Hand

- Left or Right Hand Drain Locations
- Overflow fitting comes with tub
- Accessories / Hardware:
 - HTC Jet Trim Kit: #D095
 - Oval Trim Kit: #N557
 - BMH 2 Jet trim Kit: # J869 (4 kits required)
- Trim Kit Finishes Available:
 - (827) – Chrome
 - (898) – Brushed Chrome
 - (815) – Satin Nickel
 - (829) – Bright Brass
 - (805) – Platinum
 - (826) – Brushed Nickel
 - (845) – Oil Rubbed Bronze



Product Shown: Fuzion™ 7236 Whirlpool Bath Undermount with Illumatherapy™, Left Hand Model: EF95

* Measurements inside unit represent cutout in floor to allow for drain/overflow.
Minimum Service Access dimensions given.

INSTALLATION NOTES

Refer to installation instructions included with fixture before beginning installation. Please confirm product availability and specifications before commencing with any installation work.

PRODUCT SPECIFICATIONS AND AVAILABILITY ARE SUBJECT TO CHANGE WITHOUT NOTICE.

Technical Specifications

DIMENSIONS

72" L x 36" W x 21 1/2" H
(1829) mm L x (914) mm W x (546) mm H

DRAIN/OVERFLOW

A: 17" (432 mm) B: 10 1/4" (260 mm)

CUTOUT

Template provided. PN: DD42000

OPTIONAL DIY (DO-IT-YOURSELF) FRAME

Drawing provided. PN: DE54000
(Drawing comes with tub. Additional copies can be requested.)

TOTAL WEIGHT

1189 lb. (539 kg) / 66 lb/ft² (322 kg/m²)

OPERATING GALLONAGE

82 U.S. Gal. (310 Liters)
Max. 94 U.S. Gal. (360 Liters)

PRODUCT WEIGHT

155 lb (70 kg)

SKIRT MOUNTING

Not Available

ELECTRICAL SPECIFICATIONS

Requires a dedicated GFCI protected separate circuit.

Motor/Pump: 120 VAC, 20 AMP, 60 Hz.

RapidHeat™: 120 VAC, 15 AMP, 60 Hz.

HEATER (STANDARD)

Requires a dedicated GFCI protected separate circuit.

RapidHeat™: P/N S750000

Faucet Installation Note:

Selecting a faucet for rim mounting: The combined thickness of the tub shell is 1/2" (12, 7 mm) nominal and the undermount deck should not exceed the length of the faucet tailpiece(s) including any assembly hardware.

