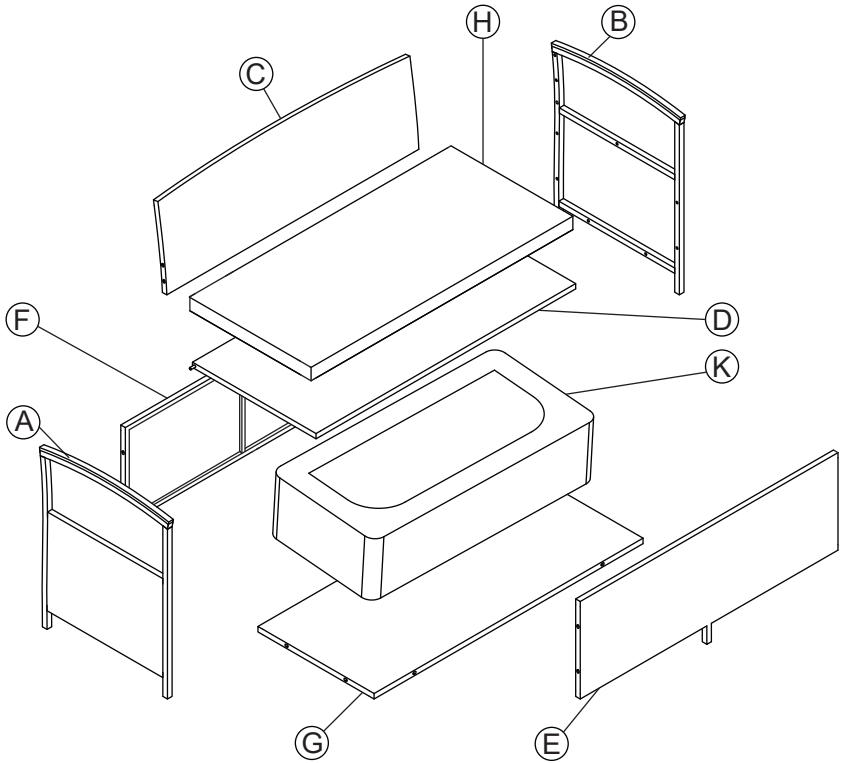


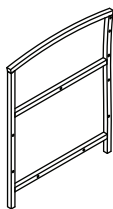


Before You Start

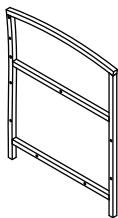
- ⚠ Please read all instructions carefully.
- ⚠ Retain instructions for future reference.
- ⚠ Separate and count all parts and hardware.
- ⚠ Read through each step carefully and follow the proper order.
- ⚠ We recommend that, where possible, all items are assembled near to the area in which they will be placed in use, to avoid moving the product unnecessarily once assembled.
- ⚠ Always place the product on a flat, steady and stable surface.
- ⚠ Keep all small parts and packaging materials for this product away from babies and children as they potentially pose a serious choking hazard.



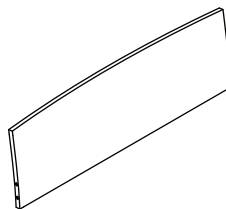
PARTS LIST



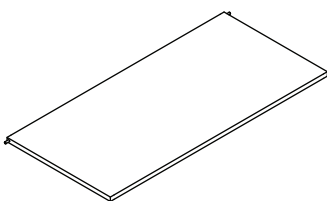
(A) x1



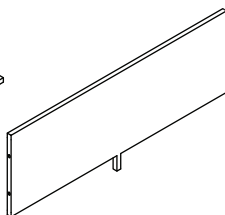
(B) x1



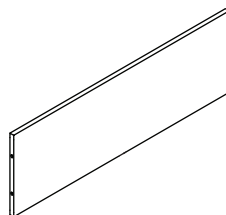
(C) x1



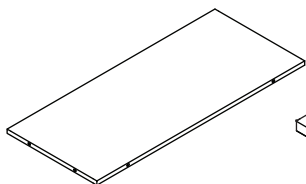
(D) x1



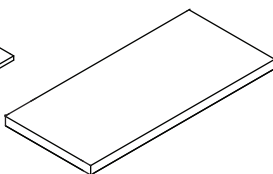
(E) x1



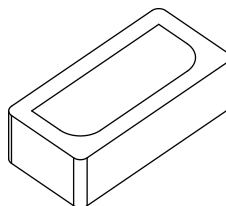
(F) x1



(G) x1

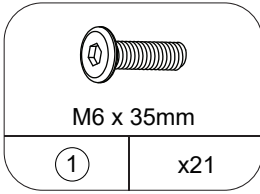


(H) x1

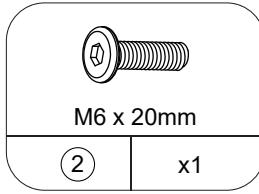


(K) x1

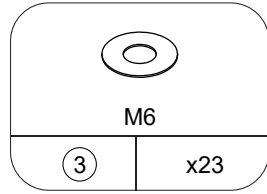
HARDWARE LIST



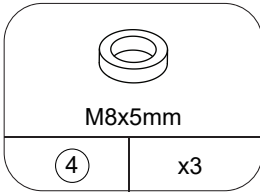
SCREW



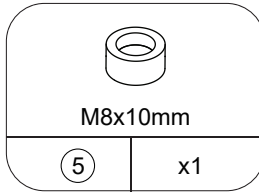
SCREW



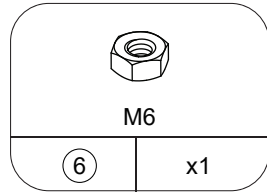
STEEL WASHER



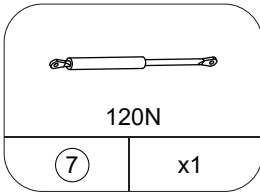
PLASTIC WASHER



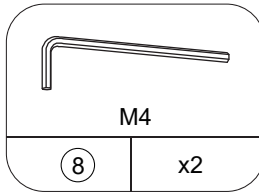
PLASTIC WASHER



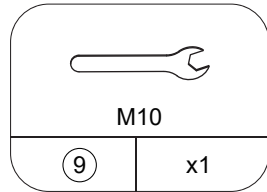
NUT



GAS STRUT

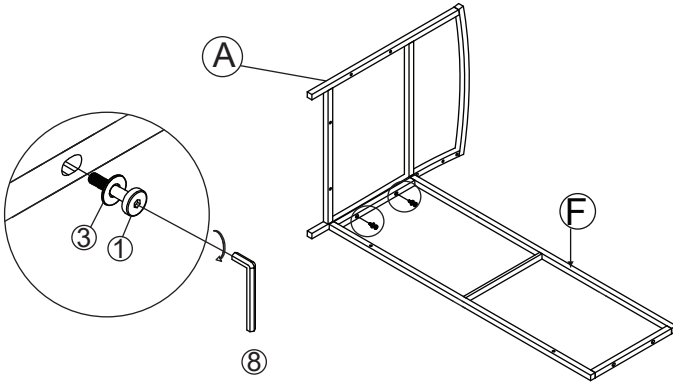
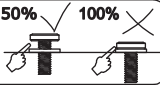


ALLEN KEY

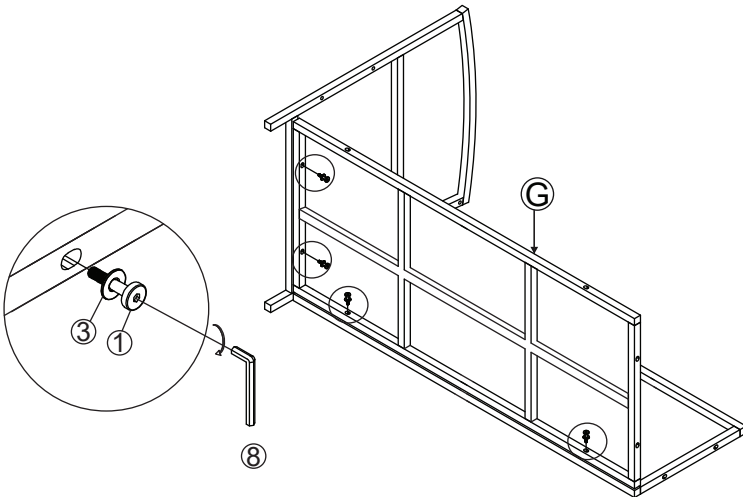
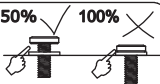
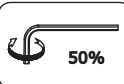


WRENCH

1



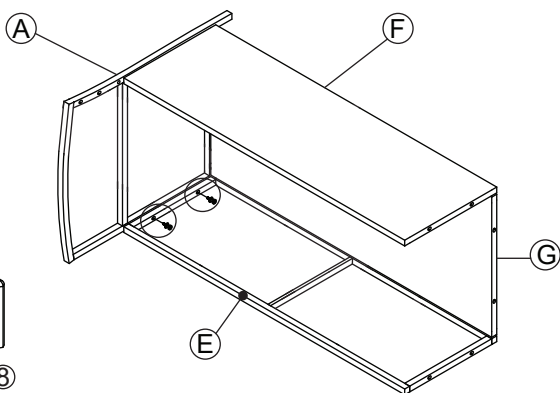
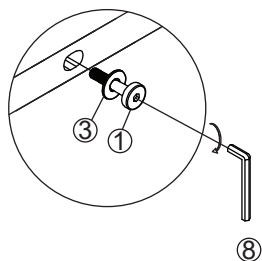
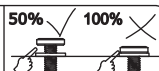
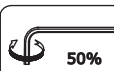
2



3

①x2

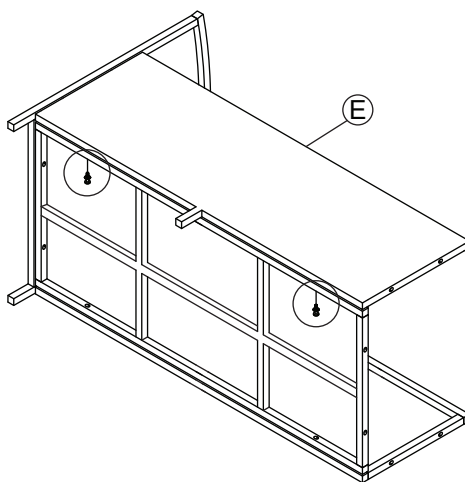
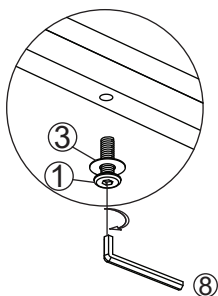
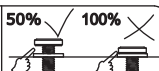
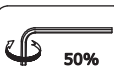
③x2



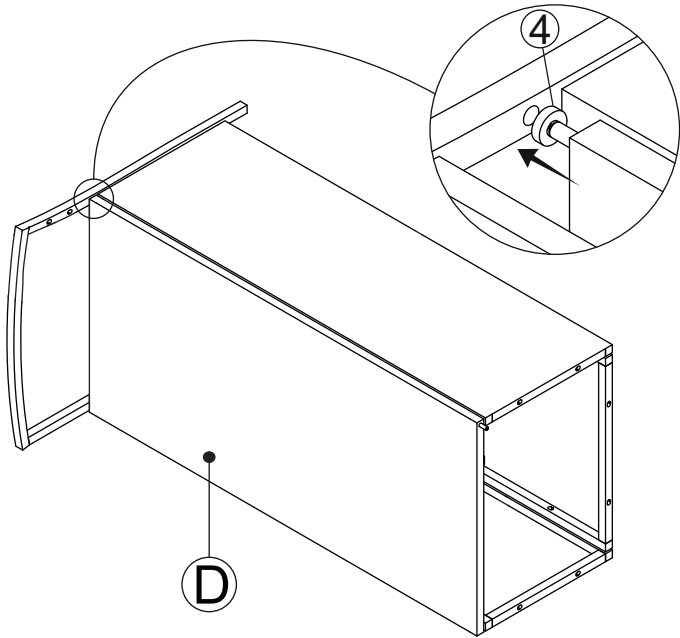
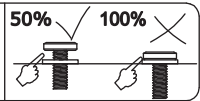
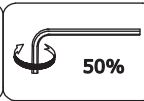
4

①x2

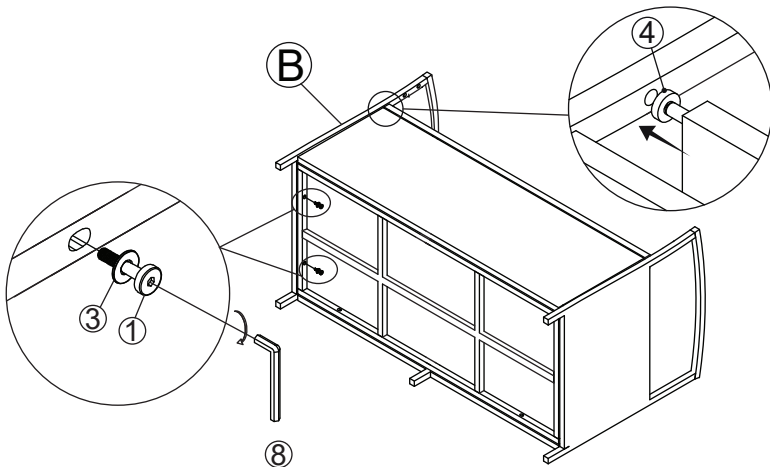
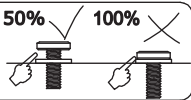
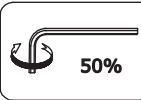
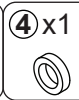
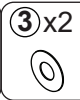
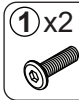
③x2



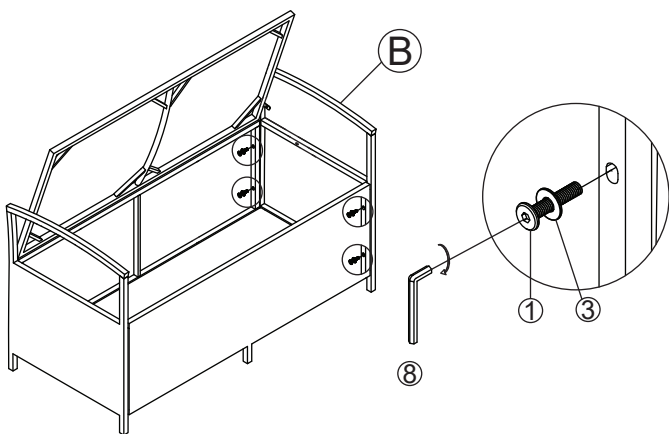
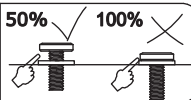
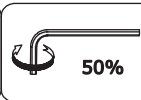
5






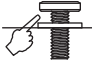






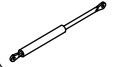
6

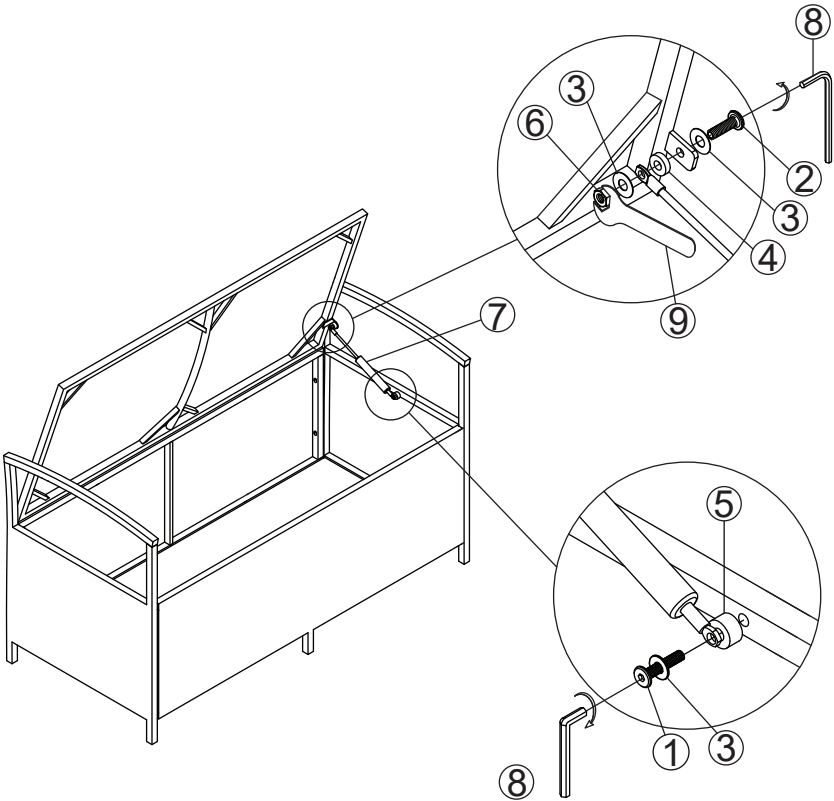


7



8

4 x1 	 50%		50%  100% 		
1 x1 	2 x1 	3 x3 	5 x1 	6 x1 	7 x1 



9

①x4



③x4

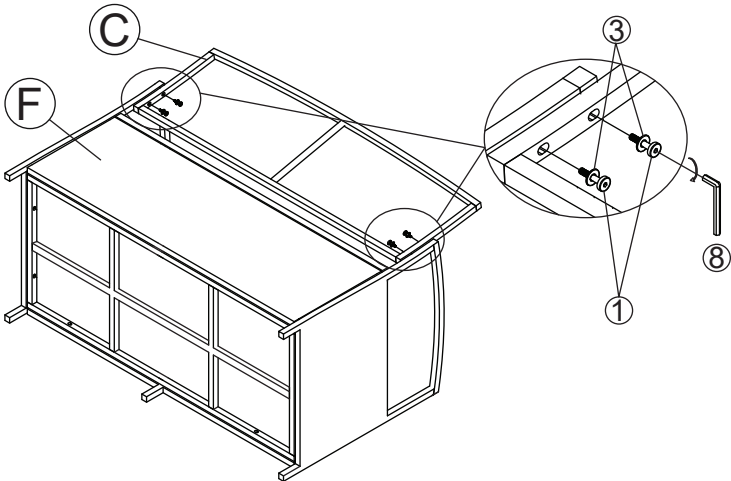
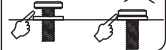


50%

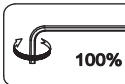


50%

100%



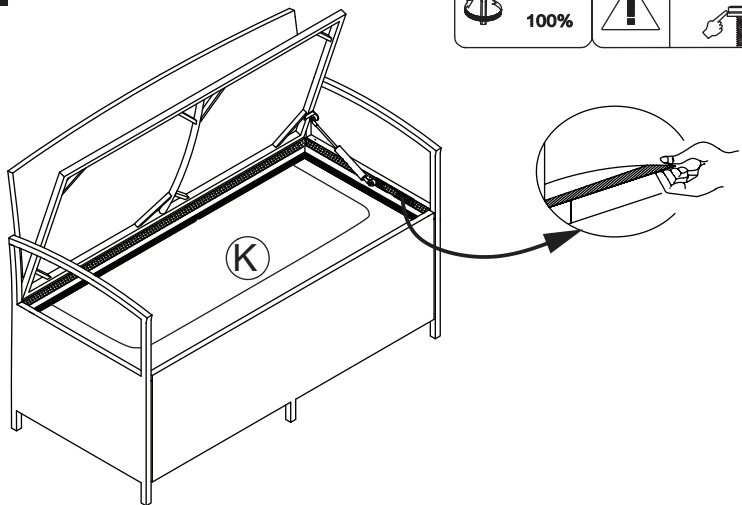
10

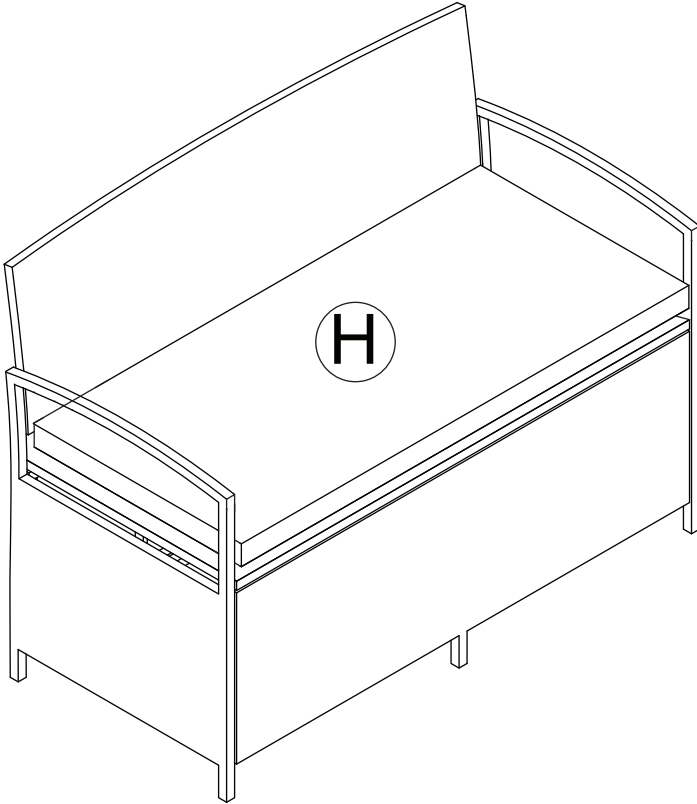


100%



100%





FINISH

