



Deck Tile Installation Guide

v20191220



IMPORTANT:

Read All Sections Before You Start

For the most up to date information, please visit our website @ www.newtechwood.com

Prior to installing any composite product, it is recommended that you check with local building codes for any special requirements or restrictions. The diagrams and instructions outlined in this guide are for illustration purposes only and are not meant or implied to replace a licensed professional. Any construction or use of NewTechWood must be in accordance with all local zoning and/or building codes. The consumer assumes all risks and liability associated with the construction and use of this product.

Safety

When dealing with any type of construction project, it is necessary to wear appropriate safety equipment to avoid any risk of injuries. NewTechWood recommends but is not limited to the following safety equipment when handling, cutting, and installing the Deck Tile: gloves, a respiratory protection, long sleeves, pants, and safety glasses.

Tools

Standard woodworking tools may be used. It is recommended that all blades have a carbide tip.

Environment

A clean, smooth, flat, and strong surface is needed to install Deck Tile correctly. Please check with local building codes before ever installing any type of decking. If installation does not occur immediately, NewTechWood's products need to be put on a flat surface at all times. Never ever should it be put on a surface that is NOT flat.

Static

Static can also be more prevalent in areas that are of higher altitude because the humidity is lower. For these areas, be careful of using conducive objects such as metal railing and chairs as static shocks might occur more often. A potential way to lower the amount of static shocks occurring is to apply Staticide (www.aclstaticide.com) on your deck or use anti-static mats before doorways. NewTechWood's products have been tested against EN 1815 - Assessment of Static Electrical Propensity and have received values under the maximum standard of 2kV.

Layout

Before installing the Deck Tile, always make sure that you are installing it on a clean smooth flat surface. The Deck Tile CANNOT be installed on places such as dirt, soil, or raised structure it must be laid out on a flat solid surface.

Continuous installations with dimensions longer than 30 feet (9144mm) in any direction are not recommended. If your installation is longer than 30 feet (9144mm) , use the Straight trim pieces as a breaker, positioned back to back to allow for proper expansion of the deck tiles, particularly when installing in temperatures less than 60°F. Leave a 1/4" (6mm) gap between the trim pieces for expansion of the deck tiles. Failure to include this break in installations longer than 30 feet (9144mm), may result in center tiles pushing up from the surface. If this occurs, you may disconnect the tiles in the middle and install the above break retroactively.

Installing Deck Tile:

The Deck Tile is relatively easy to install using its four side interlocking base making it very user friendly. Each side has two male and female connectors that connect to an adjacent tile, these connectors are circled in Diagram 1.

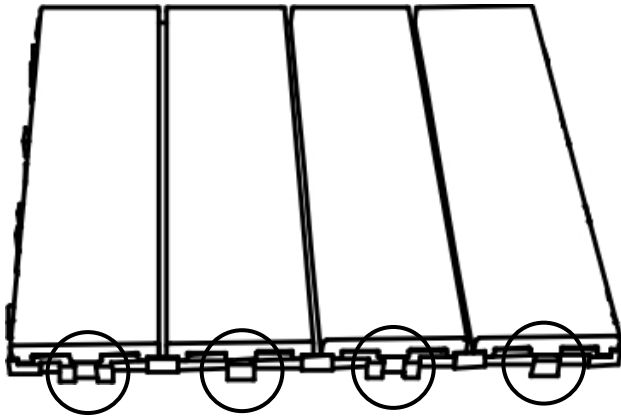


DIAGRAM 1

- 1 Place the first tile in a corner along the edge of the area you will be installing as shown in Diagram 2.

Note: There must be at least a 1/2 inch (13 mm) gap between walls or any object to allow for expansion and contraction. Failure to do so could result in warping of the tile, buckling, or other damage.

This gap must be respected even when a trim or fascia is used on the deck tile.

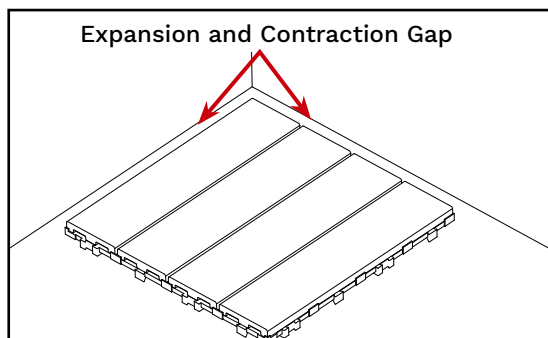


DIAGRAM 2

- 2 Next, take another tile and determine which type of pattern/style you like to do. Vertical is shown in Diagram 3 and horizontal is shown in Diagram 4.

Protip: Mix around the different styles (vertical and horizontal) to give your deck a unique look.

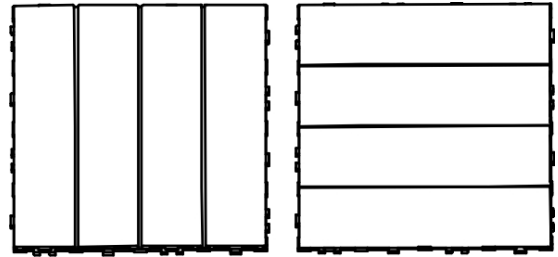


DIAGRAM 3

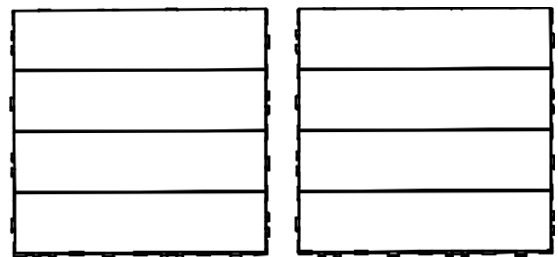


DIAGRAM 4

- 3 Now, take the second tile and align the connectors up with the first tile as shown in Diagram 5.

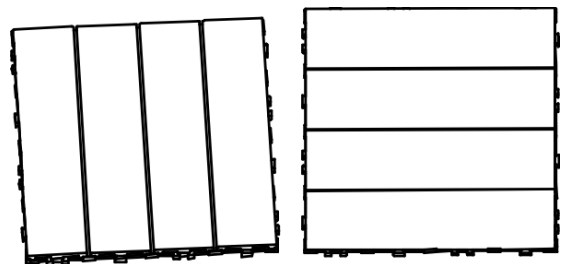


DIAGRAM 5

- 4 Then, attach the first two connectors into each other as shown in Diagram 6. You might need to lift up on one of the tiles to get a better grip.

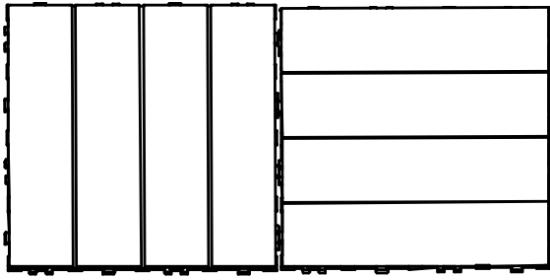


DIAGRAM 6

- 5 Finally, attach the last two connectors and push down to lock everything into place as shown in Diagram 7.

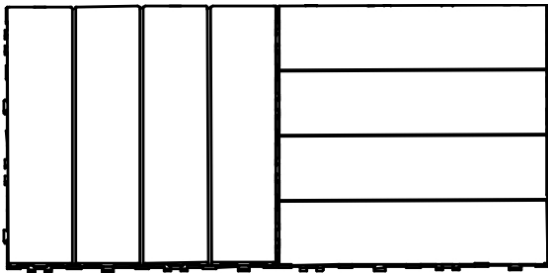


DIAGRAM 7

- 6 Repeat steps 1-5 until deck is completed.

Removing Tiles:

- 1 If a tile needs to be removed, the best way is to first have one hand grip one tile's edge and the other to be on the adjacent tile as shown in Diagram 8.

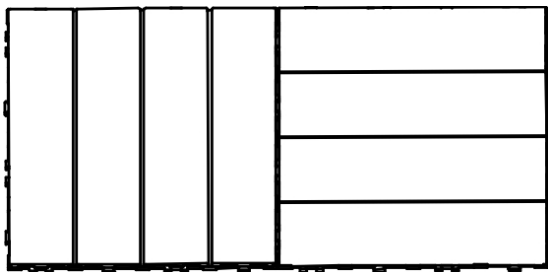


DIAGRAM 8

- 2 Next, with the gripping the tile pull up towards your body while the other hand pushes down on the adjacent tile as shown in Diagram 9.

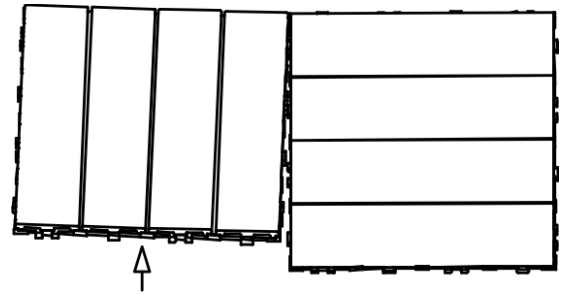


DIAGRAM 9

- 3 Continue to pull with the gripped hand until finally all connectors are separated from the adjacent tile as shown in Diagram 10.

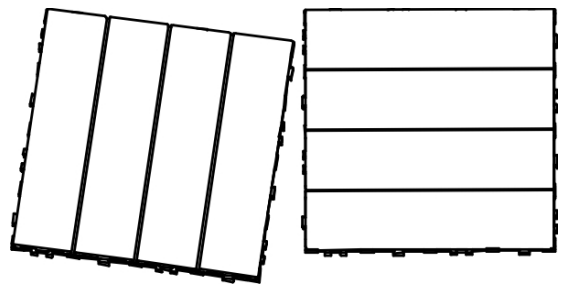


DIAGRAM 10

Cutting

Cutting the Deck Tile is simple and quick. Just remember that you need a carbide tip blade when cutting.

Corners/Edges

- 1 First, measure the corner/edge that will need to be cut as shown in Diagram 11.

Note: There must be at least a 1/2 inch (13 mm) gap between walls or any object to allow for expansion and contraction. Failure to do so could result in warping of the tile, buckling, or other damage.

This gap must be respected even when a trim or fascia is used on the deck tile.

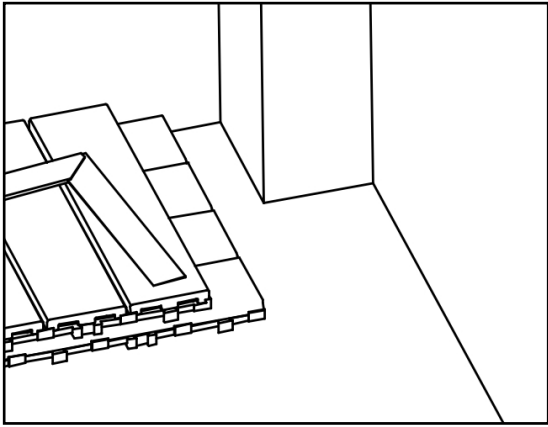


DIAGRAM 11

2 Next, take the piece and redraw the measured area that you will be cutting onto the Deck Tile.

3 Then, take the Deck Tile and cut either with a circular saw, table saw, hand saw, or jigsaw. Always remember to use a carbide tip blade on these tools as shown in Diagram 12 & 13. The final piece we cut for this corner is shown in Diagram 14.

Note: Before cutting, always turn the Deck Tile over and make sure that the cut lines you have marked on the Deck Tile do not cross over any screws on the back. Never ever should you be cutting through the screws. If your lines cross over these screws, first unscrew the screws and then cut the Deck Tile.

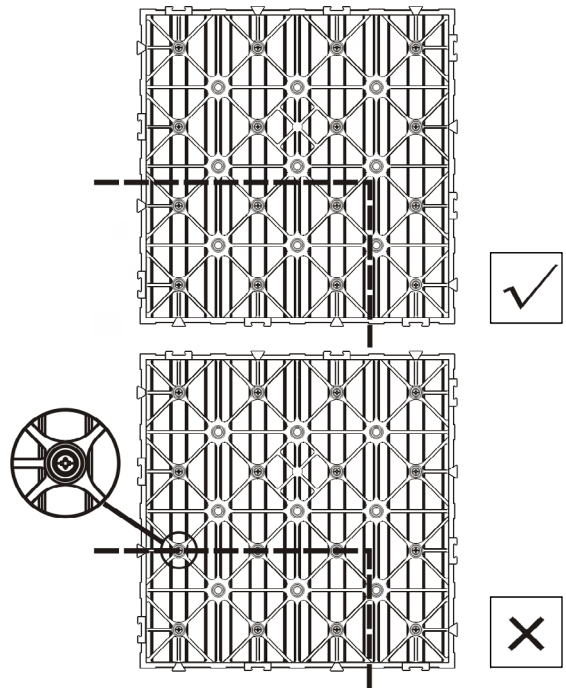
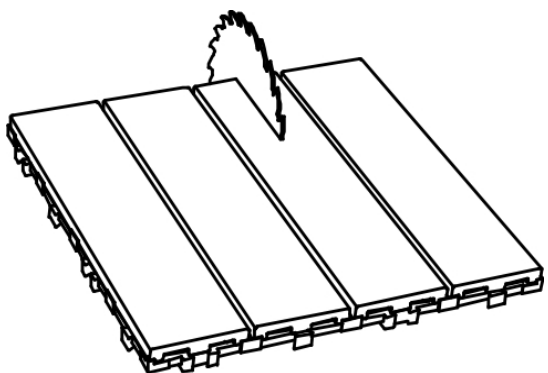


DIAGRAM 12

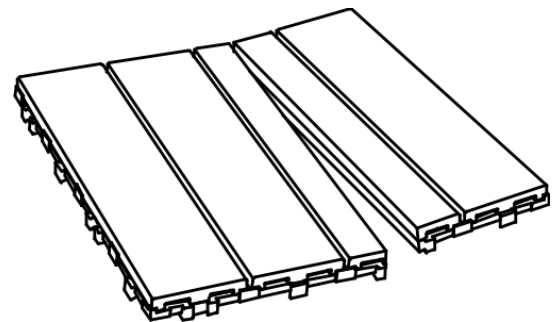


DIAGRAM 13

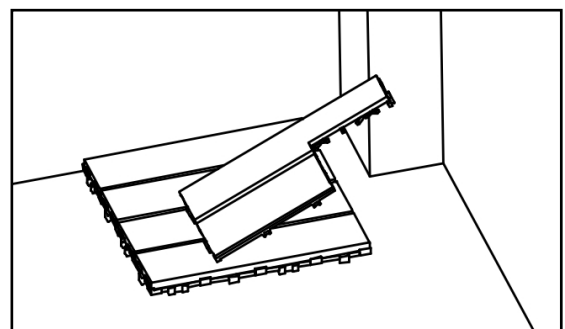


DIAGRAM 14

4 Now, take the Deck Tile and sand down the sides of the cuts to make them smooth as shown in Diagram 15.

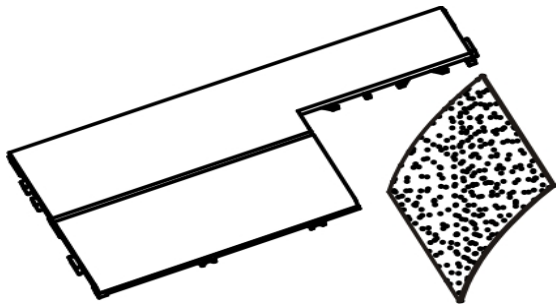


DIAGRAM 15

- 5 Finally, put the finished piece in its corner/ edge as shown in Diagram 16.

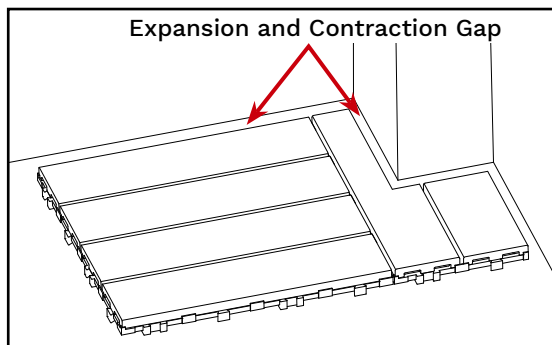


DIAGRAM 16

- 6 Repeat steps 1-5 for any other corners/ edges until the deck is completed.

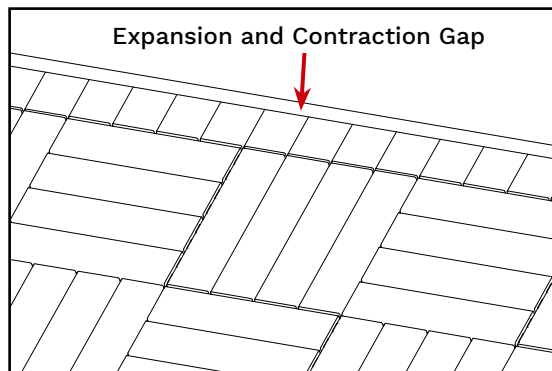


DIAGRAM 17

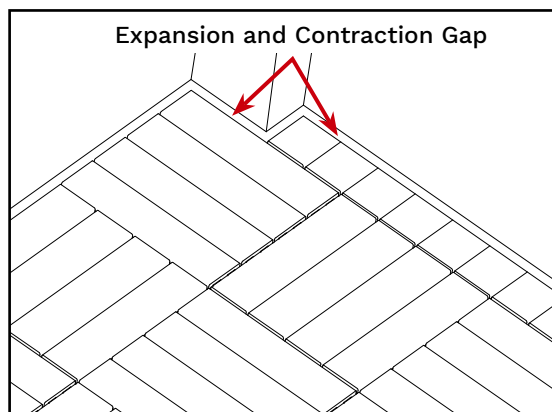


DIAGRAM 18

Note: There must be at least a 1/2 inch (13 mm) gap between walls or any object to allow for expansion and contraction. Failure to do so could result in warping of the tile, buckling, or other damage.

This gap must be respected even when a trim or fascia is used on the deck tile.

Installing Fascia

The Deck Tile has three different fascia options: straight, inward and outward fascia.

Straight Fascia

Place the straight fascia as shown in Diagram 19 to finish the deck.

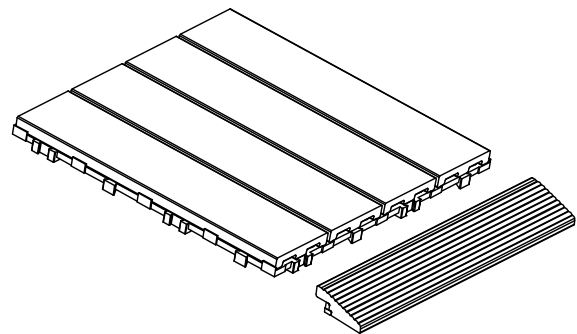


DIAGRAM 19

Outward Fascia

Place the outward fascia as shown in Diagram 20 to finish the deck's corner.

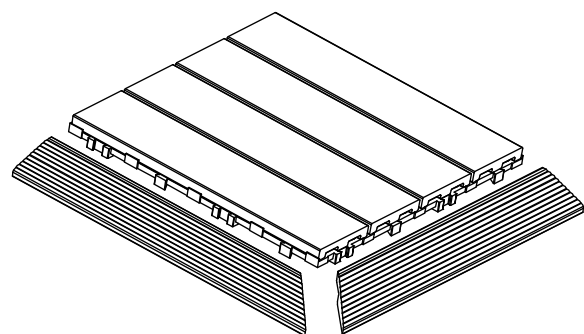


DIAGRAM 20

Inward Fascia

Place the inward fascia as shown in Diagram 21 to finish the deck's corner.

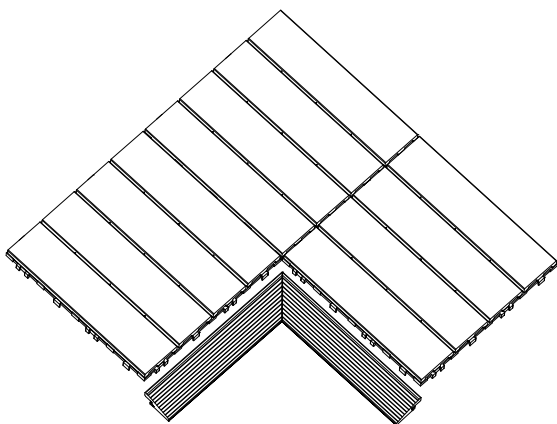


DIAGRAM 21

Installing Trim

The Deck Tile has three different trim options: straight, inward and outward trim.

Straight Trim

Place the straight trim as shown in Diagram 22 to finish the deck.

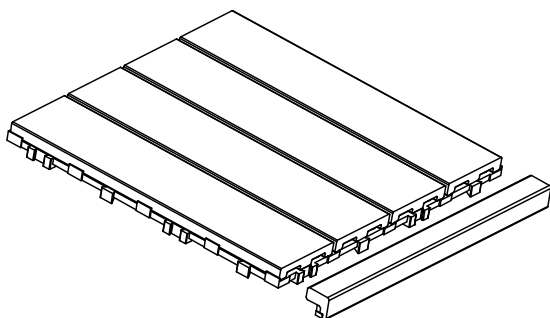


DIAGRAM 22

Outward Trim

Place the outward trim as shown in Diagram 23 to finish the deck's corner.

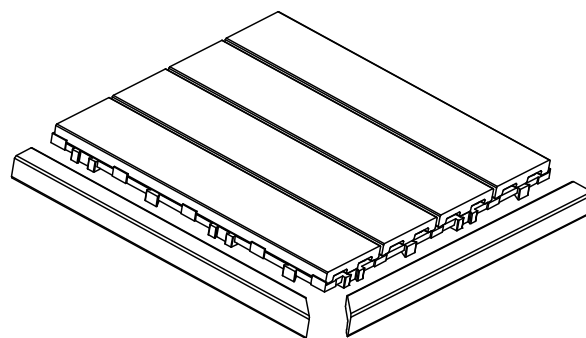


DIAGRAM 23

Inward Trim

Place the inward trim as shown in Diagram 24 to finish the deck's corner.

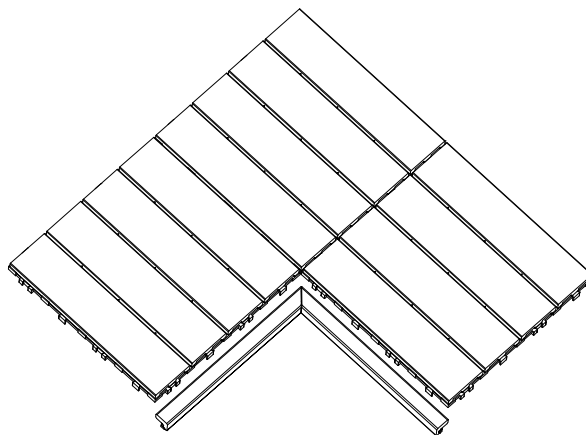


DIAGRAM 24

Installing Deck Tile Stair Trim:

- 1 First figure out what kind of material you are laying your quick deck over.

We will go over three different types of material:

- a. Wood
- b. Metal
- c. Concrete

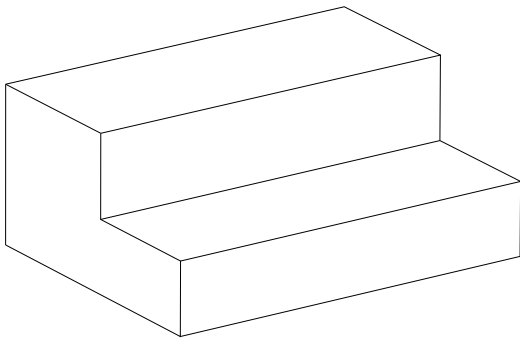


DIAGRAM 25

a. Wood

For wood #6 wood screws that are 1" (25.4 mm) will be used to fasten the stair trims grid to the wood as shown in Diagram 26.

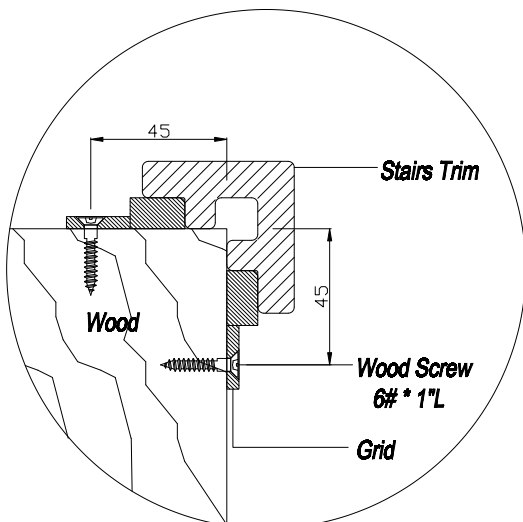


DIAGRAM 26

b. Metal

For metal #6 drilling screws that are 3/4" (19 mm) will be used to fasten the stair trims grid to the metal as shown in Diagram 27.

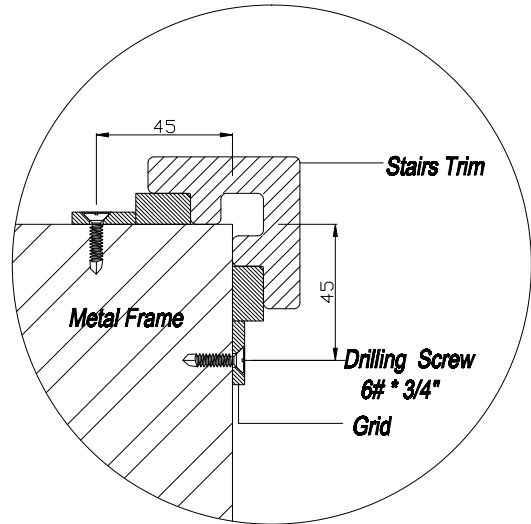


DIAGRAM 27

c. Concrete

For concrete a combination of #6 wood screws that are 1 1/2" (38 mm) and a plastic anchor will be used to fasten the stair trims grid to the concrete as shown in Diagram 28.

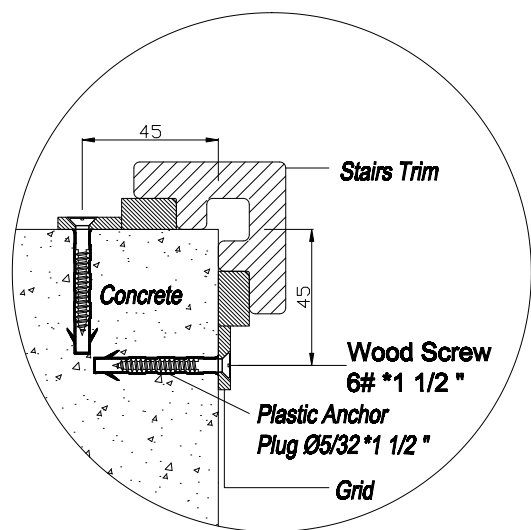


DIAGRAM 28

- 2 After figuring out which material you will be installing your stair trim on start installing as shown in Diagram 29. Ensure that when installing more than one stair trim that the gap between the stair trim is similar to that of the deck tile for an overall even look and also to allow for expansion and contraction.

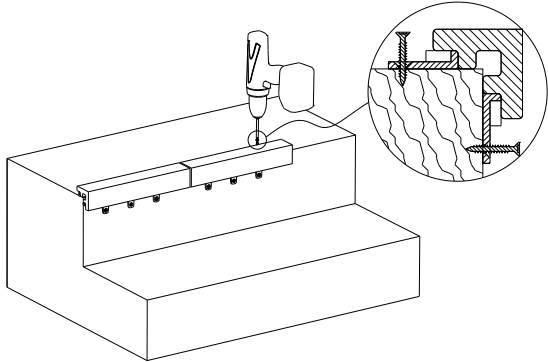


DIAGRAM 29

- 3 If the stair trim does not fit exactly it will need to be cut down to size. First measure the remaining distance as shown in Diagram 30.

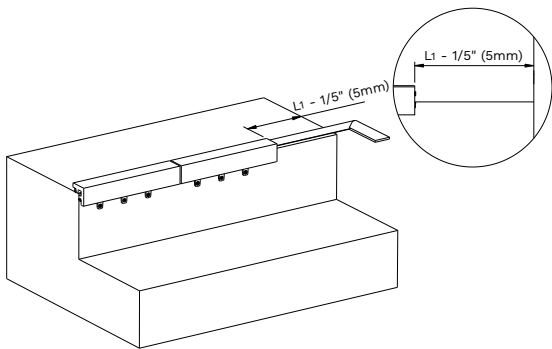


DIAGRAM 30

- 4 Next take your measurement and mark it on the stair trim and cut accordingly as shown in Diagram 31.

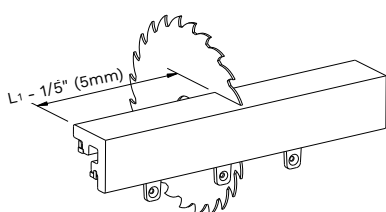


DIAGRAM 31

- 5 Install the cut stair trim as shown in Diagram 32.

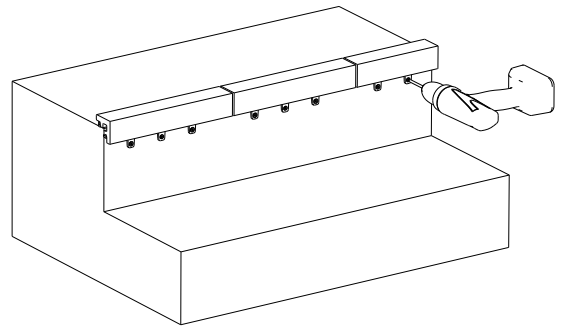


DIAGRAM 32

- 6 Install the rest of the stairs with stair trims as show in Diagram 33 if there are multiple stair treads present.

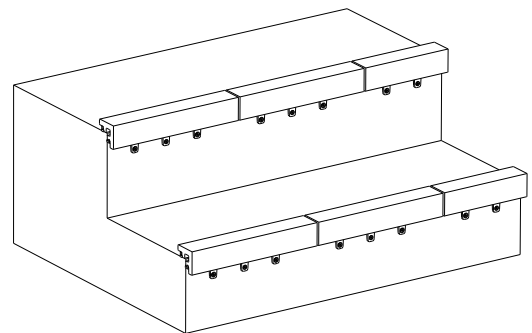


DIAGRAM 33

- 7 Now the deck tiles can be installed onto the stair trims as shown in Diagram 34.

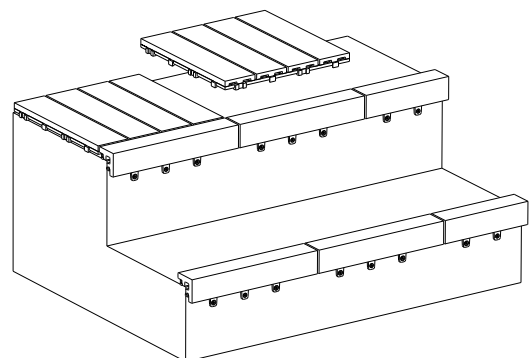


DIAGRAM 34

- 8 If your tile needs to be cut as shown in Diagram 35 ensure that the screws are taken out if the cut you are making is directly over the screws on the grid.

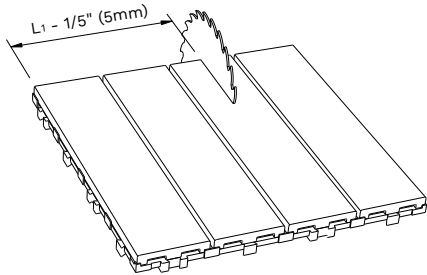


DIAGRAM 35

- 9 Install the cut deck tile as shown in Diagram 36.

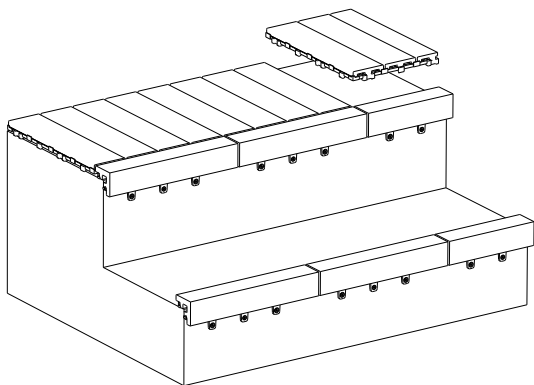


DIAGRAM 36

- 10 Next the riser and stair tread needs to be installed with deck tiles.

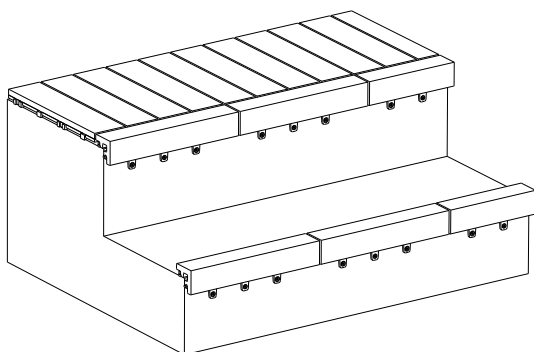


DIAGRAM 37

- 11 First measure the risers and stair treads as shown in Diagram 38.

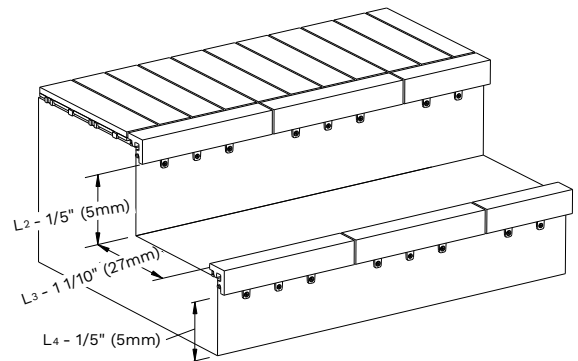


DIAGRAM 38

- 12 Cut the deck tiles to fit on the risers and stair treads as shown in Diagram 39. If you are cutting a line where the screws are fixed on the grid first unscrew the screws on the grid and then cut.

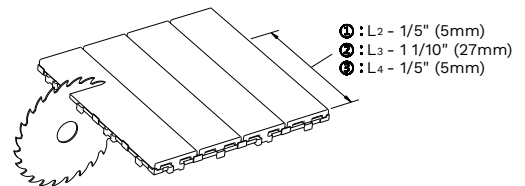


DIAGRAM 39

- 13 Next install the tiles cut for the riser as shown below in Diagram 40. The female male connection parts of the riser tile will interlock with the grid from the stair tile.

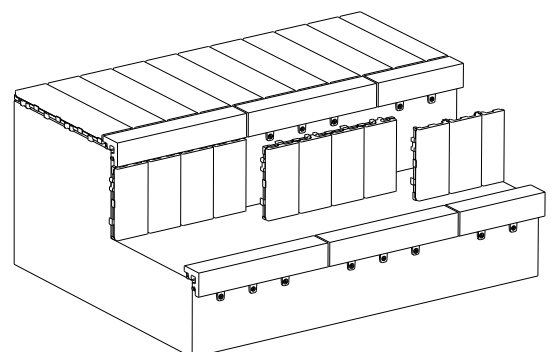


DIAGRAM 40

- 14** Next install the tiles cut for the stair treads as shown in Diagram 41. The female male connection parts of the tiles for the stair treads will interlock with the grid from the stair tile.

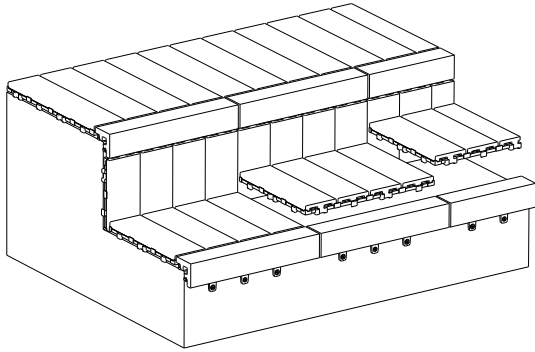


DIAGRAM 41

- 15** Repeat steps 11 and 12 for remaining stair treads and risers as shown below in Diagram 42.

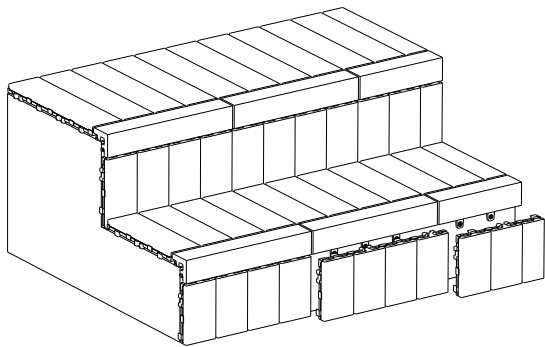


DIAGRAM 42

- 16** Diagram 43 shows a completed staircase with the stair trims along with the tiles.

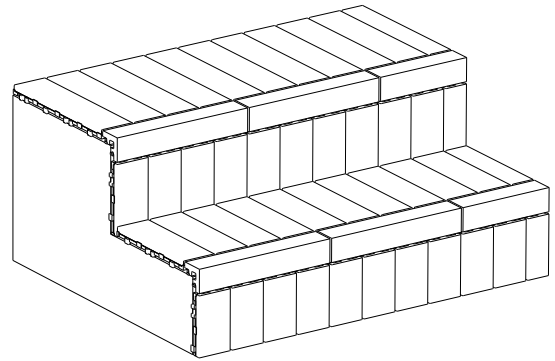


DIAGRAM 43



Deck Tile Installation Guide

v20191220

©2019 Huidong Meixin Plastic Lumber Products Manufacturing Co., Ltd.
NewTechWood® is a registered trademark of Huidong Meixin Plastic Lumber Products Manufacturing Co., Ltd. To obtain a copy of the most current version of this installation guide, visit us online at www.newtechwood.com.

