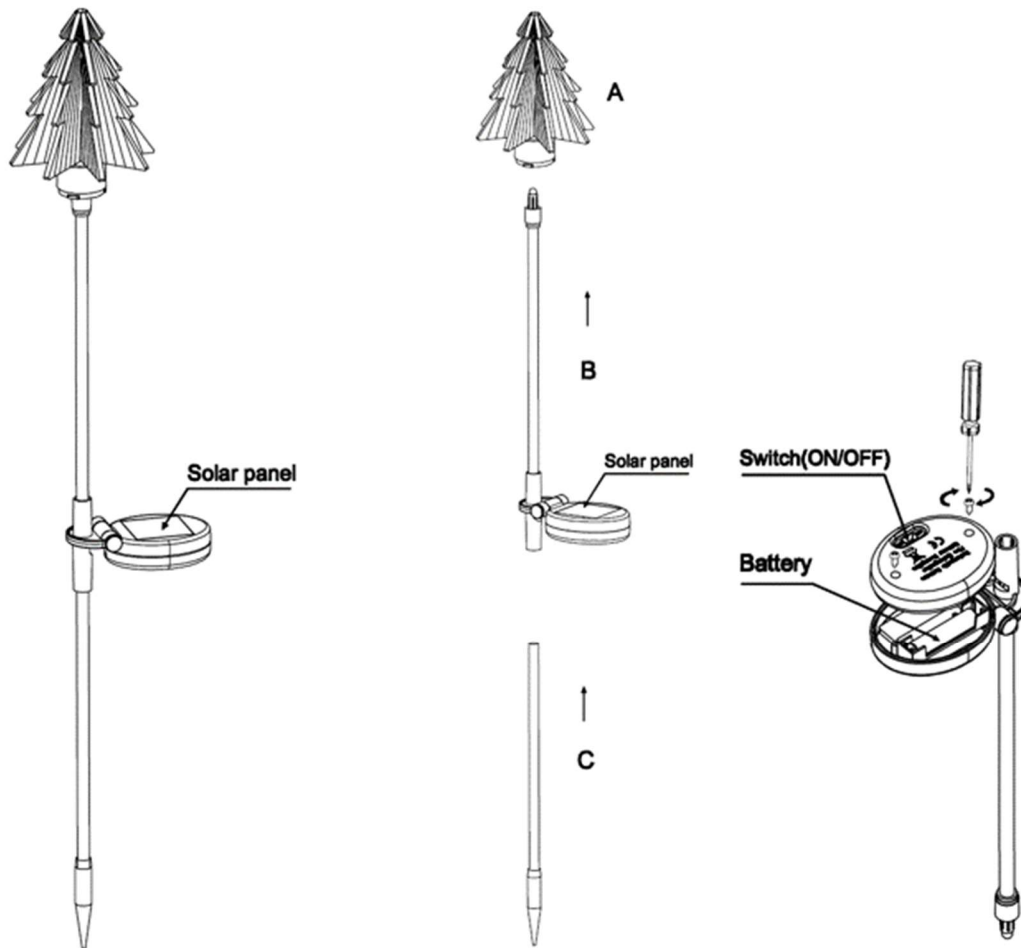


<b>Product Name:</b>	3D Tree Solar Light Stake
<b>SKU #:</b>	WHSL474

Thank you for purchasing this Winsome House product. This product has been manufactured with the highest standards of safety and quality.



### Instructions:

- First assemble the solar light. Make sure that the solar panel is facing up.
- The on/off switch is located on the underside of the solar panel. To use, turn the on/off switch to the on position.
- For best results, allow to charge in direct sunlight for a minimum of 8 hours.
- After fully charged, product will automatically light at night when turned on.
- To extend battery life, turn to the off position when not in use.
- To replace the battery, use a screwdriver to unscrew the bottom panel from the solar light. Replace rechargeable battery with the same type of battery.
- Battery: Rechargeable AAA Ni-Mh 200mAh 1.2V 1pc (included)



## Instruction Manual

Please save this manual for future reference.

<b>Product Name:</b>	3D Tree Solar Light Stake
<b>SKU #:</b>	WHSL474

### ***Trouble Shooting Tips:***

If your solar light does not turn on at night, it may be caused by the following:

- Check to see if the switch is in the “OFF” position.

**Resolution:** Push the switch to the “ON” position and allow the solar light to be charged for at least 8 hours in direct sunlight.

- Battery may not be fully charged.

**Resolution:** Make sure the solar light is placed in an area where the solar panel receives the maximum amount of full direct sunlight every day.

- The solar light may be located too close to other light sources (such as porch light or street lantern).

**Resolution:** Relocate away from external light source.

- The rechargeable battery may need to be replaced.

**Resolution:** Replace with batteries of identical specification.

