

ITEM #5691966
5691967

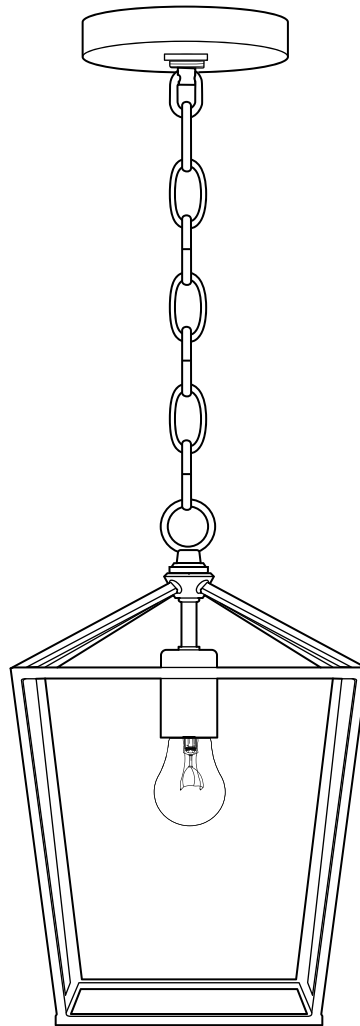
MODEL #CP102BNK
CP102GD

PENDANT LIGHT

Español p. 10

ATTACH YOUR RECEIPT HERE

ADJUNTE SU RECIBO AQUÍ



Purchase Date _____



800192

APPROVED FOR USE
IN DAMP LOCATIONS

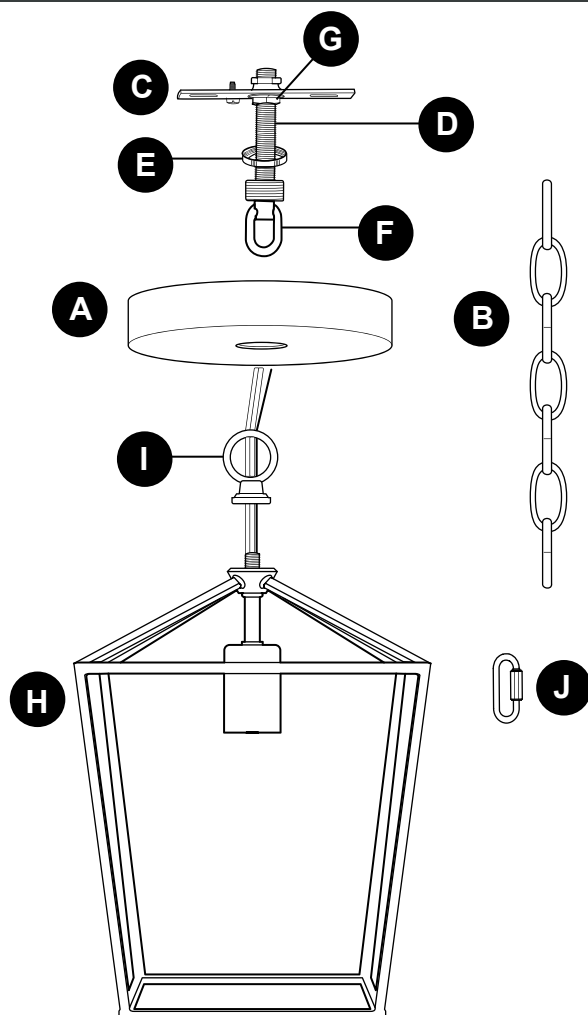
Questions, problems, missing parts? Before returning to your retailer, call our customer service department at **800-527-1292**, 8:30 a.m. - 5 p.m., CST, Monday - Friday.

TABLE OF CONTENTS

Package Contents	2
Hardware Contents	3
Safety Information	3
Preparation	4
Assembly Instructions	5
Care and Maintenance	9
Troubleshooting	9
Warranty	9

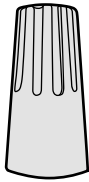
PACKAGE CONTENTS

PART	DESCRIPTION	QUANTITY
A	Canopy	1
B	Chain	1
C	Mounting Strap	1
D	Threaded Rod (preassembled to mounting strap (C))	1
E	Threaded Ring (preassembled to threaded rod (D))	1
F	Screw Collar Loop (preassembled to threaded rod (D))	1
G	Hex Nut (preassembled to threaded rod (D))	1
H	Fixture	1
I	Fixture Loop (preassembled to fixture (H))	1
J	Connecting Chain Link (preassembled to chain (B))	2



HARDWARE CONTENTS (shown actual size)

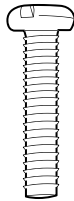
AA



Wire
Connector

Qty. 3

BB



Machine
Screw

Qty. 2

SAFETY INFORMATION

READ AND SAVE THESE INSTRUCTIONS.

DANGER

- For your protection and safety, carefully read and understand the information provided in this manual completely before attempting to assemble, install or operate this product. Failure to do so could lead to electrical shock, fire or other injuries that could be hazardous or even fatal.
- DO NOT connect this fixture to an electrical system that does not provide a means for equipment grounding. Never use a fixture in a two-wire system that is not grounded. Installing a fixture into an electrical system not having a proper grounding means could cause metal parts of the fixture to carry electrical currents if any of the fixture wires, wire connections or splices were to become broken, cut or loose during the mounting or normal operation of the fixture. Under this condition, anyone coming in contact with the fixture would be subject to electrical shock, which could cause serious injury or death.
- DO NOT connect the bare or green insulation fixture ground wire to the black (HOT) current-carrying wire or the white (NEUTRAL) house wire. Connection of the bare or green fixture ground wire to the black or white house wires may cause metal parts of the fixture to carry electrical currents. Under this condition anyone coming in contact with the fixture will receive electrical shock, which could cause serious injury or death.
- DO NOT damage or cut the wire insulation (covering) during installation of fixture. DO NOT permit wires to contact any surface having a sharp edge. To do so may damage or cut the wire insulation, which could cause serious injury or death from electrical shock.

WARNING

- All electrical connections must be in agreement with local codes and ordinances, the National Electric Code (NEC) and ANSI/NFPA 70-1999. Contact your municipal building department to learn about your local codes, permits and/or inspections. Risk of fire - most dwellings built before 1985 have supply wire rated for 140 °F. Consult a qualified electrician before installation.
- To avoid personal injury, the use of gloves may be necessary while handling fixture parts with sharp edges.

SAFETY INFORMATION

WARNING

- DO NOT suspend any fixture by the house wires. A fixture must always be mounted directly to an outlet box or to a mounting strap which is first attached to the outlet box. All fixtures must be mounted to an outlet box that is supported by the building structure. Wire connectors will not support the weight of a fixture. Suspending a fixture by the house wires and wire connectors will result in the fixture falling, with the possibility of personal injury and the danger of electrical shock or fire.
- To reduce the risk of fire, electrical shock, or personal injury, wire connectors provided with this light fixture are designed to accept only one 12-gauge house wire and two lead wires from the light fixture. If your house wire is larger than 12-gauge or there is more than one house wire to connect to the corresponding fixture lead wires, consult an electrician for the proper size wire connectors to use.

CAUTION

- TURN OFF ELECTRICITY at main fuse box (or circuit breaker box) before beginning installation by removing the fuse (or switching the circuit breaker off).
- If you are not sure the lighting system has a grounding means, DO NOT attempt to install this fixture. Contact a qualified, licensed electrician for information regarding the proper grounding methods as required by the local electrical code in your area.
- DO NOT use bulb having a wattage greater than the maximum value stated on the fixture. The use of a bulb with higher wattage than specified will increase temperatures and risk of fire.
- If a dimmer control switch is used with this fixture, obtain professional advice to determine the correct type to use as well as the electrical rating required.
- All fixtures must be mounted to an outlet box that is supported by the building structure.

PREPARATION

Before beginning assembly of product, make sure all parts are present. Compare parts with package contents list and hardware contents list. If any part is missing or damaged, do not attempt to assemble the product.

Estimated Assembly Time: 30-45 minutes

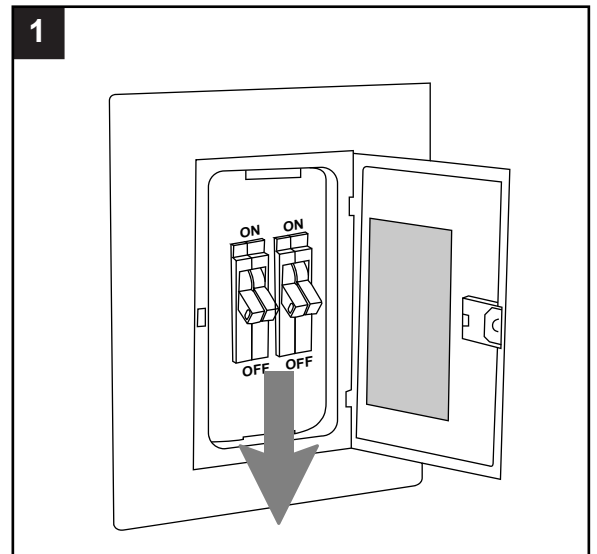
Tools Required for Assembly (not included): Flathead screwdriver, Phillips screwdriver, wire strippers, pliers, wire cutters, safety glasses, stepladder, electrical tape

Helpful Tools (not included): A/C tester light, do-it-yourself guide, soft cloth

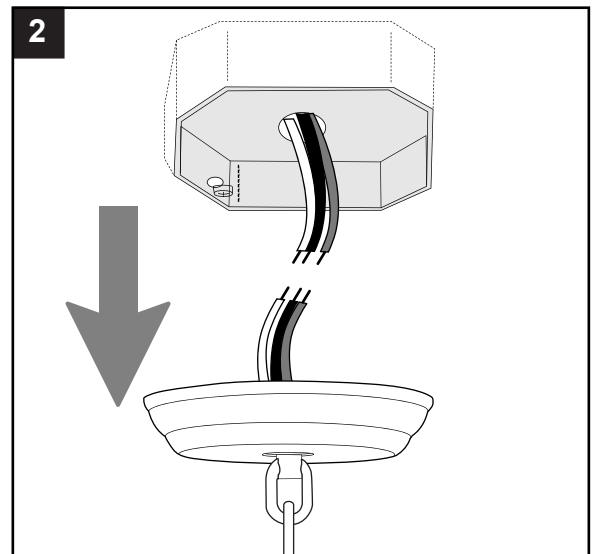
ASSEMBLY INSTRUCTIONS

1. Turn off circuit breakers and wall switch to the fixture supply line leads.

⚠ DANGER: Failure to disconnect power supply prior to installation may result in serious injury or death.



2. Remove existing fixture and disconnect all electrical wiring.

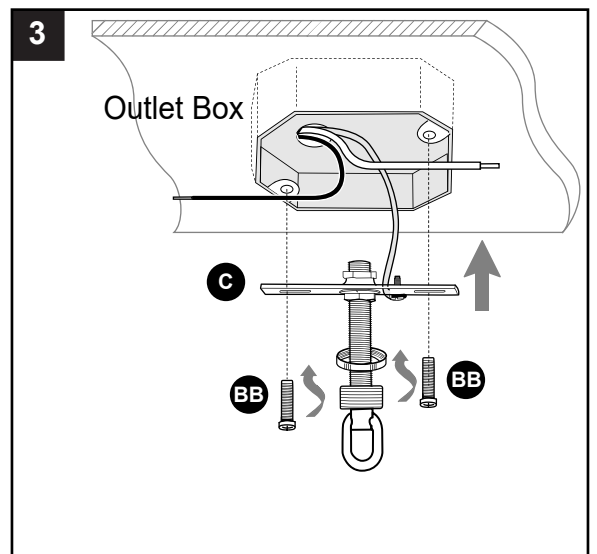


3. Attach mounting strap (C) to outlet box (not included) using the existing washers and outlet box screws or the machine screws (BB).
NOTE: If the outlet box screws required for your outlet box are of a different size than the machine screws (BB), consult with a licensed electrician before proceeding. Tighten machine screws (BB) completely to secure mounting strap (C).

⚠ CAUTION: The fixture must be mounted to an outlet box that is supported by the building structure. Plastic outlet boxes are not recommended.

Hardware Used

BB Machine Screw  x 2



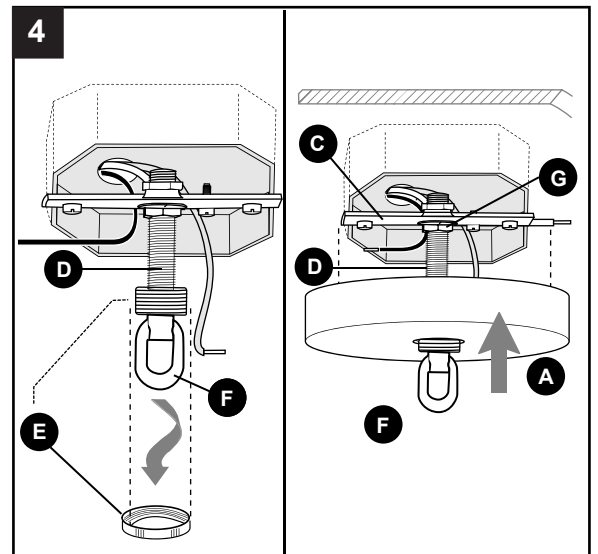
ASSEMBLY INSTRUCTIONS

- Remove threaded ring (E) from screw collar loop (F) and save for later use.

Temporarily place canopy (A) over mounting strap (C) to determine amount of adjustment necessary for threaded rod (D).

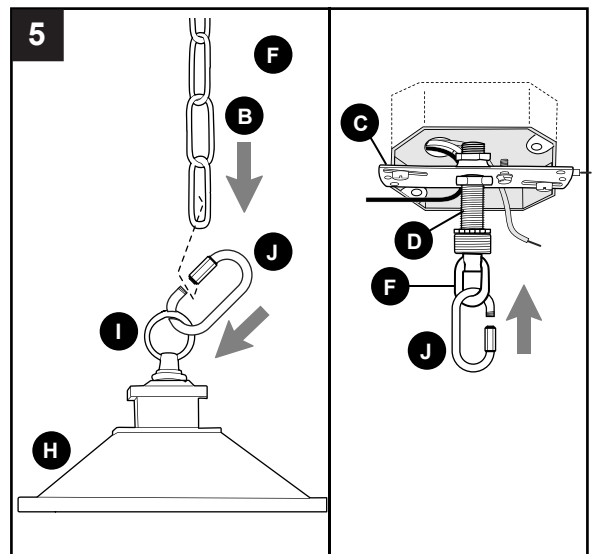
NOTE: Canopy (A) should fit flush against ceiling when mounted. Once threaded rod (D) is adjusted, tighten hex nut (G) securely against mounting strap (C).

Set canopy (A) aside.



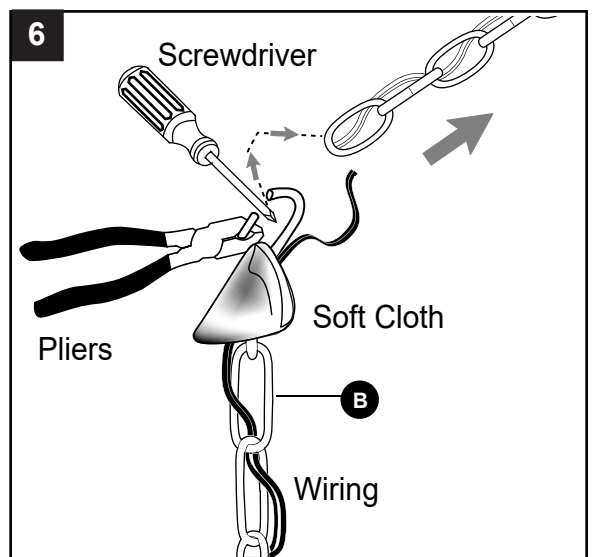
- Attach one connecting chain link (J) to fixture loop (I) and close this connecting chain link (J).

Hook the other connecting chain link (J) to the screw collar loop (F) at the bottom of threaded rod (D) on mounting strap (C)--leave this connecting chain link (J) open for now.



- Determine the hanging length for fixture (H). Use pliers, a flathead screwdriver and a soft cloth (all not included) to open the link of chain (B) at length chosen. Remove any extra chain (B) at this time.

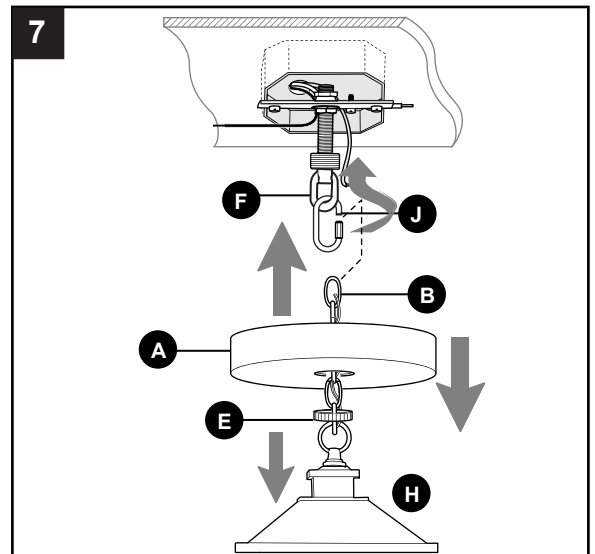
Feed wiring from fixture (H) up through chain (B) to pre-determined length.



ASSEMBLY INSTRUCTIONS

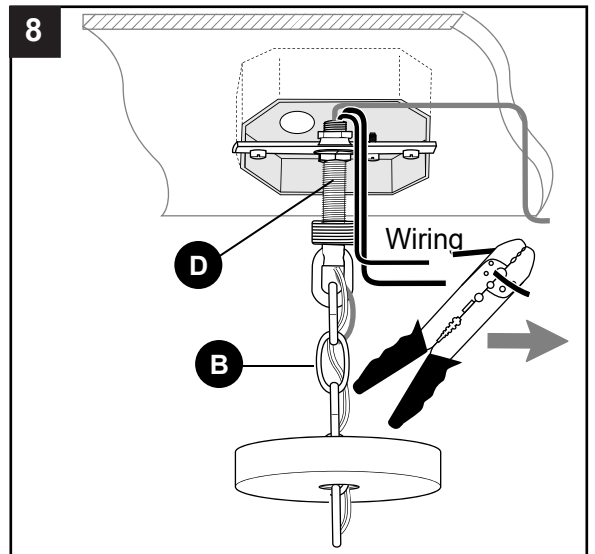
7. Feed chain (B) and wiring through threaded ring (E) and then canopy (A), allowing threaded ring (E) and canopy (A) to slide down the chain (B) until they reach the top of fixture (H).

Lift chain (B) toward screw collar loop (F) and hang chain (B) on connecting chain link (J). Close connecting chain link (J).



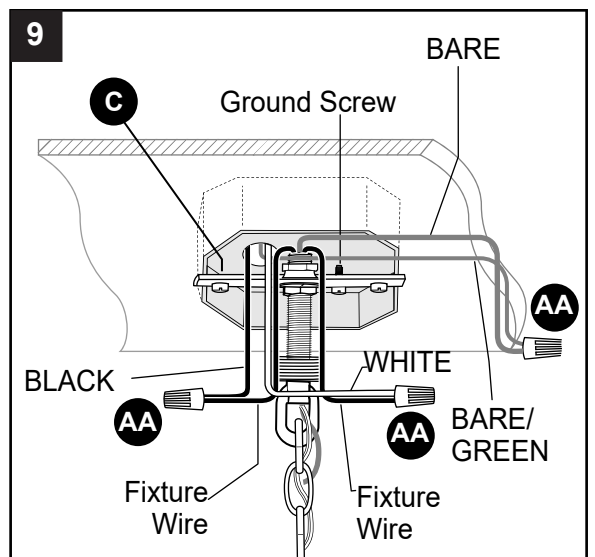
8. Feed wiring up through hole at bottom of threaded rod (D). Gently push wiring until it comes through top of threaded rod (D). Pull all wiring until there is no extra slack left in the wires running through the chain (B).

Prepare wire by stripping 3/4 in. of insulation from wire ends using wire strippers (not included).




9. Connect one of the wires from fixture (H) to the BLACK wire from outlet box using wire connector (AA). Connect the other wire from fixture (H) to the WHITE wire from outlet box using wire connector (AA). Connect BARE/GREEN wire from outlet box to BARE ground wire from fixture (H) using wire connector (AA).

NOTE: If outlet box does not have a BARE/GREEN wire, the BARE ground wire from fixture (H) should be attached to the GREEN SCREW (labeled GND) on mounting strap (C).



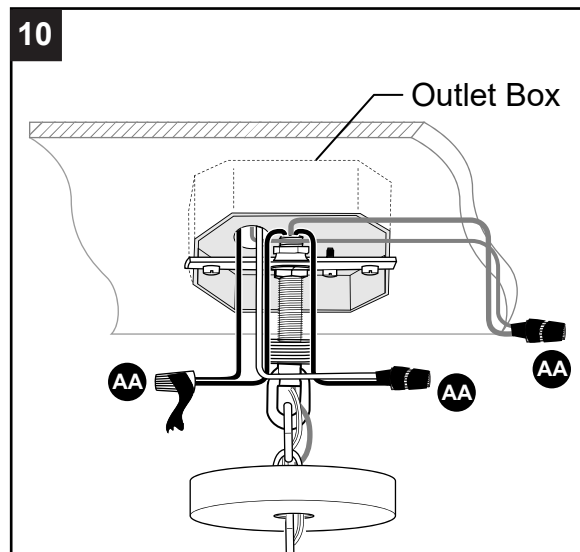
Hardware Used

- AA** Wire Connector  x 3

ASSEMBLY INSTRUCTIONS

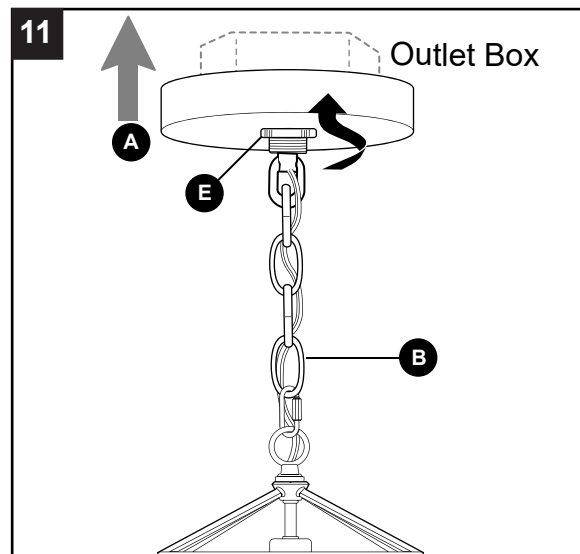
10. Wrap electrical tape (not included) around each individual wire connector (AA) down to the wire.

⚠ WARNING: Make sure no bare wire or wire strands are visible after making connections.



11. Carefully arrange excess wiring and wire connectors (AA) within outlet box.

Slide canopy (A) and threaded ring (E) up the chain (B). Secure canopy (A) to mounting strap (C) by tightening the threaded ring (E).

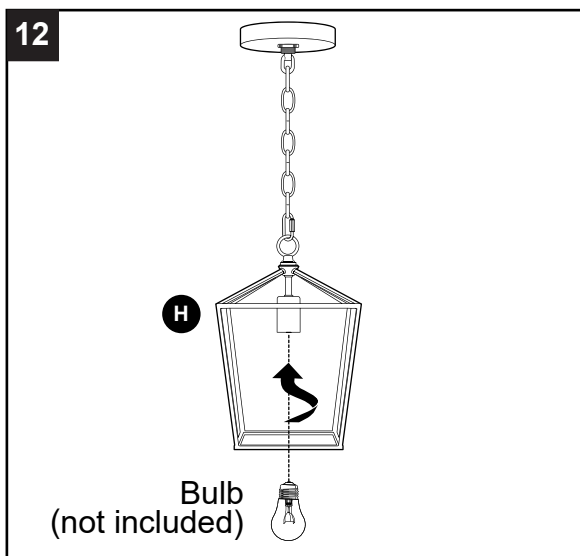


12. Install one 60-watt max. standard-base incandescent bulb (not included) or CFL/LED equivalent.

⚠ CAUTION: When replacing bulb, please allow bulb and shade to cool down before touching.

Restore power and test fixture (H).


If light does not function, please refer to TROUBLESHOOTING on the next page.



CARE AND MAINTENANCE

- Shut off main power supply. Wipe fixture with a soft, damp cloth. Do not use an abrasive cleaner on fixture.

TROUBLESHOOTING

 **WARNING:** Before beginning work, shut off the power supply to avoid electrical shock.

PROBLEM	POSSIBLE CAUSE	CORRECTIVE ACTION
Bulb will not light.	<ol style="list-style-type: none">1. Power is OFF.2. Faulty connection.3. Bulb is burned out.	<ol style="list-style-type: none">1. Make sure power supply is ON.2. Check wiring and all connections.3. Replace bulb.
Fuse blows out or circuit breaker trips.	<ol style="list-style-type: none">1. Crossed wires.2. Power wire is grounding out.	<ol style="list-style-type: none">1. Check wiring.2. Check all connections.

WARRANTY

The distributor warrants all of its lighting fixtures against defects in materials and workmanship for five (5) years from the date of purchase. If within this period the product is found to be defective, take a copy of the bill of sale as a proof of purchase and the product in its original carton to the place of purchase. The distributor will, at its option, repair, replace or refund the purchase price to the consumer. All costs of installation and removal of the fixture is the responsibility of the consumer. This warranty does not cover fixtures becoming defective due to misuse, accidental damage or improper handling and/or installation and specifically excludes liability for direct, incidental or consequential damages, improper packaging of returned products and acts of God. As some states do not allow exclusions of limitations on an implied warranty, the above exclusion and limitation may not apply. This warranty gives you specific rights and you may also have other rights which may vary from state to state.