

**Items you will need**

- Safety glasses
- Pencil or pen
- Tape measure
- Utility knife
- Jigsaw
- Carpenter square (speed square)
- Power screw gun or drill
- Soft mallet
- Portable power saw
- Fine-tooth saw blades (40-tooth minimum, sharp carbide-tipped wood or finish/trim blades)
- Large file or medium-grit sandpaper
- Chalk line
- Spacing tools
- Fastener-specific tools recommended by manufacturer

Each DecoDecorators® Voyage™ and Vault board has a unique appearance and should be arranged according to the end user's preference. Prior to construction, check with your local regulatory agency's code requirements. For best results, follow all installation instructions, paying close attention to gapping, spacing and fastener requirements.

**Joist spacing requirements**

	Installation style		
	Standard	Picture frame	Diagonal (45°)
Residential	16"	16"	12"
Commercial	12"	12"	12"

Note: All dimensions are on-center.

Note: Joist spacing, stair stringer spacing and fastener requirements remain the same for all Mineral-Based Composite deck board widths (3.5", 5.5" 7.25").

**Gapping requirements**

	Installation temperature	
	Above 32° F (0° C)	Below 32° F (0° C)
Side-to-Side	1/8"	3/16"
End-to-End	1/16"	1/8"
End-to-Side	1/16"	1/8"
Abutting Solid Objects	1/8"	1/4"

**1X6-16' GR. DKR.**



**End Tag**

Note: Always follow best workmanship practices. Including, and not limited to, square cutting both board ends prior to installation.

**DecoDecorators® VAULT DECKING**

**Storage**  
Keep covered prior to installation.  
• All boards must be spaced properly to allow for expansion and contraction. Refer to complete installation instructions for details.  
• Space all decking material 1/4" away from any permanent structure or joint.  
• Use minimum 2" x 1/2" corrosion-resistant, reverse-thread, coated composite decking fasteners.

**Joist Spacing**  
• 16" on-center for installation perpendicular to the joist.  
• 12" on-center for installation diagonal to the joist.  
Visit [DecoDecorators.com](http://DecoDecorators.com) for complete installation instructions, including joint and end cutting information. Deckboards are treated with a preservative chemical, but are not treated with a preservative chemical. For UFP and UFP+ use only for joist spacing.

**Rangement**  
Conserve l'espace avant l'installation.  
• Toutes les planches doivent être espacées correctement pour permettre la dilatation et la contraction. Consultez les directives d'installation complètes pour obtenir les détails.  
• Éloignez tout le matériau de terrasse de 6,4 mm (1/4 po) de toute structure permanente ou de tout joint.  
• Utilisez des attaches de terrasse en composite enduit, à filetage inversé, résistantes à la corrosion de au moins 2,5 po.

**Espacement des solives**  
• Espacement des solives de 16" (41 cm) entre axes pour l'installation perpendiculaire aux solives.  
• Espacement des solives de 12" (30 cm) entre axes pour l'installation diagonale aux solives.  
Visitez [DecoDecorators.com](http://DecoDecorators.com) pour les instructions complètes d'installation, y compris les informations sur le traitement et le traitement des extrémités.  
Les planches sont traitées avec un produit chimique préventif, mais ne sont pas traitées avec un produit chimique préventif. Pour UFP et UFP+ utilisation uniquement pour l'espacement des solives.

**Almacenamiento**  
Mantenga cubierto antes de ser instalado.  
**Instalación**  
• Todas las tablas deben distribuirse de forma adecuada para permitir la expansión y contracción. Refiérase a las instrucciones para la instalación completa para detalles.  
• Distribuya todo el material para terraces 1/4" (6,4 mm) de distancia de cualquier estructura permanente o jointo.  
• Utilice como mínimo sujetadores para piso de terraza de 2-1/2 pulgadas, resistentes a la corrosión, con rosca inversa y con recubrimiento.  
**Espaciado de las vigas**  
• Espaciado de la viga 16" (41 cm) en el eje para la instalación perpendicular a la viga.  
• Espaciado de la viga 12" (30 cm) en el eje para la instalación diagonal a la viga.  
Visite [DecoDecorators.com](http://DecoDecorators.com) para instrucciones completas de instalación, información de la garantía y el cuidado y limpieza.  
Las tablas están tratadas con un producto químico preventivo, pero no están tratadas con un producto químico preventivo. Para UFP y UFP+ uso exclusivo para el espaciado de las vigas.

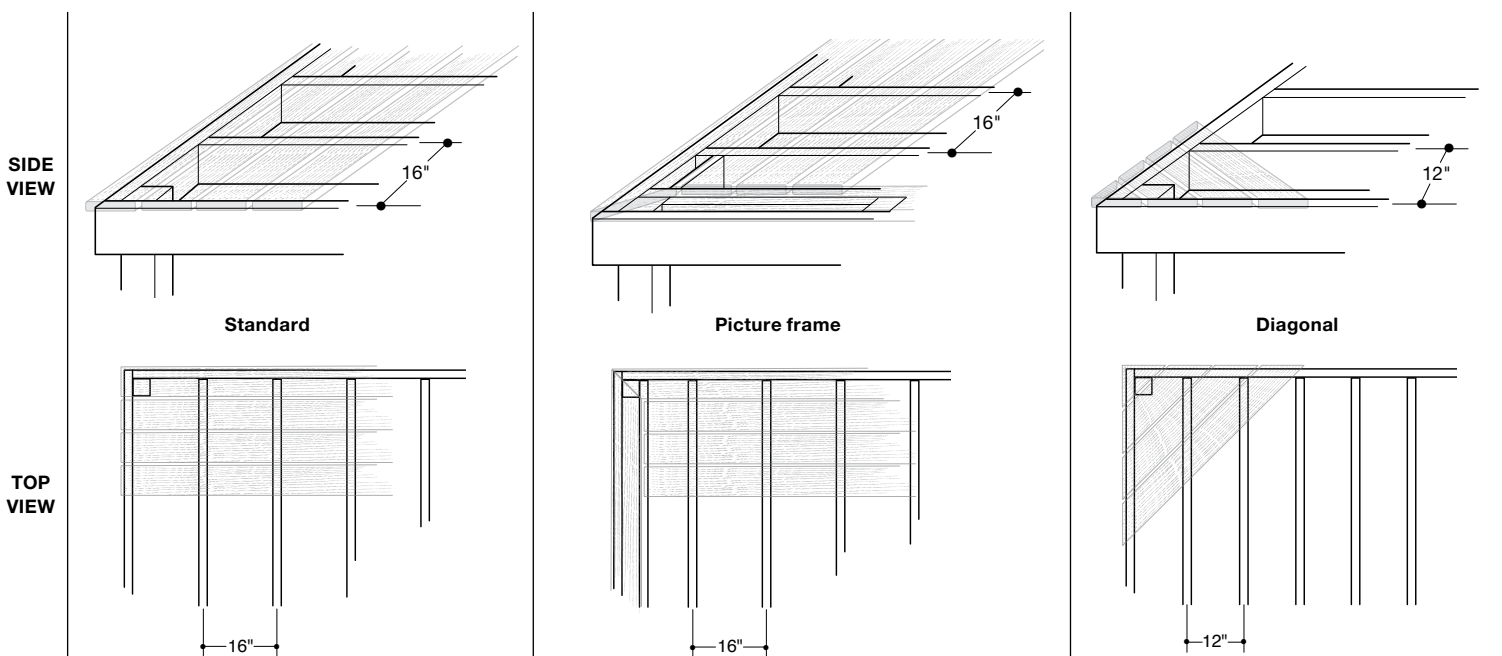
**USA**  
©2020 UFP Retail Solutions, LLC. All rights reserved.  
1 Meadowcraft Parkway, Selma, AL 36701 800.332.5724

**Product Sticker**

Each variegated DecoDecorators board has a unique appearance and should be arranged according to the end user's preference.

Chaque planche de pontage possède une apparence unique et devrait être arrangée en fonction de la préférence de l'utilisateur.

Cada tabla tiene una apariencia única y debe ser colocada de acuerdo a la preferencia del usuario final.



# MINERAL-BASED COMPOSITE INSTALLATION INSTRUCTIONS, CONTINUED

## Cutting

- 10" 40T, 80T circular blade
- 12" 40T, 72T, 80T circular blade

- Upcut with a clean/smooth saw blade.
- Cut deck boards with the leading edge of the saw blade, cutting into the exposed face. Use a sharp utility knife or jigsaw to finish cuts where a circular saw cannot fully complete cut.
- Use a jigsaw to cut openings for protrusions.
- If necessary, use a large file or medium-grit sandpaper to clean cut edges.
- Use utility knife to cut any fibers or strands.  
**(In the rare event that a strand or fiber protrudes from the board, do not pull it.)**

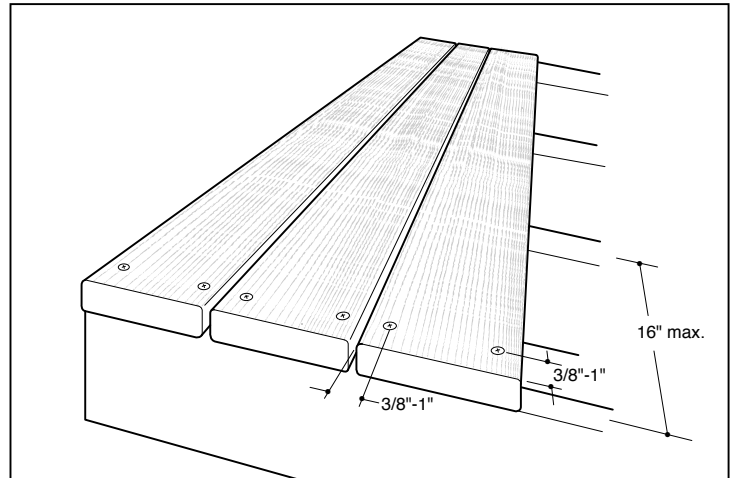
## Fastener requirements

- Corrosion-resistant, galvanized or stainless steel fasteners
  - Reverse-thread composite screw
  - Minimum of 2-1/2" long screws
  - 1-1/4" minimum penetration into joist
- Set power driver such that screws are slightly counter sunk. Do not overdrive.
  - If using a hidden fastener system, use the manufacturer's recommended fastener and follow the manufacturer's instructions.

## Installation

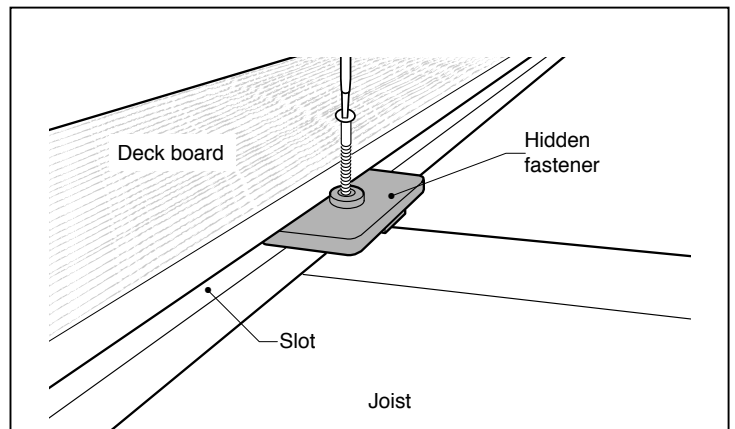
- Two fasteners per joist minimum.
- Ends of each board must fall on a joist.
- Double joist or use blocking where two board ends meet.
- 1" maximum cantilever.
- Install entire deck at same temperature.
- Install the deck boards starting from the outside edge of the platform and work toward anchor wall so that ripped pieces abut the wall. Start installing from one end of the board and work toward the other end of the board.  
**OR:** Start installing from the center of the board and work out toward the ends of the board. Do not install by fastening each end first and working toward the middle.
- Continue installing deck boards, adhering to the gapping requirements. Ensure consistent appearance by aligning each plank so that the cathedrals of the emboss pattern point in the same direction.

*NOTE: Cutting all ends of boards prior to installation recommended.*



### Face screw installation

- Use reverse-threaded composite deck screws.
- Screws should be 3/8" to 1" from side of board, 3/8" to 1" from end of board.
- Use color-matched screws for best results.
- Use caution not to overdrive screw.



### Hidden fastener installation

- Please refer to the compatible fastener information on [Deckorators.com/FastenerInfo](http://Deckorators.com/FastenerInfo).
- Fastener slots may be routed into the side of the deck boards, as needed.
- Follow hidden fastener manufacturer's instructions.

# MINERAL-BASED COMPOSITE INSTALLATION INSTRUCTIONS, CONTINUED

## Stair installation

- Stairs must be constructed according to national and local building codes. Generally, building codes require 3' minimum wide treads and 11" minimum tread depth.
- 9" maximum center-to-center spacing of stringers is required.
- Stair treads should be fastened over a minimum of 5 stringers to meet code requirements.
- 1/2" maximum tread overhang over stringers.
- 1/8" minimum gap between stair-tread boards. Local building codes may require the gap to be increased to 1/4" - 3/8" in order to maintain the minimum tread depth.

## Color variation

Like most composites, Deckorators Decking will have color variations from piece to piece. This is due to naturally occurring variations in polymers. Purchasing all required decking material at one time is recommended, as manufacturing runs can produce slightly different colors. Do not install if color variation is not acceptable.

## Mold and mildew growth

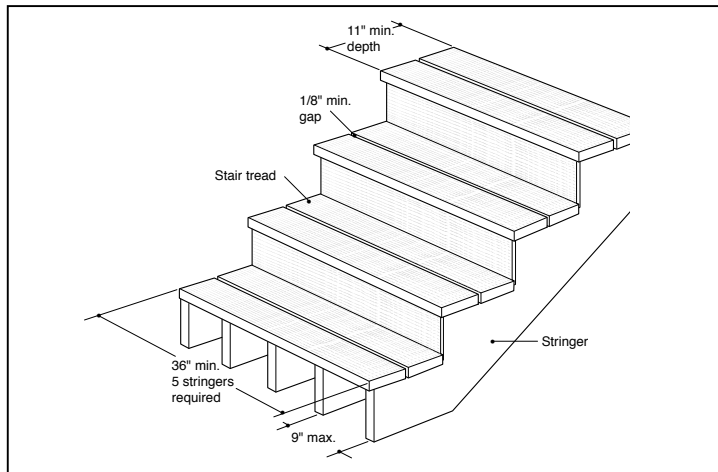
Mold and mildew can be a nuisance on any exterior building surface, regardless of the material. If the conditions are right, they will grow on wood, plastic, concrete, metal and other surfaces. Mold formation is most prevalent in consistently wet, shaded areas. Spores from the natural environment are carried by the wind and commonly land on decks surfaces. It is important to note that the appearance of mold/mildew is a function of nature, not necessarily a deficiency with any of the material on which it grows.

## Cleaning

Periodic washing with soap/mild detergent and water will help remove surface dirt. This will also help prevent the buildup of pollen, debris and spores that can cause and accelerate mold/mildew growth.

*Caution: A pressure washer should not be used to "blast" mold/mildew or soils from a deck surface. The abrasive nature of the water stream can potentially cause damage by driving the spores deeper into the material, which may create a more challenging problem to remedy. A pressure washer with a fan-tipped nozzle should be used only to lightly wet or rinse wood or composite deck surfaces.*

There are many deck wash and exterior cleaning products available at retail. It is important to make sure you use a cleaner specifically intended for your application. After selecting a product, be certain to read,



understand and follow all instructions supplied by the manufacturer. Some cleaning products and inhibitors may be more effective than others, depending on the environmental conditions your deck is subjected to. Additionally, it is always a good idea to test the cleaner in a small, inconspicuous area prior to applying it to the entire deck ([www.deckorators.com](http://www.deckorators.com)).

*Tips for snow removal: Care should be taken when removing snow from your deck to avoid damaging the deck surface. Use a plastic snow shovel, one without a metal edge. A stiff push broom can work very well and minimizes lifting. Light snow can be cleared using a leaf blower. Do not attempt to break up or scrape ice from the deck surface; use ice melt products when needed. No concerns have been reported using ice melt products labeled "Safe for Pets".*

## Mold inhibitors

As with deck washes, there are several mold-inhibitor products available from paint stores, hardware stores, online outlets and home centers to help prevent long-term mold/mildew growth. For any product selected, be certain to read, understand and follow all instructions provided by the manufacturer. Depending upon the environmental factors affecting your deck, some preventive cleaning products may be more effective than others. It may be necessary to try more than one product. For ongoing preventive maintenance, follow the manufacturer's recommendation.

*Note: Deckorators is not suitable for structural use. It should not be used for primary load-bearing members such as posts, joists, beams or stringers. The same commonsense precautions should be taken when handling Deckorators as with wood or other building materials. Dust masks and eye protection devices are recommended to avoid possible irritation from sawdust and chips. Gloves will help protect hands. Hands should be washed after construction work.*

THE DIAGRAMS AND INSTRUCTIONS IN THIS BROCHURE ARE FOR ILLUSTRATION PURPOSES ONLY AND ARE NOT MEANT TO REPLACE A LICENSED PROFESSIONAL. ANY CONSTRUCTION OR USE OF THE PRODUCT MUST BE IN ACCORDANCE WITH ALL LOCAL ZONING AND/OR BUILDING CODES. THE CONSUMER ASSUMES ALL RISKS AND LIABILITY ASSOCIATED WITH THE CONSTRUCTION OR USE OF THIS PRODUCT. THE CONSUMER OR CONTRACTOR SHOULD TAKE ALL NECESSARY STEPS TO ENSURE THE SAFETY OF EVERYONE INVOLVED IN THE PROJECT, INCLUDING, BUT NOT LIMITED TO, WEARING THE APPROPRIATE SAFETY EQUIPMENT. UNIVERSAL FOREST PRODUCTS, INC., MAKES NO WARRANTY, EITHER EXPRESS OR IMPLIED, AND SHALL NOT BE LIABLE FOR ANY DAMAGES, INCLUDING CONSEQUENTIAL DAMAGES.