



Maximum weight capacity
of **300 lbs** evenly distributed

Base Storage Cabinet

36" W x 18" D x 31" H

Use & Care Guide

Read all instructions and warnings before proceeding.

If you do not understand any portion of the instructions, do not attempt assembly;

EMAIL : customerservice@kindredproducts.net

Call : (866) 456-0866.

This Use & Care Guide provides instructions on how to assemble and use your Everest™ Base Cabinet.

It is critical that the Cabinet be assembled correctly and according to the instructions.

The product is intended for use in working areas including offices, homes, craft rooms, garages, etc.

The product is intended to be placed on a level floor

WARNING!

1. Strictly follow all instructions to avoid an accident, damage to property, personal injury, or death.
2. Do not sit, stand, or climb on cabinet and do not let children do so. Components might fail, causing a person to fall, possibly resulting in serious injury or death.
3. FOR CALIFORNIA RESIDENTS ONLY - WARNING: Cancer and reproductive harm. For full information, go to www.P65Warnings.ca.gov.

It is the consumer's responsibility to:

- Assemble this system in accordance with provided instructions
- Maximum weight capacity of 300 lbs evenly distributed
- Adjustable shelf supports up to 100 lbs
- Failure to follow warning could result in serious injury

Preparation

1. Find a soft surface for the assembly process to avoid any scratching (e.g. on top of a rug, a carpet, or the broken down shipping box).

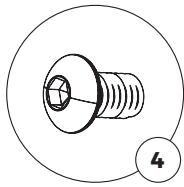
2. One-person assembly is suggested or feel free to invite a friend or family member to help assemble and install.

You may need

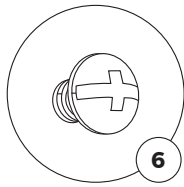
- Phillips Screwdriver
- Drill

Box Includes

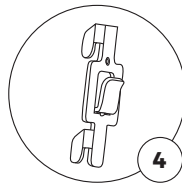
UNPACKING AND ASSEMBLING YOUR PRODUCT SAFELY
When you receive your product, please proceed with caution during the unpacking process. The frame of the item is partially assembled, with sides that unfold both upwards and downwards. This is an integral part of the assembly mechanism designed for your convenience. To avoid any potential injury or damage to the product, gently remove the packaging material and carefully allow the frame to unfold as intended. Ensure that you have ample space to work with, avoiding any cramped or cluttered areas that may hinder the smooth expansion of the frame. If necessary, seek assistance to stabilize the components during this process.



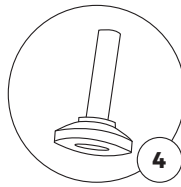
(A) Panel Screws



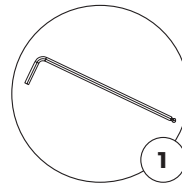
(B) Back Screws



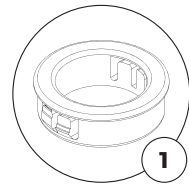
(C) Shelf Clips



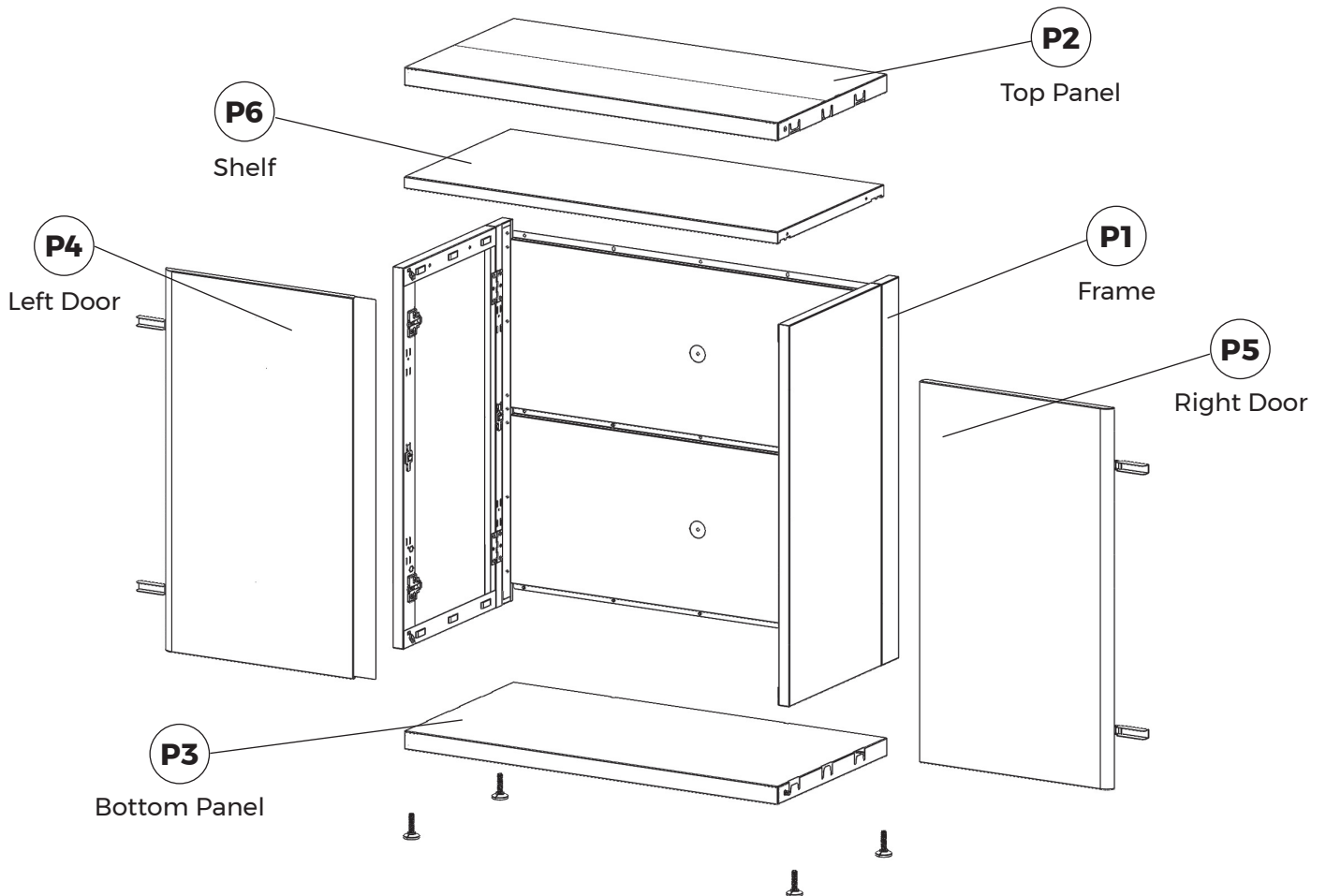
(D) Leveling Feet



(E) Hex Wrench

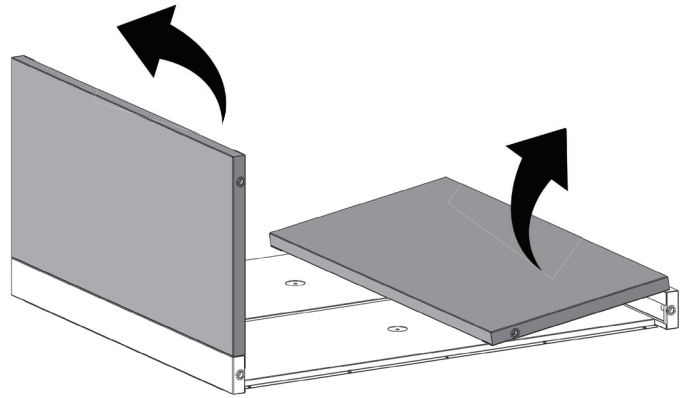


(F) Cord Grommet



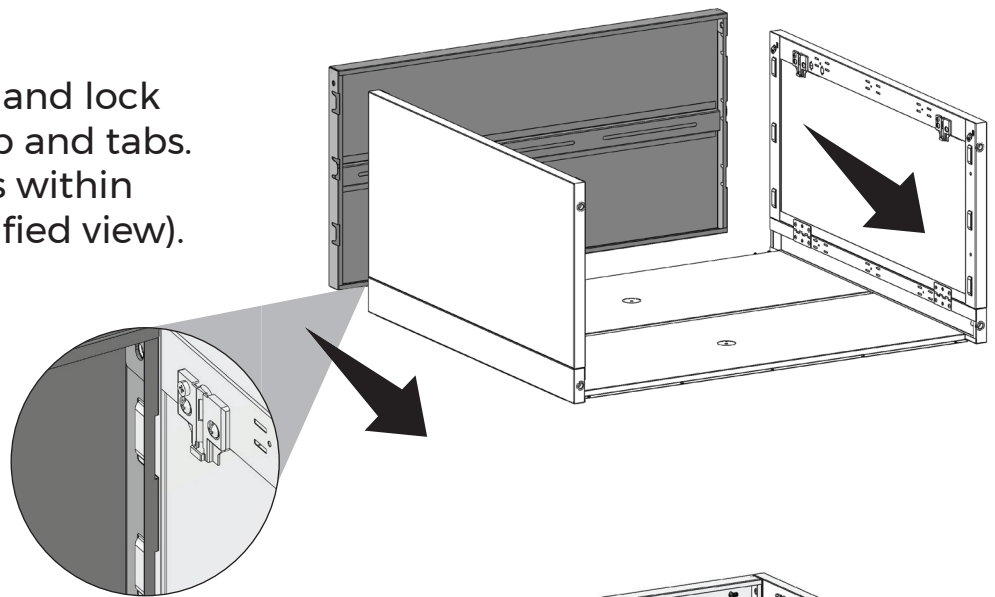
STEP 1

Remove cabinet frame (**P1**) and lay on its back on a protected surface with the sides facing up. Lift each side panel to an upright position.

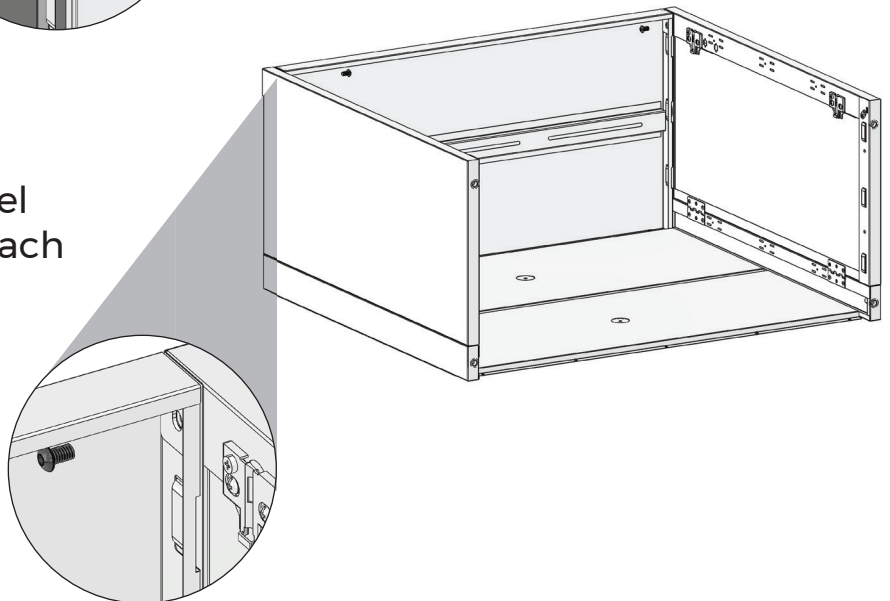


STEP 2

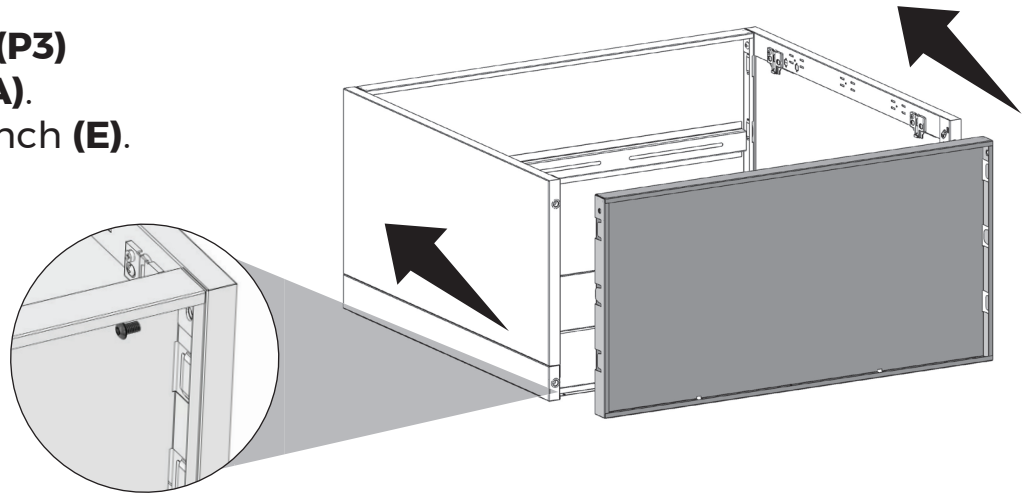
Take the top panel (**P2**) and lock each side using the loop and tabs. Secure all six panel tabs within frame loops (See magnified view).



Secure top panel with 2 Panel Screws (**A**) on the inside of each side frame. Tighten with Hex Wrench (**E**). (See magnified view)

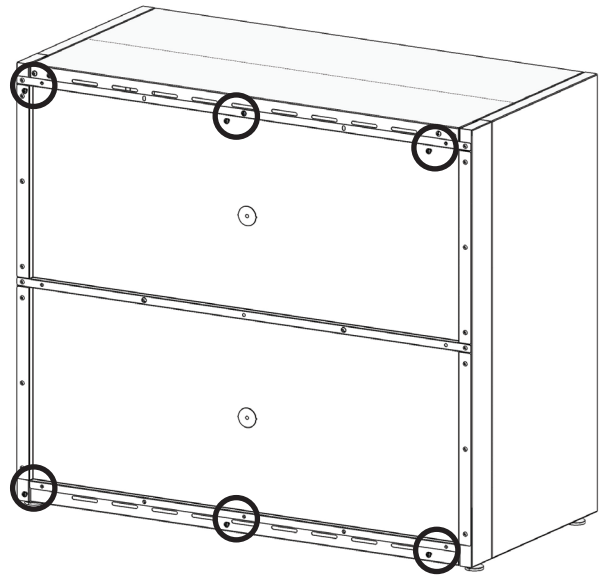


Secure bottom panel (**P3**)
with 2 Panel Screws (**A**).
Tighten with Hex Wrench (**E**).
(See magnified view)



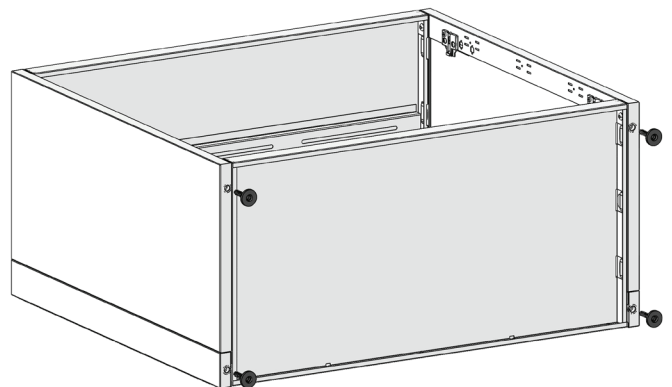
STEP 3

Flip cabinet upright. Secure top and
bottom panels to frame with Back
Screws (**B**) through the pilot holes.



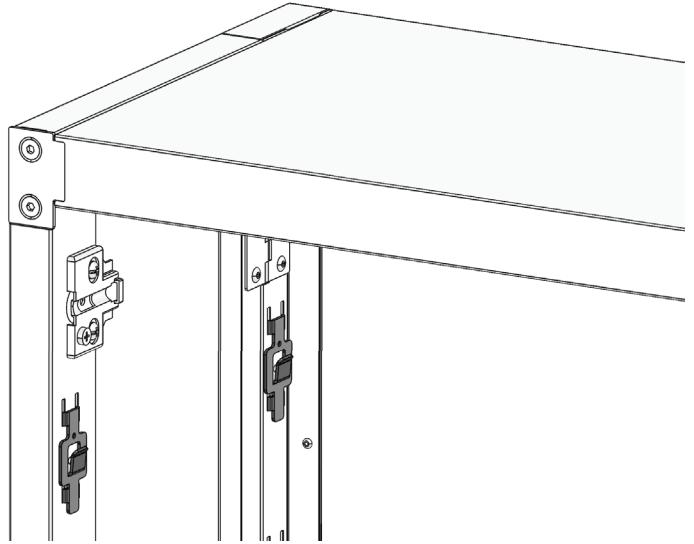
STEP 4

Install 4 leveling feet (**D**).

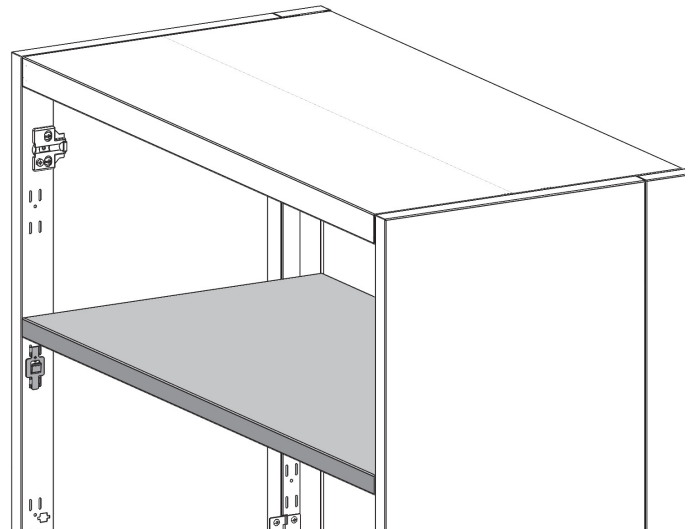


STEP 5

Install Shelf Clips. Insert four Shelf Clips (**C**) in the frame slots at the desired height. These will “click” in place.



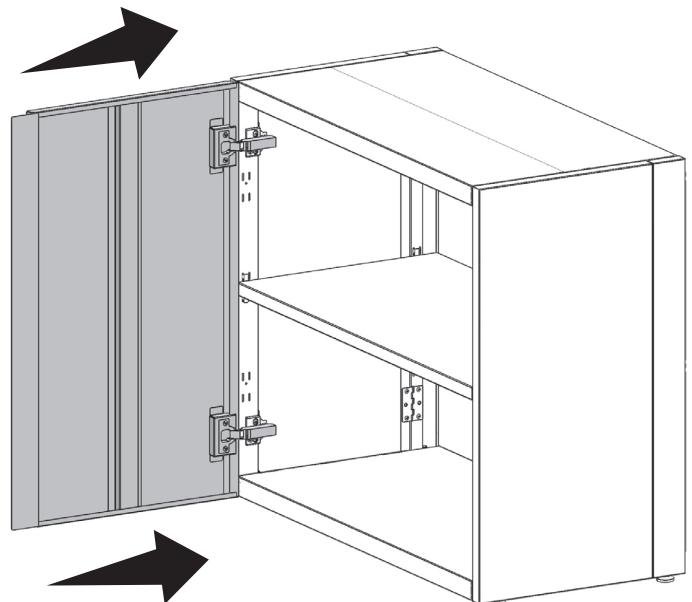
Install Shelf. Locate Shelf (**P6**) and with the front facing forward position the shelf above the clips and all the way to the rear of the frame. Next, lower onto the clips until the shelf clicks into place. Check for stability and adjust if needed.



STEP 6

Hinges are already installed and can be quickly connected.

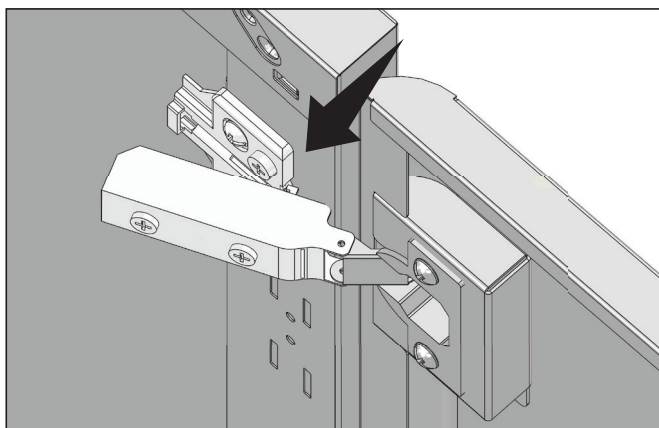
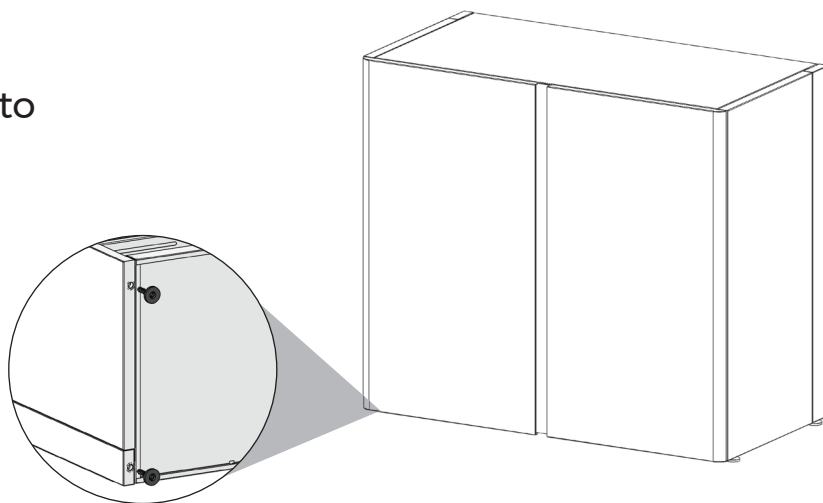
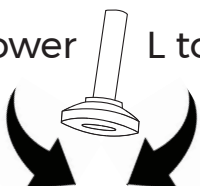
Locate Left and Right Doors (**P4**) and (**P5**). For both the left and right door panels, extend the hinges in the direction of the cabinet frame.



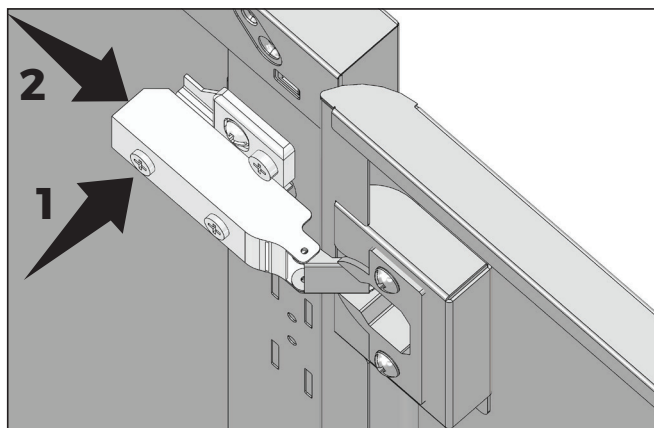
STEP 7

Move cabinet to the desired location. Use the leveling feet to adjust the height to eliminate the cabinet from rocking.

R to lower L to raise

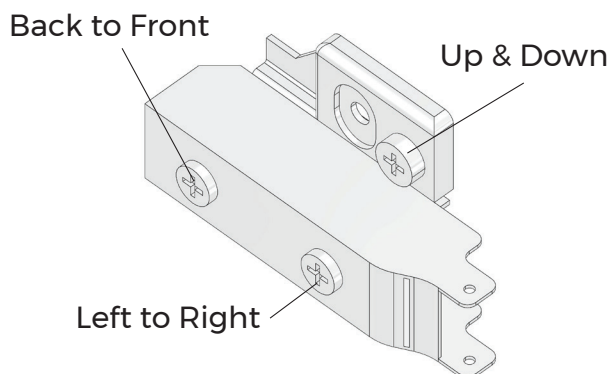


Align the hinge with the hinge plate.

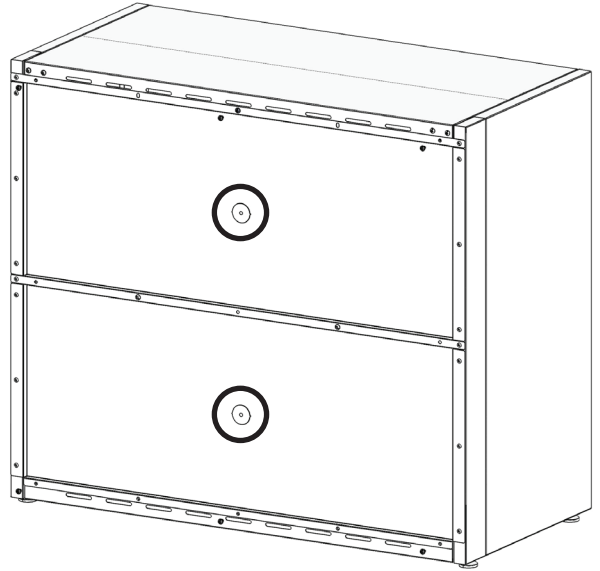


1. Press the back part of the hinge to click into position.
2. To release the hinge, press the back release button.

Aligning Doors. If doors do not align, adjust the three screws on the panel door hinges. Back screw adjusts back to front, the front screw adjusts left to right, and the top screw adjusts up and down.



Cabinet is designed for easy cord management. Simply punch out the port and insert the Cord Grommet **(F)** on the back to feed electrical cords.



CLEANING

Wipe with soft cloth and a mild dish soap to keep cabinets clean.
Dry immediately with a soft, clean cloth.

CONTACT INFORMATION

EVEREST WORLD HEADQUARTERS
Kindred Products LLC
2460 M-139 Suite B
Benton Harbor, MI 49022-6444

Mailing Address
P.O. Box 827
Saint Joseph, MI 49085-0827

Customer Service
Phone: (866) 456-0866
Email: customerservice@kindredproducts.net
Website: www.Everesthome.com

Scan for
Warranty
Information



Warning and Disclaimer: Kindred LLC Expressly disclaims all liability for personal injury, property damage or loss, whether direct, indirect, incidental, resulting from incorrect assembly, improper use, inadequate maintenance, or neglect. 2024 Kindred. All rights reserved.