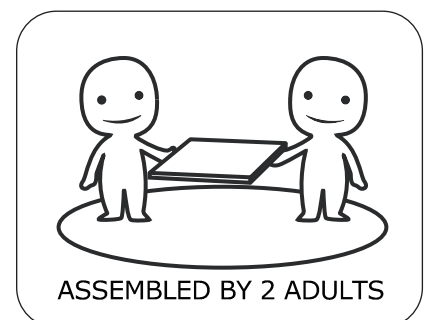
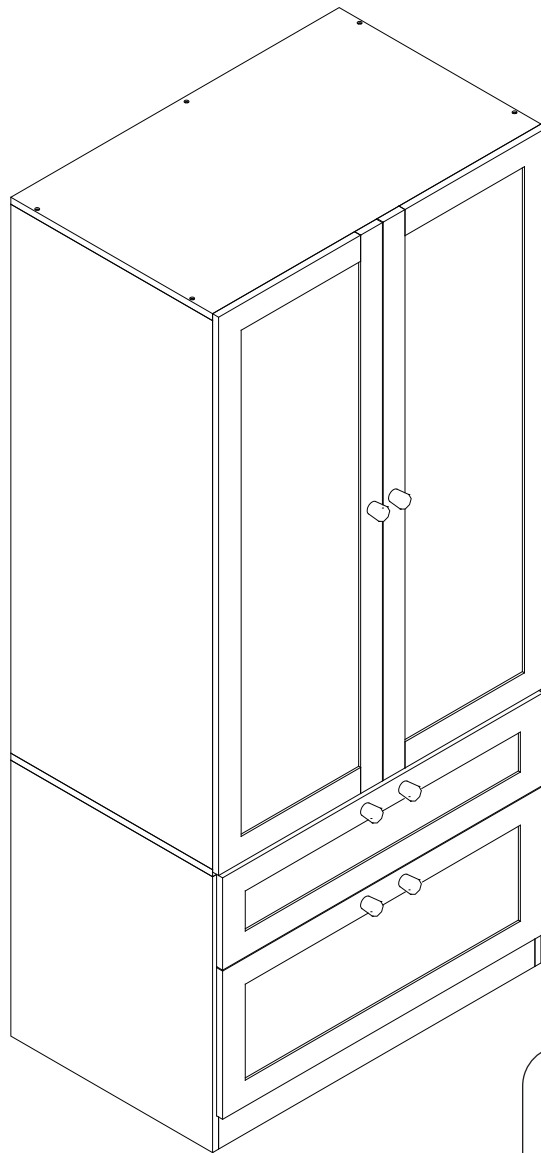
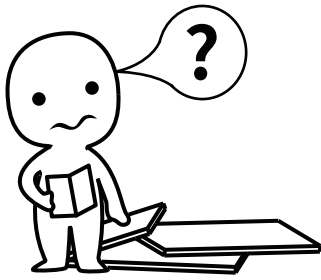


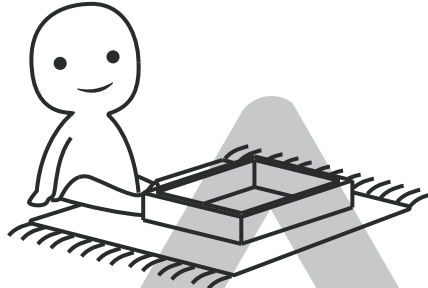
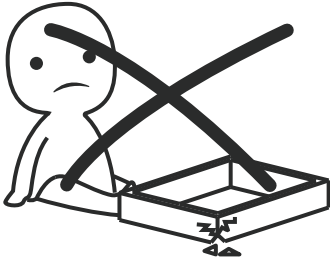
Wardrobe





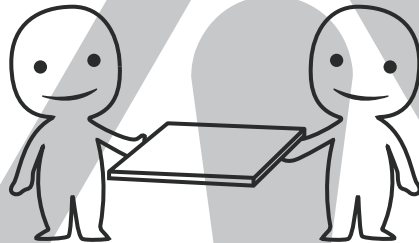
IMPORTANT INFORMATION!

please read the entire manual before starting to assemble and/or using this product. follow the manual thoroughly and keep it for further reference.



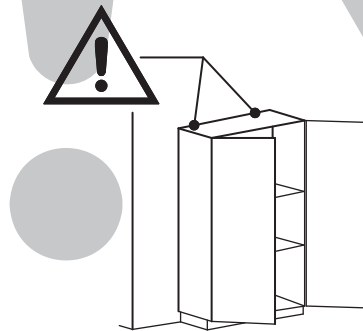
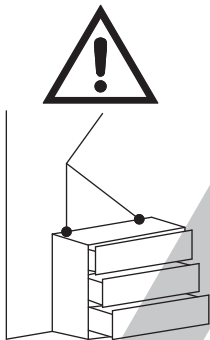
AVOID SCRATCHES!

In order to avoid scratching this furniture should be assembled on a soft layer- could be a rug.



IMPROVE EFFICIENCY !

Try to find a partner to install with you, which can speed up the installation efficiency and shorten the time.



ANTI-TOPPLE WARNING !

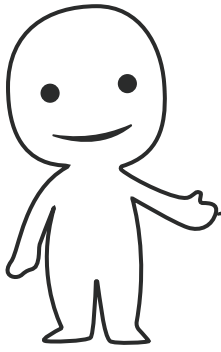
Overturnd furniture can cause serious or fatal crush injuries. To prevent tipping over, be sure to use the wall attachment, if not included with this product. Please purchase the wall attachment that fit your wall. If unsure, seek professional advice. Please read and follow each step of the instructions carefully.

IMPORTANT !

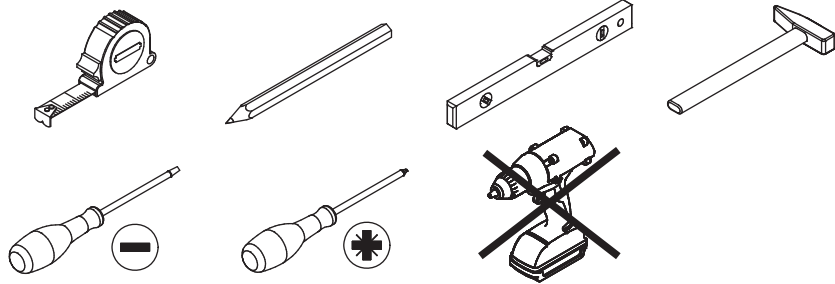
It is important that any product which is assembled using any kind of screw is re-tightened 2 weeks after assembly, and once every 3 months - in order to assure stability through-out the lifespan of the product.

For regular maintenance and cleaning of the product, for the frame, please use a rag dipped in neutral detergent to fully wipe it, and then dry it with a clean rag. For glass materials, wipe with a rag dampened with water glass cleaner, and then dry with a dry rag.

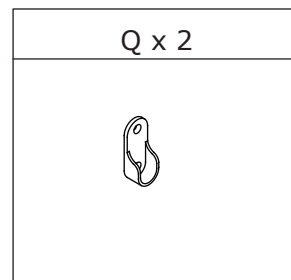
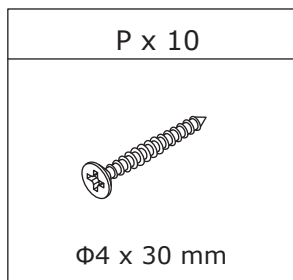
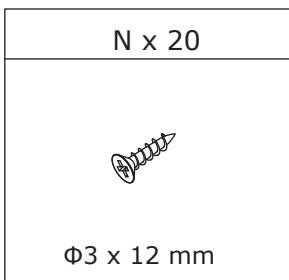
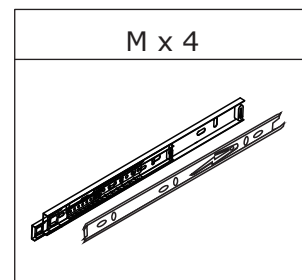
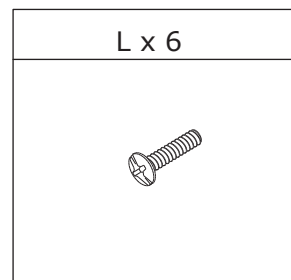
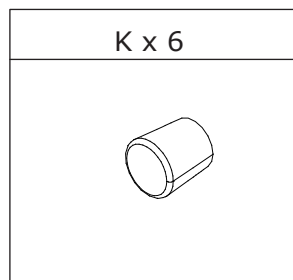
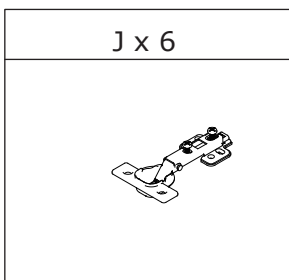
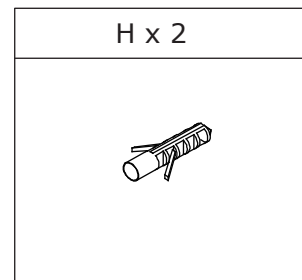
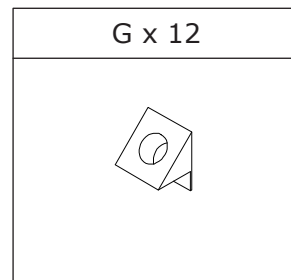
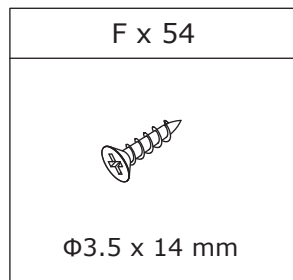
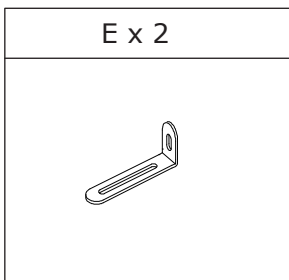
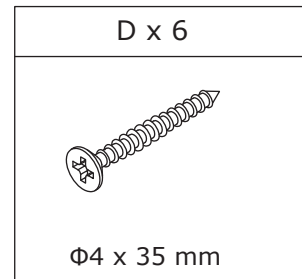
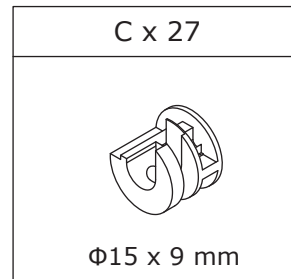
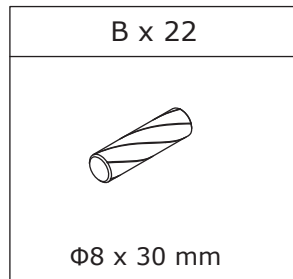
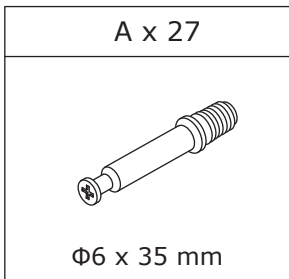
Do not use an electric screwdriver, and do not use too much force when installing, because the board is easy to break.



Please prepare the following tools



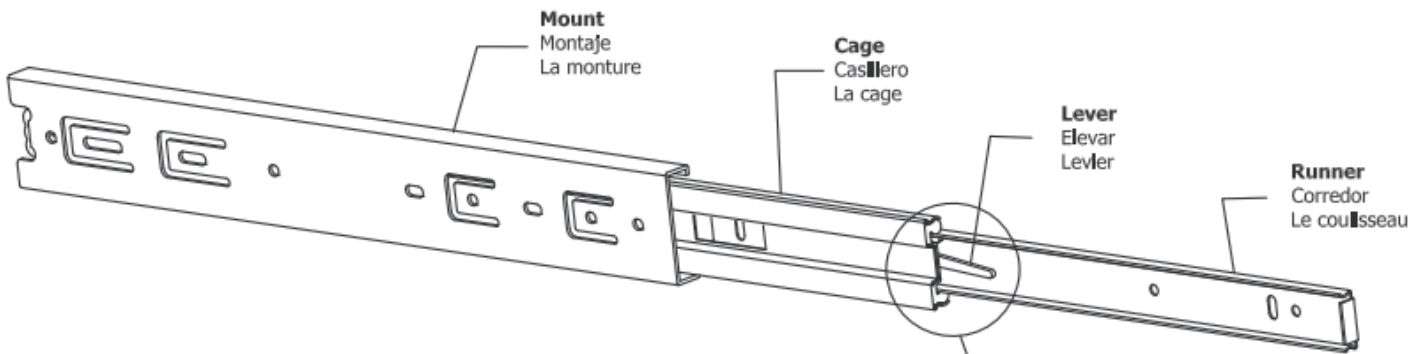
When installing, please carefully confirm whether each screw corresponds to the manual, accessories with similar shapes can be distinguished by size



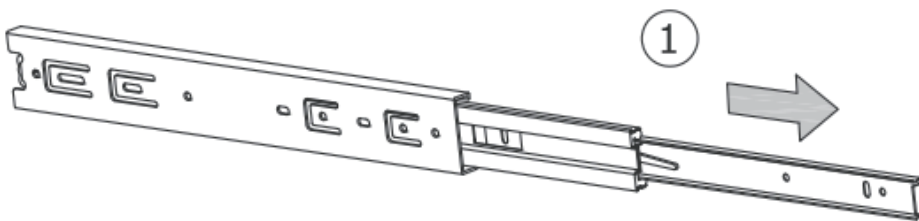
**Slides Must Be Separated Before Assembly.
After Separated, Set Aside Until Needed for Assembly.**

Las diapositivas deben separarse antes del montaje.
Después de la separación, déjelo a un lado hasta que sea necesario.

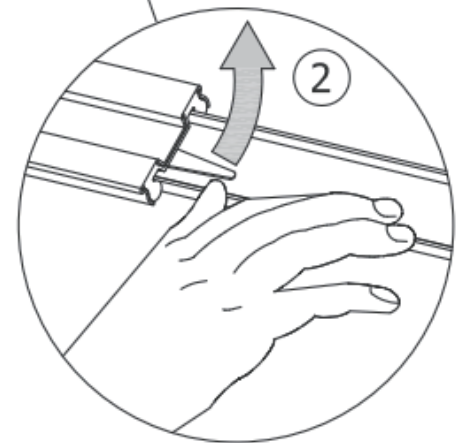
Les glissières doivent être séparées avant l'assemblage.
Après la séparation, mettez de côté jusqu'au moment de l'assemblage.



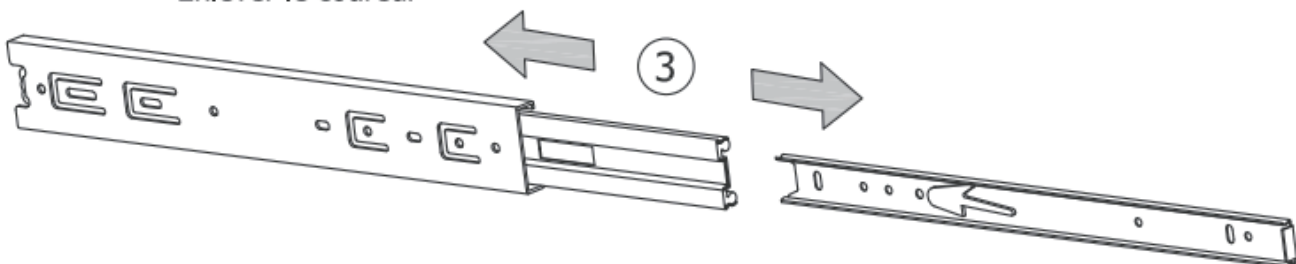
STEP 1: Extend Slide
Extender la diapositiva
Extendre la diapositive

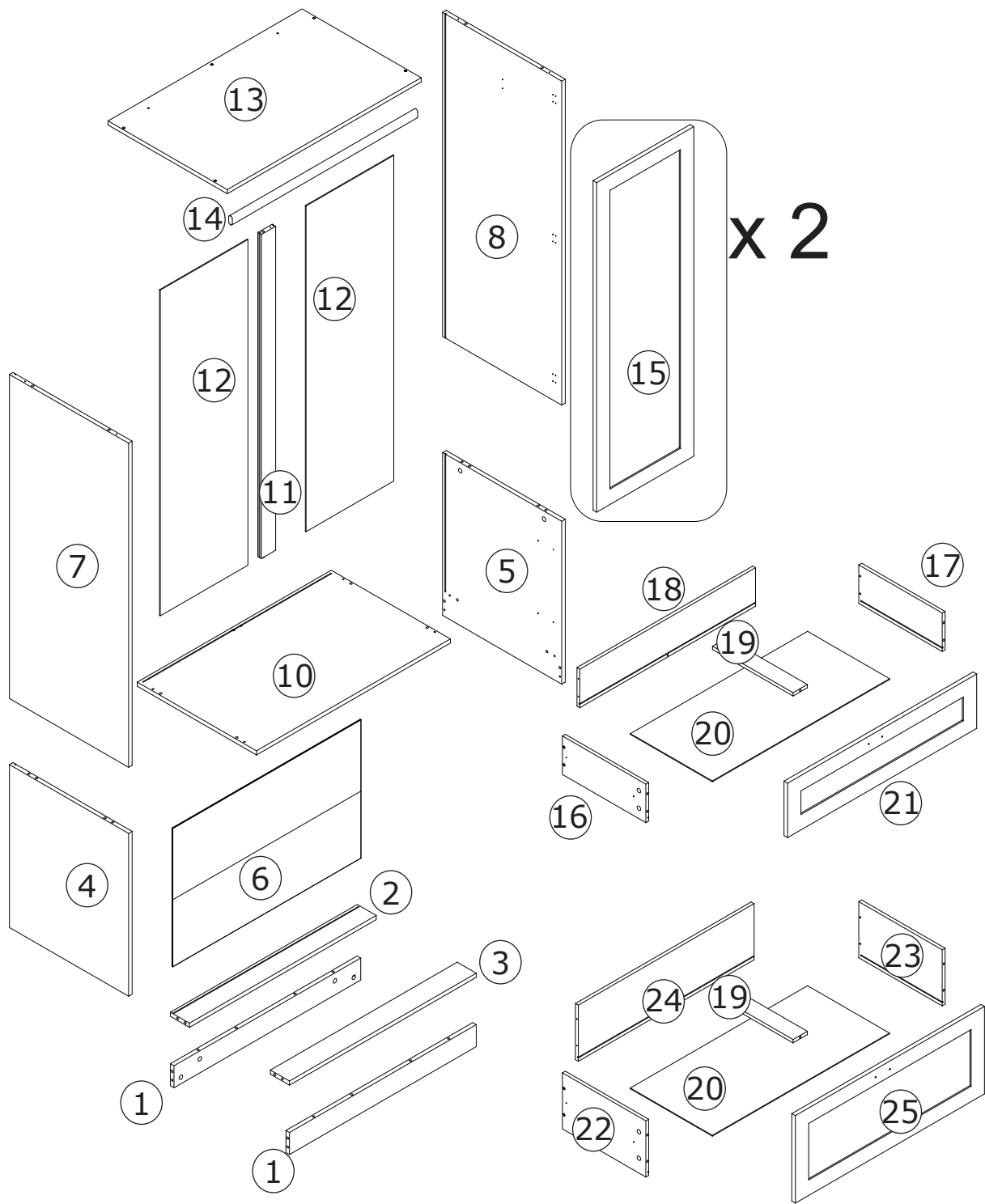


STEP 2: Push Lever UP
Empujar hacia arriba
Lever le levier



STEP 3: Remove Runner
Quitar el corredor
Enlever le coureur





⚠ WARNING



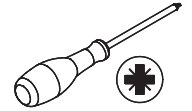
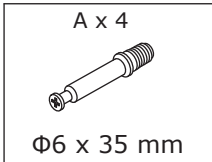
Children have died from furniture tipover. To reduce the risk of furniture tipover:

- ALWAYS install tipover restraint provided.
- NEVER put a TV on this product.
- NEVER allow children to stand, climb or hang on drawers, doors, or shelves.
- NEVER open more than one drawer at a time.
- Place heaviest items in the lowest drawers.

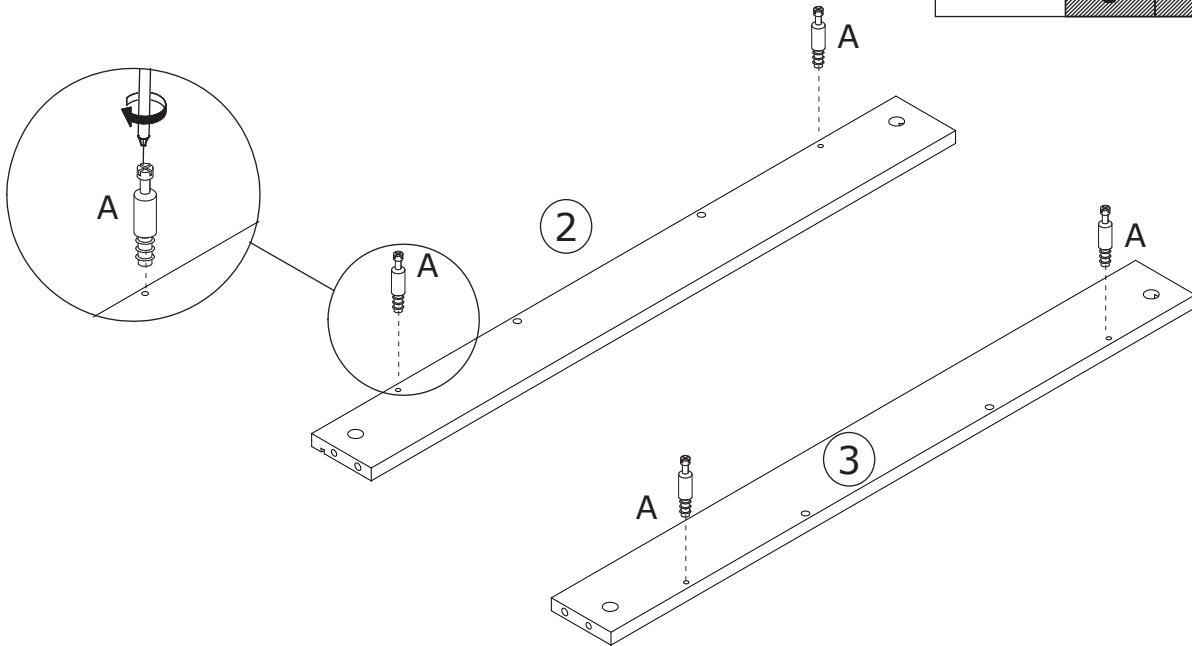
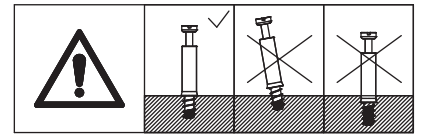
*This is a permanent label.
Do not remove!*



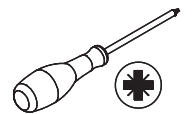
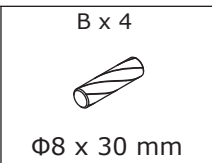
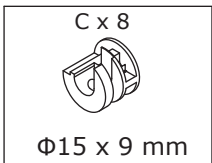
1



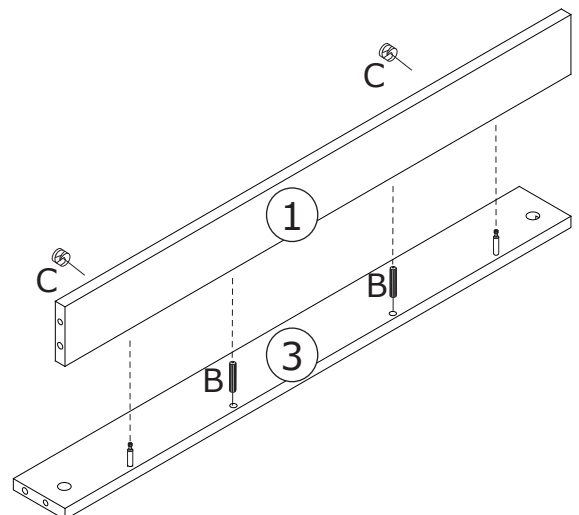
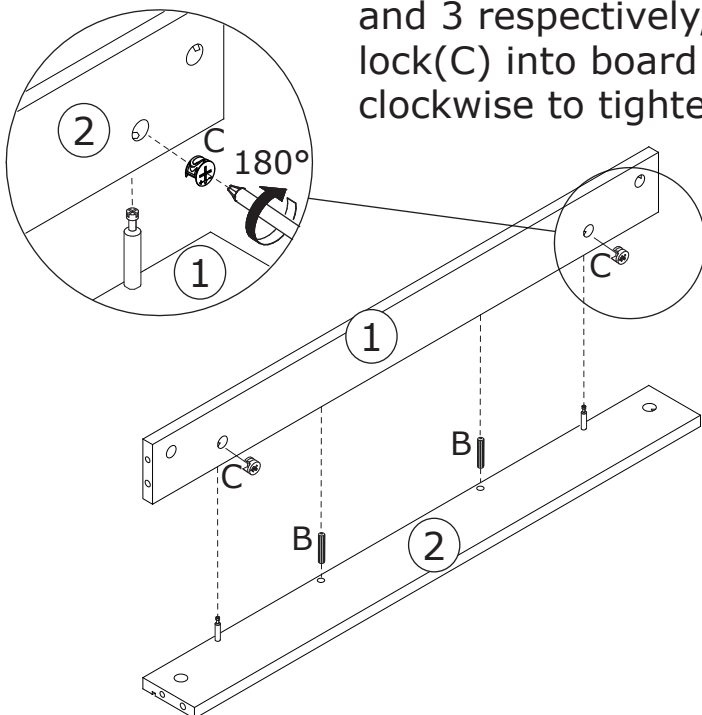
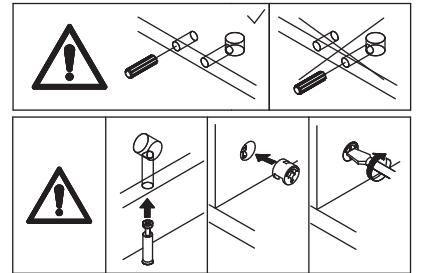
Screw eccentric rod(A) into board 2 and 3 with a screwdriver as shown.



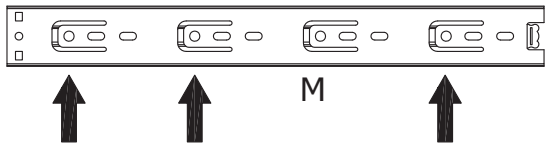
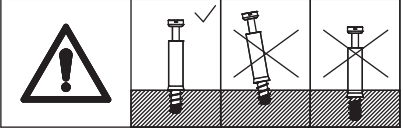
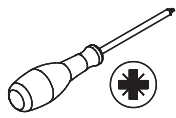
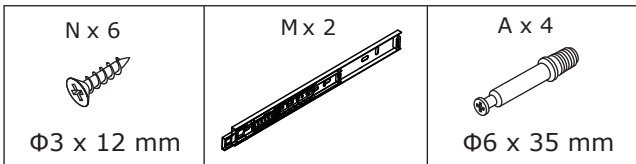
2



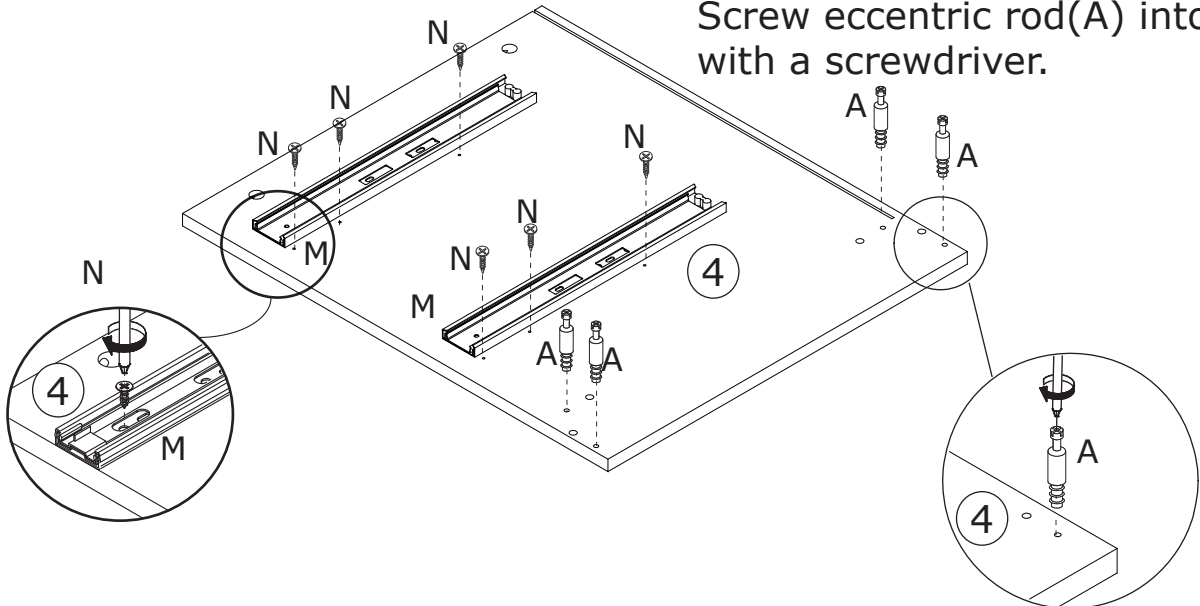
Insert wooden dowel(B) into board 2 and 3 at first.
Attach board 1 to board 2 and 3 respectively, add cam lock(C) into board 1 and turn clockwise to tighten as shown.



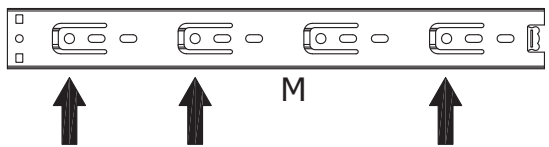
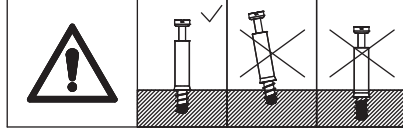
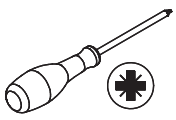
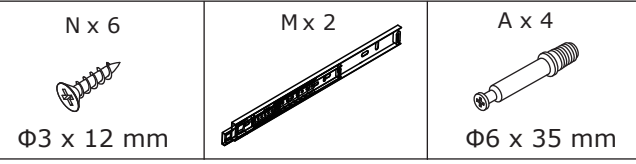
3



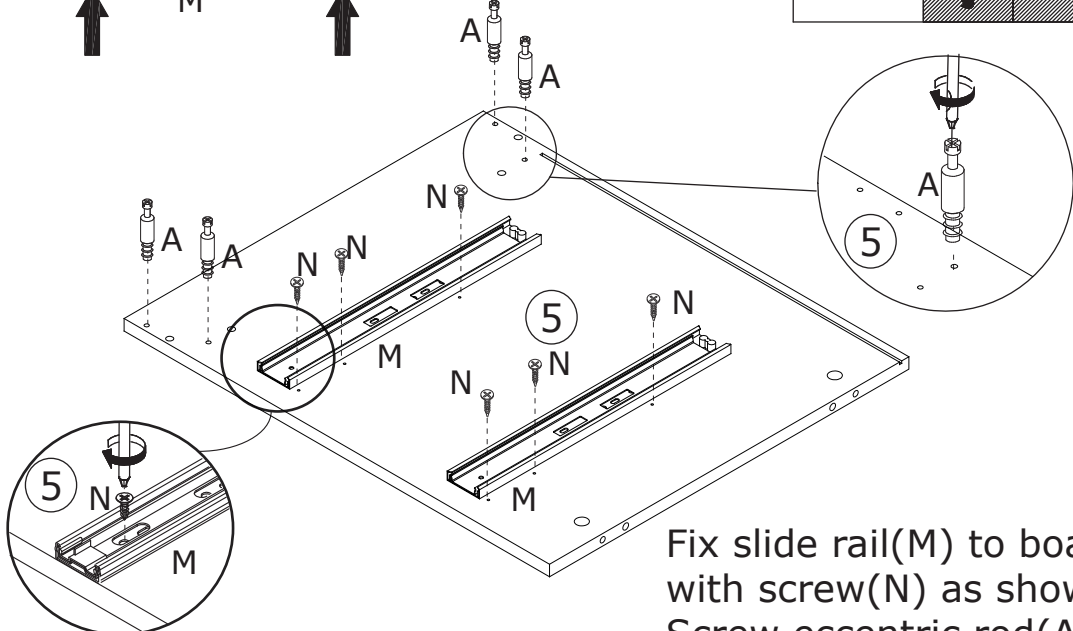
Fix slide rail(M) to board 4 with screw(N) as shown. Screw eccentric rod(A) into board 4 with a screwdriver.



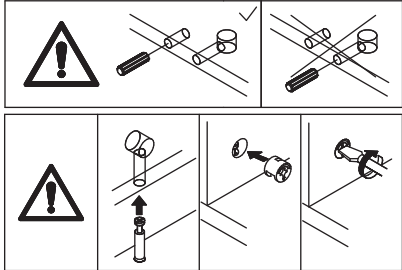
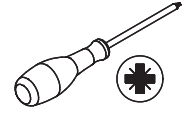
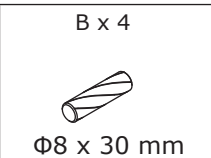
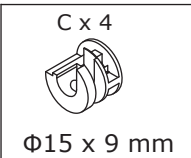
4



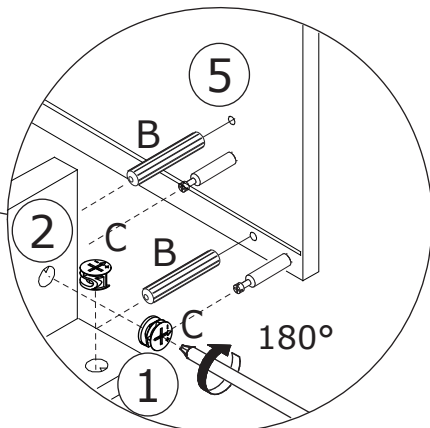
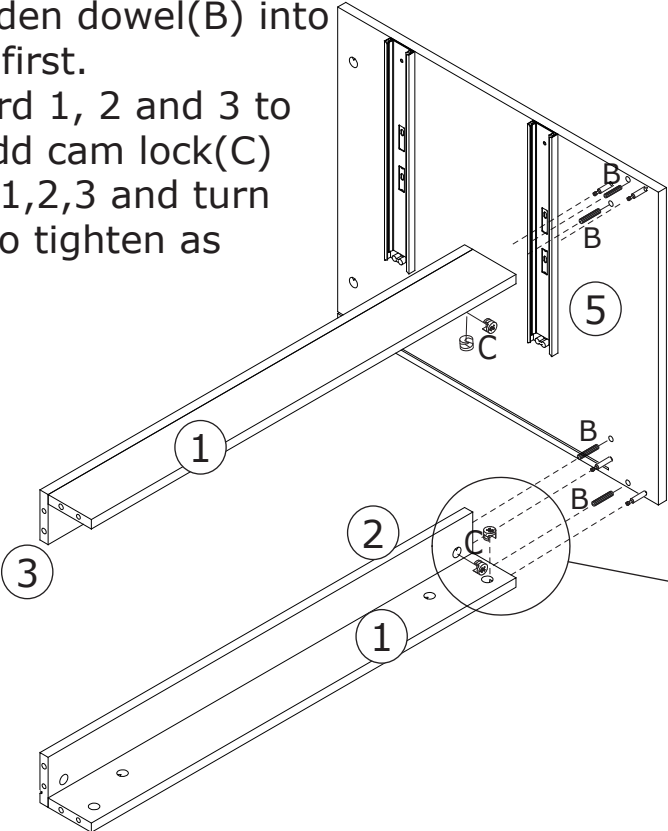
Fix slide rail(M) to board 5 with screw(N) as shown. Screw eccentric rod(A) into board 5 with a screwdriver.



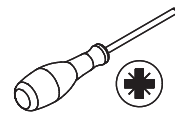
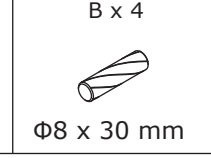
5



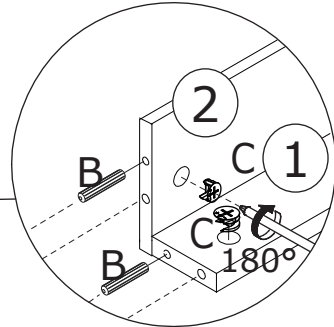
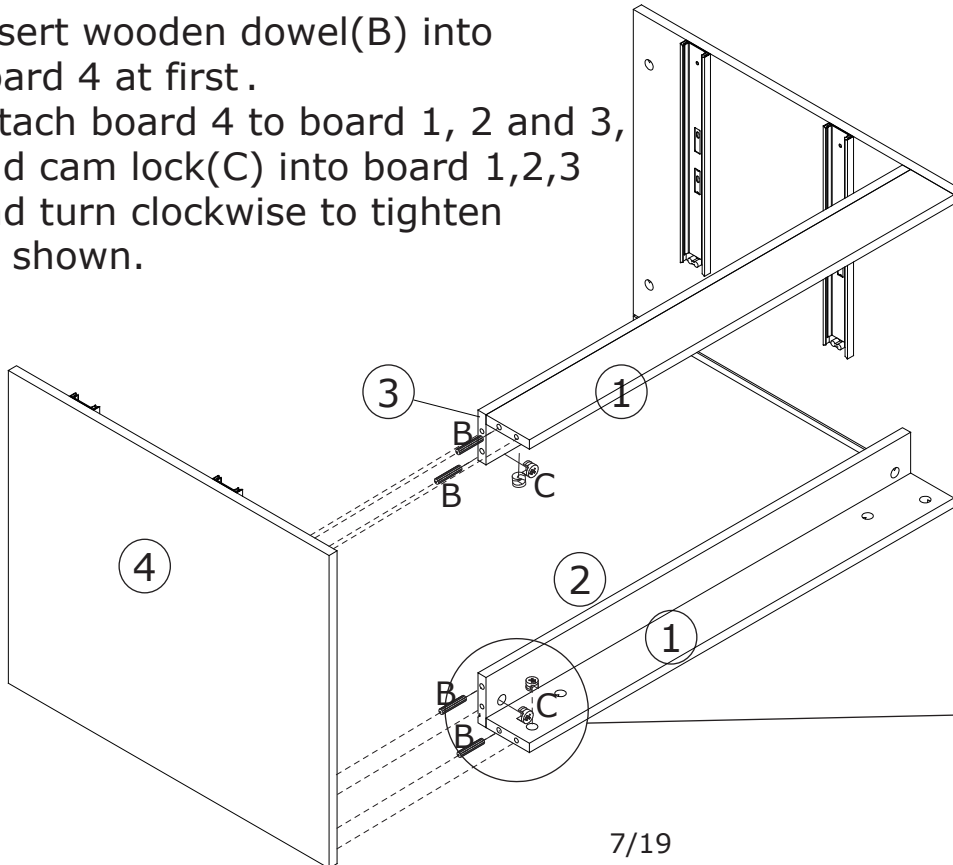
Insert wooden dowel(B) into board 5 at first.
Attach board 1, 2 and 3 to board 5, add cam lock(C) into board 1,2,3 and turn clockwise to tighten as shown.



6

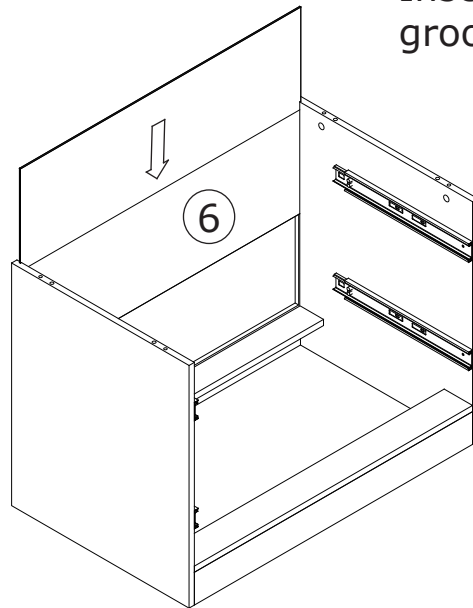


Insert wooden dowel(B) into board 4 at first.
Attach board 4 to board 1, 2 and 3, add cam lock(C) into board 1,2,3 and turn clockwise to tighten as shown.



7

Insert back board 6 along grooves as shown.



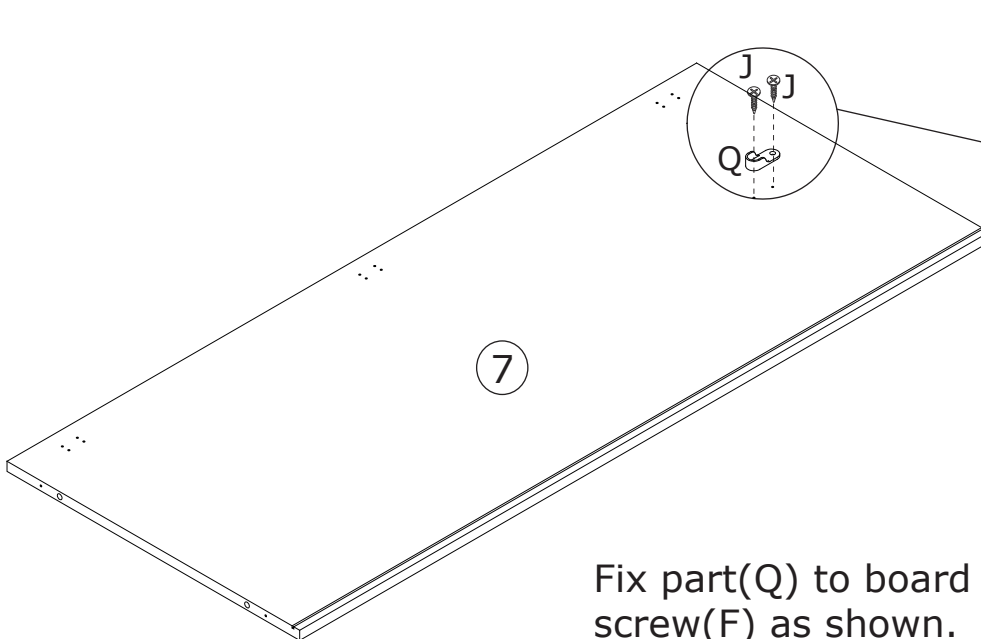
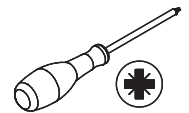
8

J x 2



Φ3.5 x 14 mm

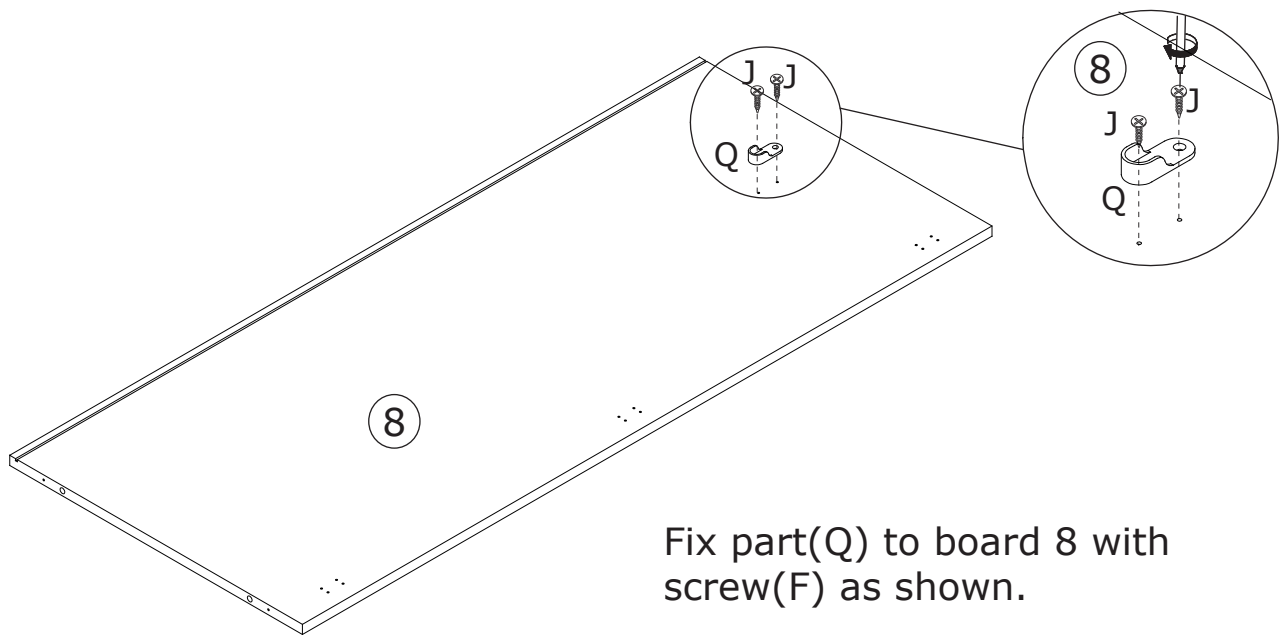
Q x 1



Fix part(Q) to board 7 with screw(F) as shown.

9

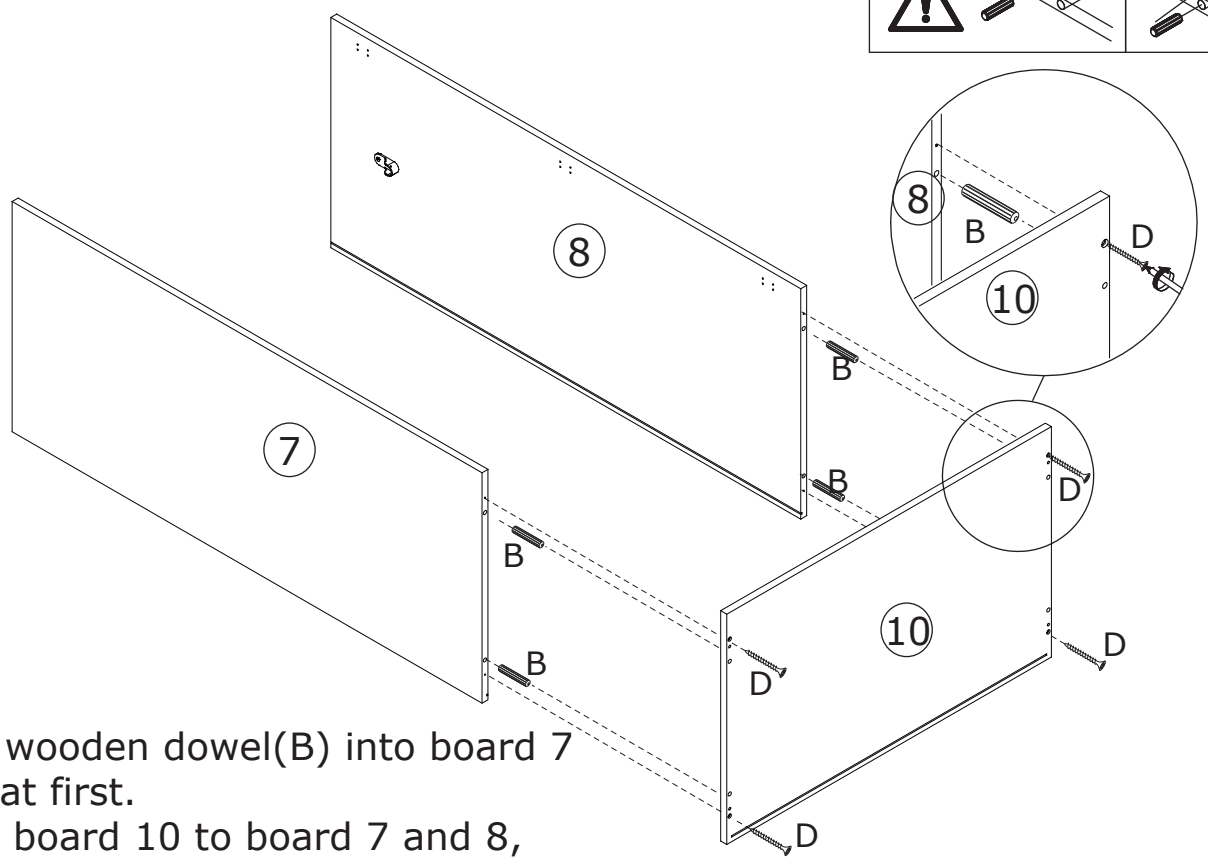
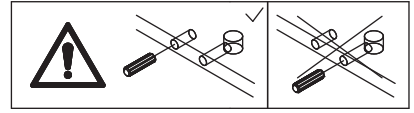
<p>J x 2</p>  <p>Φ3.5 x 14 mm</p>	<p>Q x 1</p> 	
--	--	---



Fix part(Q) to board 8 with screw(F) as shown.

10

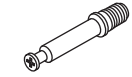
<p>D x 4</p>  <p>Φ4 x 35 mm</p>	<p>B x 4</p>  <p>Φ8 x 30 mm</p>	
--	--	--



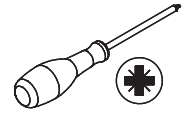
Insert wooden dowel(B) into board 7 and 8 at first.
 Attach board 10 to board 7 and 8,
 fix with screw(D) as shown. 9/19

11

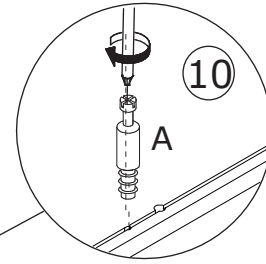
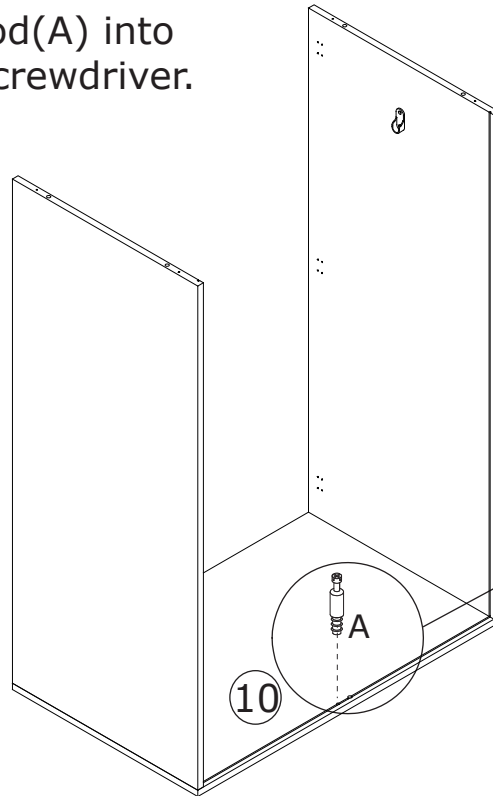
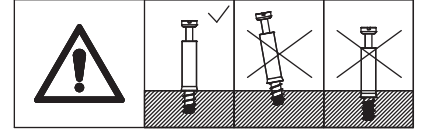
A x 1



Φ6 x 35 mm



Screw eccentric rod(A) into board 10 with a screwdriver.



10

10

A

12

C x 1

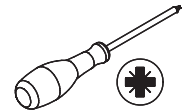


Φ15 x 9 mm

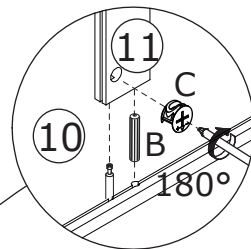
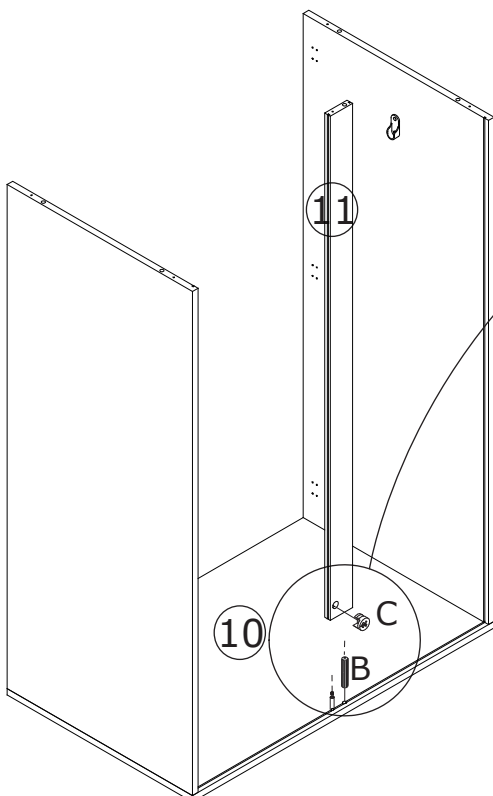
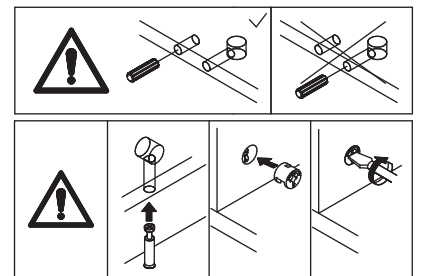
B x 1



Φ8 x 30 mm



Insert wooden dowel(B) into board 10 at first, attach board 11, add cam lock(C) into board 11 and turn clockwise to tighten as shown.



11

11

10

B

C

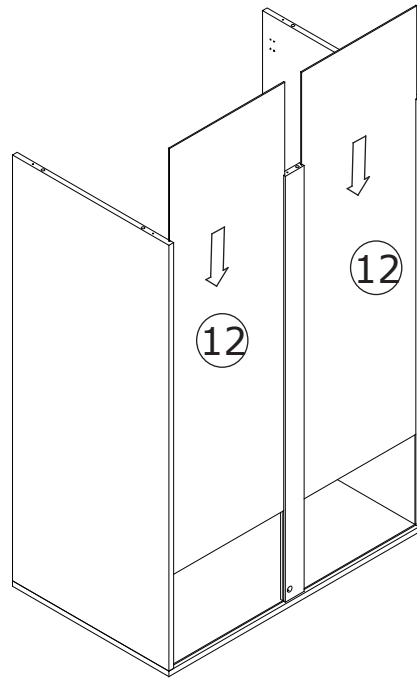
180°

10

C

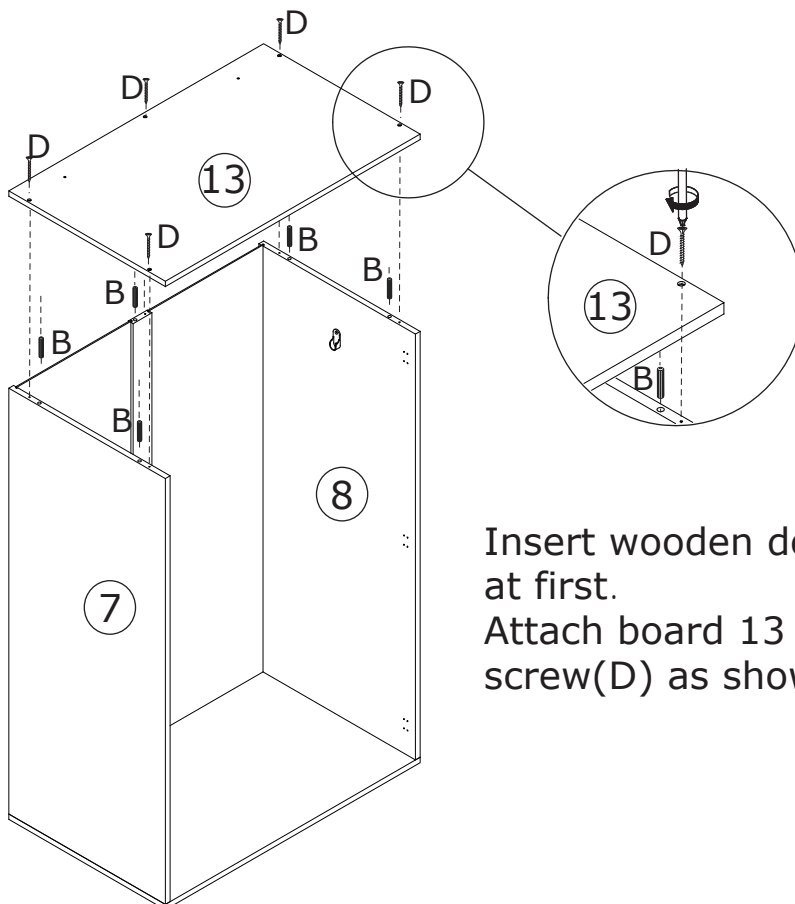
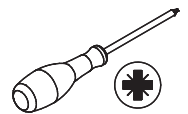
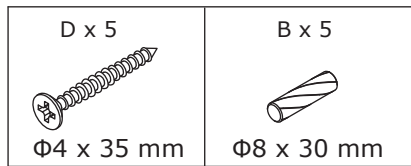
B

13



Insert back board 12 along grooves as shown.

14

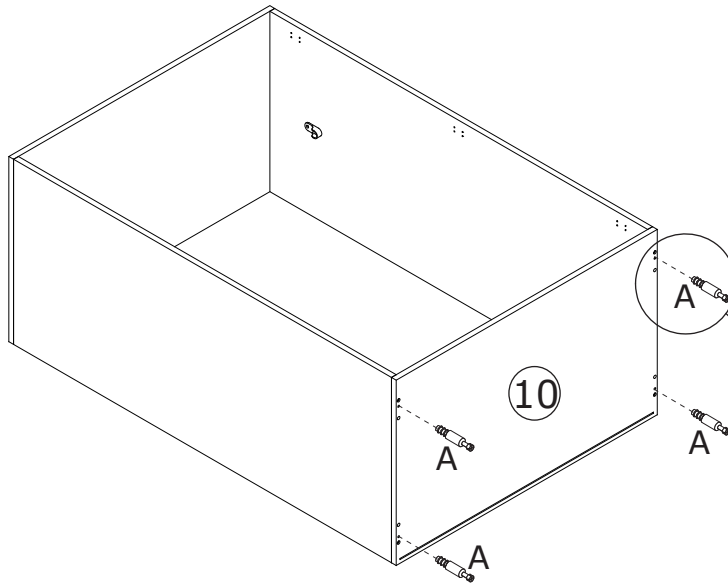
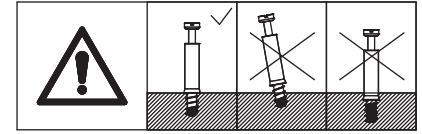
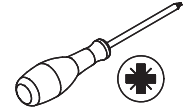


Insert wooden dowel(B) into board 7 and 8 at first.

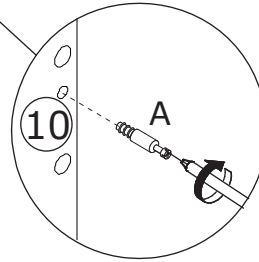
Attach board 13 to board 7 and 8, fix with screw(D) as shown.

15

A x 4
Φ6 x 35 mm



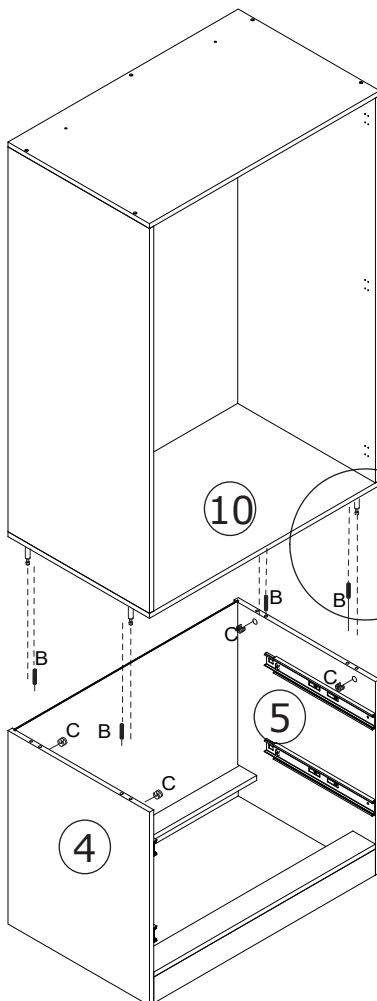
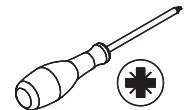
Screw eccentric rod(A) into board 10 with a screwdriver.



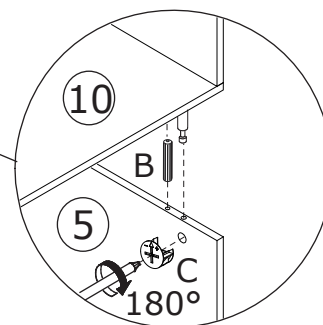
16

C x 4
Φ15 x 9 mm

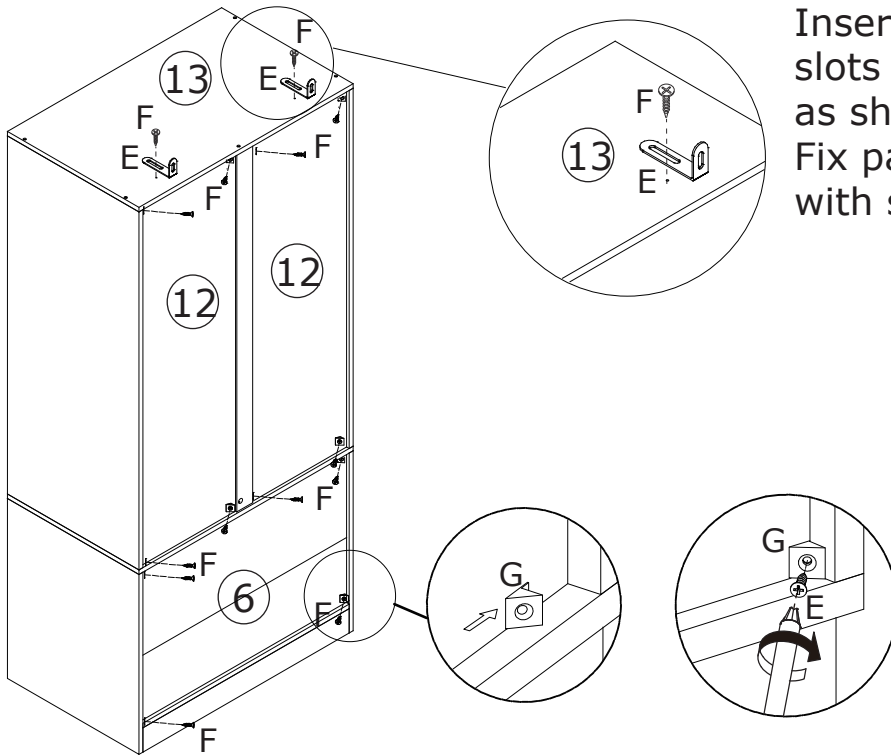
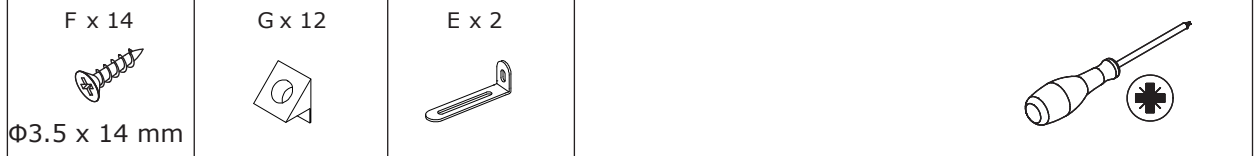
B x 4
Φ8 x 30 mm



Insert wooden dowel(B) into board 4 and 5 at first.
Connect the two assembled components, add cam lock(C) into board 4,5 and turn clockwise to tighten as shown.

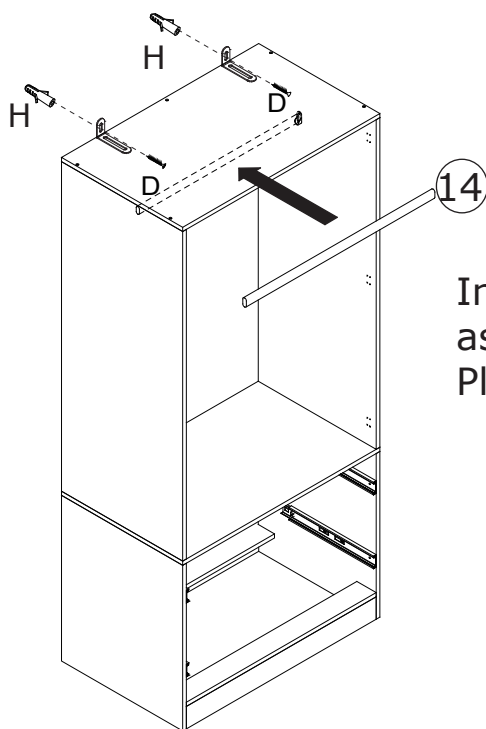


17

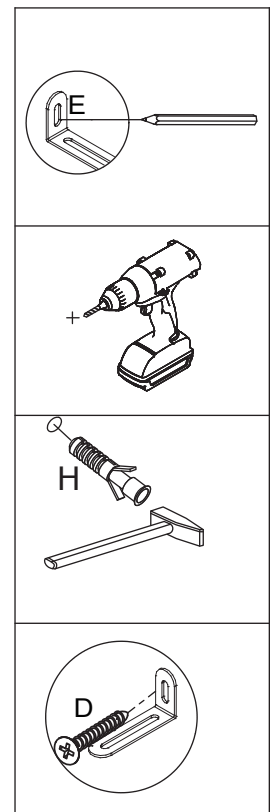


Insert buckle(G) into back slots and fix with screw(F) as shown.
 Fix part(E) to top board with screw(F) as shown.

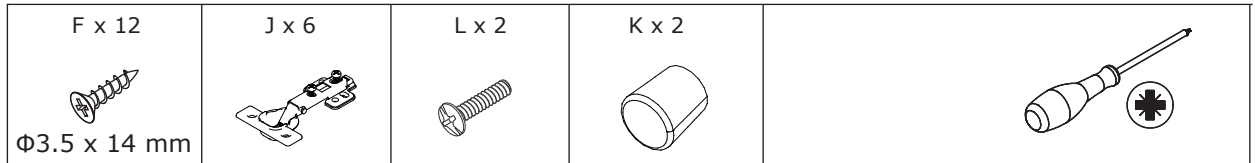
18



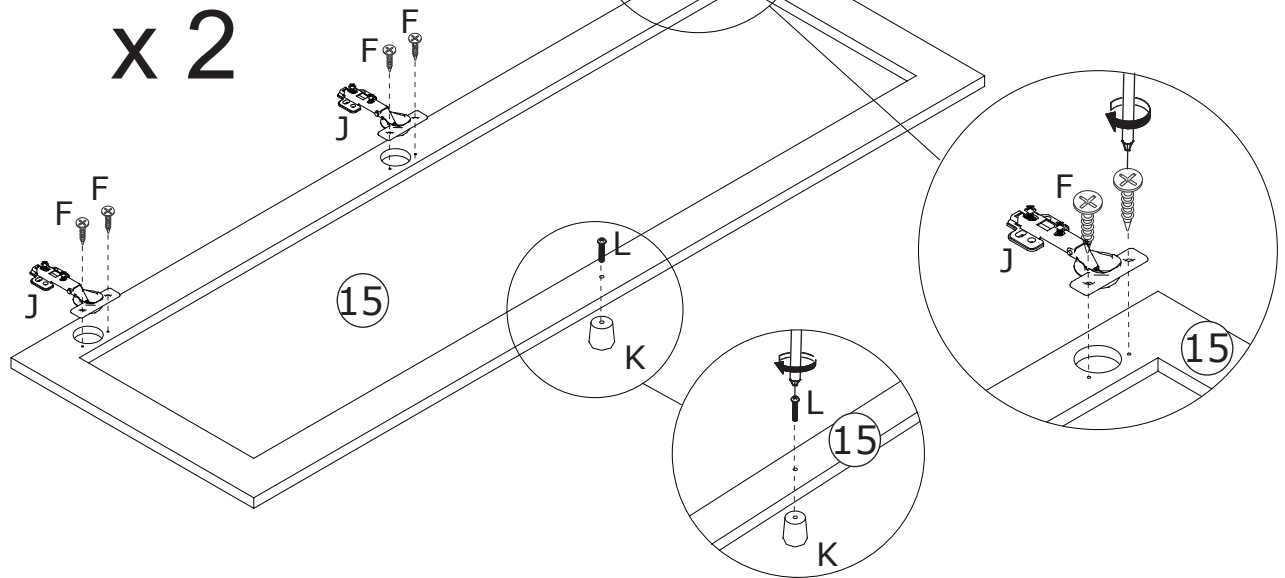
Install anti-tipping device as shown.
 Place clothing rod 14 in.



19



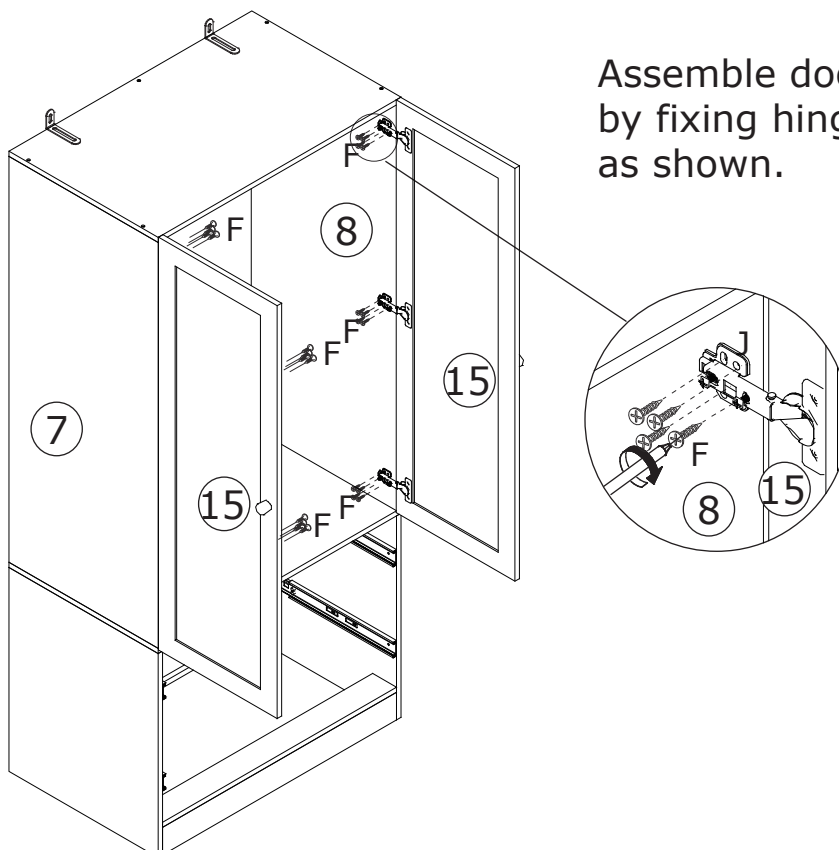
Fix hinge(J) to board 15 with screw(F) as shown.
Fix knob(K) with screw(L).



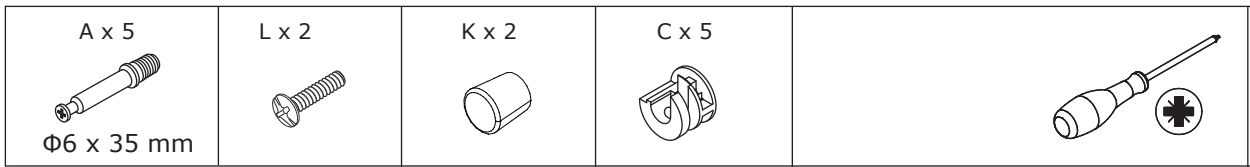
20



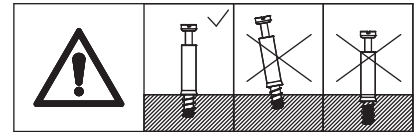
Assemble door 15 to board 7 and 8 by fixing hinge with screw(F) as shown.



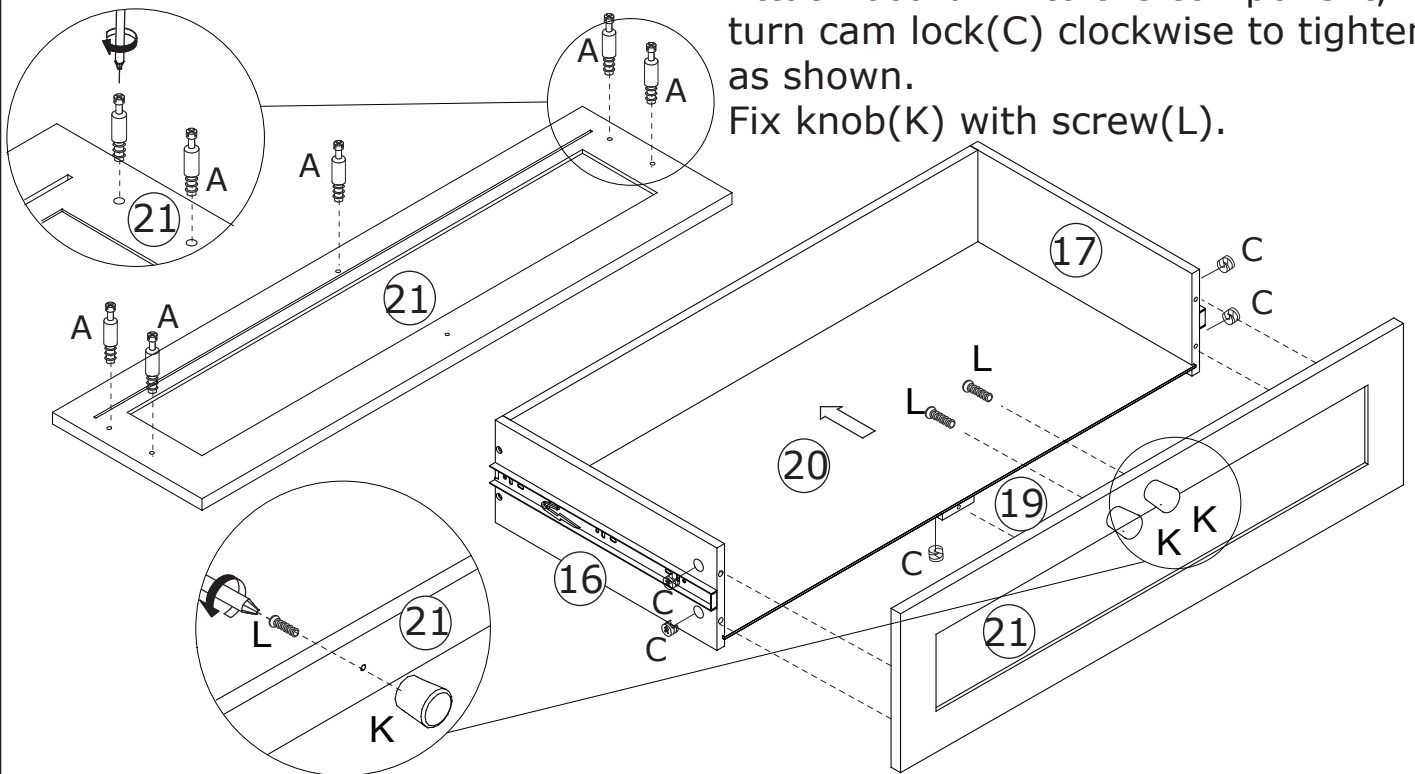
23



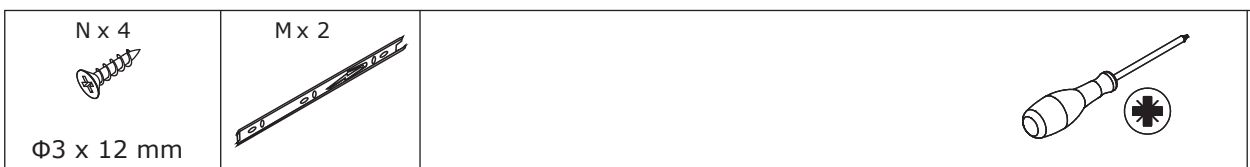
Screw eccentric rod(A) into board 21.
Insert board 20 along grooves
as shown.



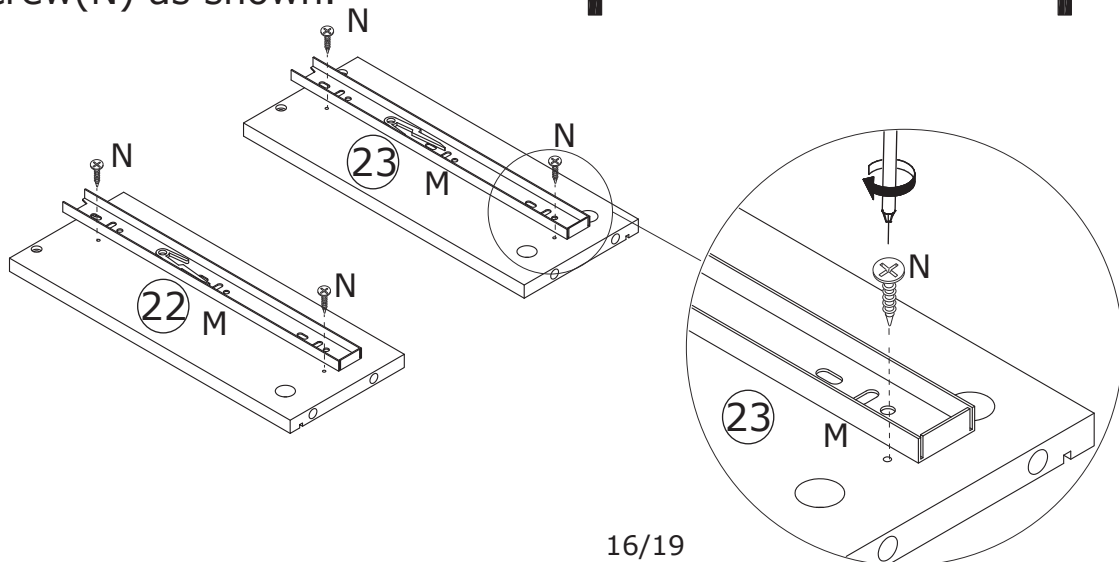
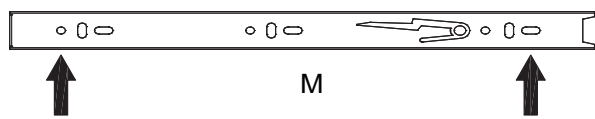
Attach board 21 to the component,
turn cam lock(C) clockwise to tighten
as shown.
Fix knob(K) with screw(L).



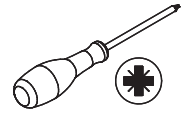
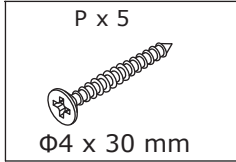
24



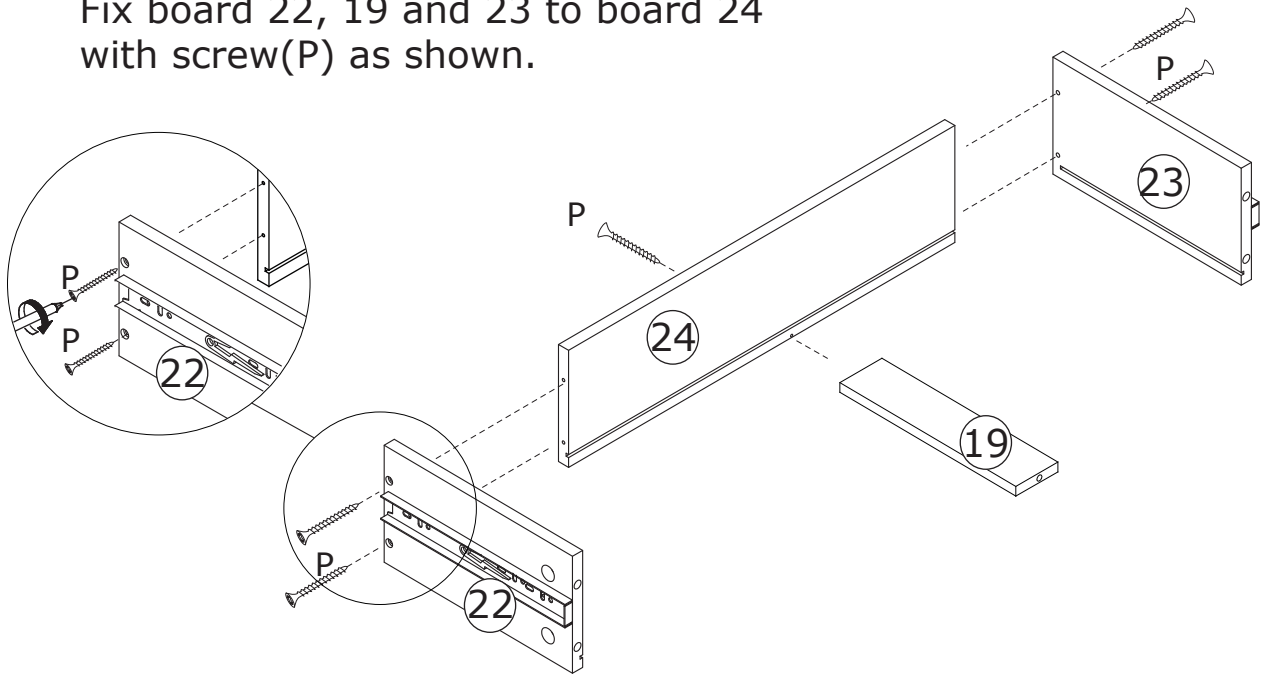
Fix runner(M) to board 22
and 23 respectively with
screw(N) as shown.



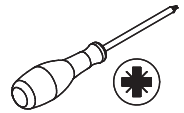
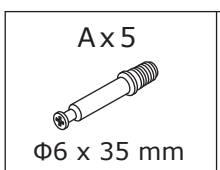
25



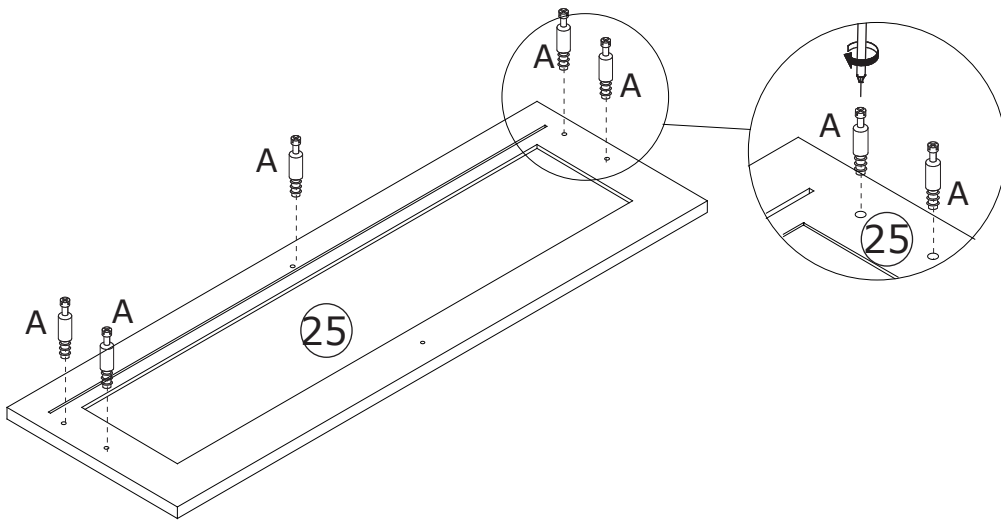
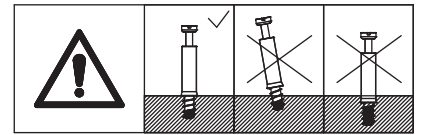
Fix board 22, 19 and 23 to board 24 with screw(P) as shown.



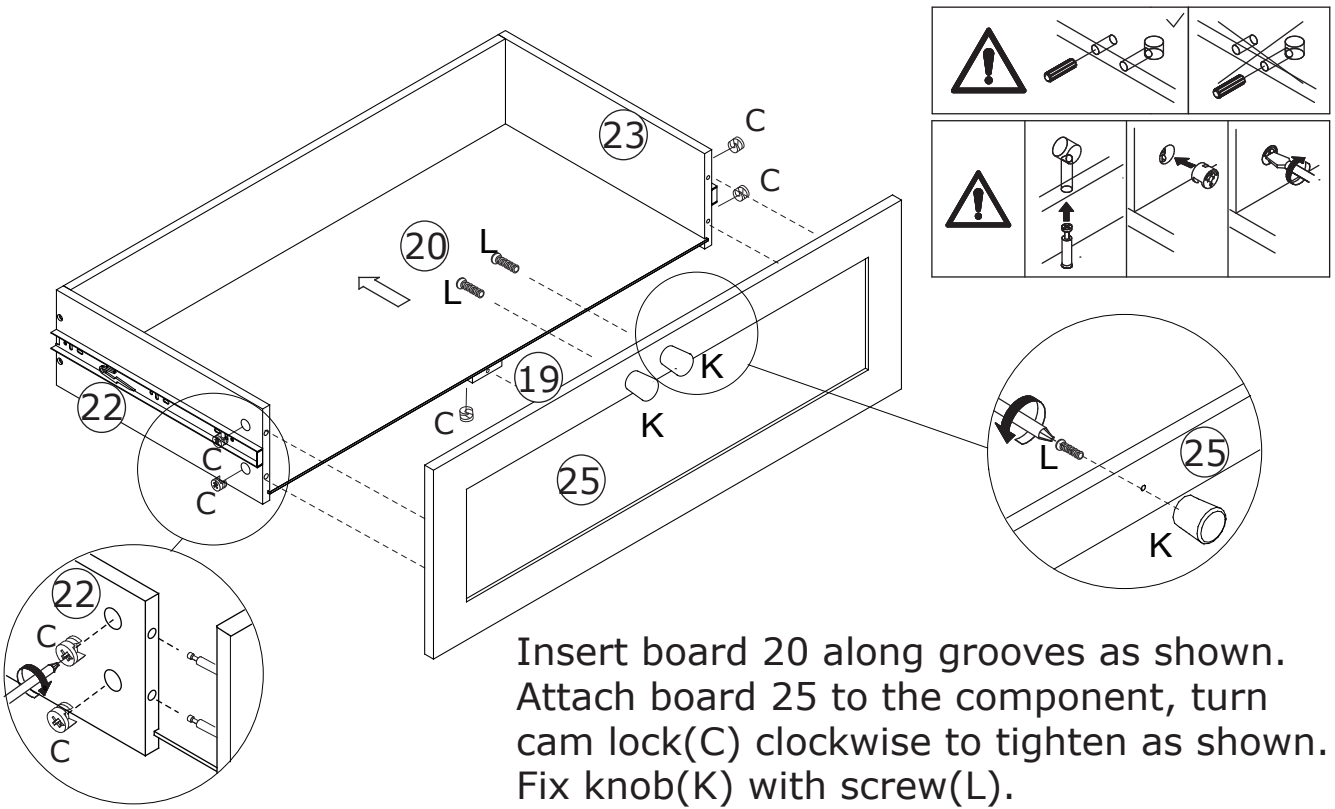
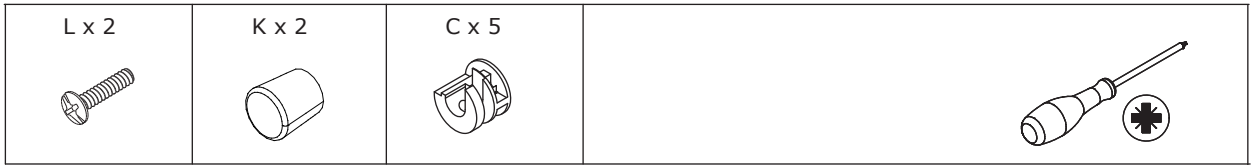
26



Screw eccentric rod(A) into board 25 with a screwdriver.



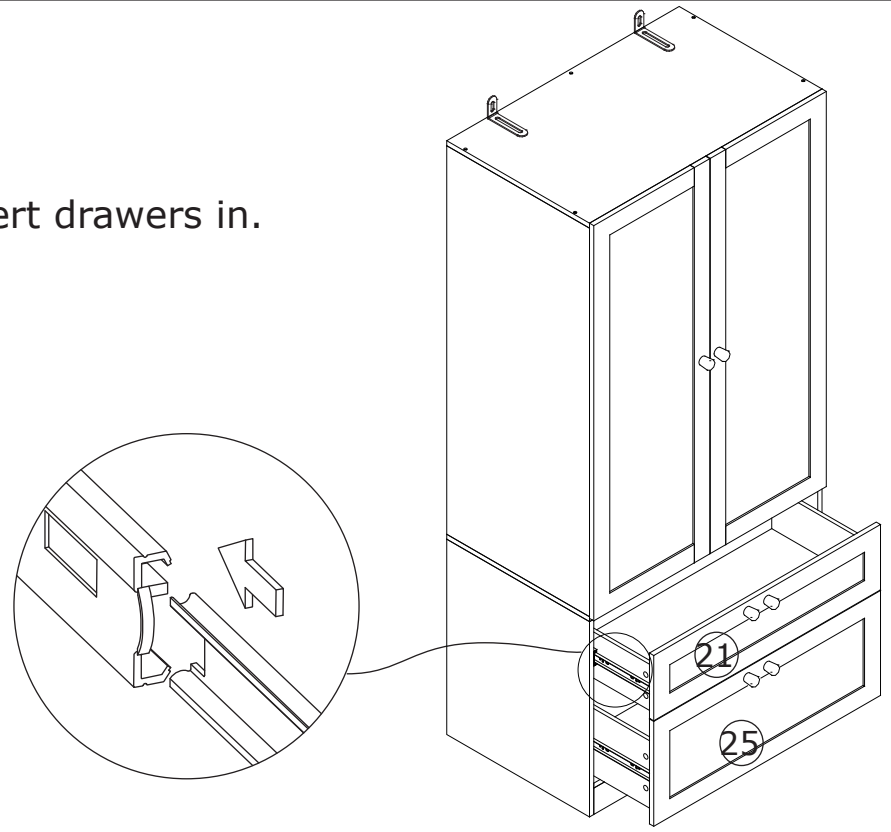
27

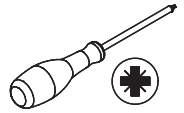


Insert board 20 along grooves as shown. Attach board 25 to the component, turn cam lock(C) clockwise to tighten as shown. Fix knob(K) with screw(L).

28

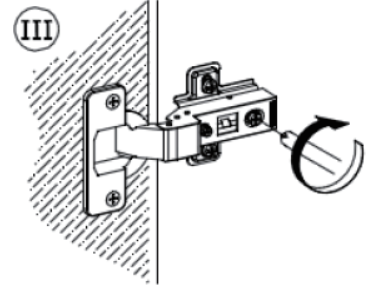
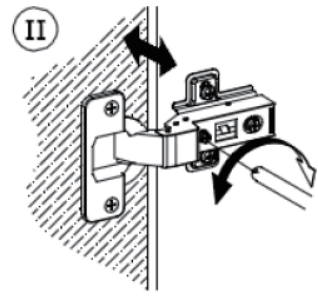
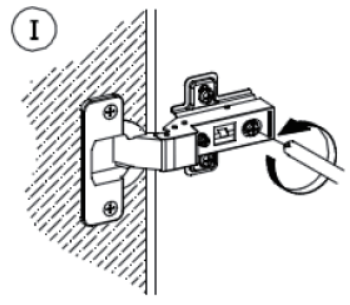
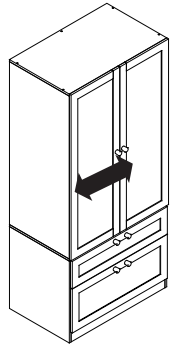
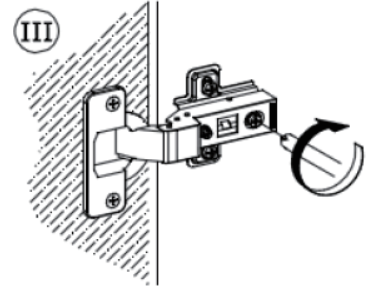
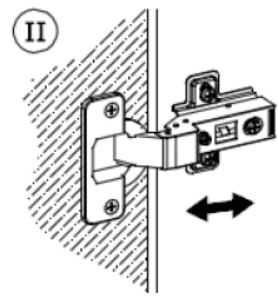
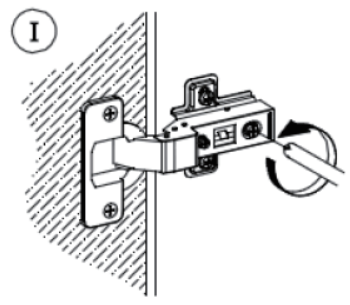
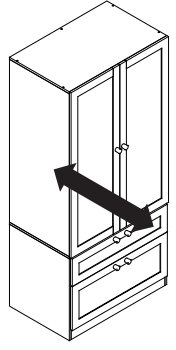
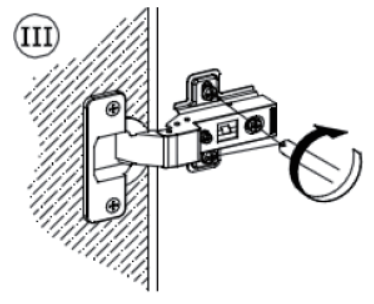
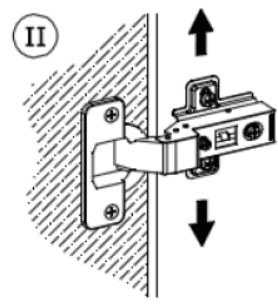
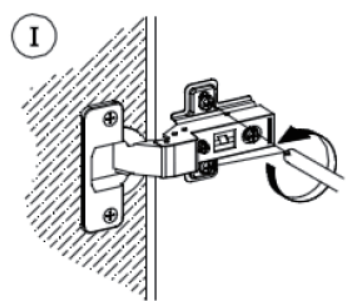
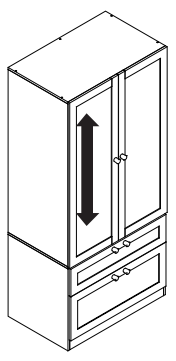
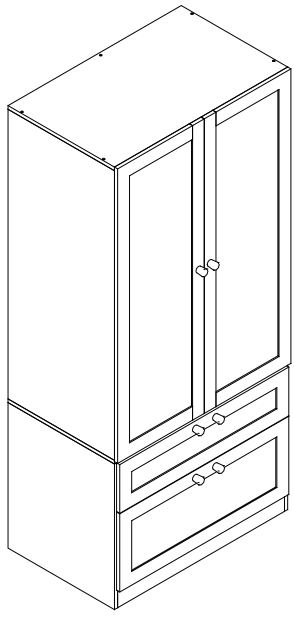
Insert drawers in.





If doors are still not aligned if the hinges are properly correctly, please watch the video.

<https://youtu.be/n0Lb36SoODM>



WARRANTY

WARRANTY CLAIMS

- There is a 30-day warranty for broken furniture or any other problems that do not work properly. The warranty will start from the date of purchase which must be verified by proof of purchase.
- Before making a claim, we may be able to answer your query, simply call us. Please leave your purchase order number, along with some details of the problem, if you want a replacement part. We will arrange within 48 hours. If there is out of stock, we will reply with a shipping date.
- The product must be used in accordance with the instructions provided. For health reasons.
- For other reasons, if the furniture needs to be returned, it must be cleaned and dried and operated within 30 days of receipt.

Type of Warranty Claim

- Failure to follow the furniture instructions will invalidate the warranty. Attention please.
- Does not include damage during installation, but includes damage during transportation.

Scope of responsibility

- Shall not bear any responsibility for misuse or user damage and / or loss of parts during the installation of furniture.
- After using, the damage and scratches of the furniture are not covered by the warranty.

The Warranty Relates to All Bought in The Us and Covers The Following Areas

- Sheet parts: 1 month from the date of purchase.
- Electrical parts: 1 month from the date of purchase.

RETURNS

CHANGED YOUR MIND AND NEED TO RETURN YOU ITEM?

PLEASE FOLLOW THE BELOW INSTRUCTIONS:

- If you have purchased and have simply changed your mind, follow the retailer's instructions for returns.

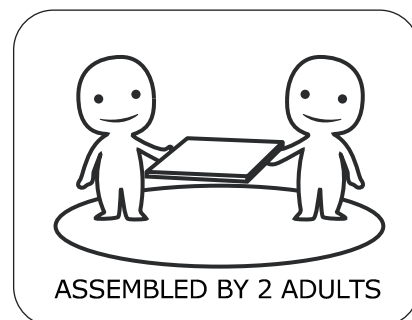
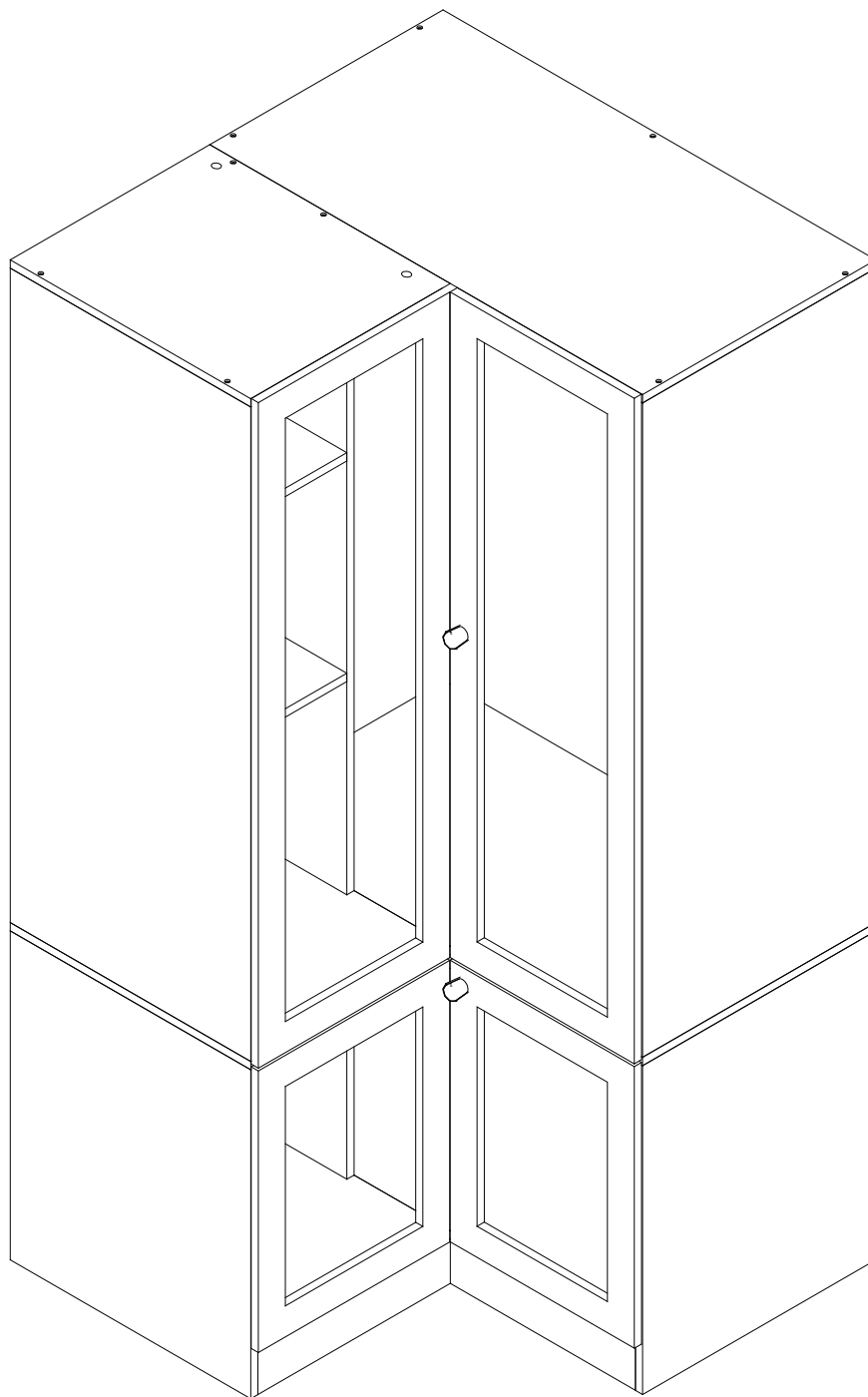
DEFECTIVE ITEMS

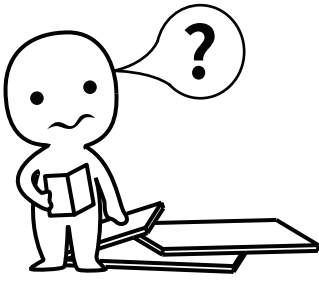
- If your item is defective in any way, i.e. it doesn't work but you can't identify why, in the first instance, please call us.

DAMAGED ITEMS

- If you receive an order with obvious shipping damage from the retailer, then we suggest the delivery is refused. If the delivery has been accepted and then shipping damage is found, please follow the specific instructions advised by the retailer.
In all circumstances please save all packaging material and paperwork for the order. Please be aware that if you dispose of packaging material or attempt to return the merchandise without contacting the fulfiller, you jeopardise your chances of making a claim, and you may not receive a credit for the return.

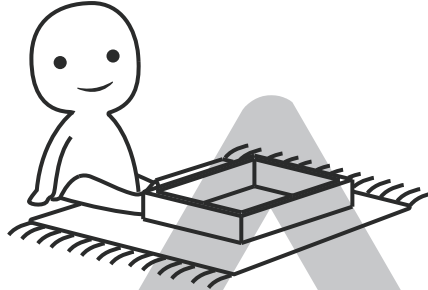
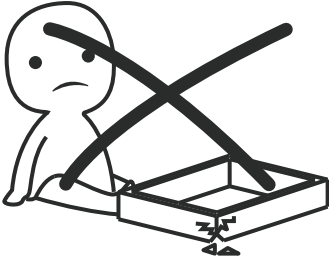
Display Cabinet





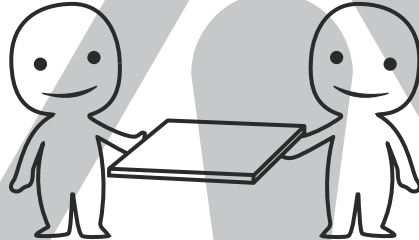
IMPORTANT INFORMATION!

please read the entire manual before starting to assemble and/or using this product. follow the manual thoroughly and keep it for further reference.



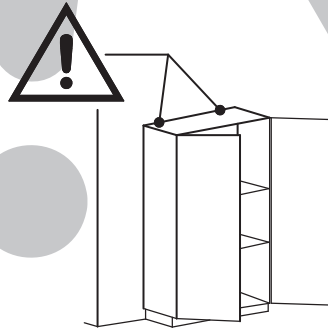
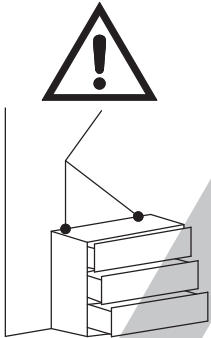
AVOID SCRATCHES!

In order to avoid scratching this furniture should be assembled on a soft layer- could be a rug.



IMPROVE EFFICIENCY !

Try to find a partner to install with you, which can speed up the installation efficiency and shorten the time.



ANTI-TOPPLE WARNING !

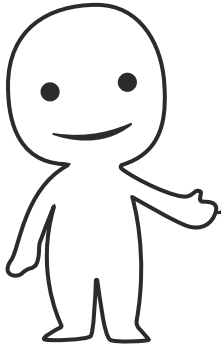
Overtured furniture can cause serious or fatal crush injuries. To prevent tipping over, be sure to use the wall attachment, if not included with this product. Please purchase the wall attachment that fit your wall. If unsure, seek professional advice. Please read and follow each step of the instructions carefully.

IMPORTANT !

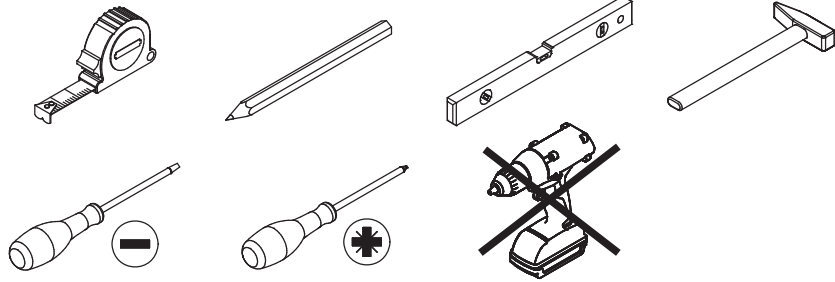
It is important that any product which is assembled using any kind of screw is re-tightened 2 weeks after assembly, and once every 3 months - in order to assure stability through-out the lifespan of the product.

For regular maintenance and cleaning of the product, for the frame, please use a rag dipped in neutral detergent to fully wipe it, and then dry it with a clean rag. For glass materials, wipe with a rag dampened with water glass cleaner, and then dry with a dry rag.

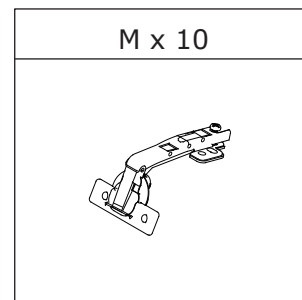
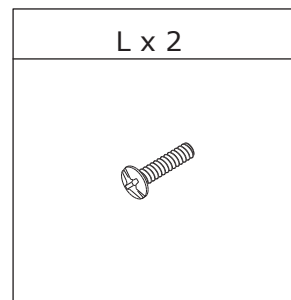
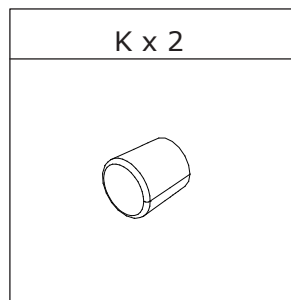
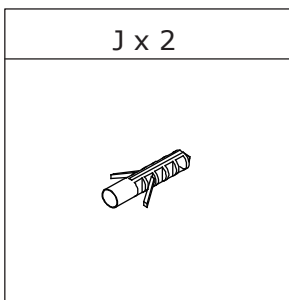
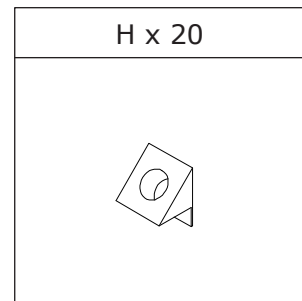
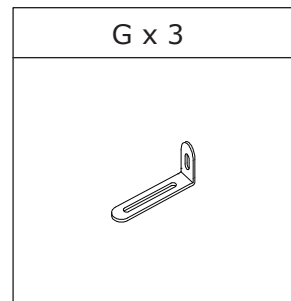
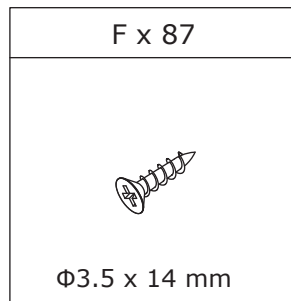
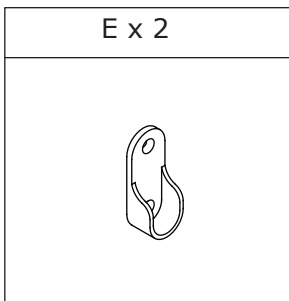
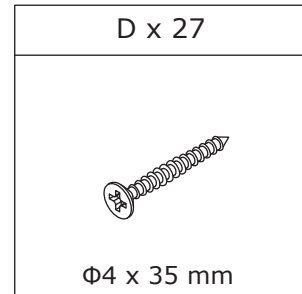
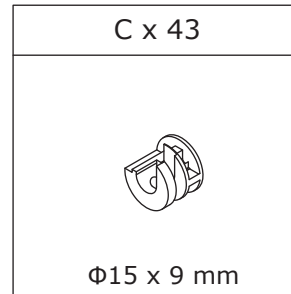
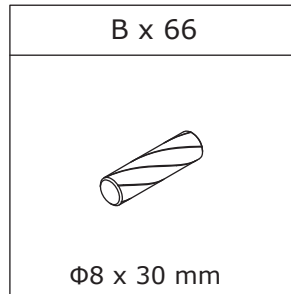
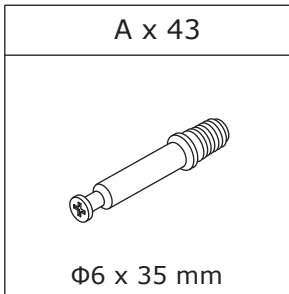
Do not use an electric screwdriver, and do not use too much force when installing, because the board is easy to break.

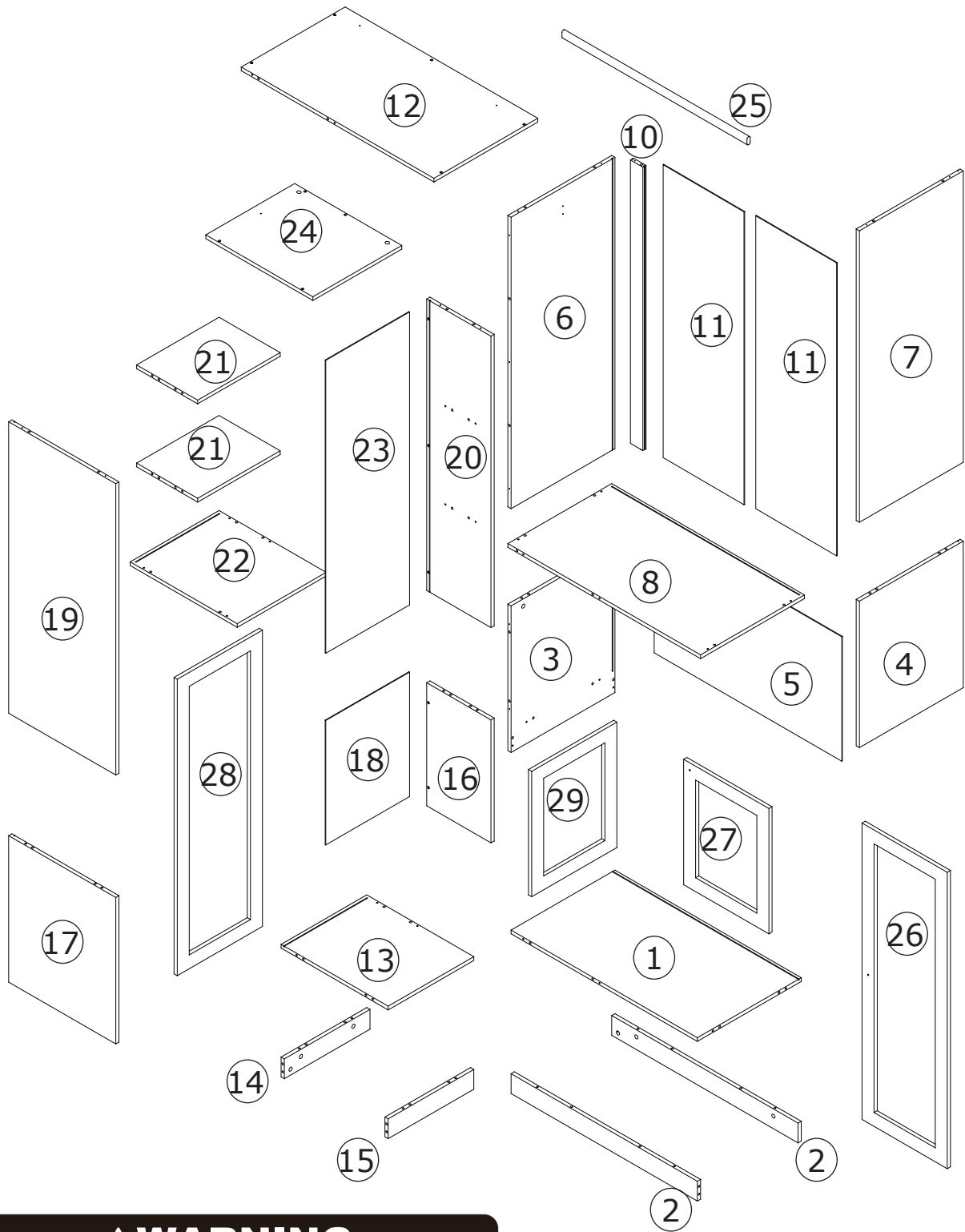


Please prepare the following tools



When installing, please carefully confirm whether each screw corresponds to the manual, accessories with similar shapes can be distinguished by size





⚠ WARNING

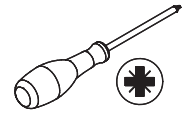
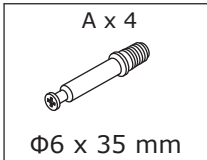


Children have died from furniture tipover. To reduce the risk of furniture tipover:

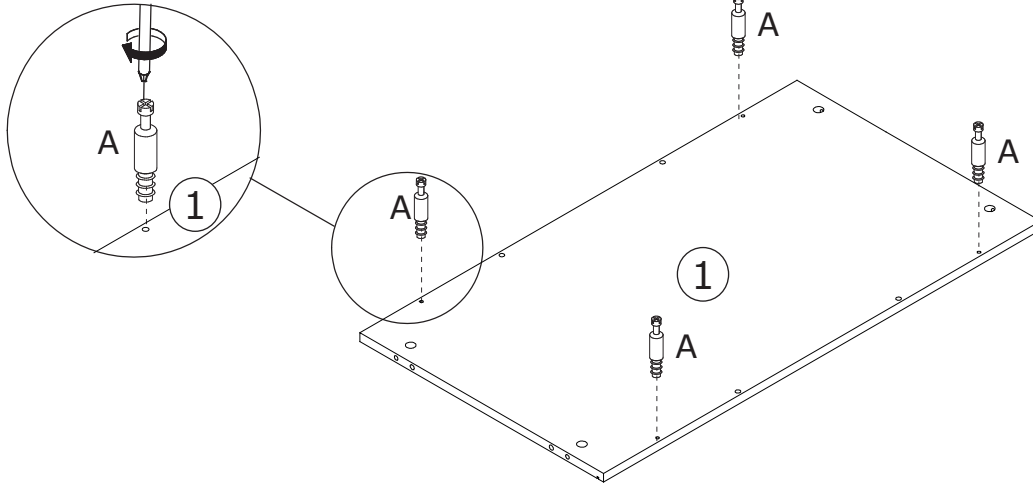
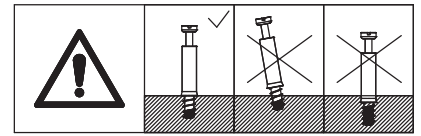
- ALWAYS install tipover restraint provided.
- NEVER put a TV on this product.
- NEVER allow children to stand, climb or hang on drawers, doors, or shelves.
- NEVER open more than one drawer at a time.
- Place heaviest items in the lowest drawers.

*This is a permanent label.
Do not remove!*

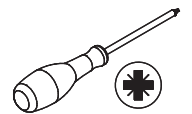
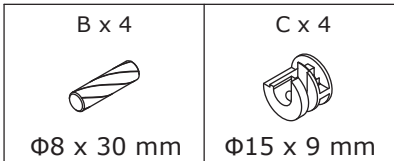
1



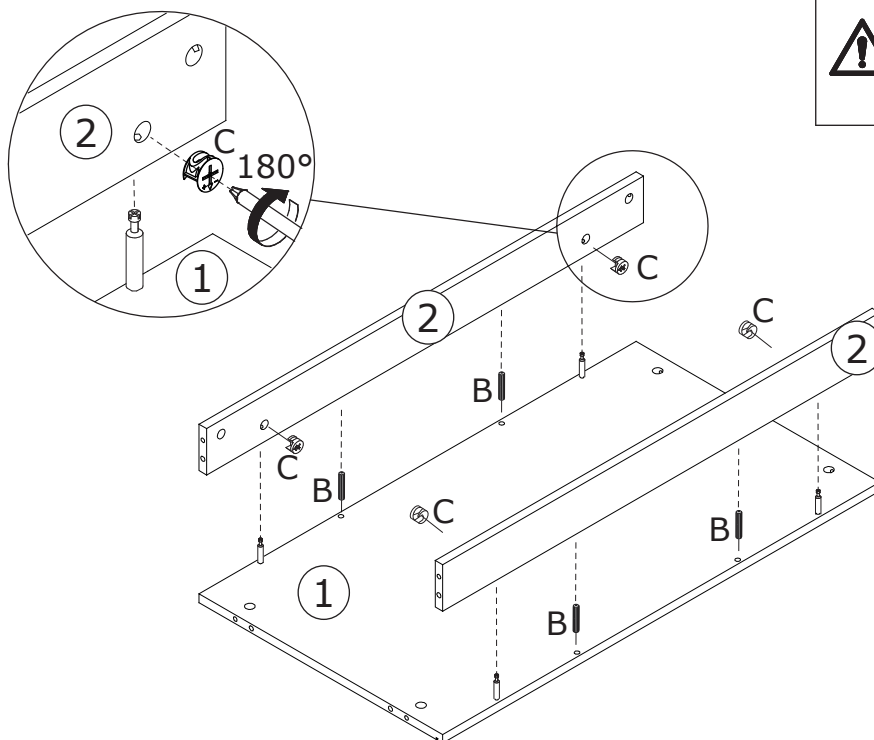
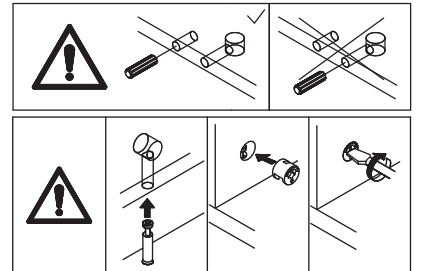
Screw eccentric rod(A) into board 1 with a screwdriver as shown.



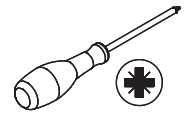
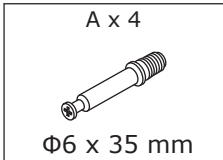
2



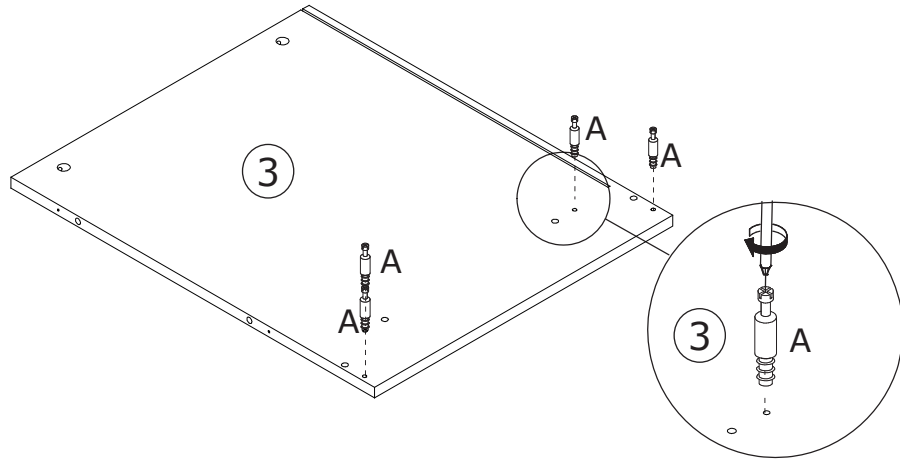
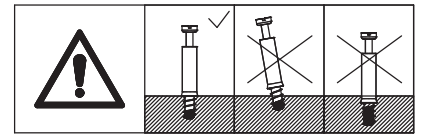
Attach board 2 to the board 1 using wooden dowel(B), add cam lock(C) into board 2 and turn clockwise to tighten as shown.



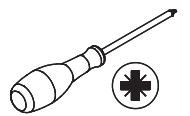
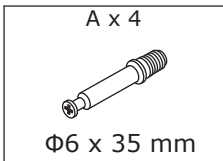
3



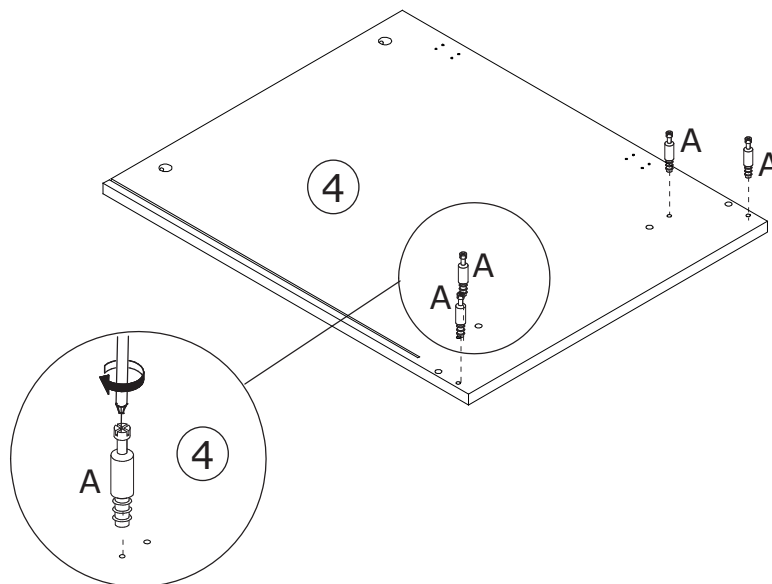
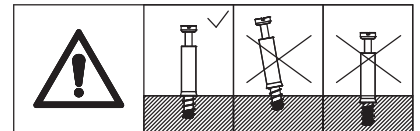
Screw eccentric rod(A) into board 3 with a screwdriver as shown.



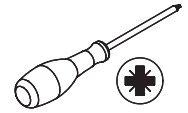
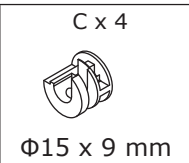
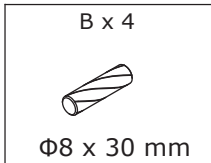
4



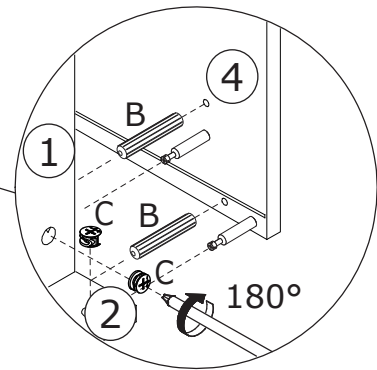
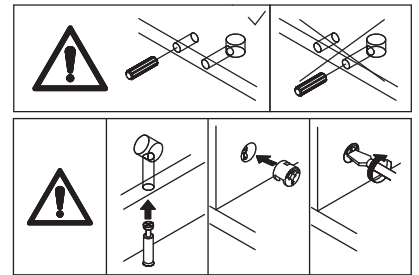
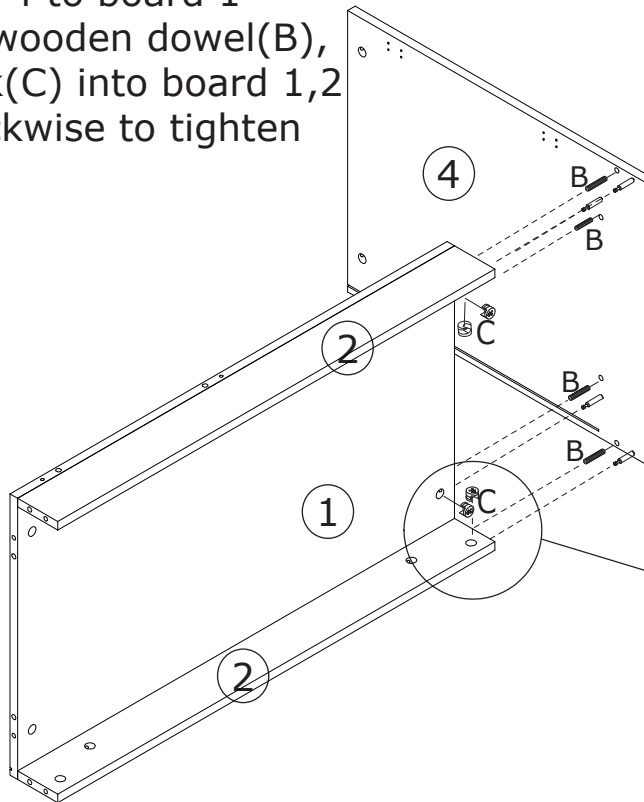
Screw eccentric rod(A) into board 4 with a screwdriver as shown.



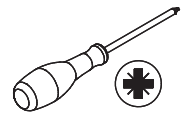
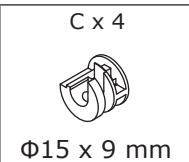
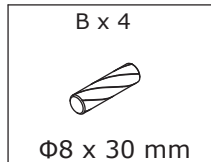
5



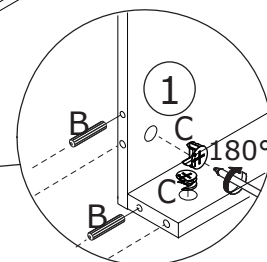
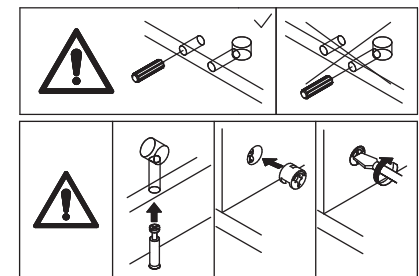
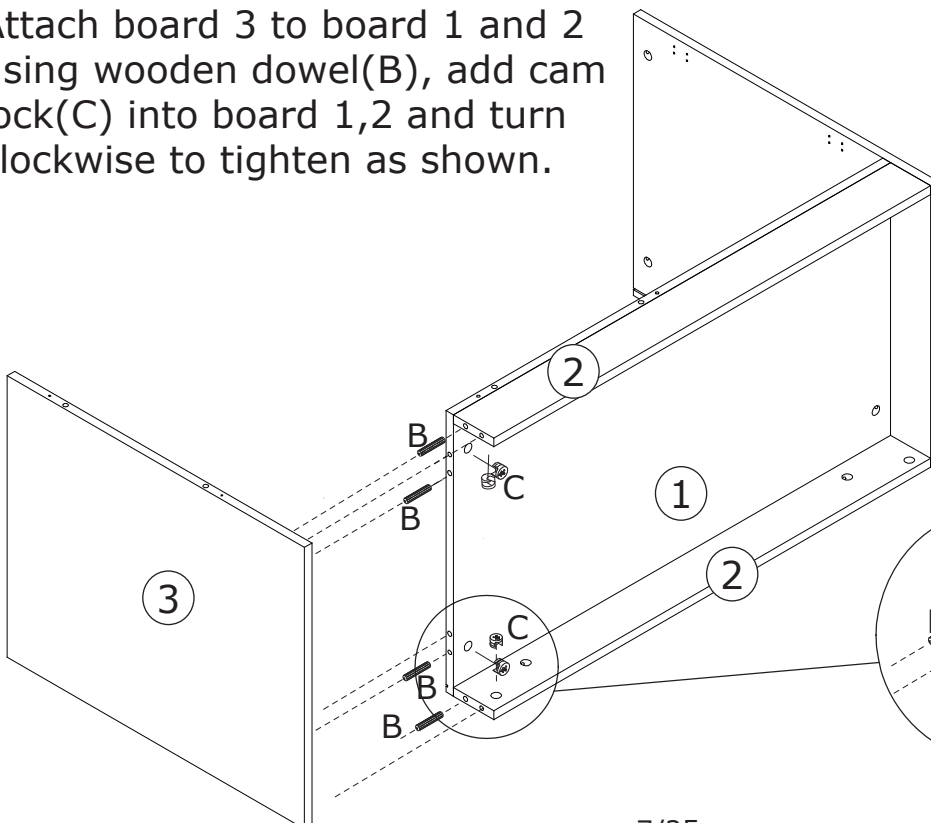
Attach board 4 to board 1 and 2 using wooden dowel(B), add cam lock(C) into board 1,2 and turn clockwise to tighten as shown.



6

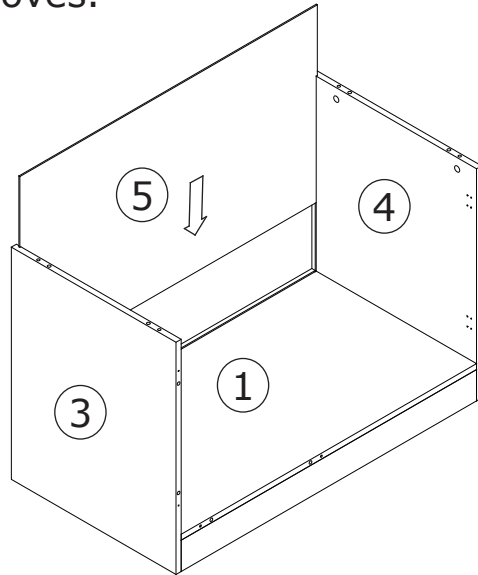


Attach board 3 to board 1 and 2 using wooden dowel(B), add cam lock(C) into board 1,2 and turn clockwise to tighten as shown.



7

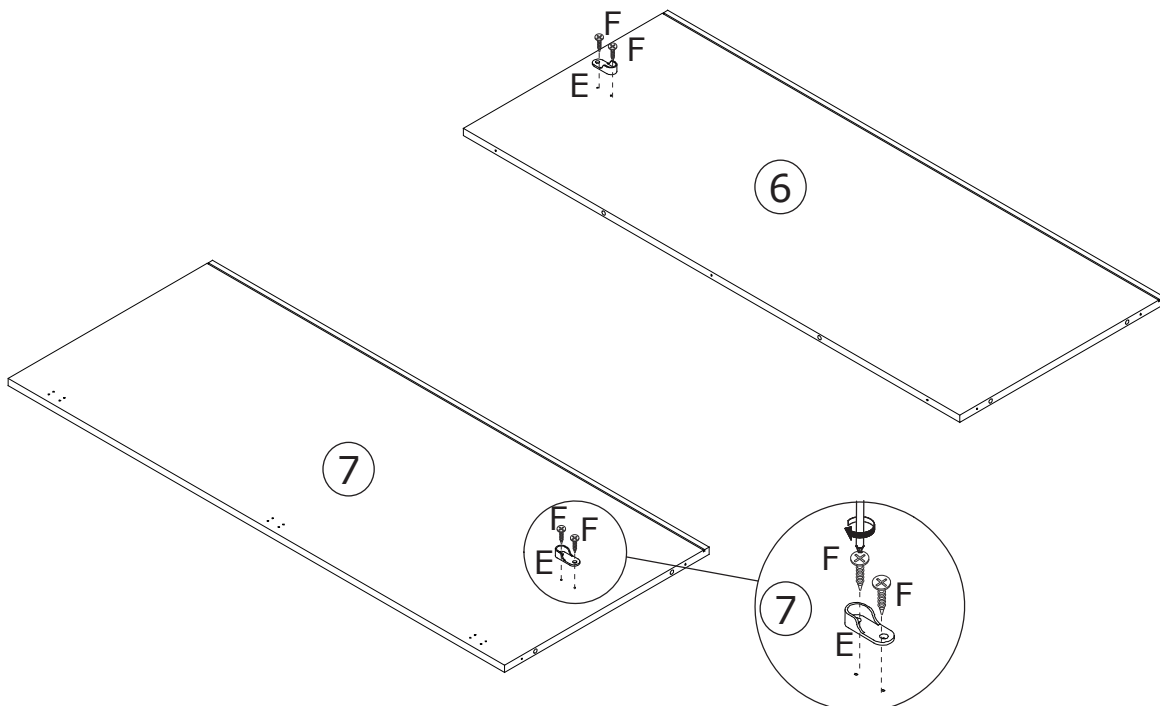
Insert board 5 along available grooves.



8



Fix part(E) to board 6 and 7 with screw(F) as shown.



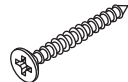
9

B x 4

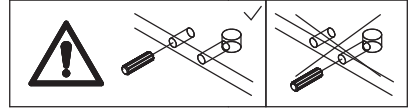
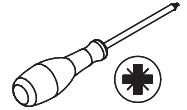


Φ8 x 30 mm

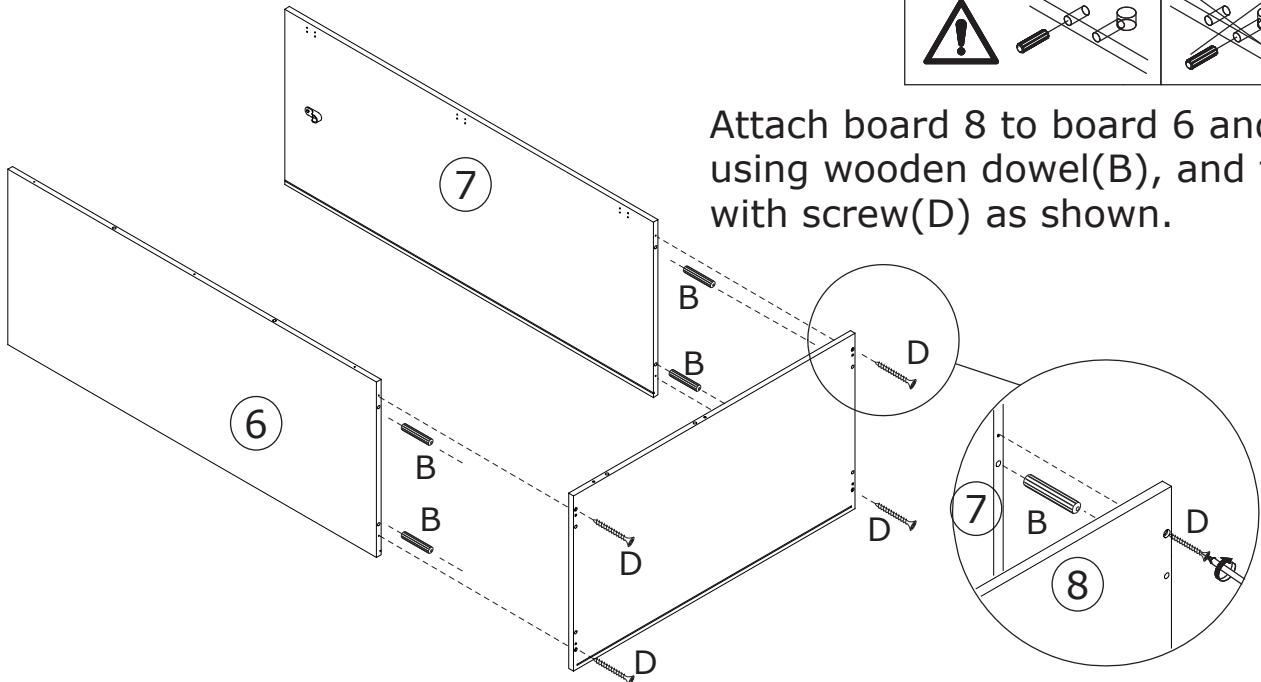
D x 4



Φ4 x 35 mm

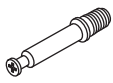


Attach board 8 to board 6 and 7 using wooden dowel(B), and fix with screw(D) as shown.

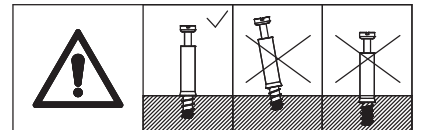
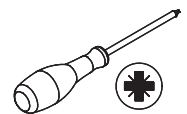


10

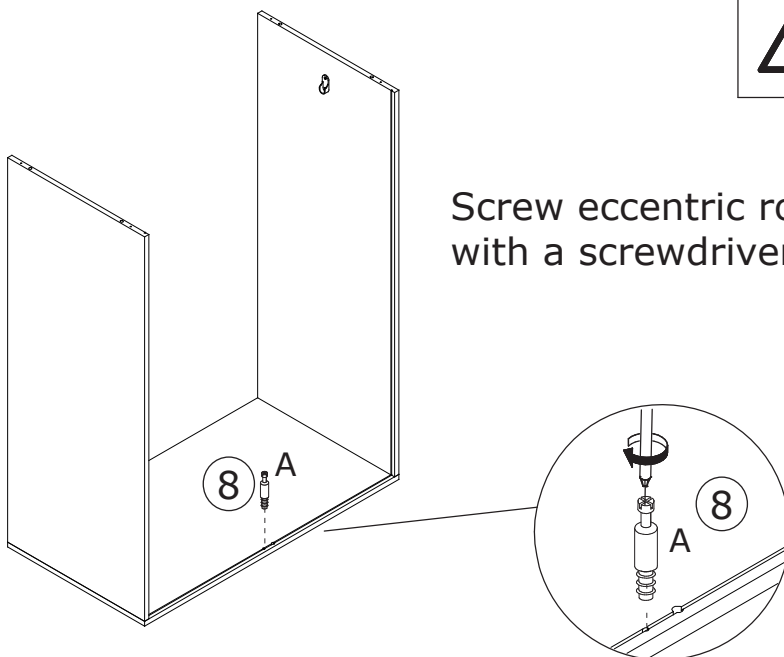
A x 1



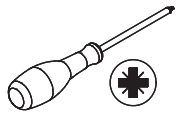
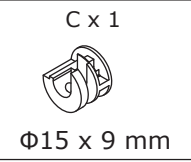
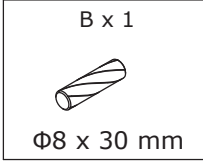
Φ6 x 35 mm



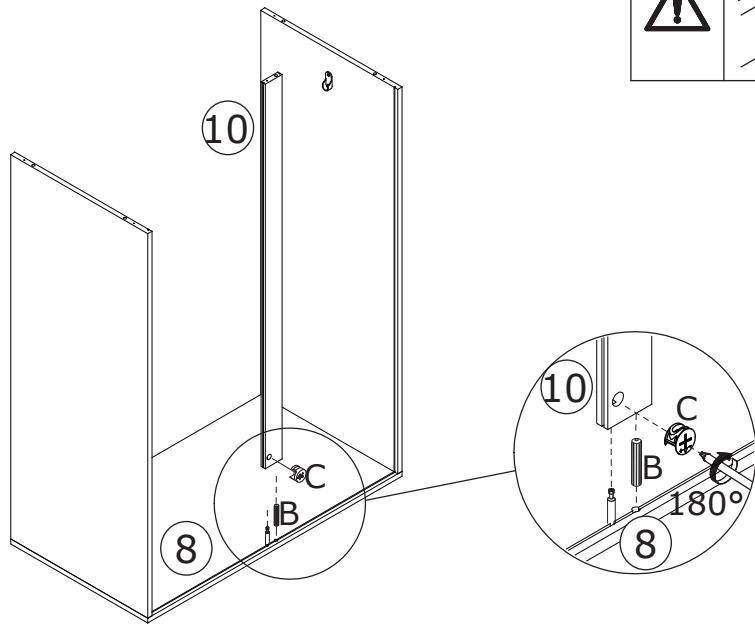
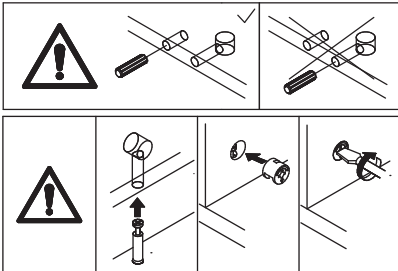
Screw eccentric rod(A) into board 8 with a screwdriver as shown.



11

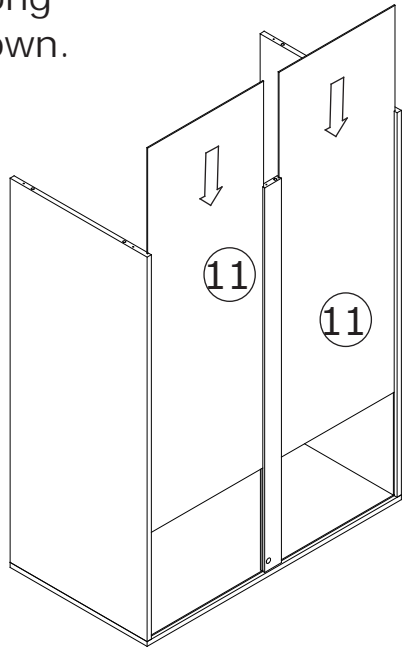


Attach board 10 to board 8 using wooden dowel(B), add cam lock(C) into board 10 and turn clockwise to tighten as shown.

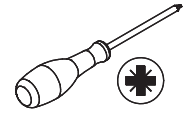
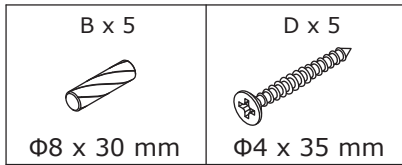


12

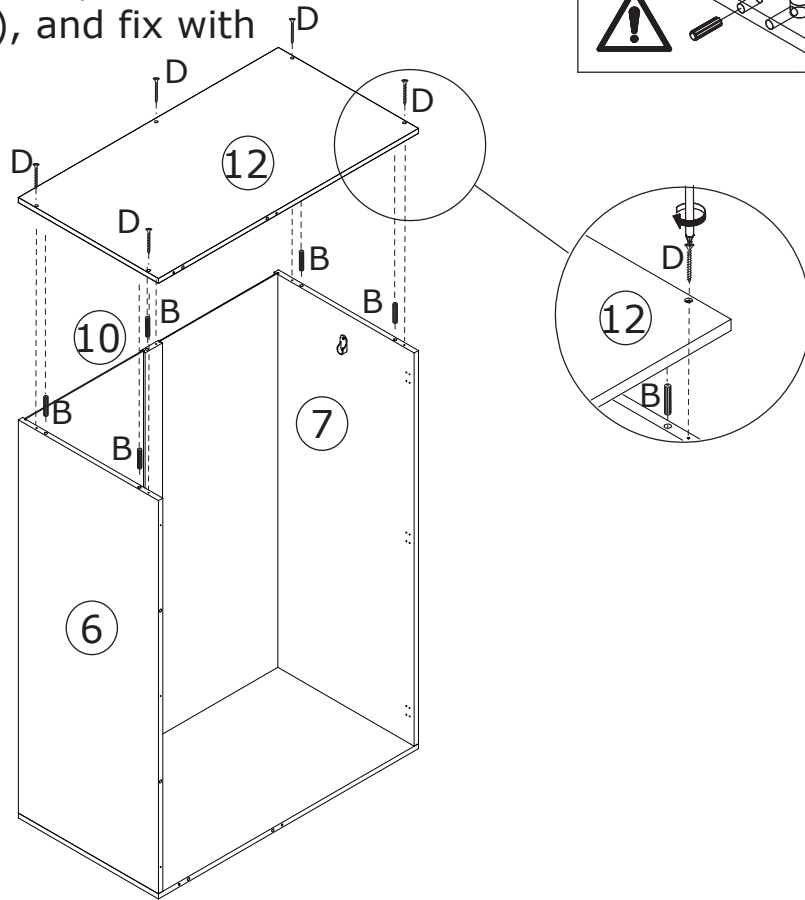
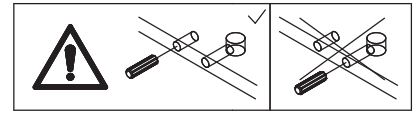
Insert back board 11 along available grooves as shown.



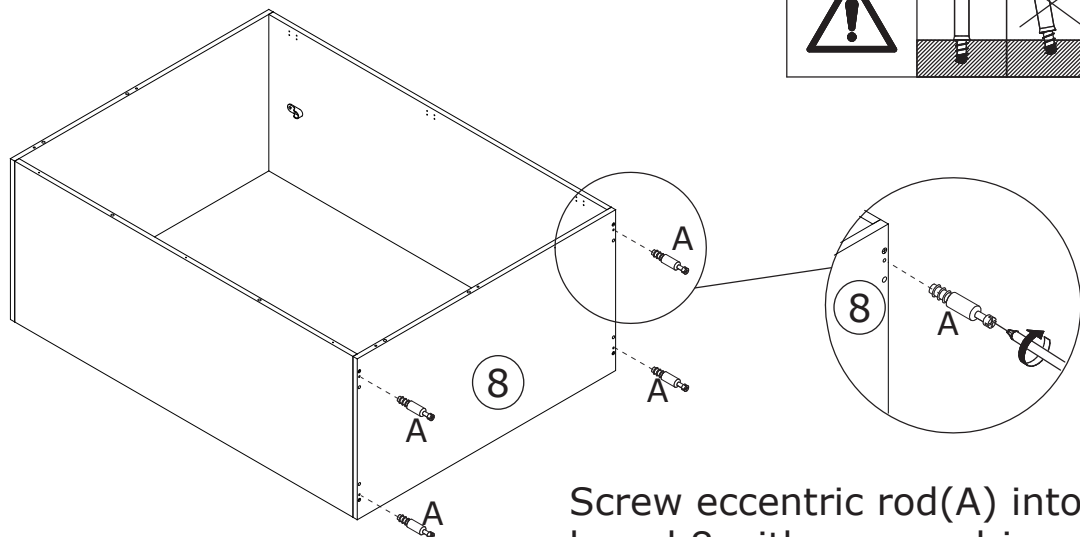
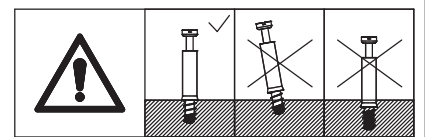
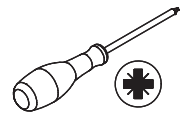
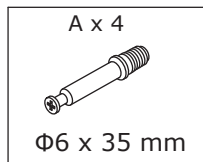
13



Attach board 12 to board 6, 10 and 7 using wooden dowel(B), and fix with screw(D) as shown.



14



Screw eccentric rod(A) into board 8 with a screwdriver as shown.

15

B x 4

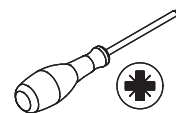


Φ8 x 30 mm

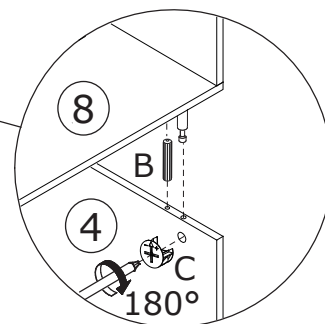
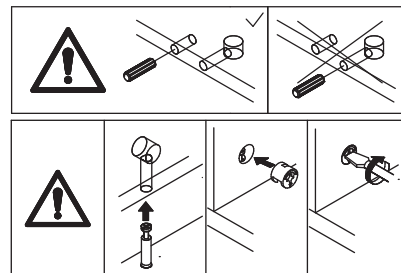
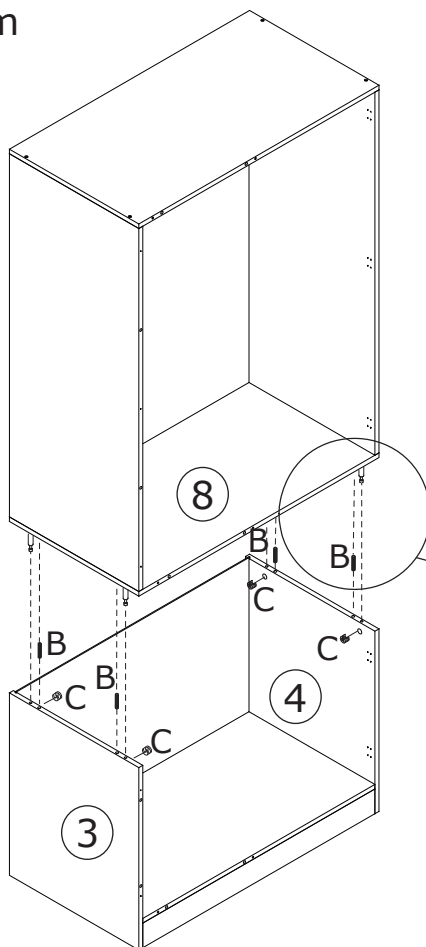
C x 4



Φ15 x 9 mm

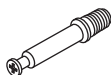


Connect two components using wooden dowel(B), add cam lock(C) into board 3,4 and turn clockwise to tighten as shown.

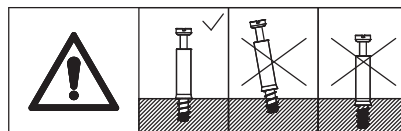
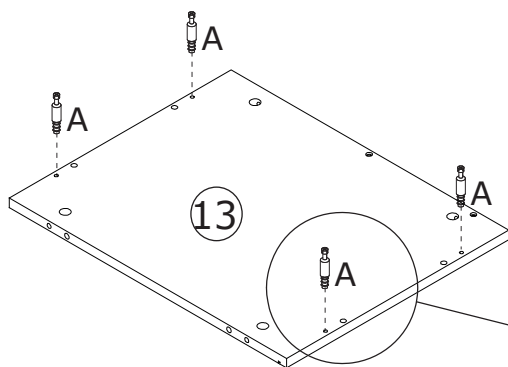


16

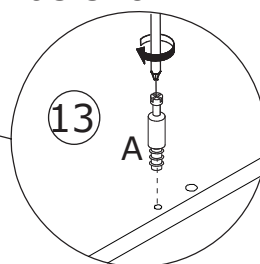
A x 4



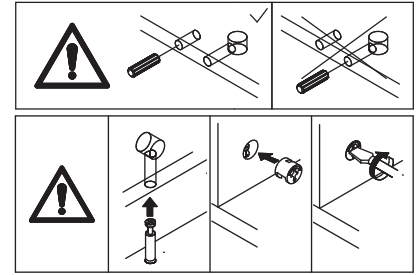
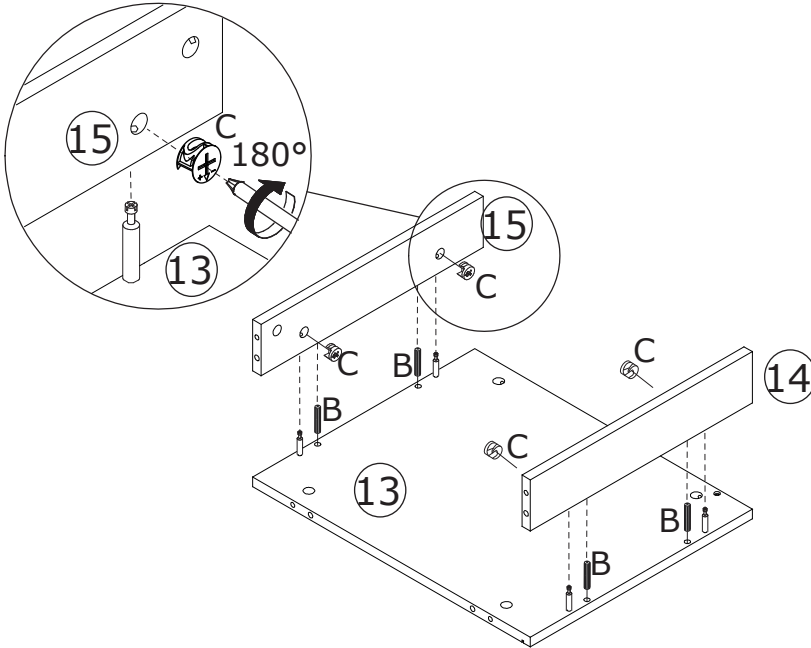
Φ6 x 35 mm



Screw eccentric rod(A) into board 13 with a screwdriver as shown.

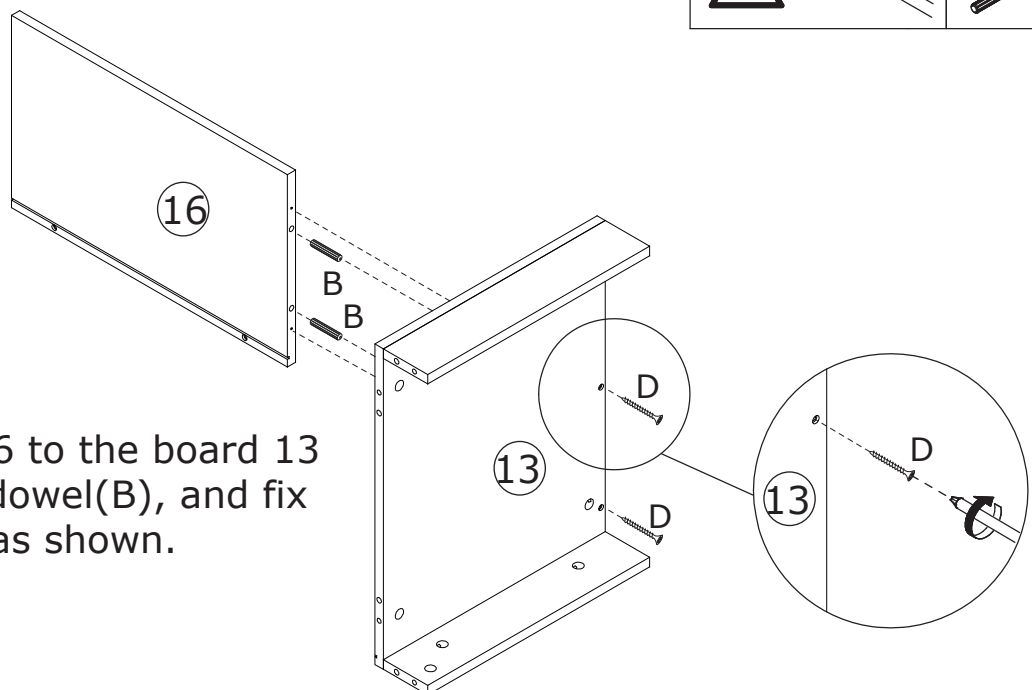


17

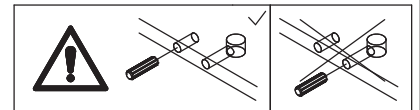


Attach board 14 and 15 to the board 13 using wooden dowel(B), add cam lock(C) into board 14,15 and turn clockwise to tighten as shown.

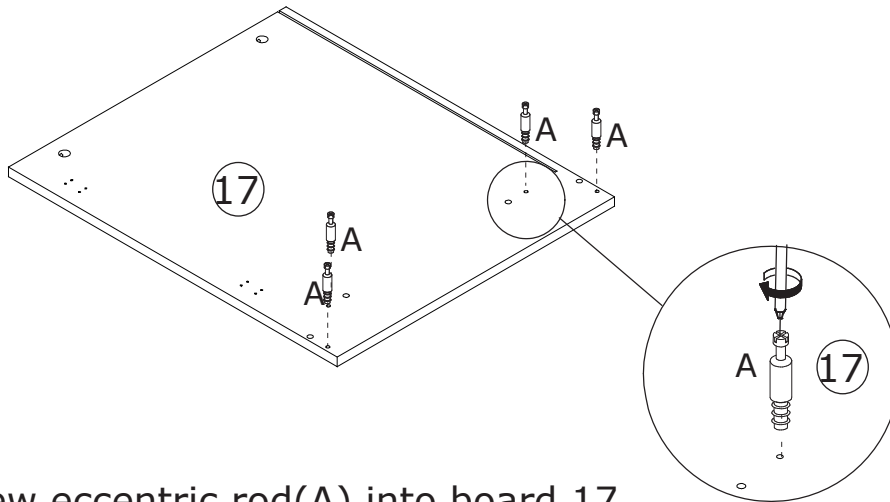
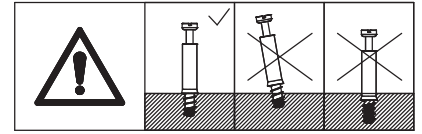
18



Attach board 16 to the board 13 using wooden dowel(B), and fix with screw(D) as shown.



19

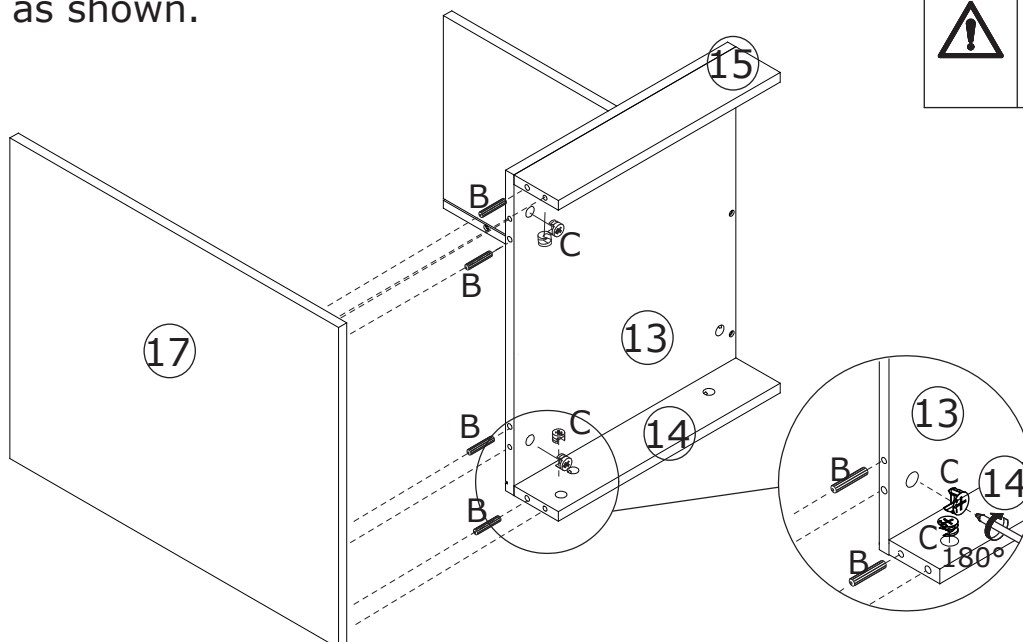
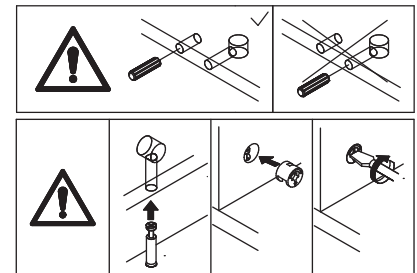


Screw eccentric rod(A) into board 17.

20



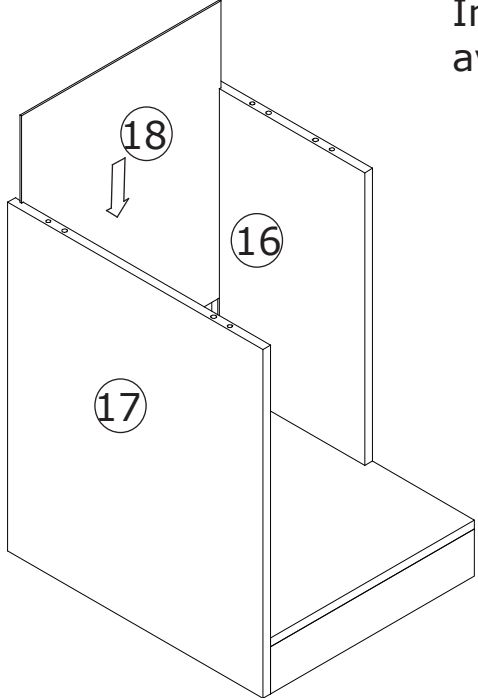
Attach board 17 to board 14, 13 and 15 using wooden dowel(B), add cam lock(C) into board 14,13,15 and turn clockwise to tighten as shown.



21

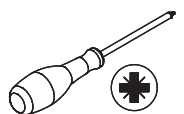


Insert board 18 along available grooves.

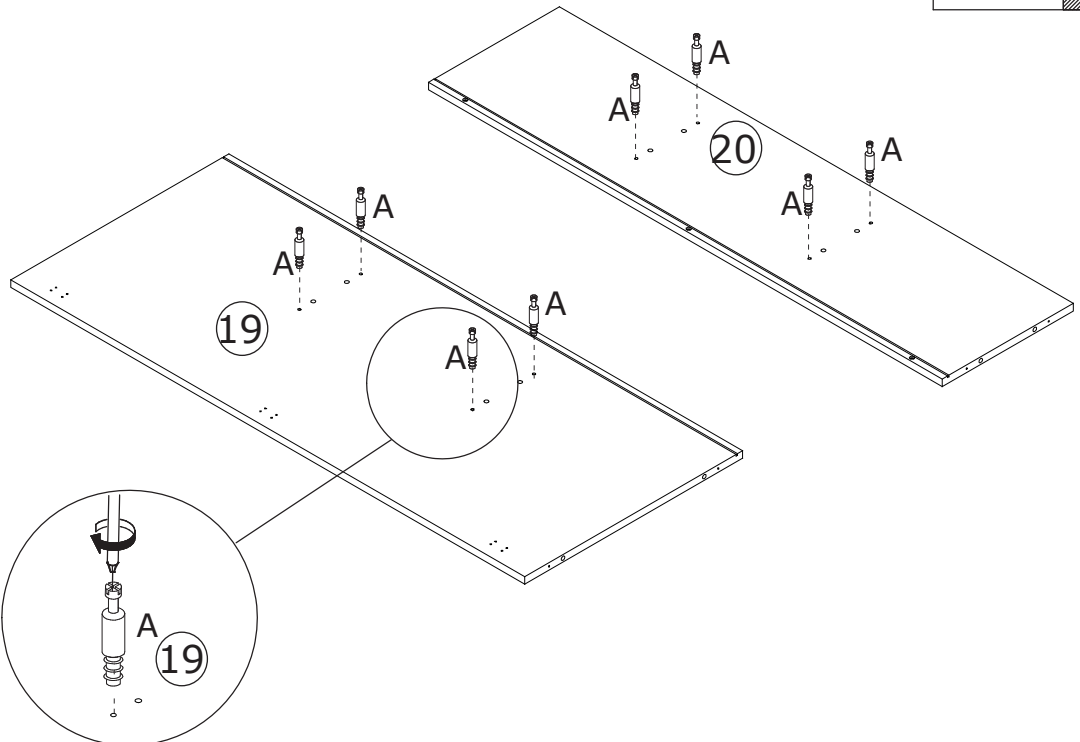
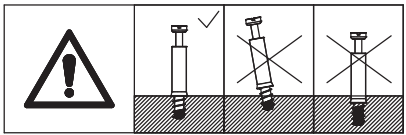


22

A x 8
Φ6 x 35 mm



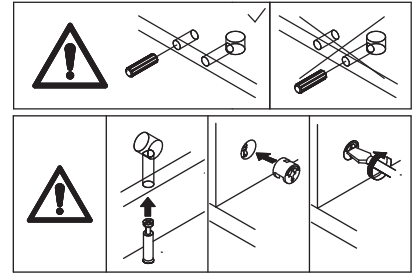
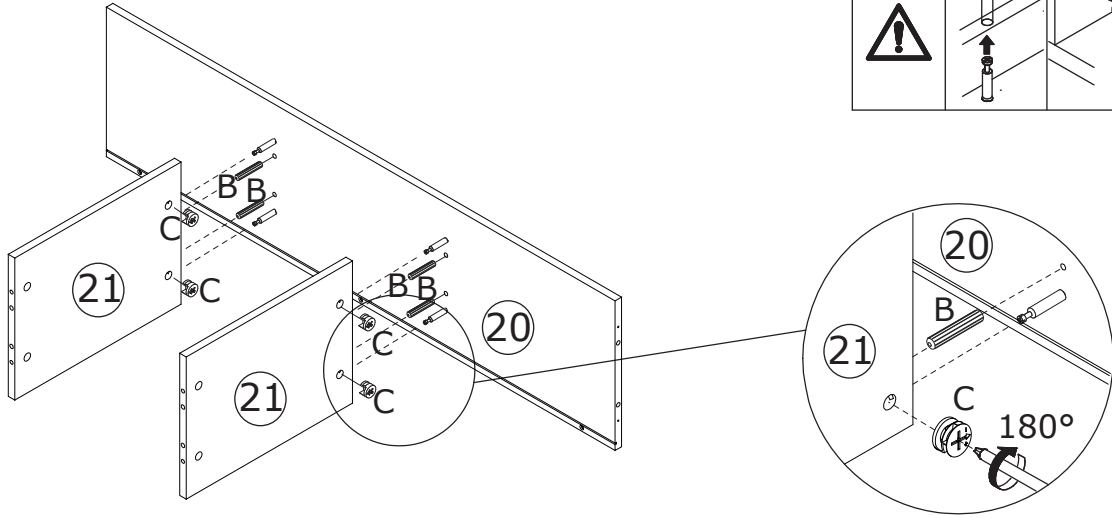
Screw eccentric rod(A) into board 19 and 20.



23

B x 4  Φ8 x 30 mm	C x 4  Φ15 x 9 mm	
--	--	---

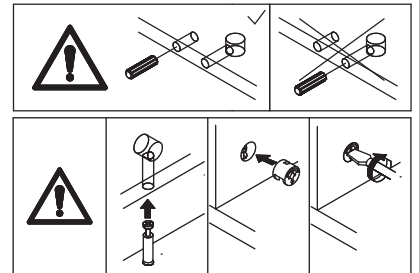
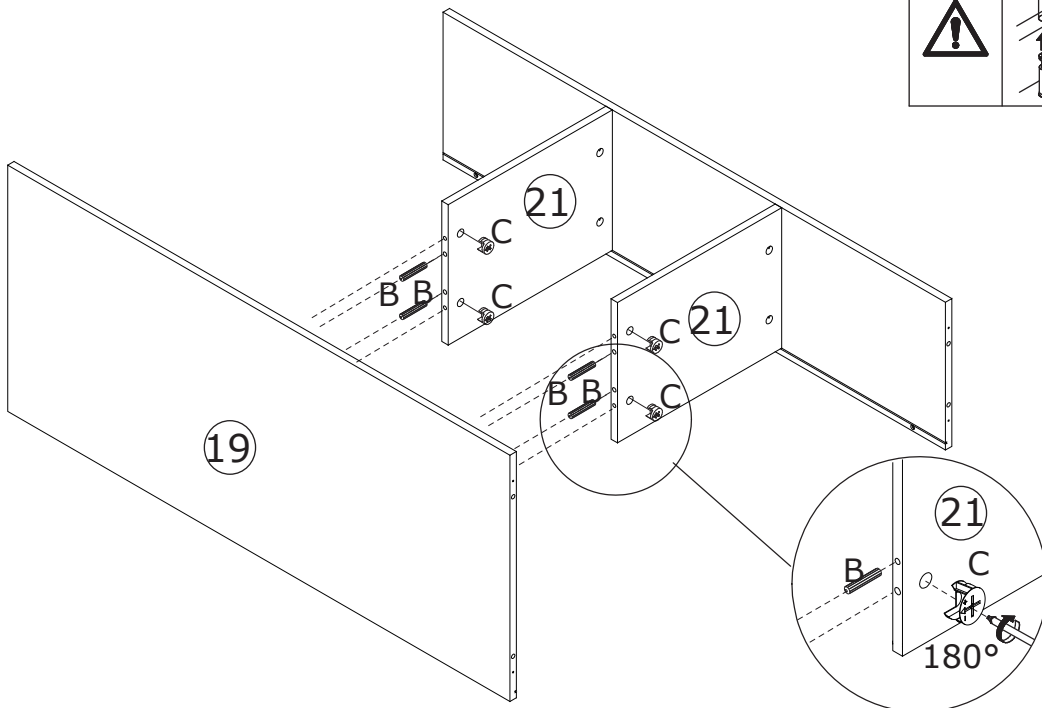
Attach board 21 to board 20 using wooden dowel(B), add cam lock(C) into board 21 and turn clockwise to tighten as shown.



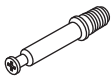
24

B x 4  Φ8 x 30 mm	C x 4  Φ15 x 9 mm	
--	--	---

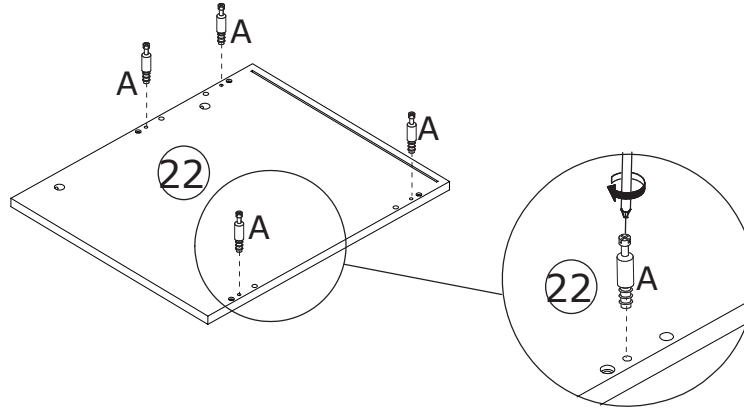
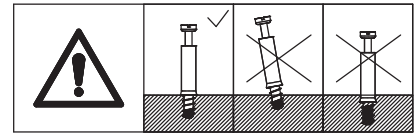
Attach board 19 to board 21 using wooden dowel(B), add cam lock(C) into board 21 and turn clockwise to tighten as shown.



25

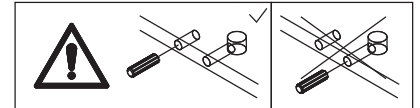
A x 4  Φ6 x 35 mm	
--	---

Screw eccentric rod(A) into board 22.

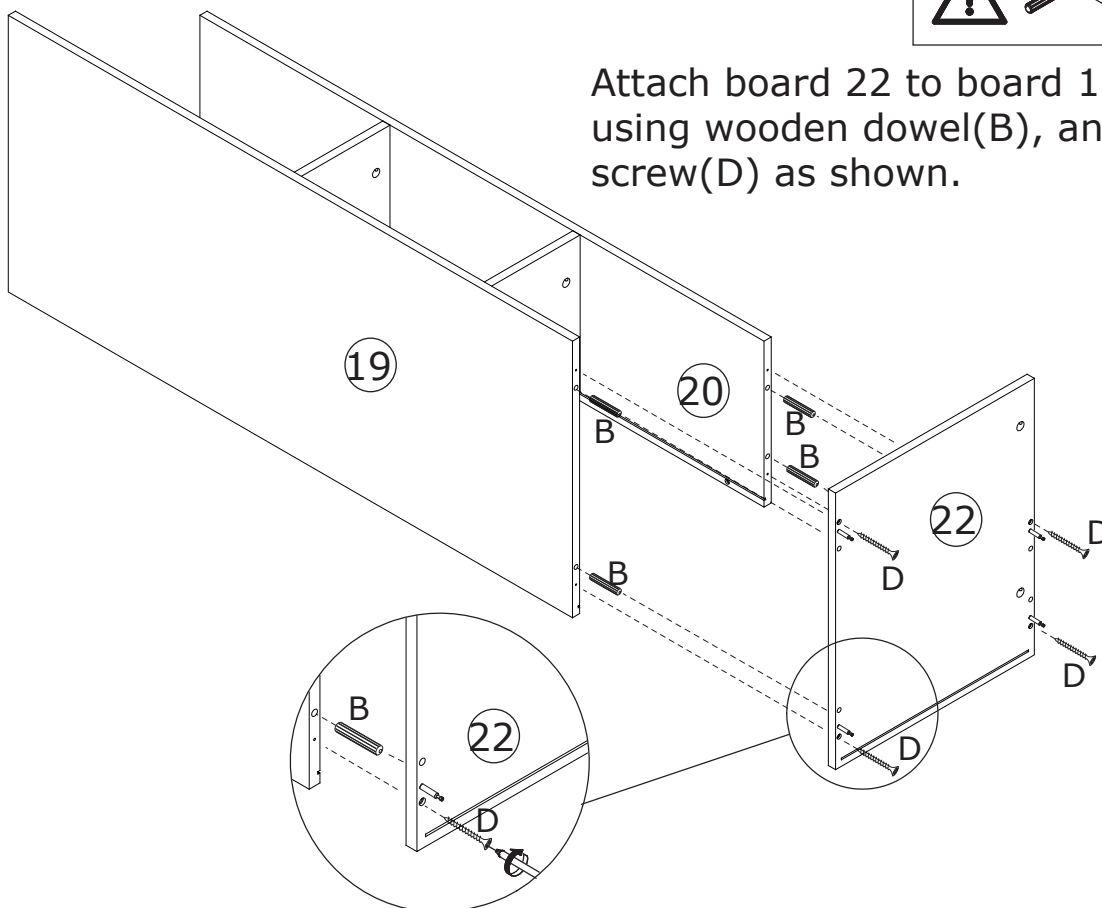


26

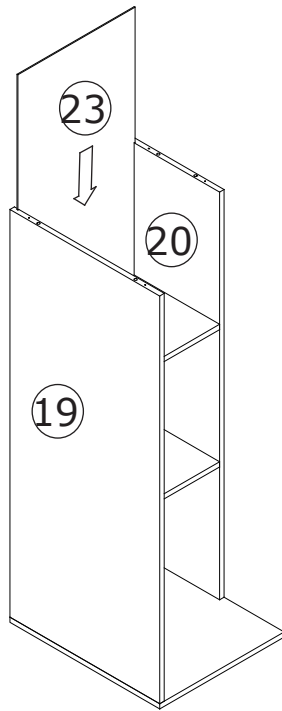
B x 4  Φ8 x 30 mm	D x 4  Φ4 x 35 mm	
---	---	--



Attach board 22 to board 19 and 20 using wooden dowel(B), and fix with screw(D) as shown.

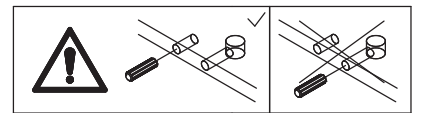
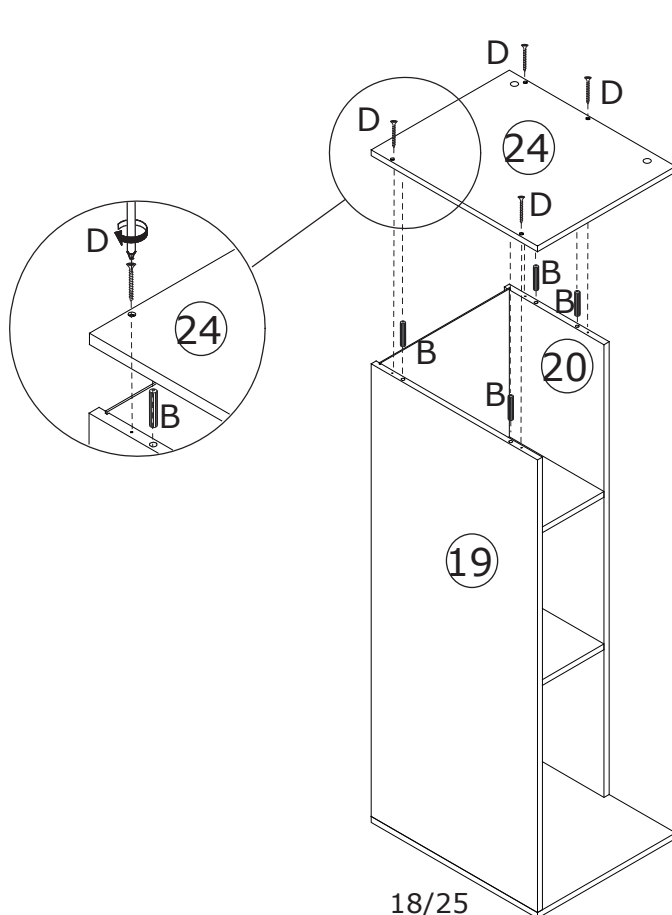


27



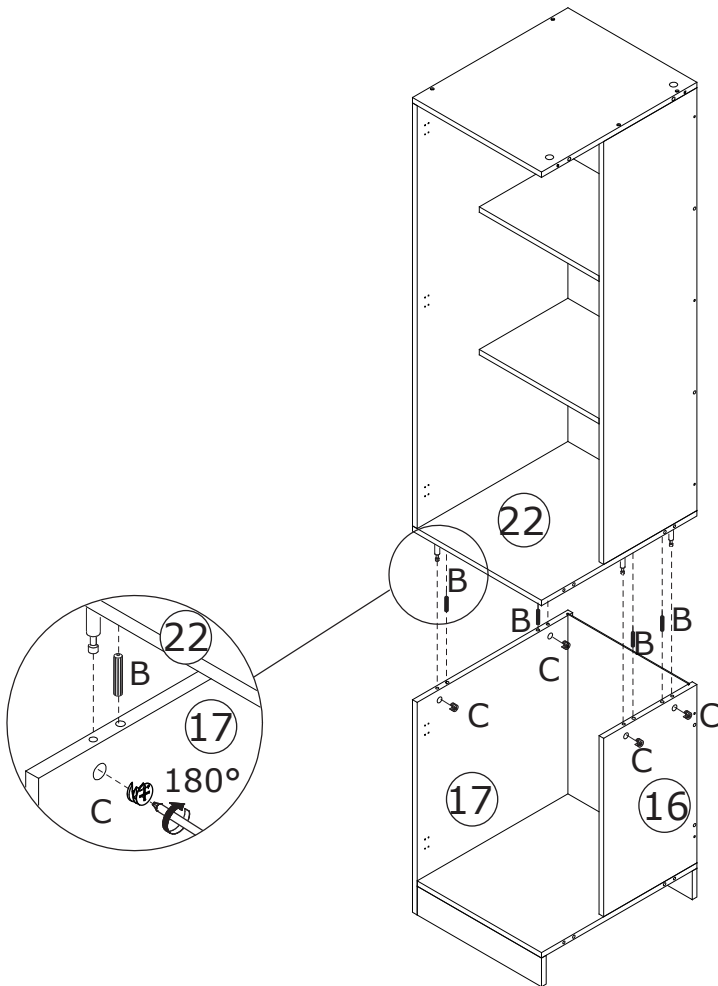
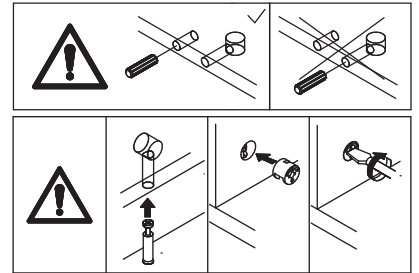
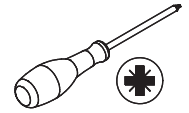
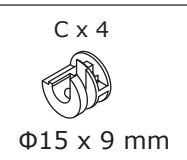
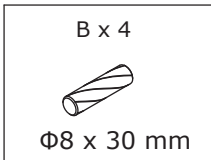
Insert board 23 along available grooves.

28



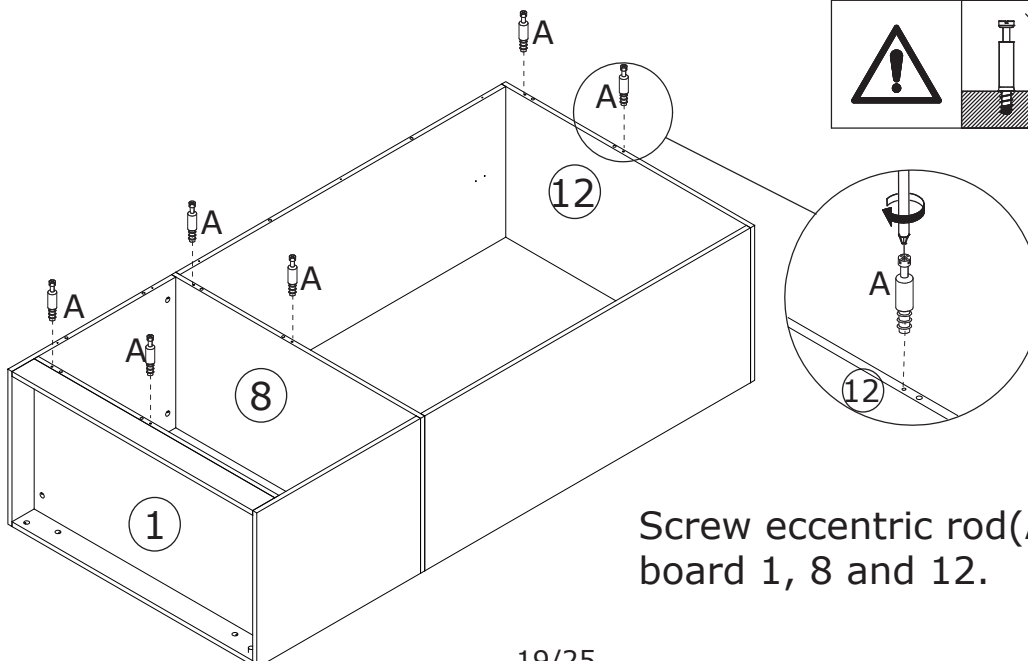
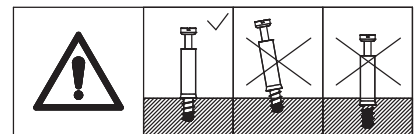
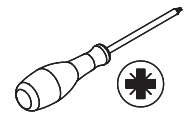
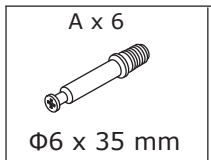
Attach board 24 to board 19 and 20 using wooden dowel(B), and fix with screw(D) as shown.

29



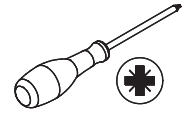
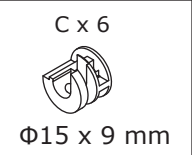
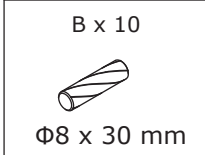
Connect the two components using wooden dowel(B), add cam lock(C) into board 16,17 and turn clockwise to tighten as shown.

30

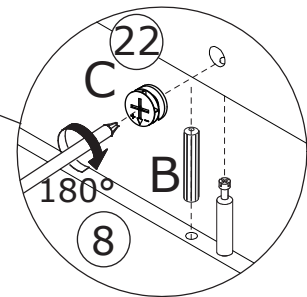
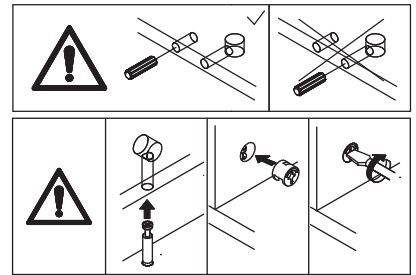
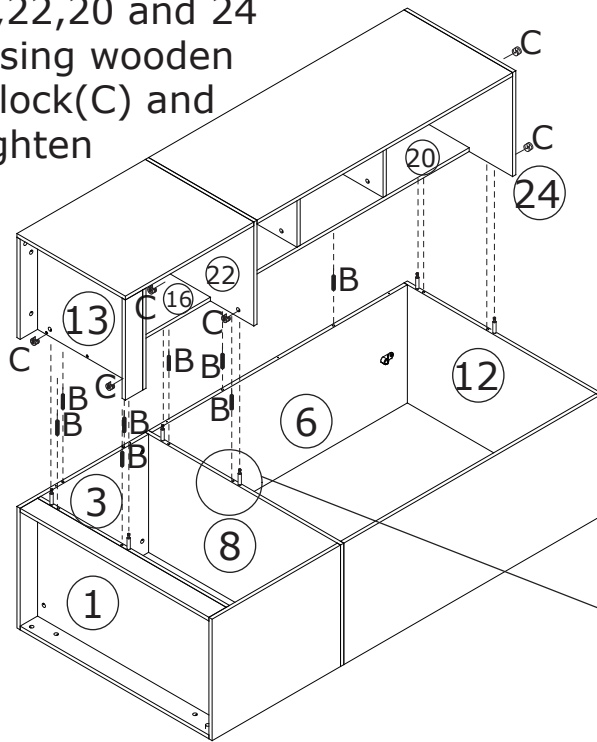


Screw eccentric rod(A) into board 1, 8 and 12.

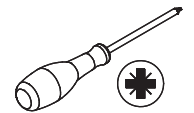
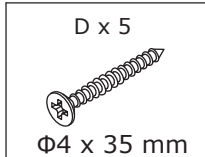
31



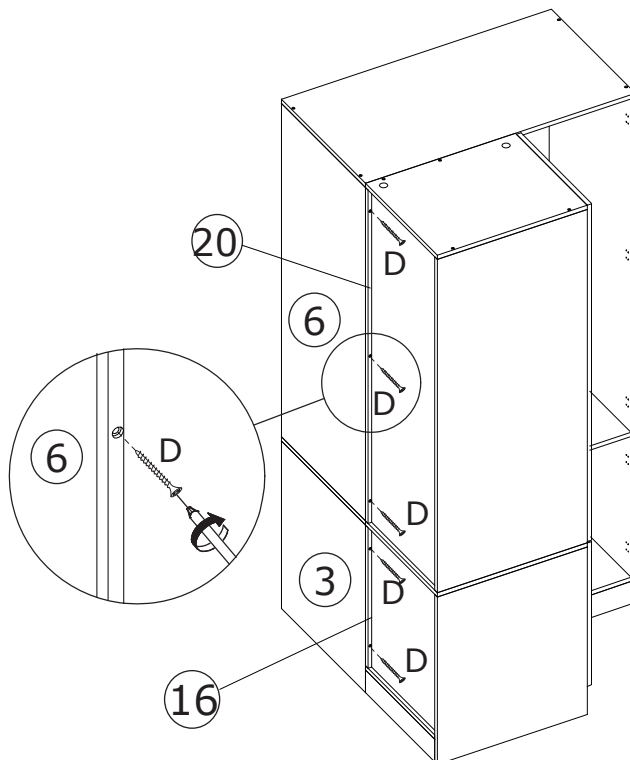
Attach board 13,16,22,20 and 24 to the component using wooden dowel(B), add cam lock(C) and turn clockwise to tighten as shown.



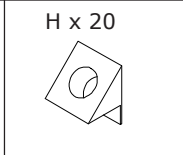
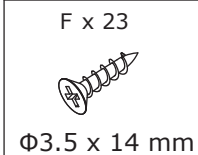
32



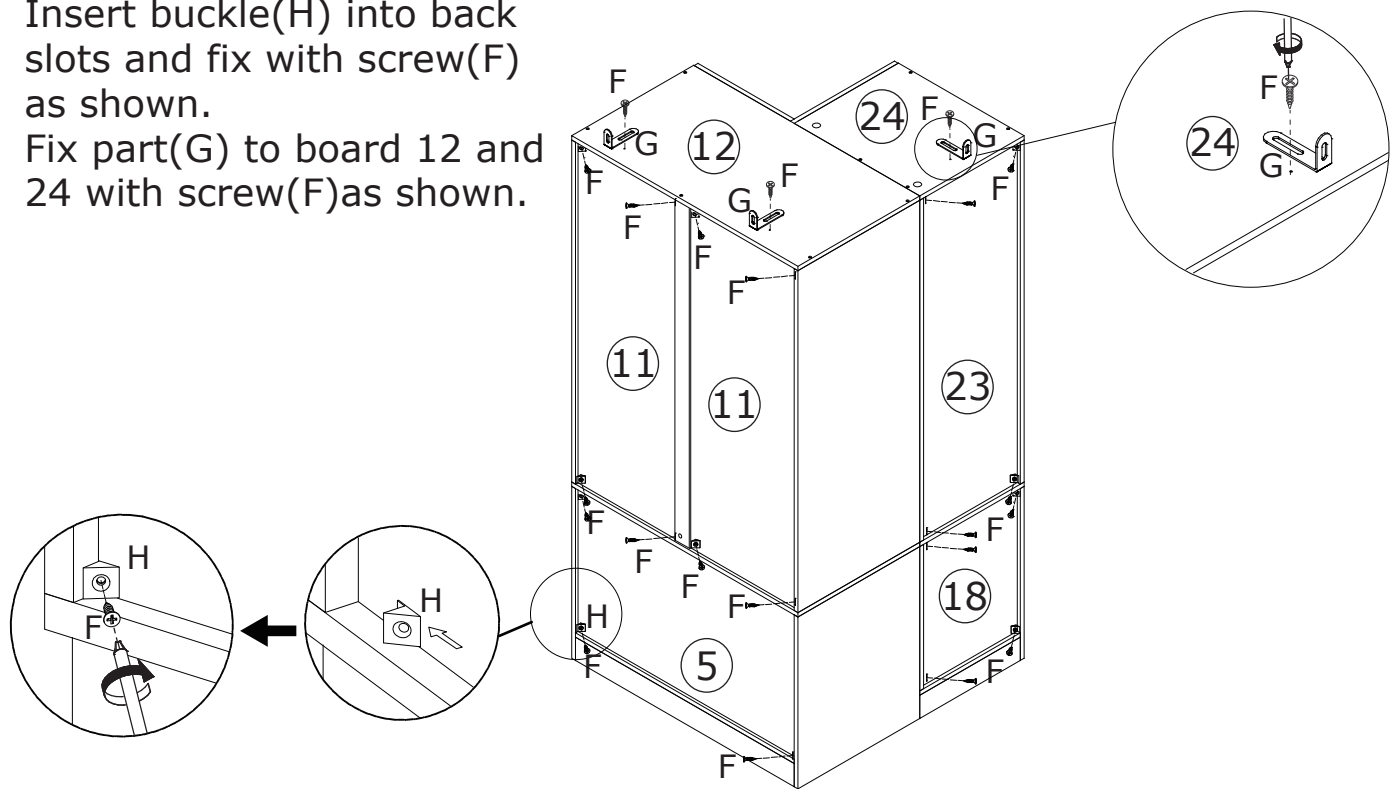
Fix board 16 to board 3; board 20 to board 6 with screw(D) as shown.



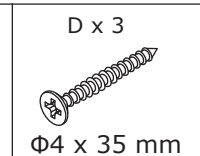
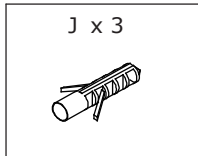
33



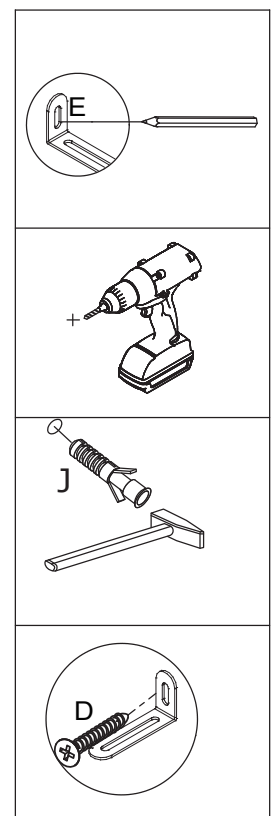
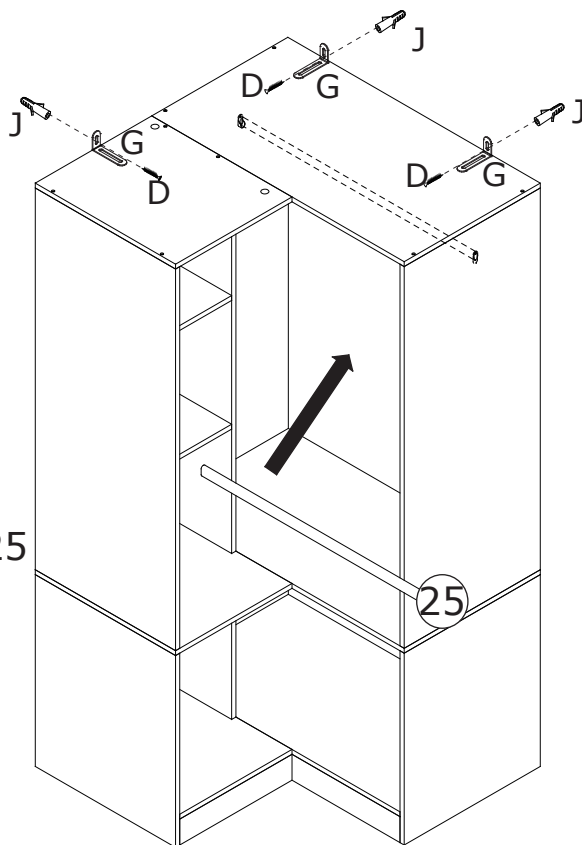
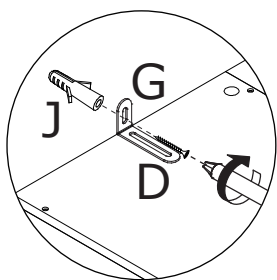
Insert buckle(H) into back slots and fix with screw(F) as shown.
Fix part(G) to board 12 and 24 with screw(F) as shown.



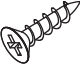
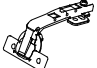
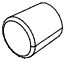

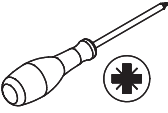
34



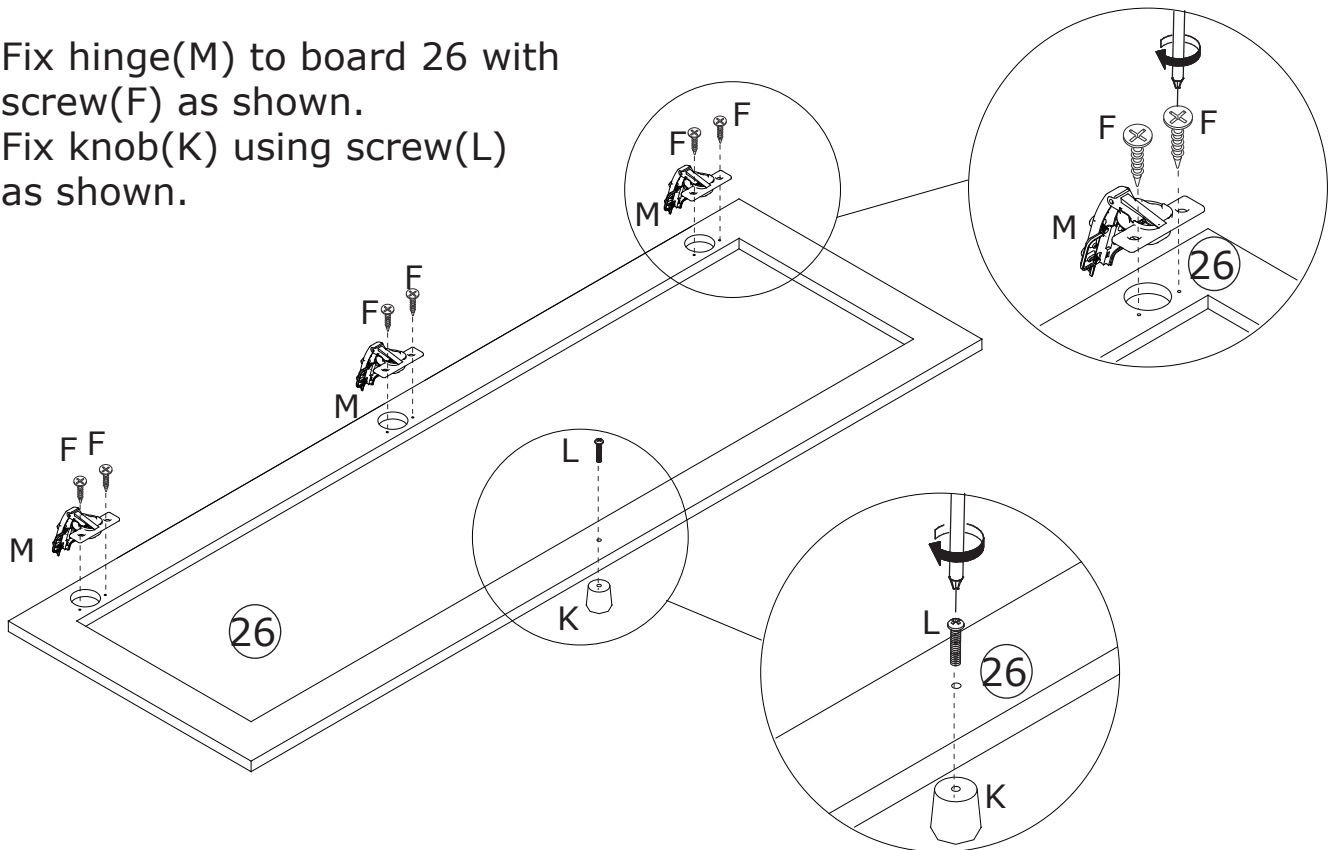
Install anti-tipping device as shown.
Place clothing rod 25 in as shown.



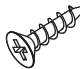

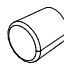

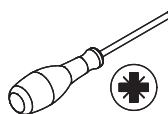
35

F x 6  Φ3.5 x 14 mm	M x 3 	K x 1 	L x 1 	
--	--	--	--	---

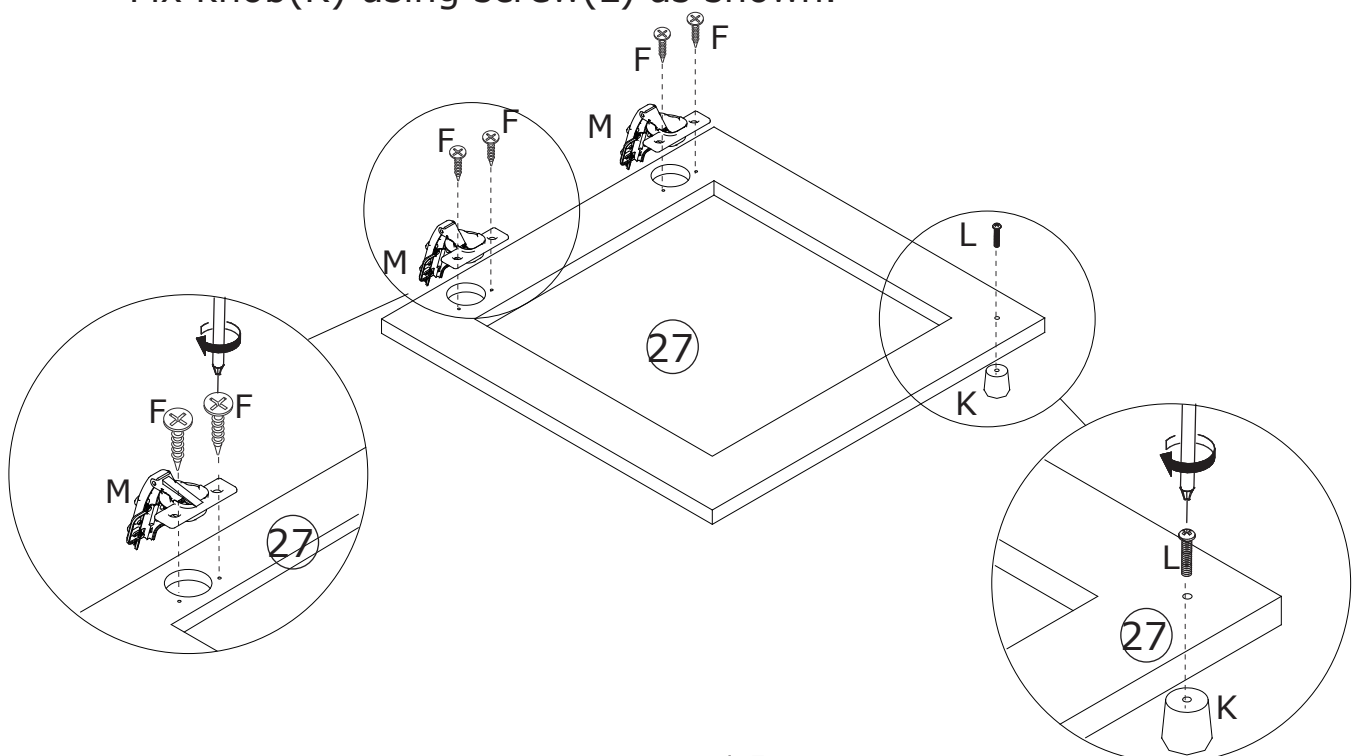
Fix hinge(M) to board 26 with screw(F) as shown.
Fix knob(K) using screw(L) as shown.



36

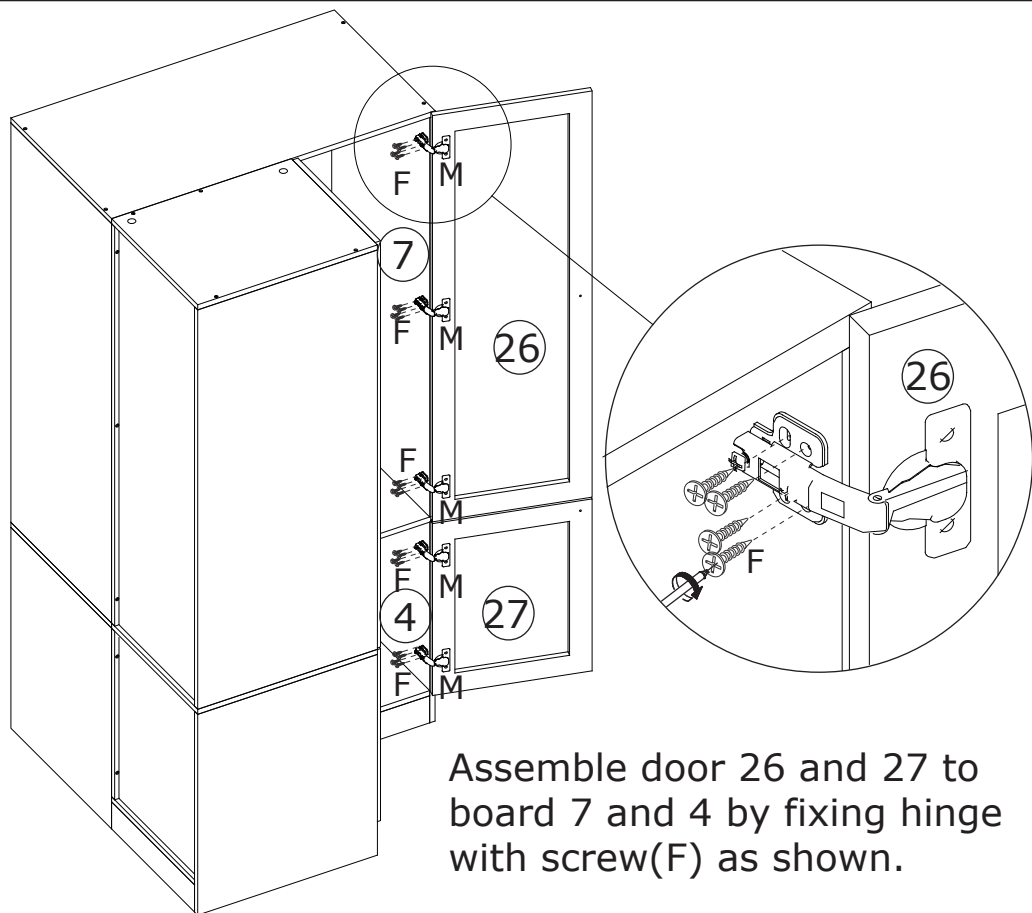
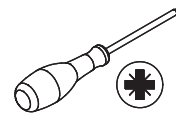
F x 4  Φ3.5 x 14 mm	M x 2 	K x 1 	L x 1 	
--	--	--	--	---

Fix hinge(M) to board 27 with screw(F) as shown.
Fix knob(K) using screw(L) as shown.



37

F x 20
Φ3.5 x 14 mm



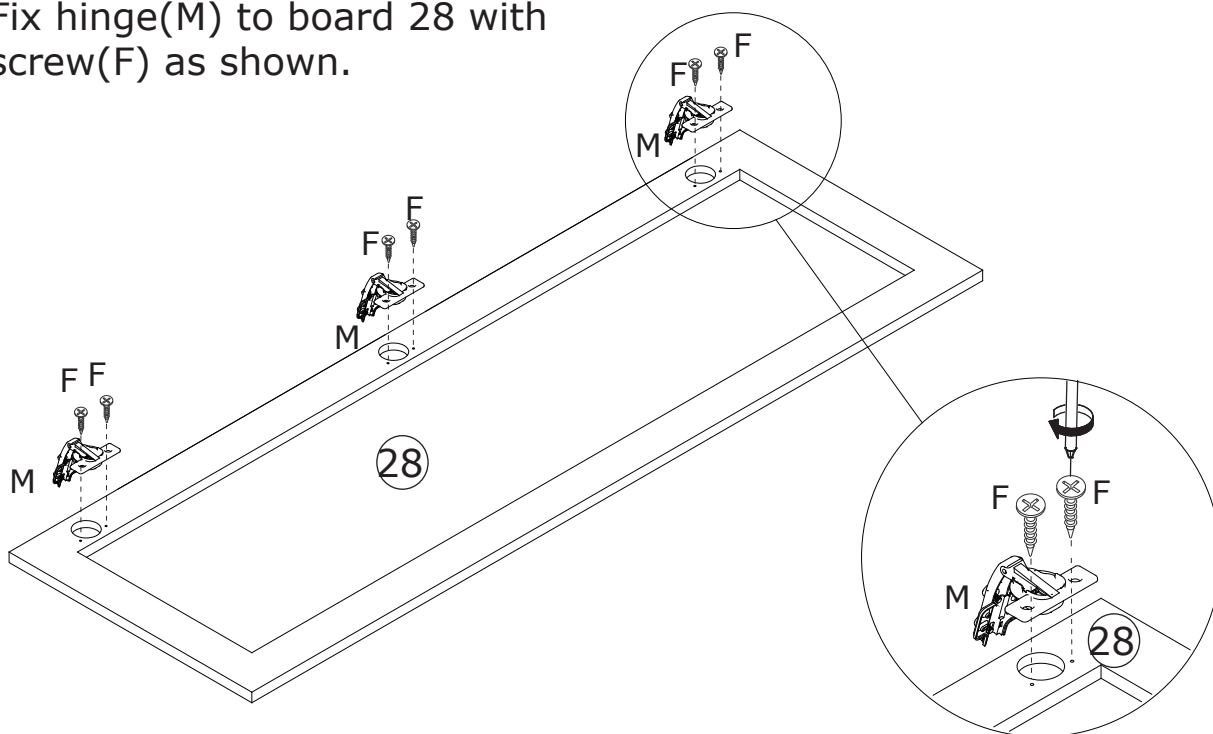
Assemble door 26 and 27 to board 7 and 4 by fixing hinge with screw(F) as shown.

38

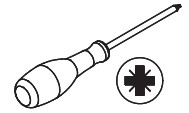
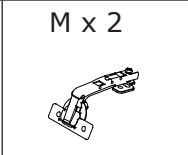
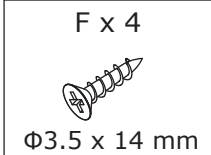
F x 6
Φ3.5 x 14 mm



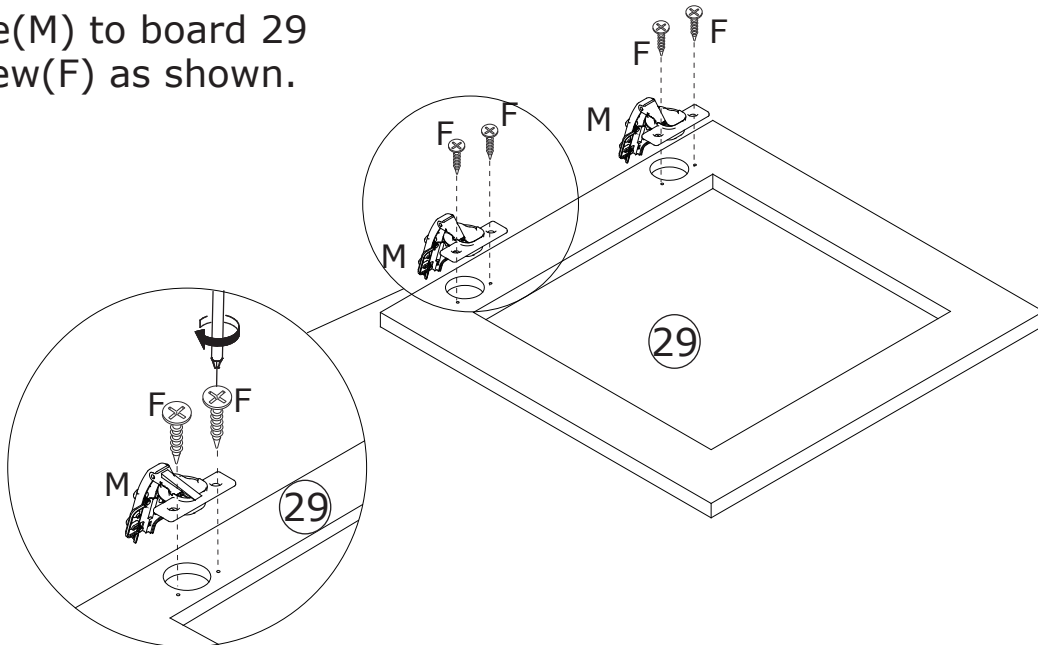
Fix hinge(M) to board 28 with screw(F) as shown.



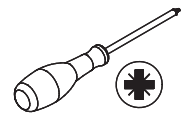
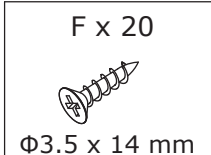
39



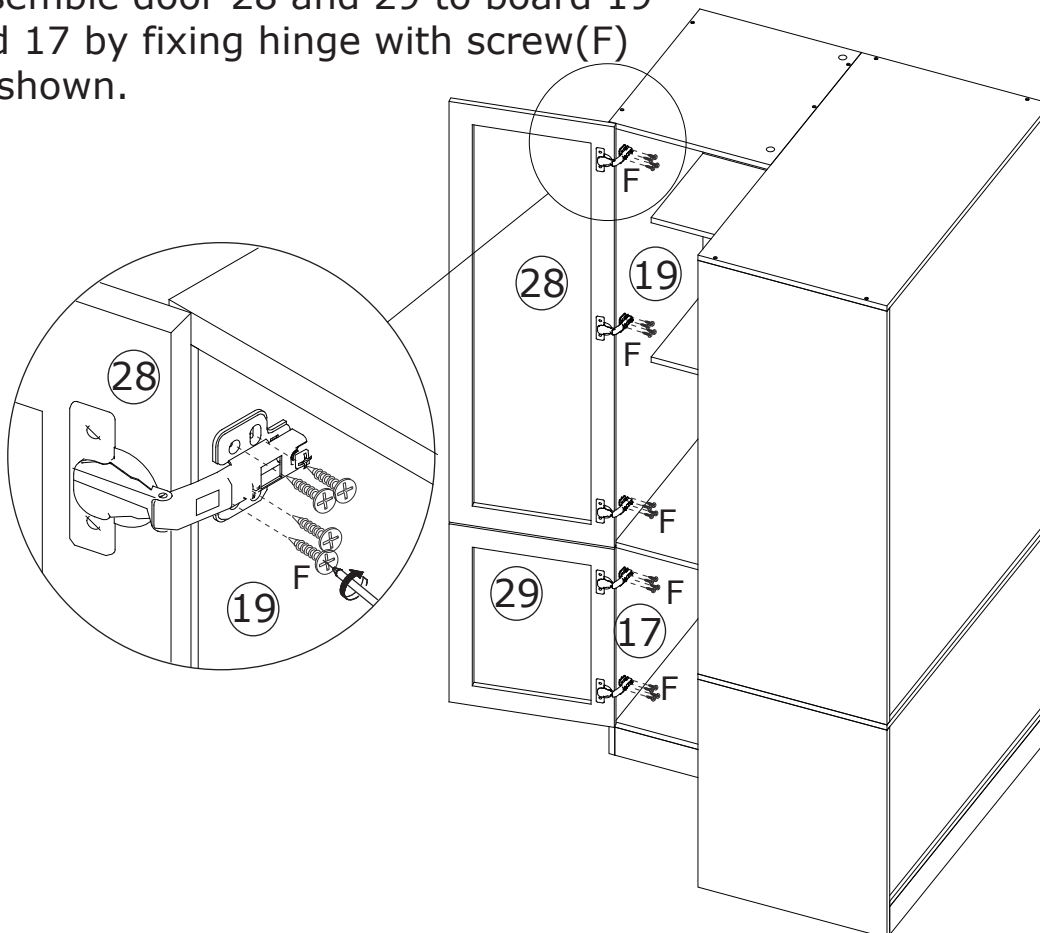
Fix hinge(M) to board 29 with screw(F) as shown.



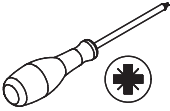
40



Assemble door 28 and 29 to board 19 and 17 by fixing hinge with screw(F) as shown.

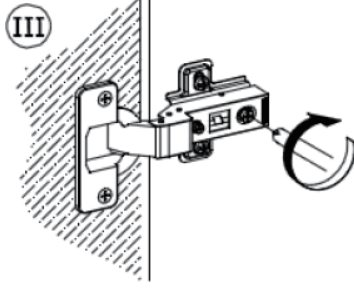
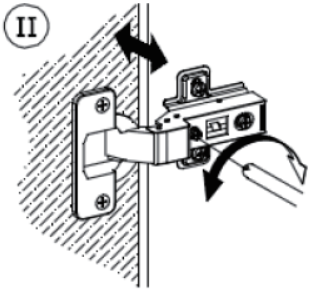
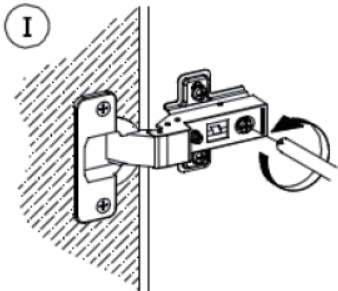
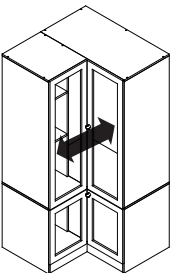
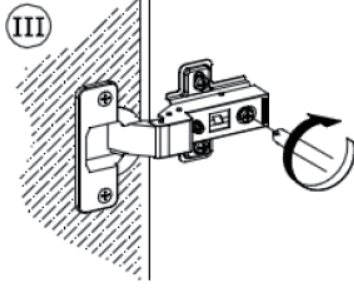
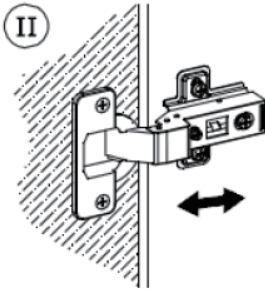
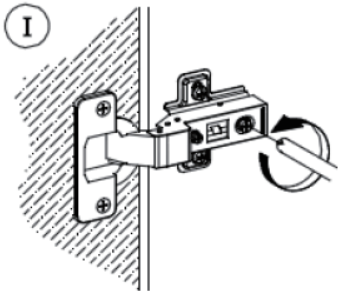
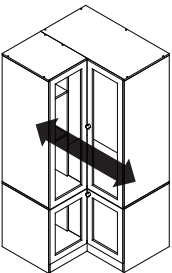
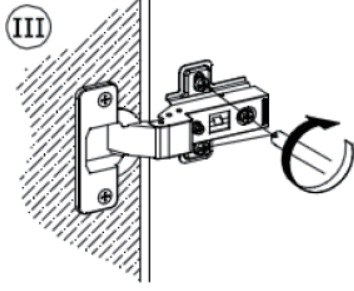
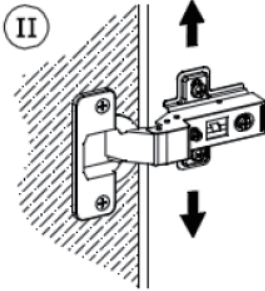
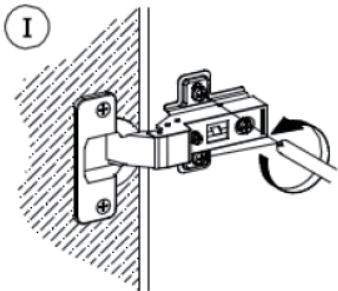
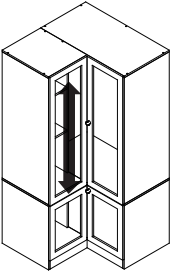
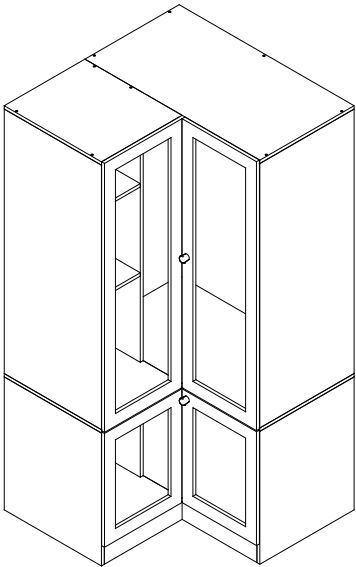


41



If doors are still not aligned if the hinges are properly correctly, please watch the video.

<https://youtu.be/n0Lb36SoODM>



WARRANTY

WARRANTY CLAIMS

- There is a 30-day warranty for broken furniture or any other problems that do not work properly. The warranty will start from the date of purchase which must be verified by proof of purchase.
- Before making a claim, we may be able to answer your query, simply call us. Please leave your purchase order number, along with some details of the problem, if you want a replacement part. We will arrange within 48 hours. If there is out of stock, we will reply with a shipping date.
- The product must be used in accordance with the instructions provided. For health reasons.
- For other reasons, if the furniture needs to be returned, it must be cleaned and dried and operated within 30 days of receipt.

Type of Warranty Claim

- Failure to follow the furniture instructions will invalidate the warranty. Attention please.
- Does not include damage during installation, but includes damage during transportation.

Scope of responsibility

- Shall not bear any responsibility for misuse or user damage and / or loss of parts during the installation of furniture.
- After using, the damage and scratches of the furniture are not covered by the warranty.

The Warranty Relates to All Bought in The Us and Covers The Following Areas

- Sheet parts: 1 month from the date of purchase.
- Electrical parts: 1 month from the date of purchase.

RETURNS

CHANGED YOUR MIND AND NEED TO RETURN YOU ITEM?

PLEASE FOLLOW THE BELOW INSTRUCTIONS:

- If you have purchased and have simply changed your mind, follow the retailer's instructions for returns.

DEFECTIVE ITEMS

- If your item is defective in any way, i.e. it doesn't work but you can't identify why, in the first instance, please call us.

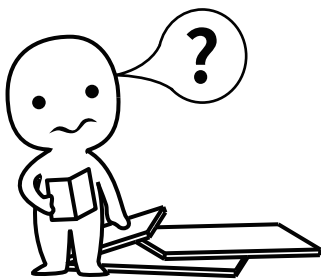
DAMAGED ITEMS

- If you receive an order with obvious shipping damage from the retailer, then we suggest the delivery is refused. If the delivery has been accepted and then shipping damage is found, please follow the specific instructions advised by the retailer. In all circumstances please save all packaging material and paperwork for the order. Please be aware that if you dispose of packaging material or attempt to return the merchandise without contacting the fulfiller, you jeopardise your chances of making a claim, and you may not receive a credit for the return.

INSTALLATION

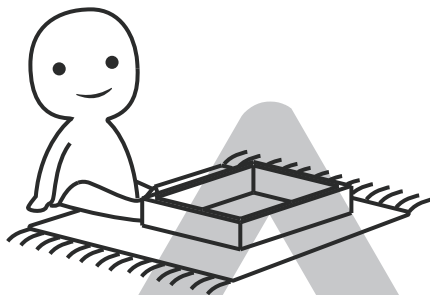
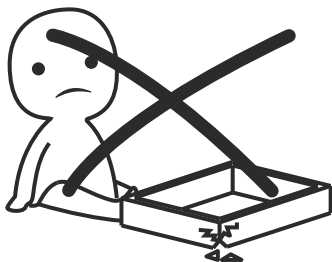
Product Manual

Version: 020388-00-24A-YQ



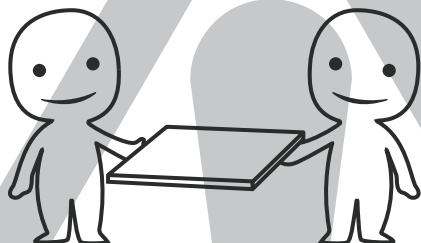
IMPORTANT INFORMATION!

please read the entire manual before starting to assemble and/or using this product. follow the manual thoroughly and keep it for further reference.



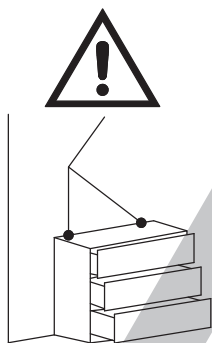
AVOID SCRATCHES!

In order to avoid scratching this furniture should be assembled on a soft layer- could be a rug.



IMPROVE EFFICIENCY !

Try to find a partner to install with you, which can speed up the installation efficiency and shorten the time.



ANTI-TOPPLE WARNING !

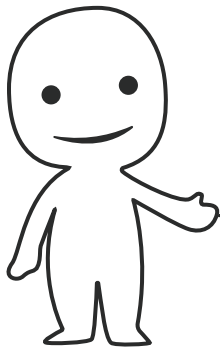
Overturnd furniture can cause serious or fatal crush injuries. To prevent tipping over, be sure to use the wall attachment, if not included with this product. Please purchase the wall attachment that fit your wall. If unsure, seek professional advice. Please read and follow each step of the instructions carefully.

IMPORTANT !

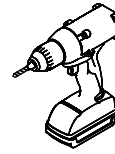
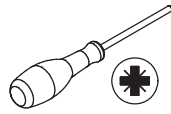
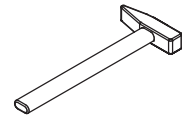
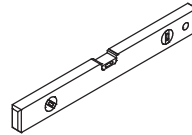
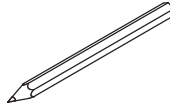
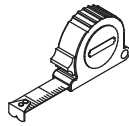
It is important that any product which is assembled using any kind of screw is re-tightened 2 weeks after assembly, and once every 3 months - in order to assure stability through-out the lifespan of the product.

For regular maintenance and cleaning of the product, for the frame, please use a rag dipped in neutral detergent to fully wipe it, and then dry it with a clean rag. For glass materials, wipe with a rag dampened with water glass cleaner, and then dry with a dry rag.

Do not use an electric screwdriver, and do not use too much force when installing, because the board is easy to break.

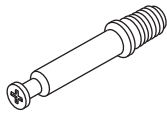


Please prepare the following tools



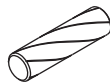
When installing, please carefully confirm whether each screw corresponds to the manual, accessories with similar shapes can be distinguished by size

A x 6



Ø 6 x 35 mm

B x 12



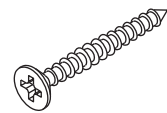
Ø 8 x 30 mm

C x 6



Ø 15 x 9 mm

D x 8



Ø 4 x 35 mm

E x 2

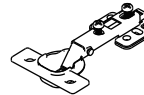


F x 24

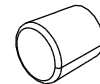


Ø 3.5 x 14 mm

G x 4

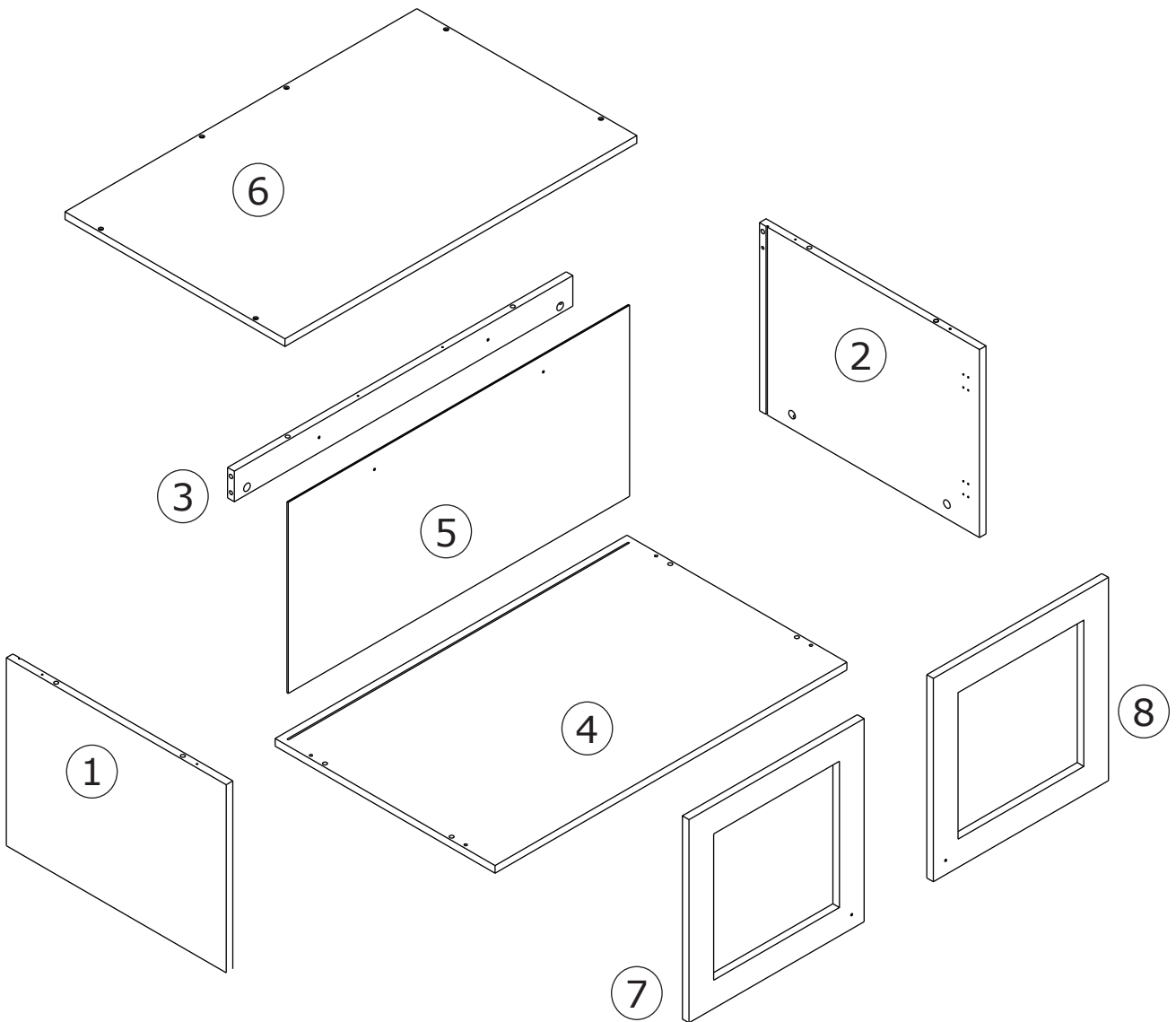


H x 2



J x 2





⚠ WARNING

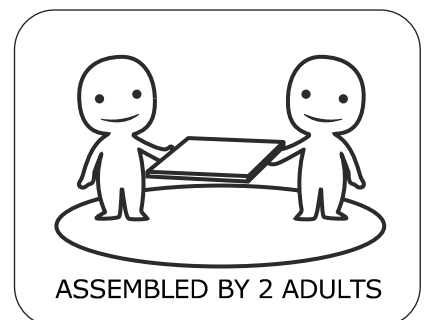


Children have died from furniture tipover. To reduce the risk of furniture tipover:

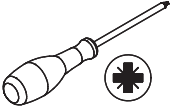
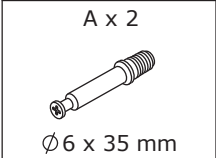
- ALWAYS install Anti-tip device provided.
- NEVER put a TV on this product.
- NEVER allow children to stand, climb or hang on drawers, doors, or shelves.
- NEVER open more than one drawer at a time.
- Place heaviest items in the lowest drawers.



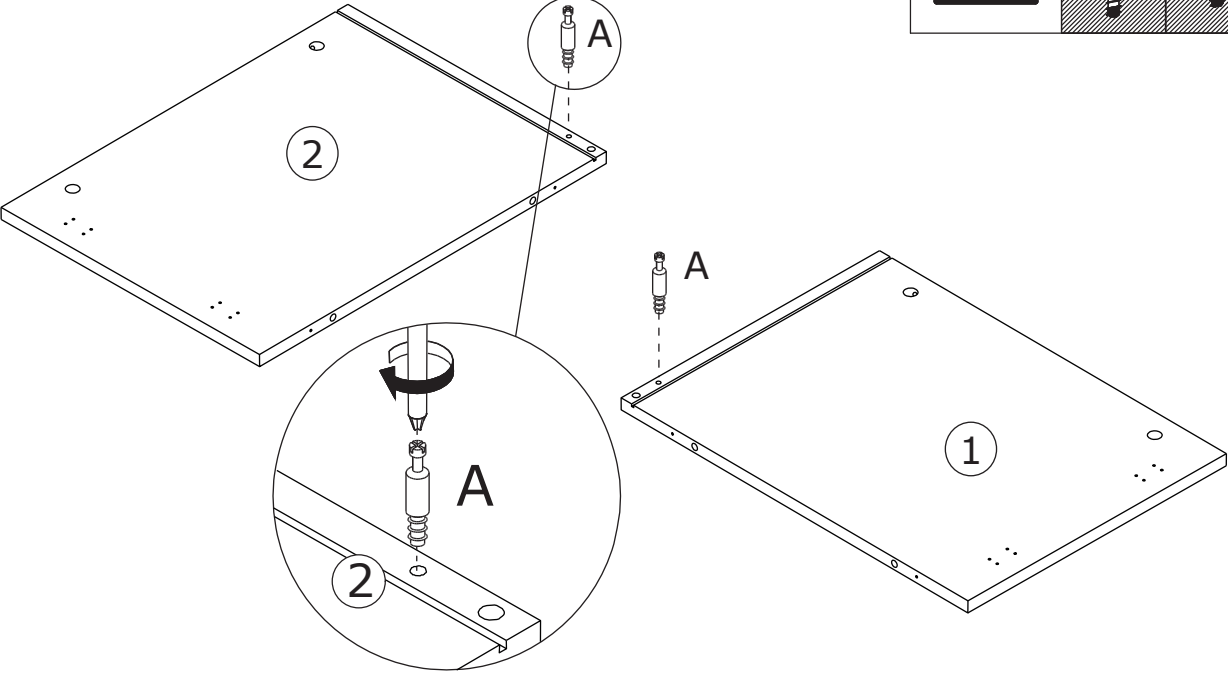
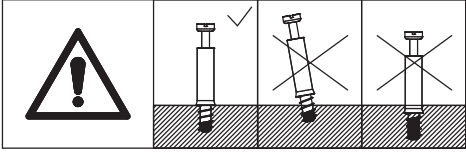
*This is a permanent label.
Do not remove!*



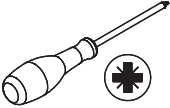
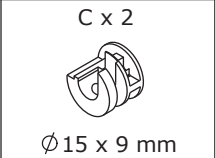
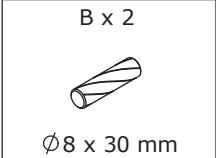
1



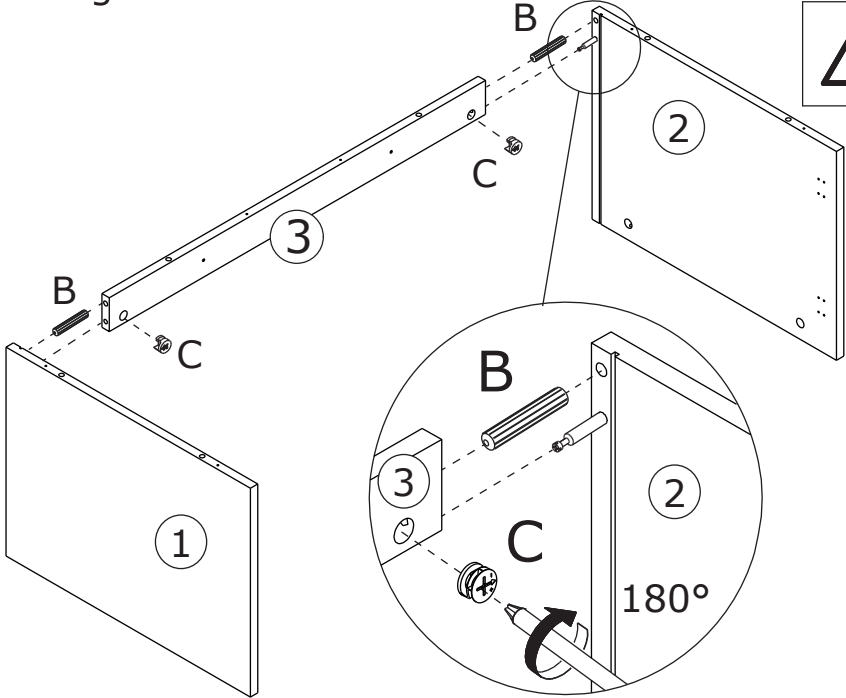
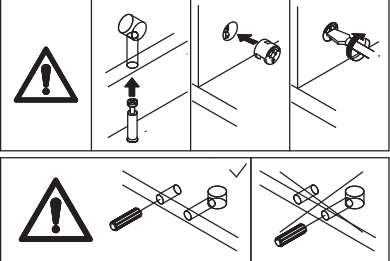
Screw eccentric rod(A) into board 1 and 2 with a screwdriver as shown.



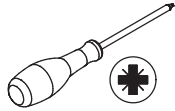
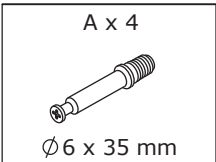
2



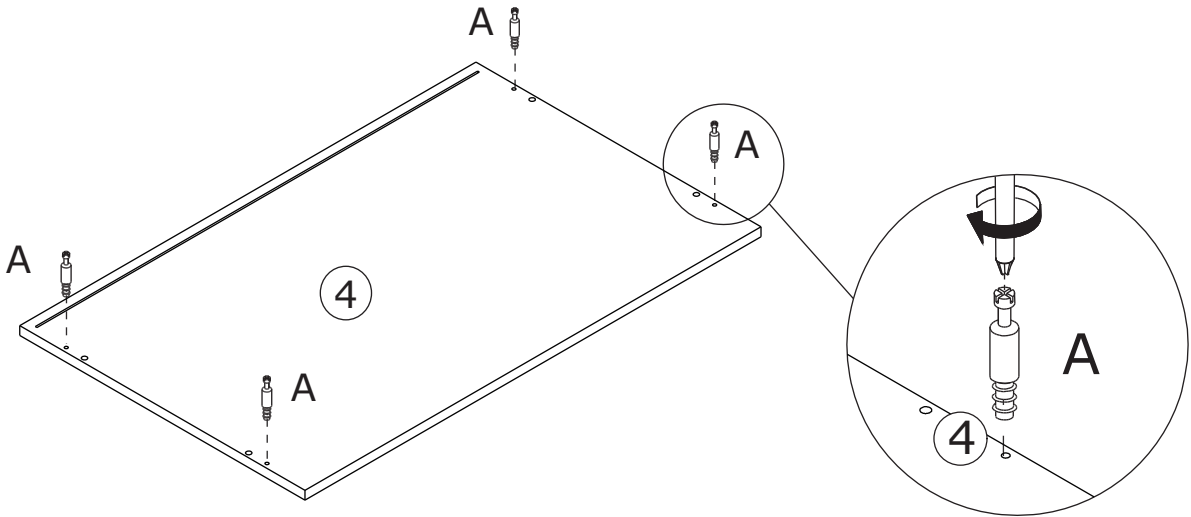
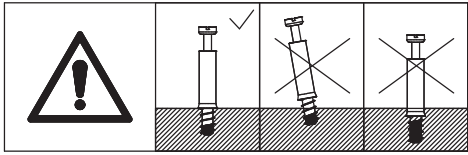
Connect board 3 to board 1 and 2 using wooden dowel(B), add cam lock(C) into board 3 and turn clockwise to tighten as shown.



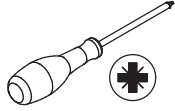
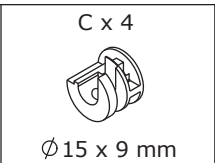
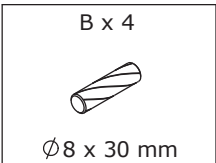
3



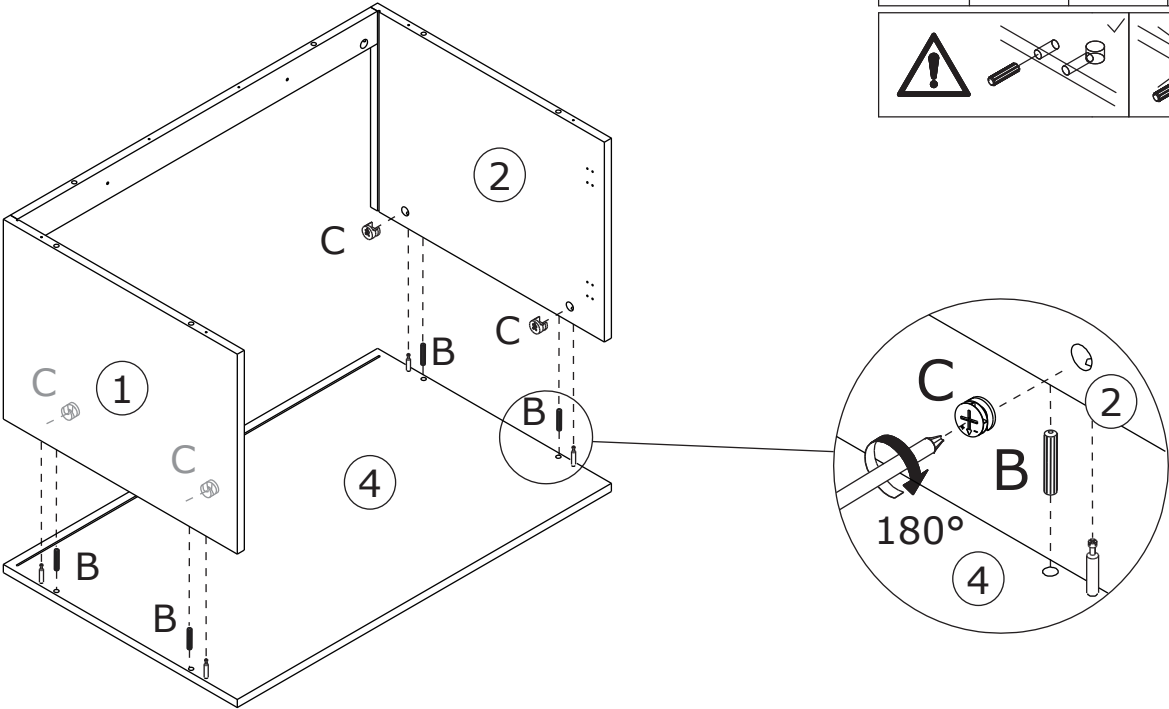
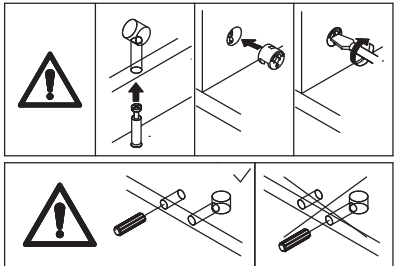
Screw eccentric rod(A) into board 4 with a screwdriver as shown.



4

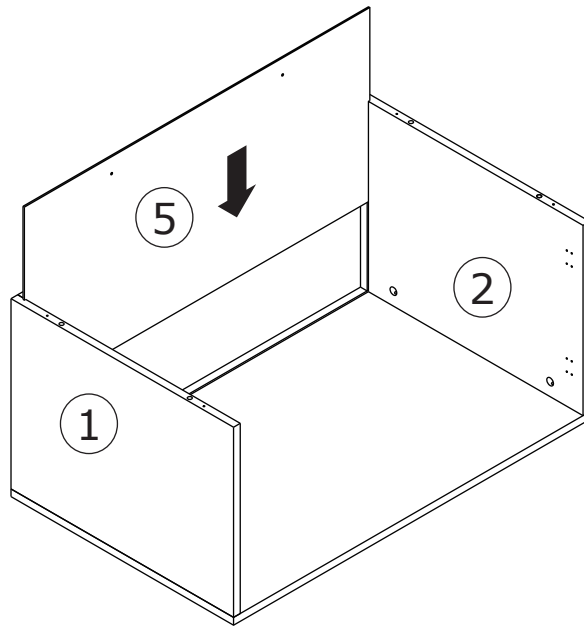


Attach board 4 to board 1 and 2 using wooden dowel(B), add cam lock(C) into board 1,2 and turn clockwise to tighten as shown.



5

Insert board 5 along available grooves.



6

B x 6

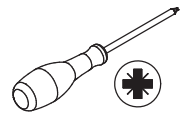


Ø8 x 30 mm

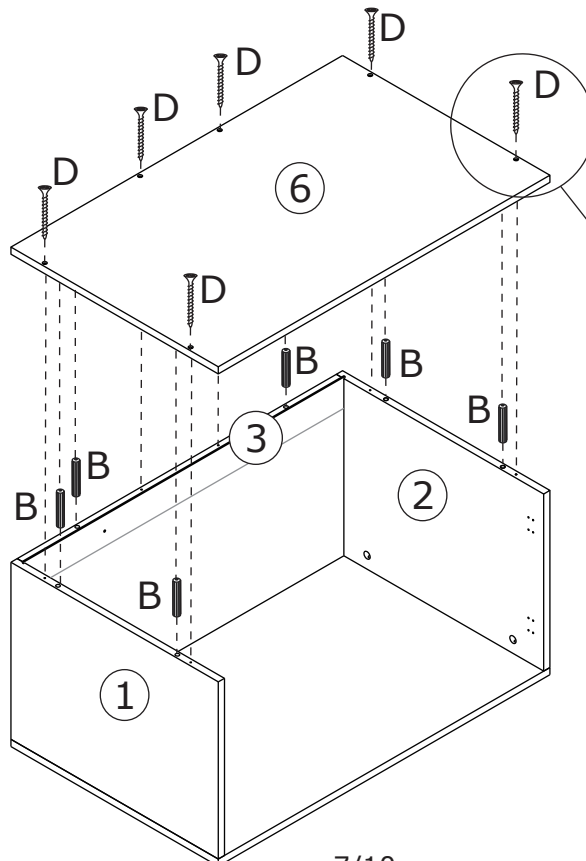
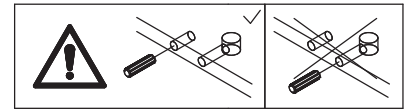
D x 6



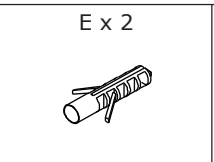
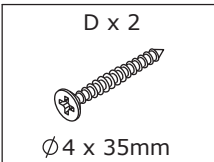
Ø4 x 35 mm



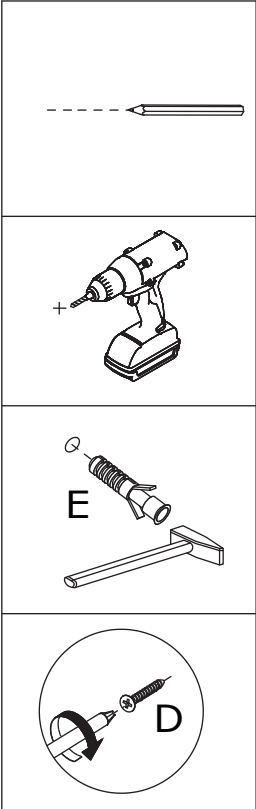
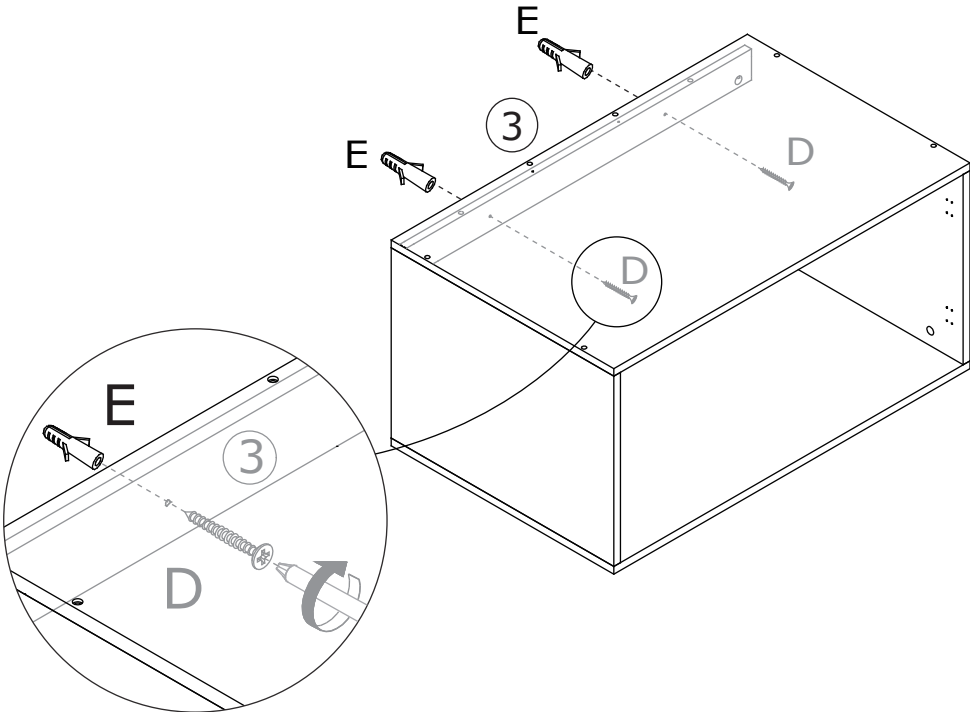
Attach board 6 to the component using wooden dowel(B), and fix with screw(D) as shown.



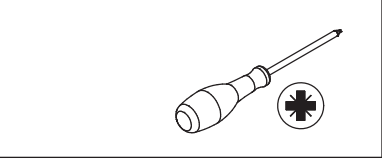
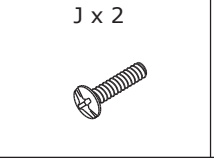
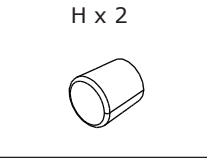
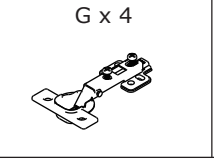
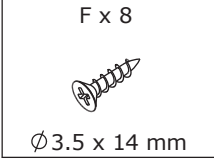
7



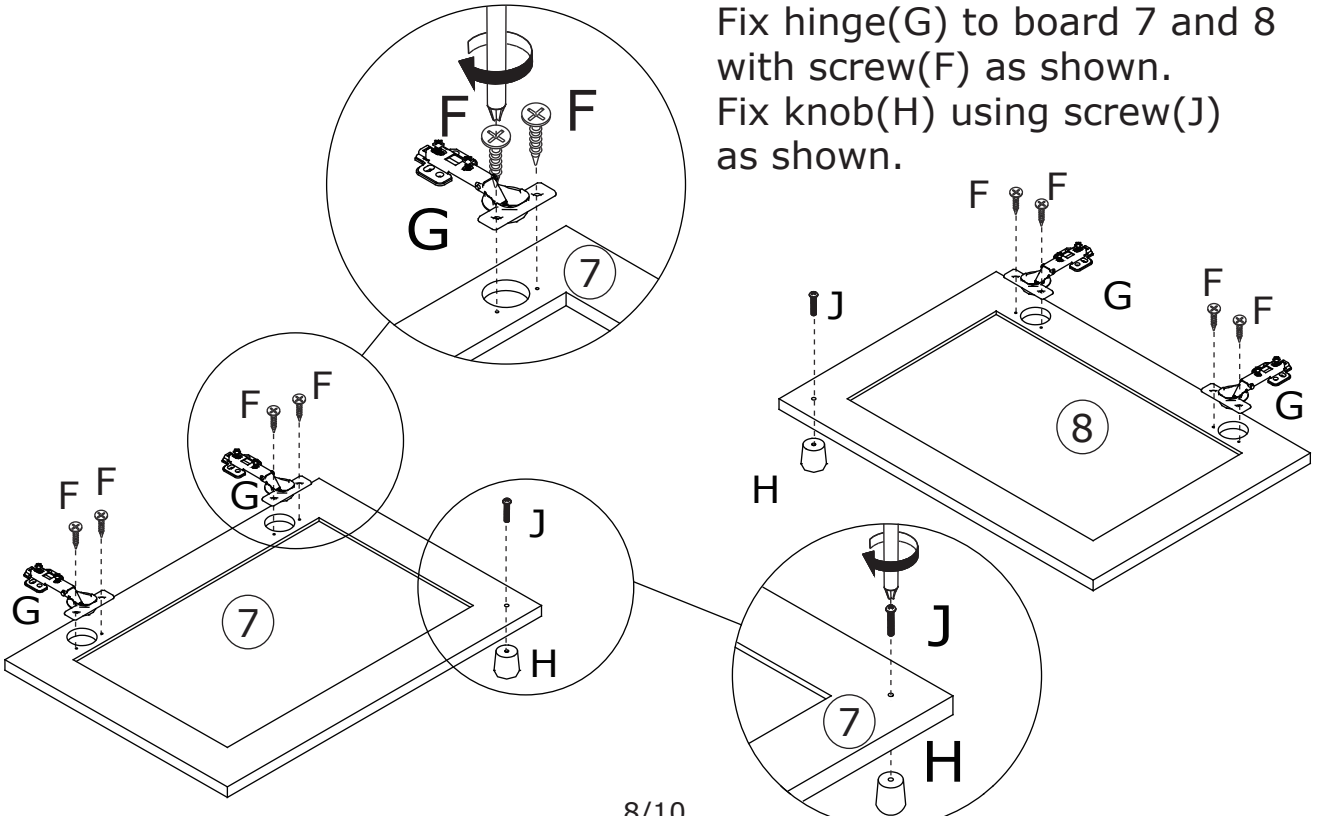
Install anti-tipping device as shown.



8

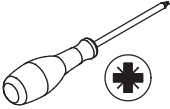


Fix hinge(G) to board 7 and 8 with screw(F) as shown.
Fix knob(H) using screw(J) as shown.

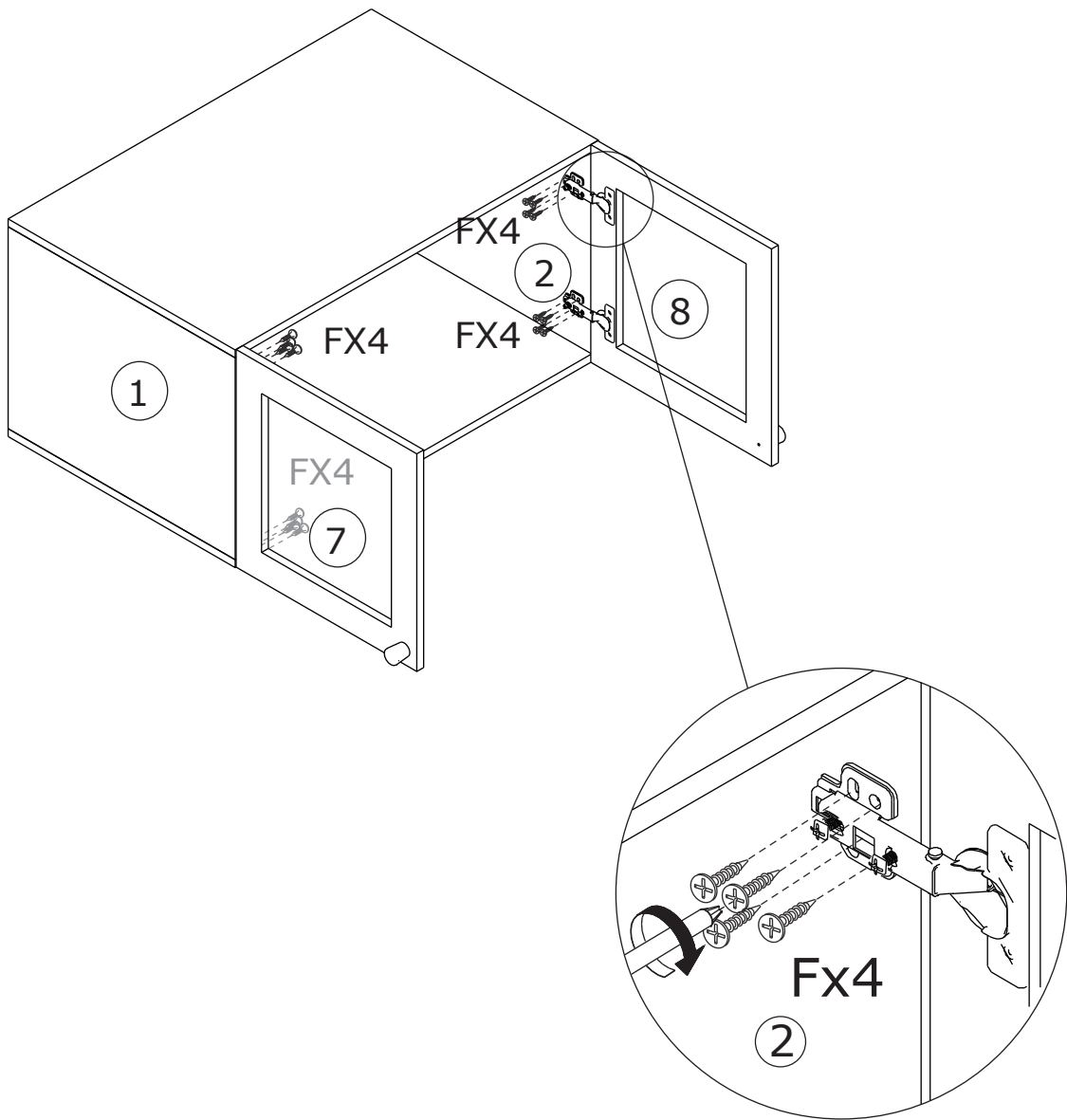


9

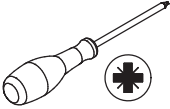
F x 16
Ø3.5 x 14 mm



Assemble door 7 and 8 to the cabinet by fixing hinge with screw(F) as shown.

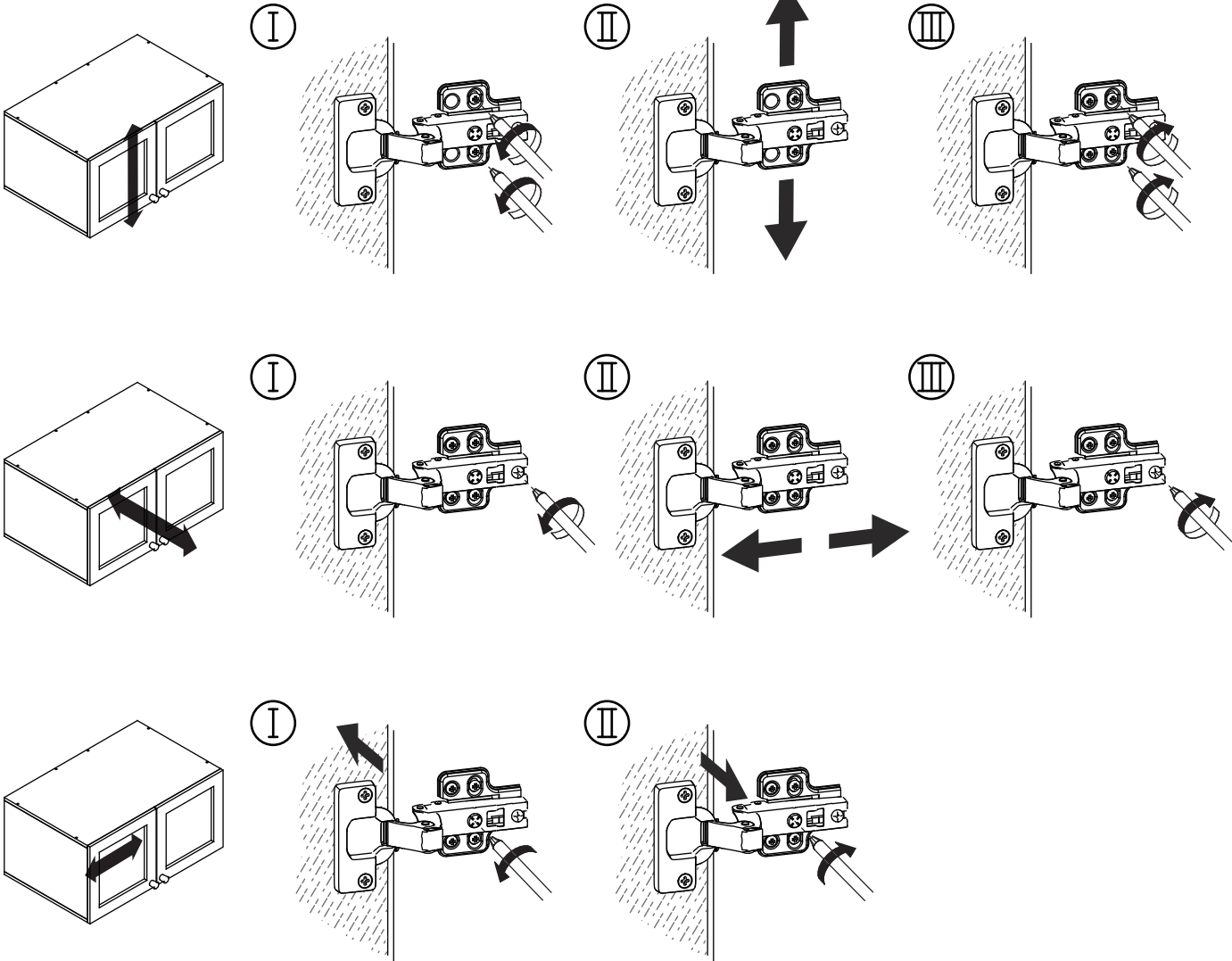
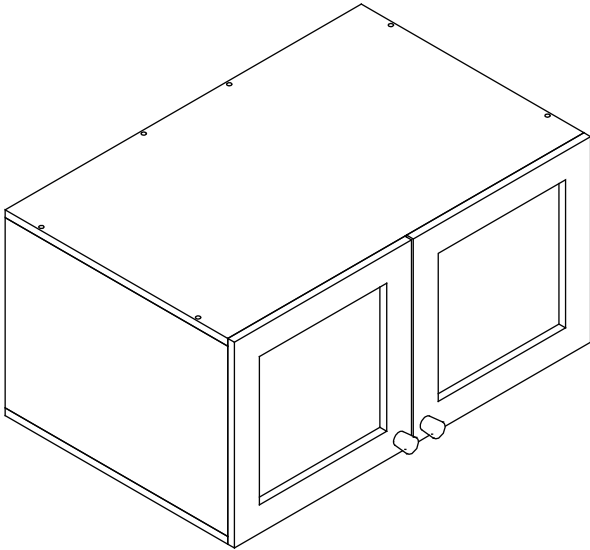


10



If doors are still not aligned if the hinges are properly correctly, please watch the video.

<https://youtu.be/n0Lb36SoODM>



WARRANTY

WARRANTY CLAIMS

- There is a 30-day warranty for broken furniture or any other problems that do not work properly. The warranty will start from the date of purchase which must be verified by proof of purchase.
- Before making a claim, we may be able to answer your query, simply call us. Please leave your purchase order number, along with some details of the problem, if you want a replacement part. We will arrange within 48 hours. If there is out of stock, we will reply with a shipping date.
- The product must be used in accordance with the instructions provided. For health reasons.
- For other reasons, if the furniture needs to be returned, it must be cleaned and dried and operated within 30 days of receipt.

Type of Warranty Claim

- Failure to follow the furniture instructions will invalidate the warranty. Attention please.
- Does not include damage during installation, but includes damage during transportation.

Scope of responsibility

- Shall not bear any responsibility for misuse or user damage and / or loss of parts during the installation of furniture.
- After using, the damage and scratches of the furniture are not covered by the warranty.

The Warranty Relates to All Bought in The Us and Covers The Following Areas

- Sheet parts: 1 month from the date of purchase.
- Electrical parts: 1 month from the date of purchase.

RETURNS

CHANGED YOUR MIND AND NEED TO RETURN YOU ITEM?

PLEASE FOLLOW THE BELOW INSTRUCTIONS:

- If you have purchased and have simply changed your mind, follow the retailer's instructions for returns.

DEFECTIVE ITEMS

- If your item is defective in any way, i.e. it doesn't work but you can't identify why, in the first instance, please call us.

DAMAGED ITEMS

- If you receive an order with obvious shipping damage from the retailer, then we suggest the delivery is refused. If the delivery has been accepted and then shipping damage is found, please follow the specific instructions advised by the retailer.
In all circumstances please save all packaging material and paperwork for the order. Please be aware that if you dispose of packaging material or attempt to return the merchandise without contacting the fulfiller, you jeopardise your chances of making a claim, and you may not receive a credit for the return.

AFTER-SALES CONTACT

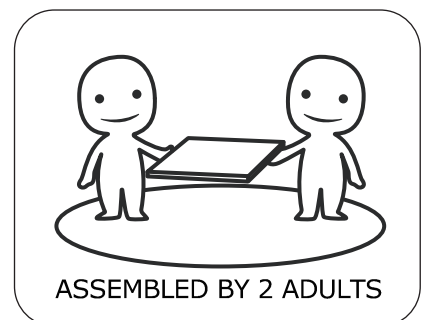
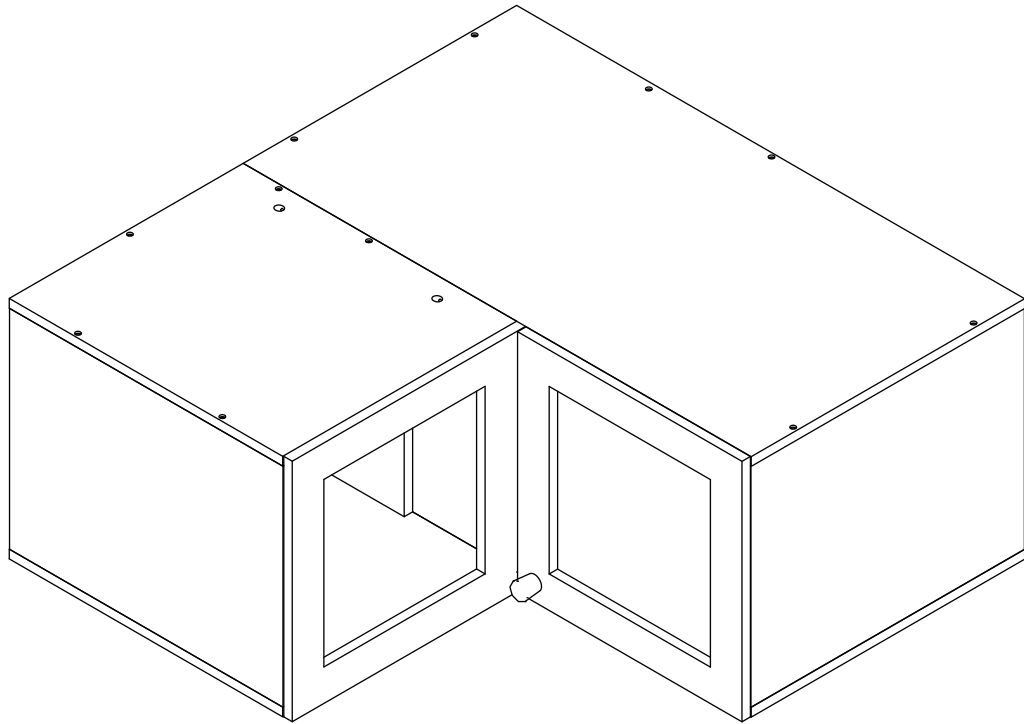


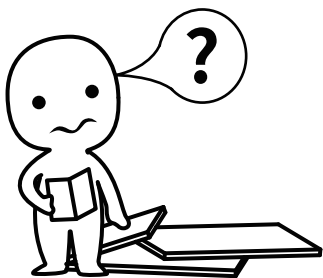
feedbackstation@163.com



(303)800-6387

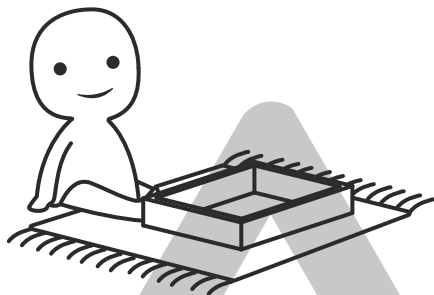
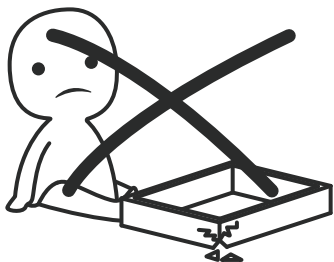
Cabinet





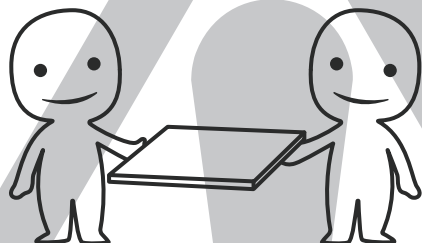
IMPORTANT INFORMATION!

please read the entire manual before starting to assemble and/or using this product. follow the manual thoroughly and keep it for further reference.



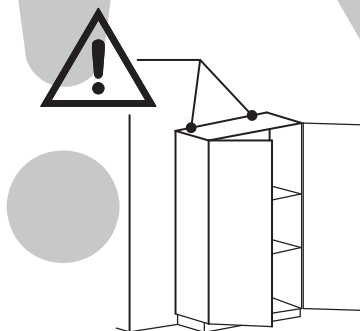
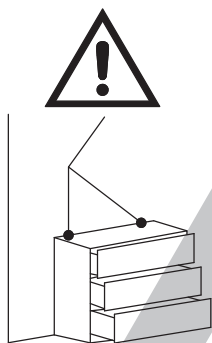
AVOID SCRATCHES!

In order to avoid scratching this furniture should be assembled on a soft layer- could be a rug.



IMPROVE EFFICIENCY !

Try to find a partner to install with you, which can speed up the installation efficiency and shorten the time.



ANTI-TOPPLE WARNING !

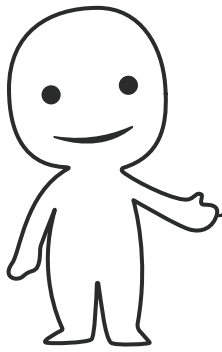
Overturnd furniture can cause serious or fatal crush injuries. To prevent tipping over, be sure to use the wall attachment, if not included with this product. Please purchase the wall attachment that fit your wall. If unsure, seek professional advice. Please read and follow each step of the instructions carefully.

IMPORTANT !

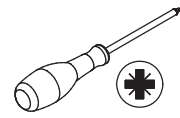
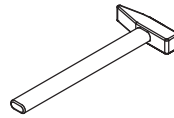
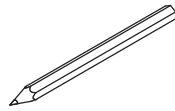
It is important that any product which is assembled using any kind of screw is re-tightened 2 weeks after assembly, and once every 3 months - in order to assure stability through-out the lifespan of the product.

For regular maintenance and cleaning of the product, for the frame, please use a rag dipped in neutral detergent to fully wipe it, and then dry it with a clean rag. For glass materials, wipe with a rag dampened with water glass cleaner, and then dry with a dry rag.

Do not use an electric screwdriver, and do not use too much force when installing, because the board is easy to break.

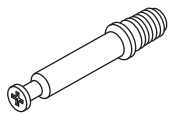


Please prepare the following tools



When installing, please carefully confirm whether each screw corresponds to the manual, accessories with similar shapes can be distinguished by size

A x 16



Ø 6 x 35 mm

B x 29



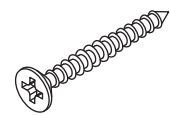
Ø 8 x 30 mm

C x 16



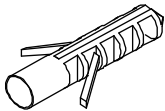
Ø 15 x 9 mm

D x 16



Ø 4 x 35 mm

E x 3

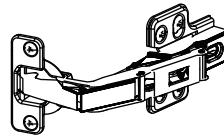


F x 24

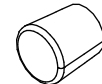


Ø 3.5 x 14 mm

G x 4

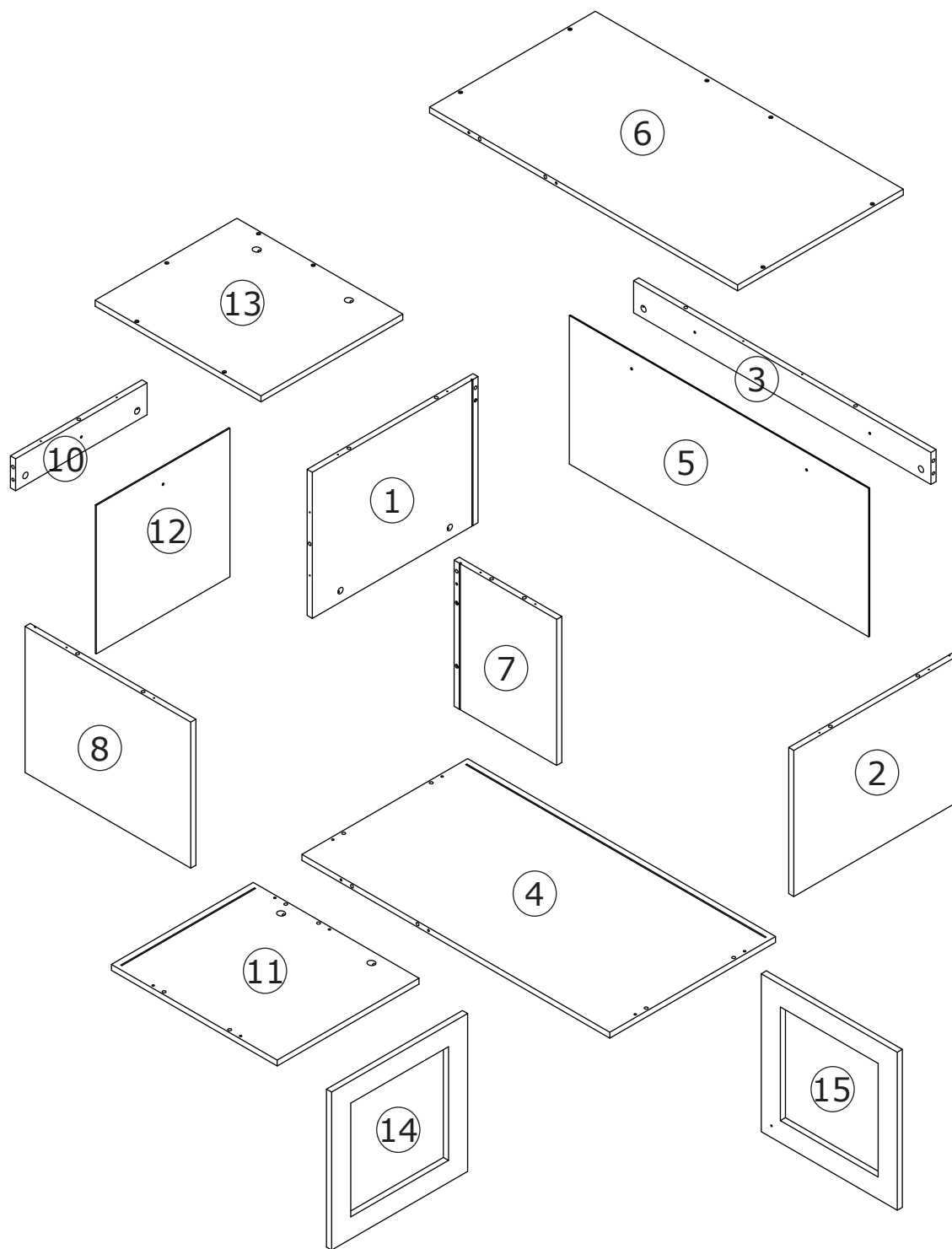


H x 1



J x 1





⚠ WARNING



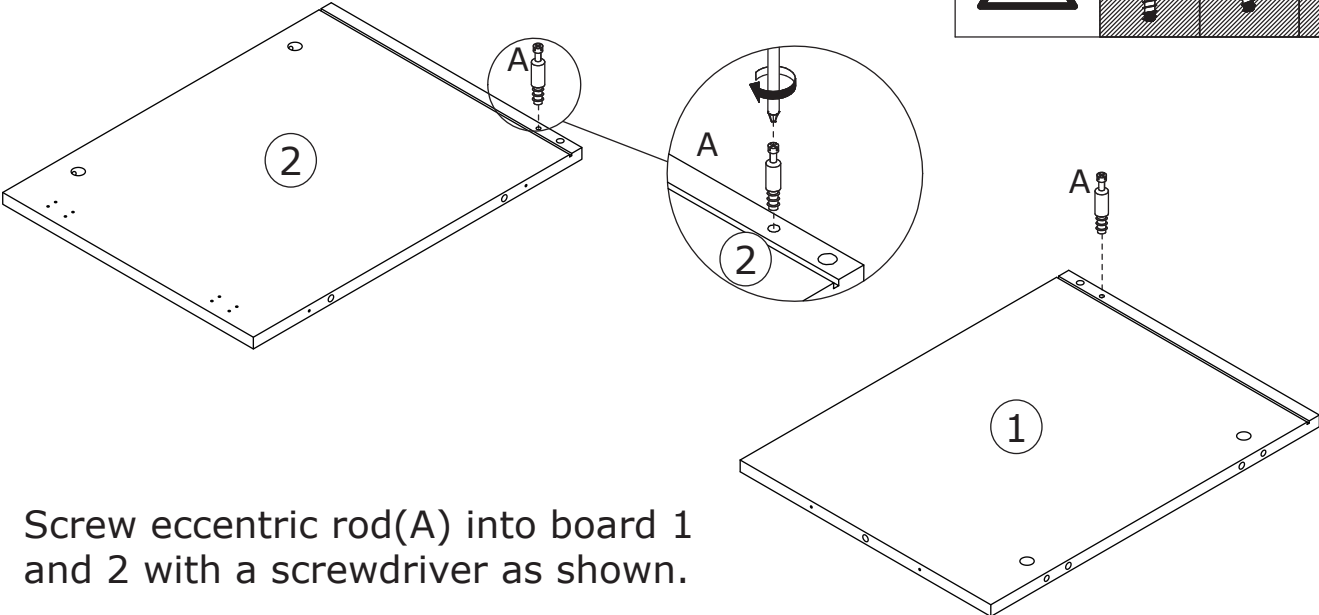
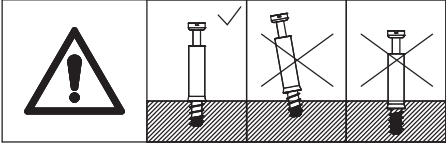
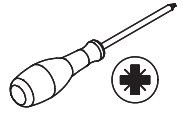
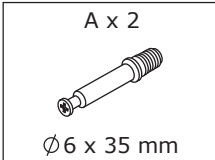
Children have died from furniture tipover. To reduce the risk of furniture tipover:

- ALWAYS install Anti-tip device provided.
- NEVER put a TV on this product.
- NEVER allow children to stand, climb or hang on drawers, doors, or shelves.
- NEVER open more than one drawer at a time.
- Place heaviest items in the lowest drawers.



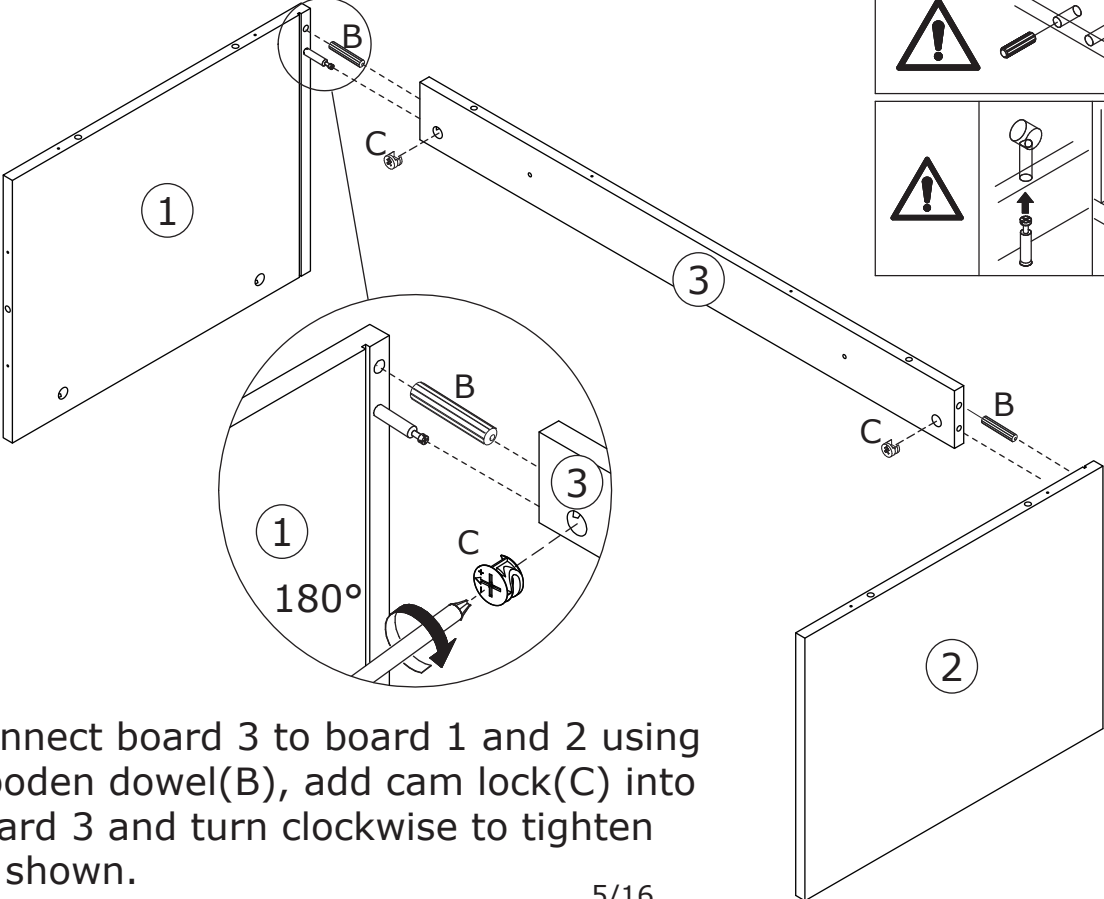
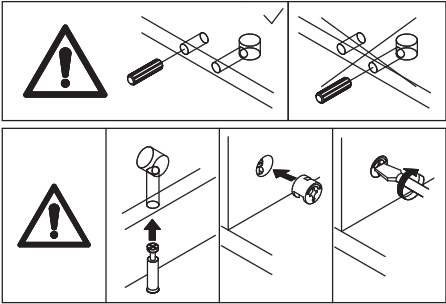
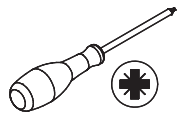
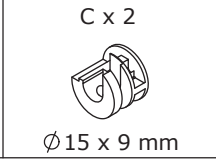
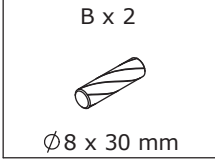
*This is a permanent label.
Do not remove!*

1



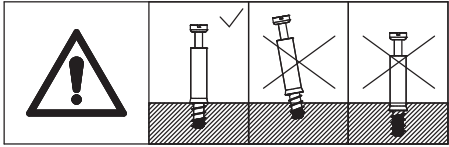
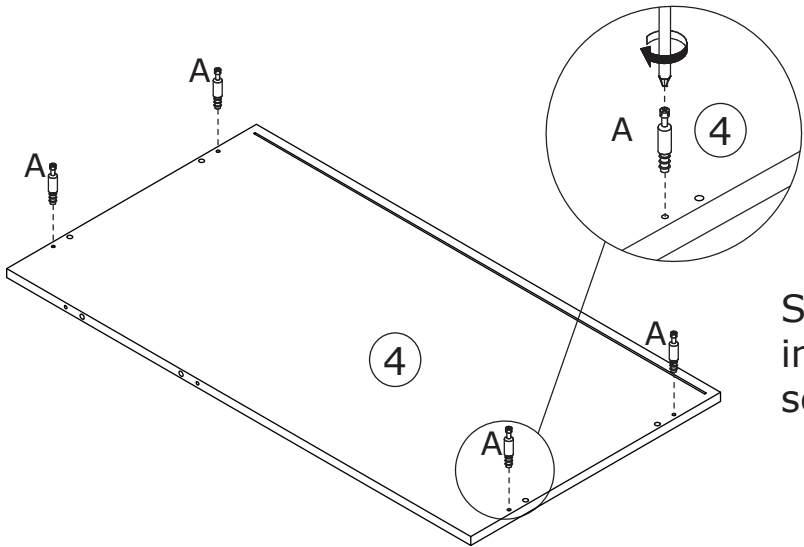
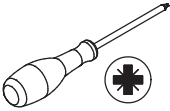
Screw eccentric rod(A) into board 1 and 2 with a screwdriver as shown.

2



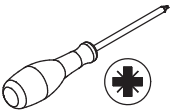
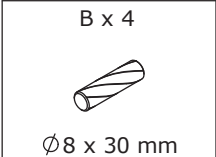
Connect board 3 to board 1 and 2 using wooden dowel(B), add cam lock(C) into board 3 and turn clockwise to tighten as shown.

3

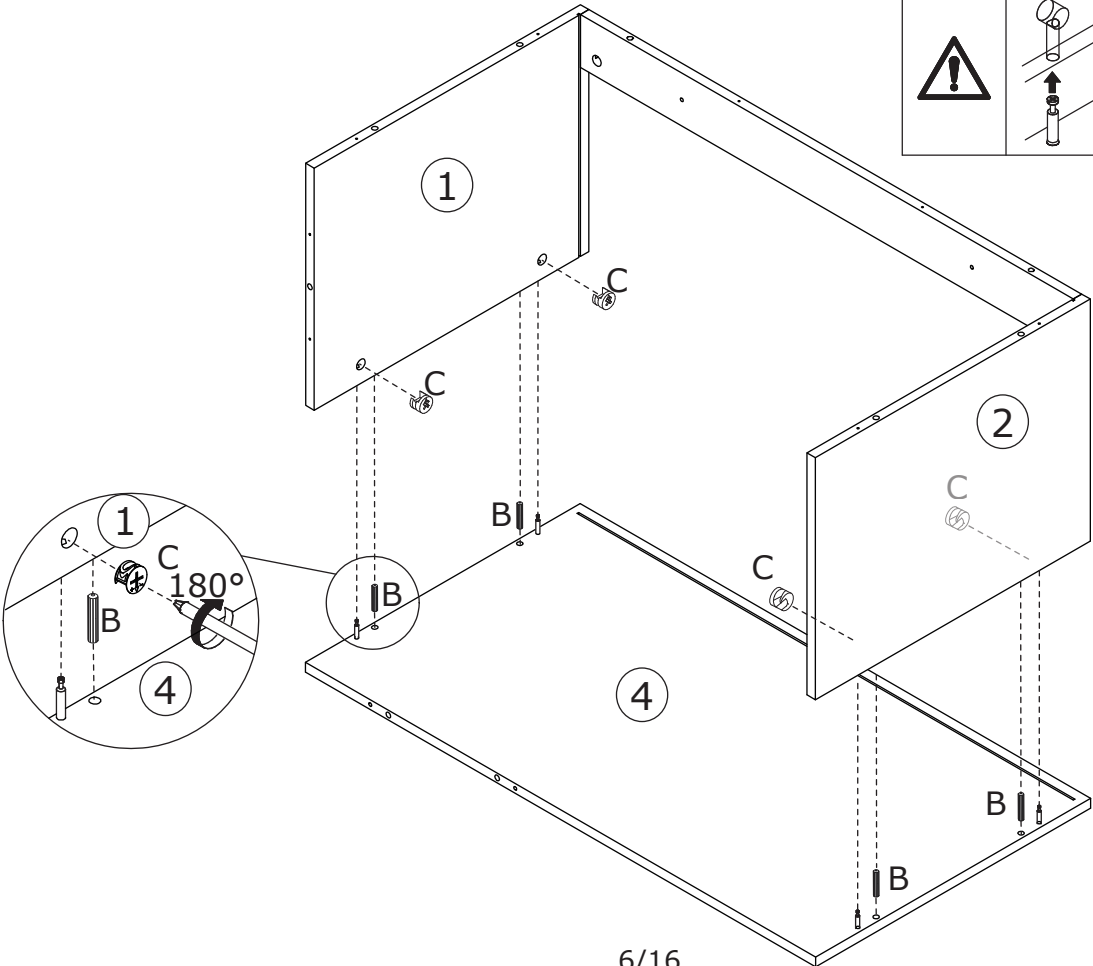
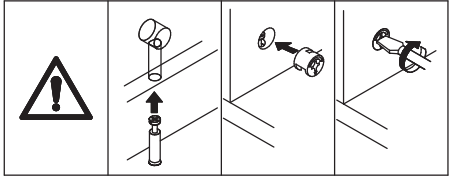
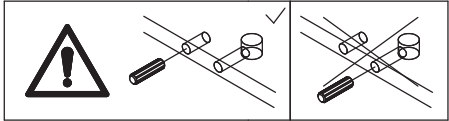


Screw eccentric rod(A) into board 4 with a screwdriver as shown.

4

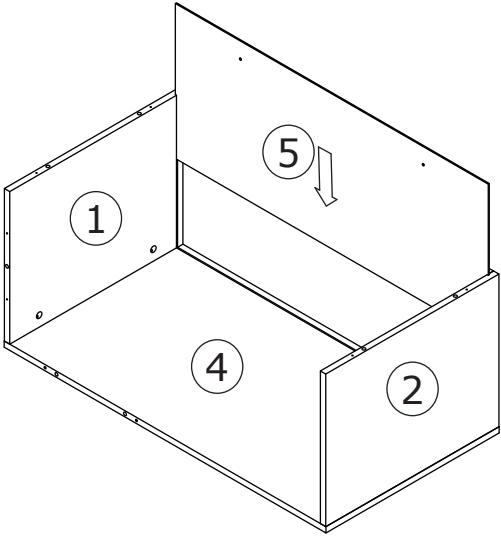


Attach board 4 to board 1 and 2 using wooden dowel(B), add cam lock(C) into board 1,2 and turn clockwise to tighten as shown.

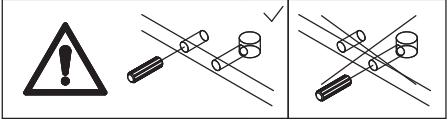


5

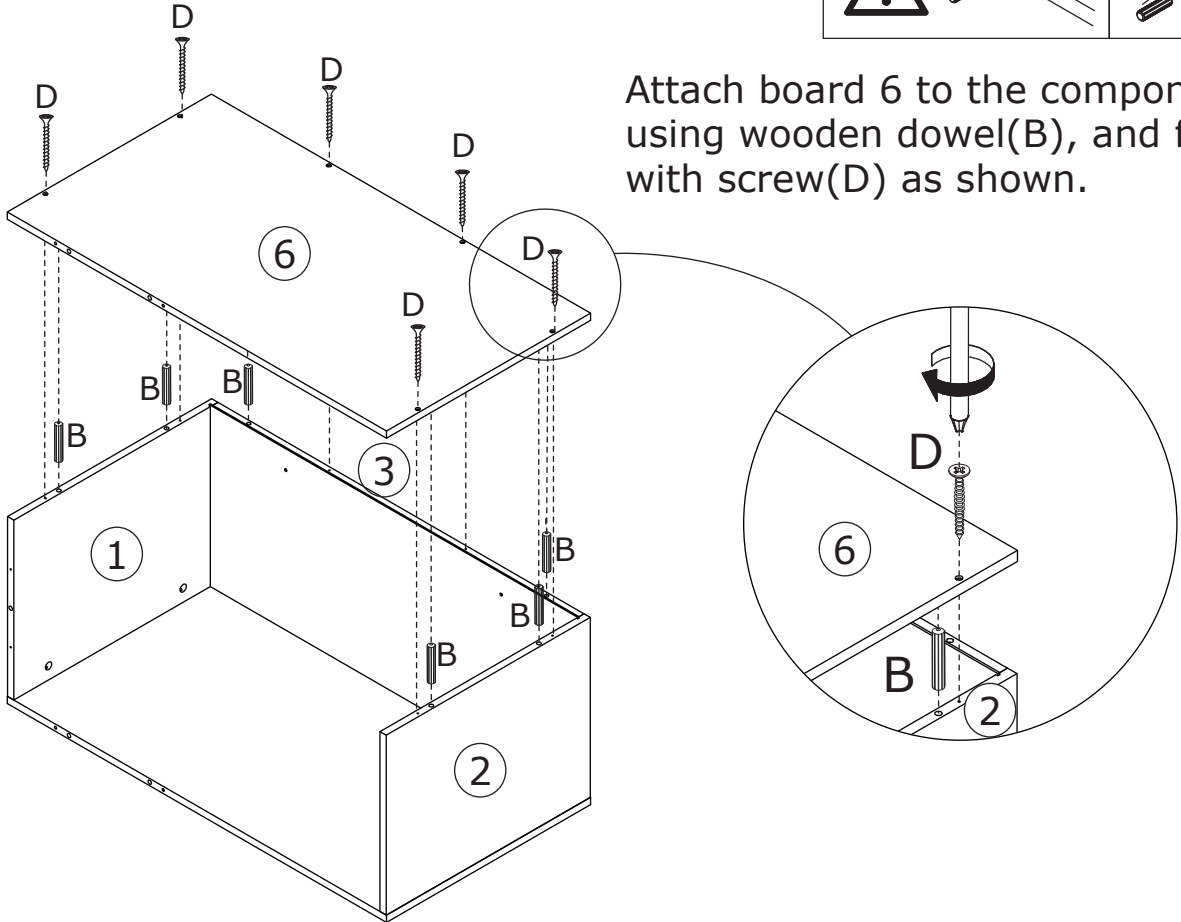
Insert board 5 along available grooves.



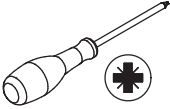
6



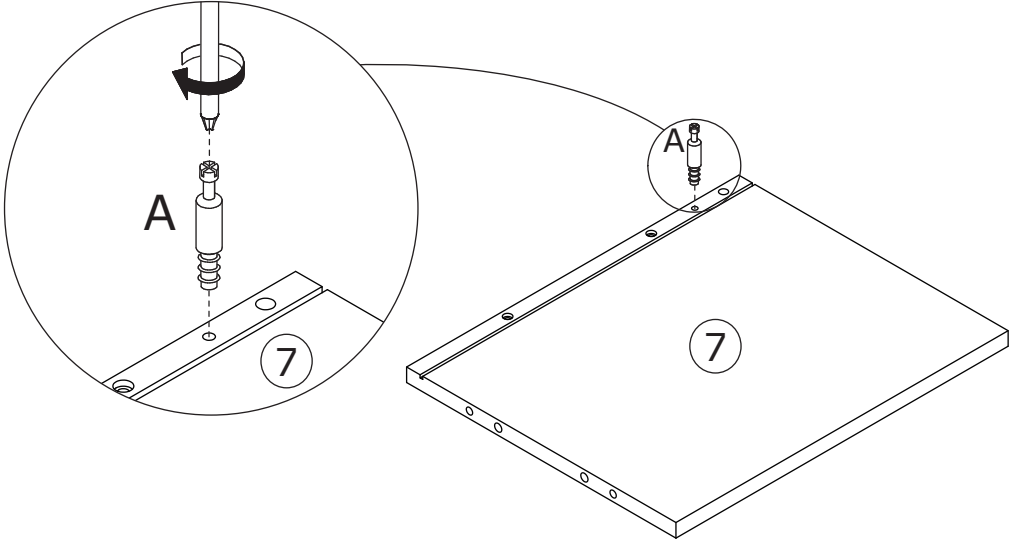
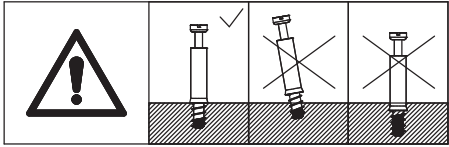
Attach board 6 to the component using wooden dowel(B), and fix with screw(D) as shown.



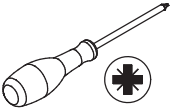
7



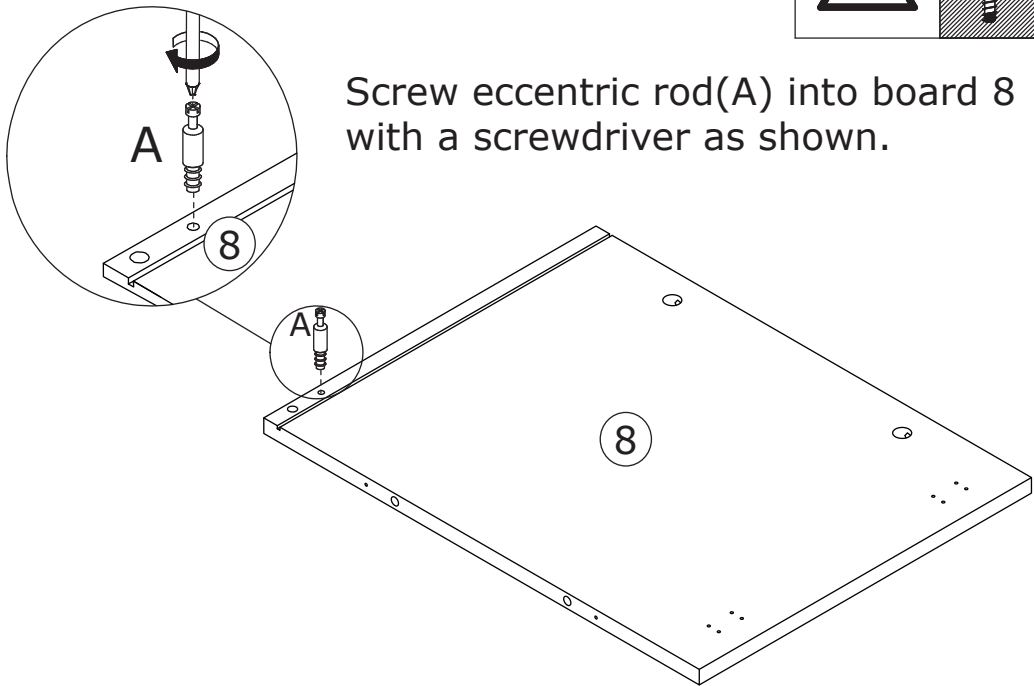
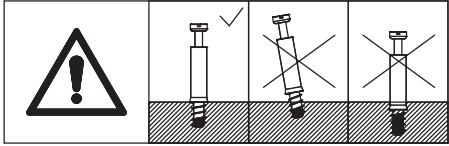
Screw eccentric rod(A) into board 7 with a screwdriver as shown.



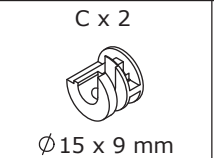
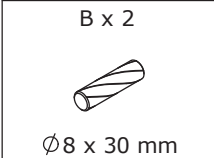
8



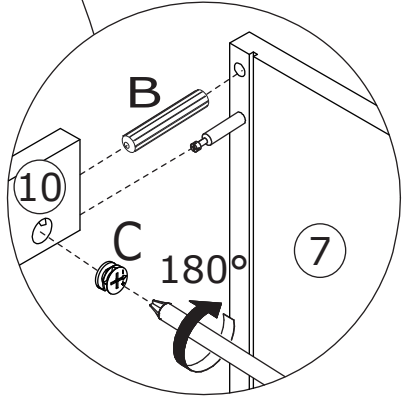
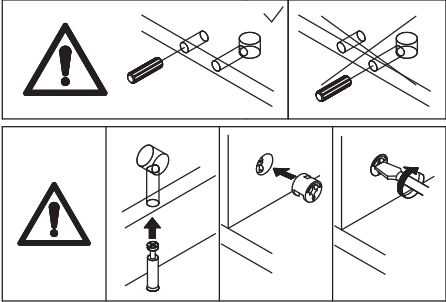
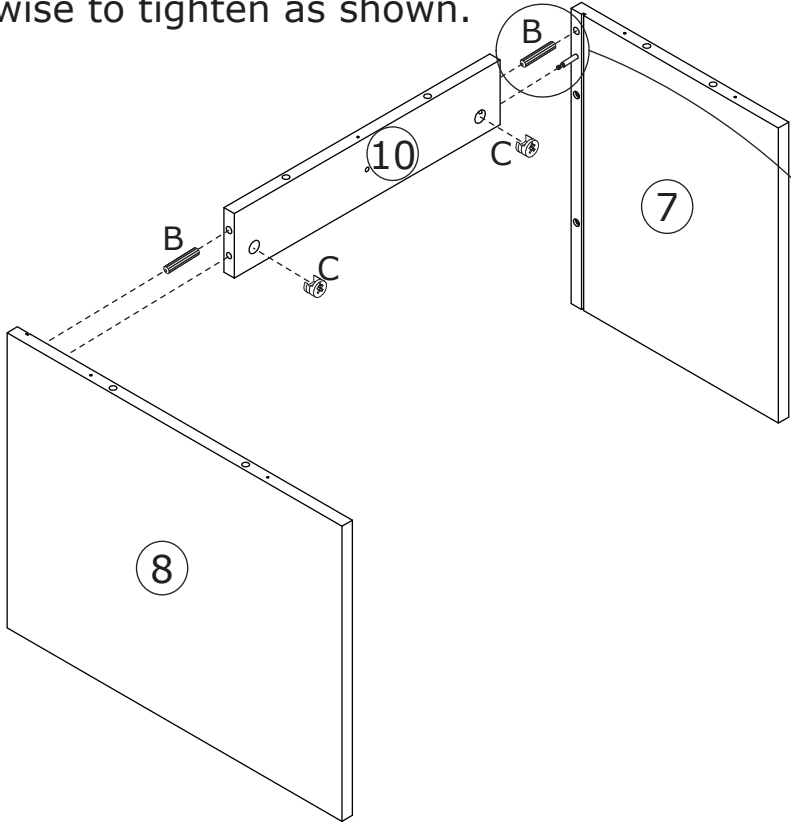
Screw eccentric rod(A) into board 8 with a screwdriver as shown.



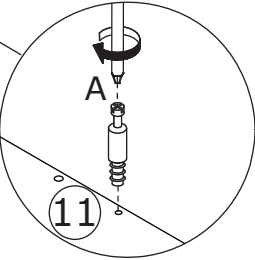
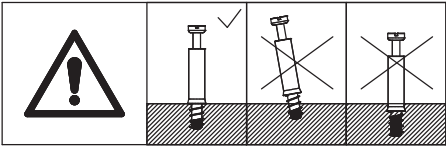
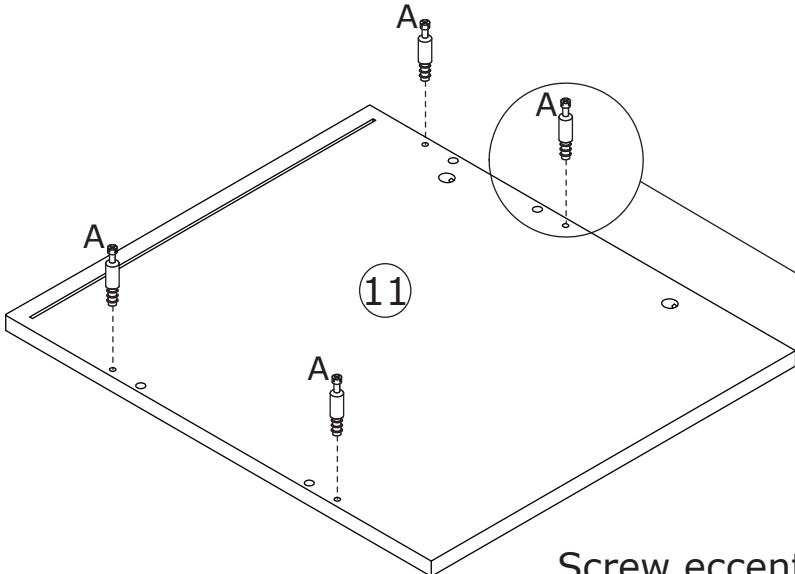
9



Connect board 10 to board 7 and 8 using wooden dowel(B), add cam lock(C) into board 10 and turn clockwise to tighten as shown.



10



Screw eccentric rod(A) into board 11 with a screwdriver as shown.

11

B x 4

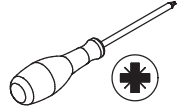


Ø8 x 30 mm

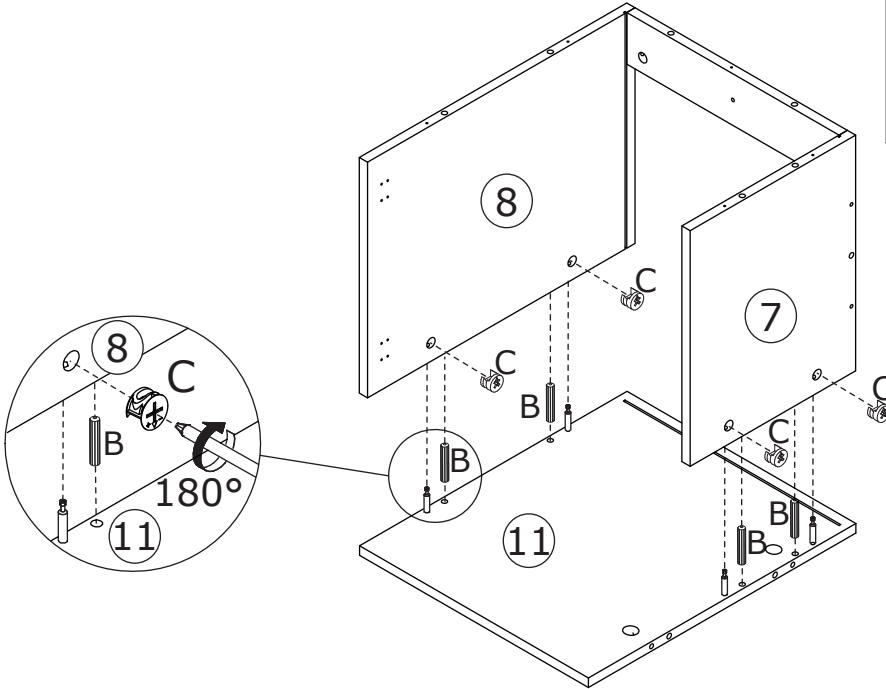
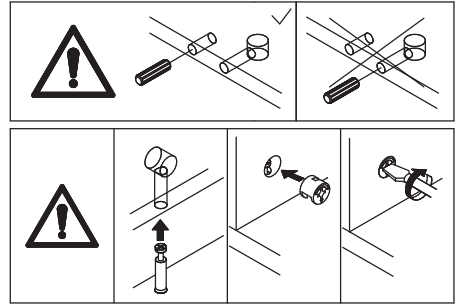
C x 4



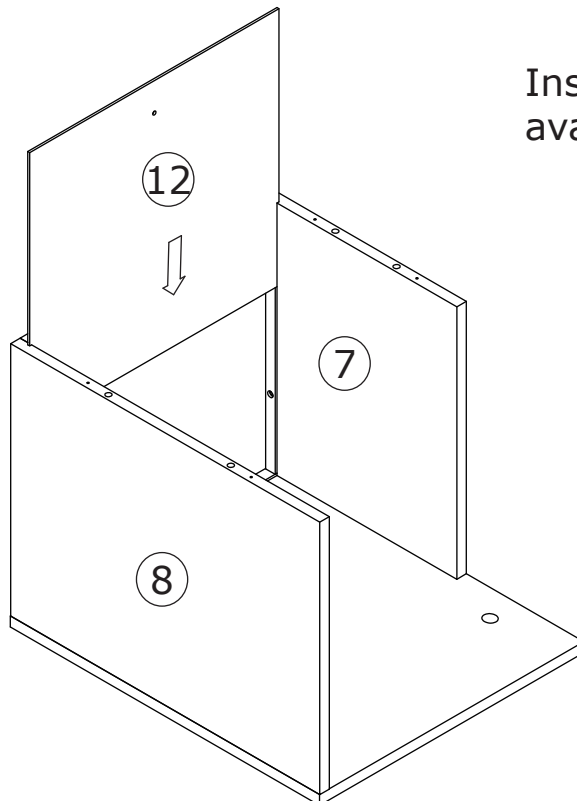
Ø15 x 9 mm



Attach board 11 to board 7 and 8 using wooden dowel(B), add cam lock(C) and turn clockwise to tighten as shown. and fix with screw(D) as shown.



12



Insert board 12 along available grooves.

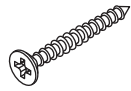
13

B x 6

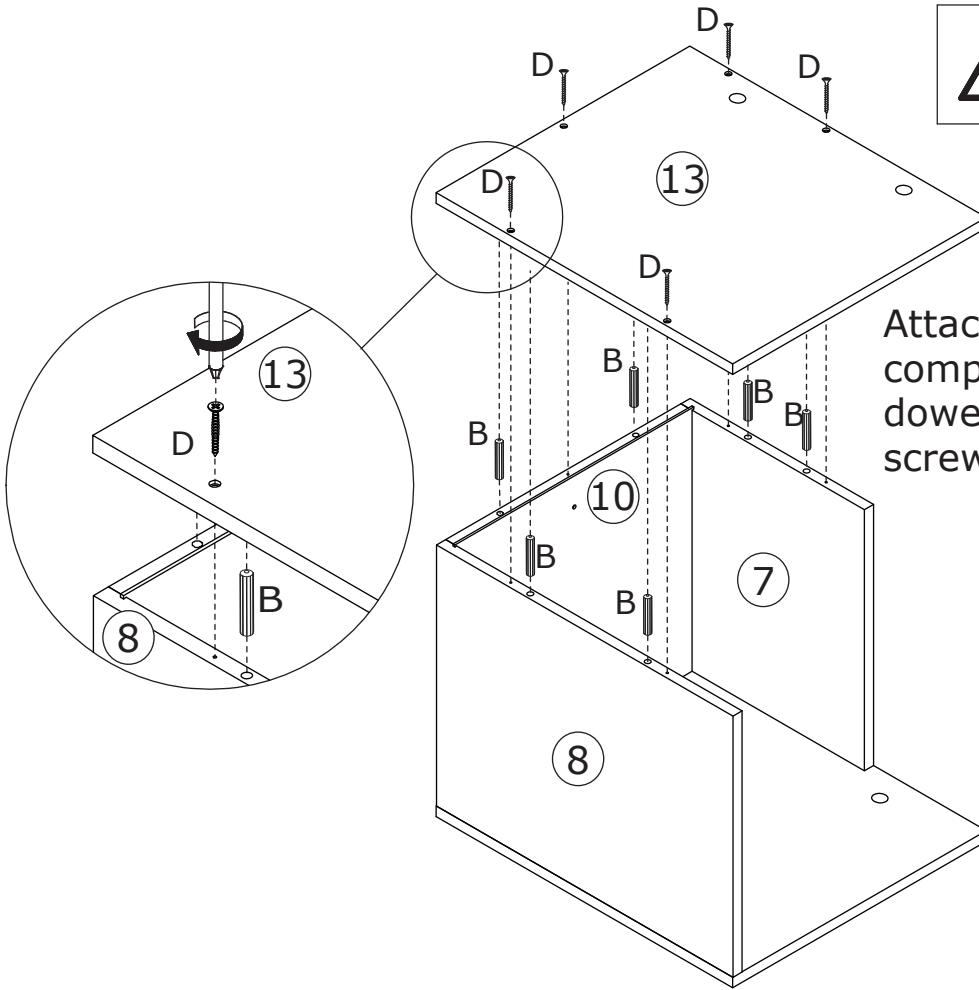
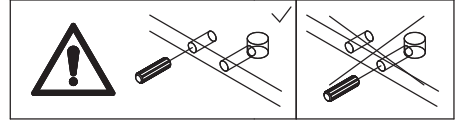
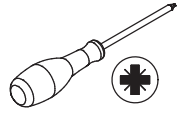


Ø8 x 30 mm

D x 5



Ø4 x 35 mm



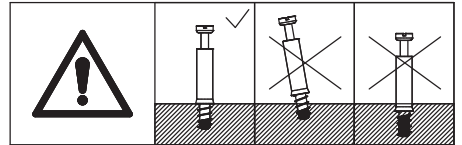
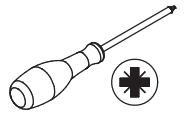
Attach board 13 to the component using wooden dowel(B), and fix with screw(D) as shown.

14

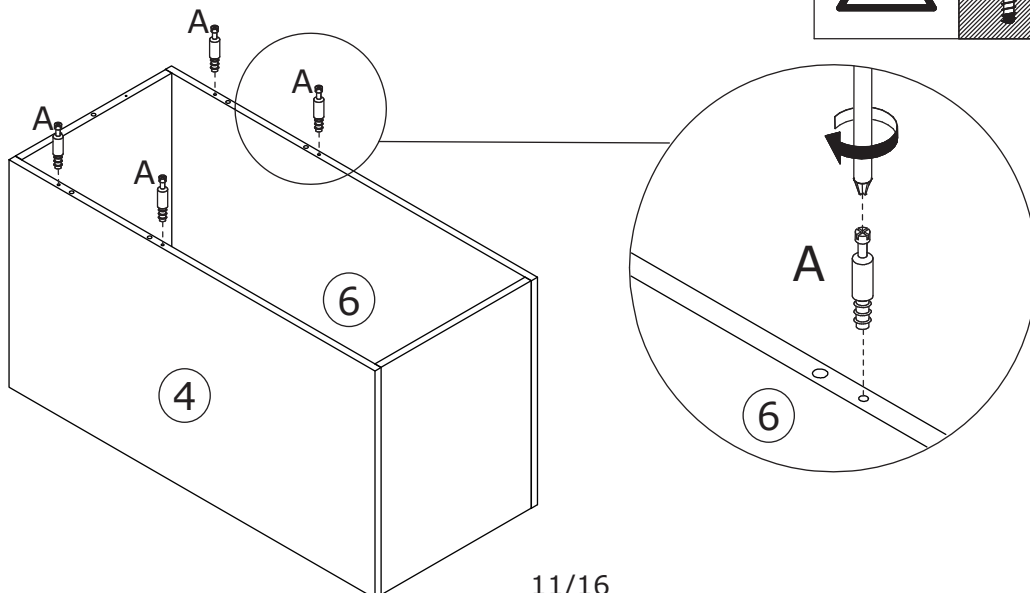
A x 4



Ø6 x 35 mm



Screw eccentric rod(A) into board 4 and 6 with a screwdriver as shown.



15

B x 5

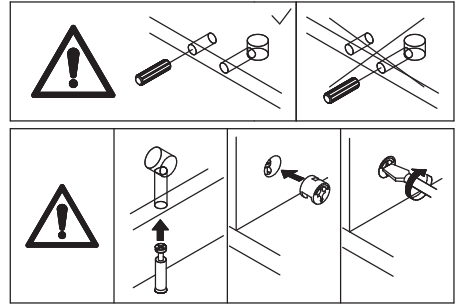
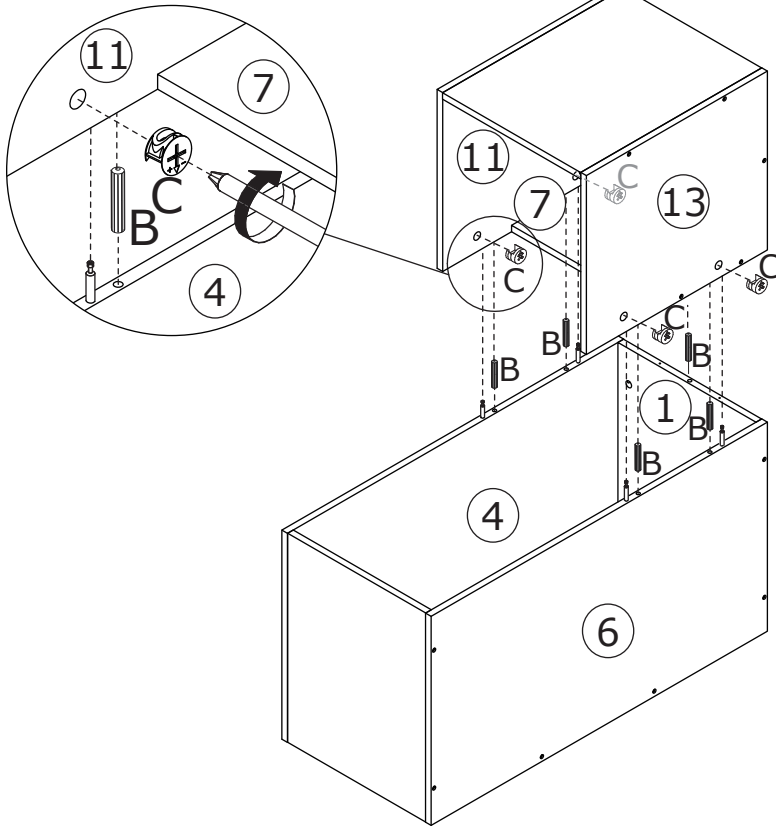
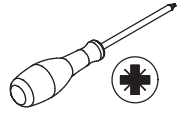


Ø8 x 30 mm

C x 4



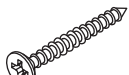
Ø15 x 9 mm



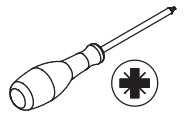
Connect the two assembled components using wooden dowel(B), add cam lock(C) into board 11,13 and turn clockwise to tighten as shown.

16

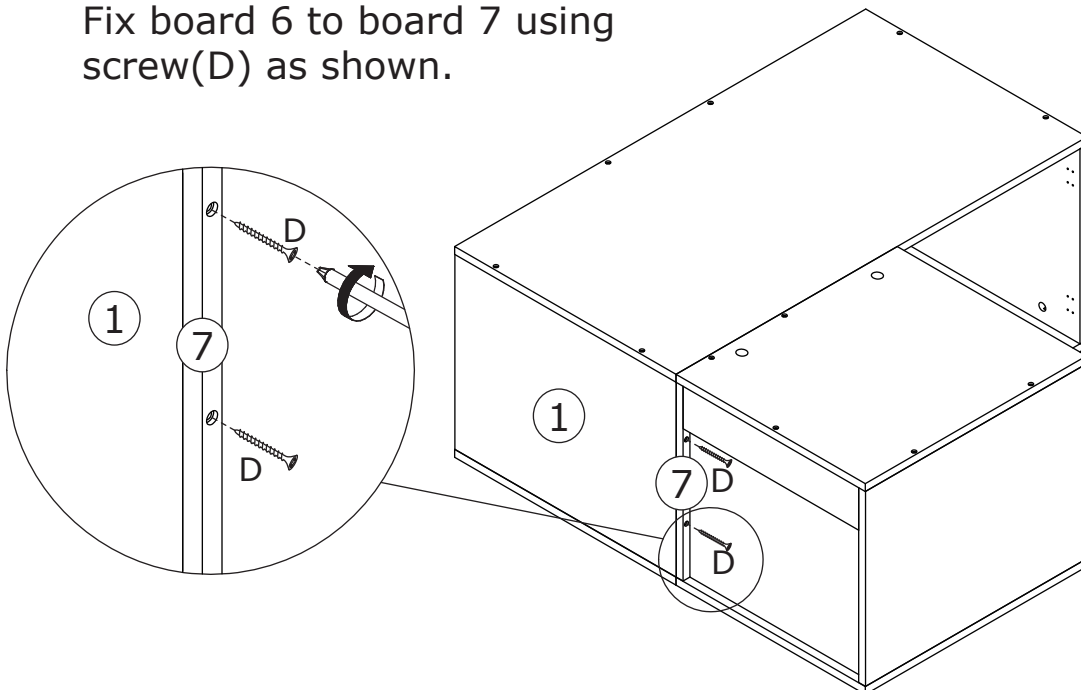
D x 2



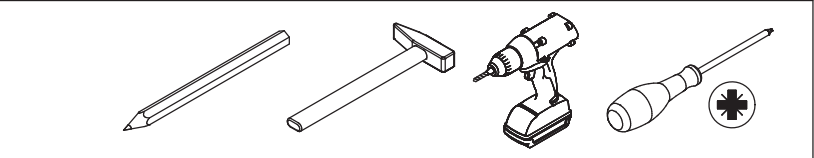
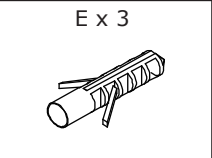
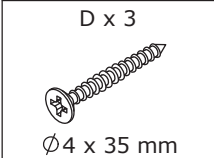
Ø4 x 35 mm



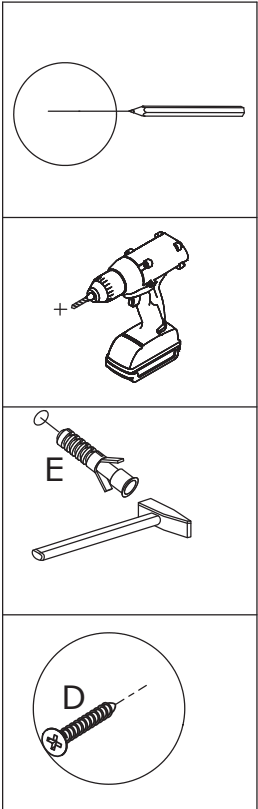
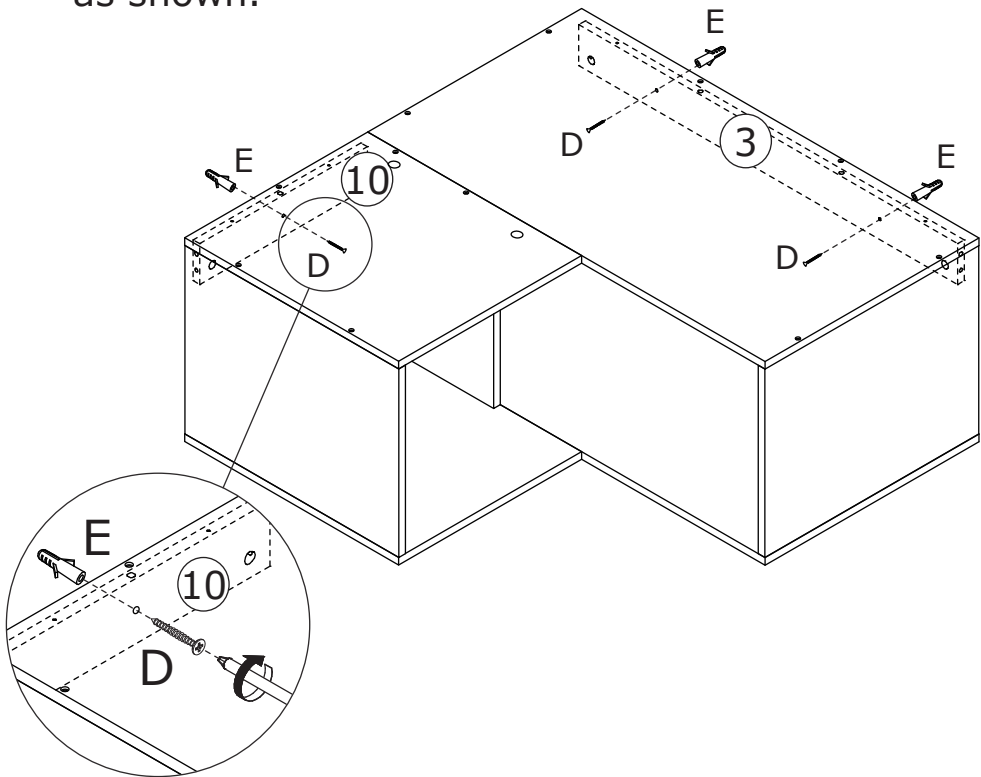
Fix board 6 to board 7 using screw(D) as shown.



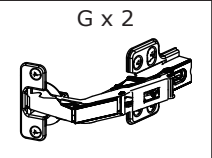
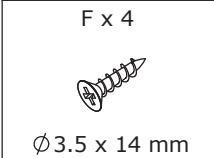
17



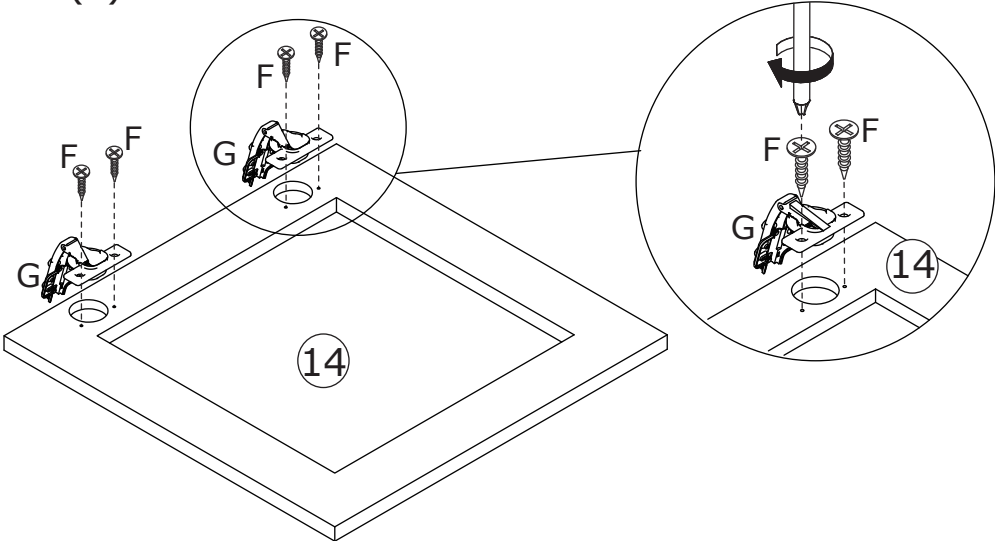
Install anti-tipping device as shown.



18



Fix hinge(G) to board 14 with screw(F) as shown.

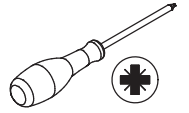


19

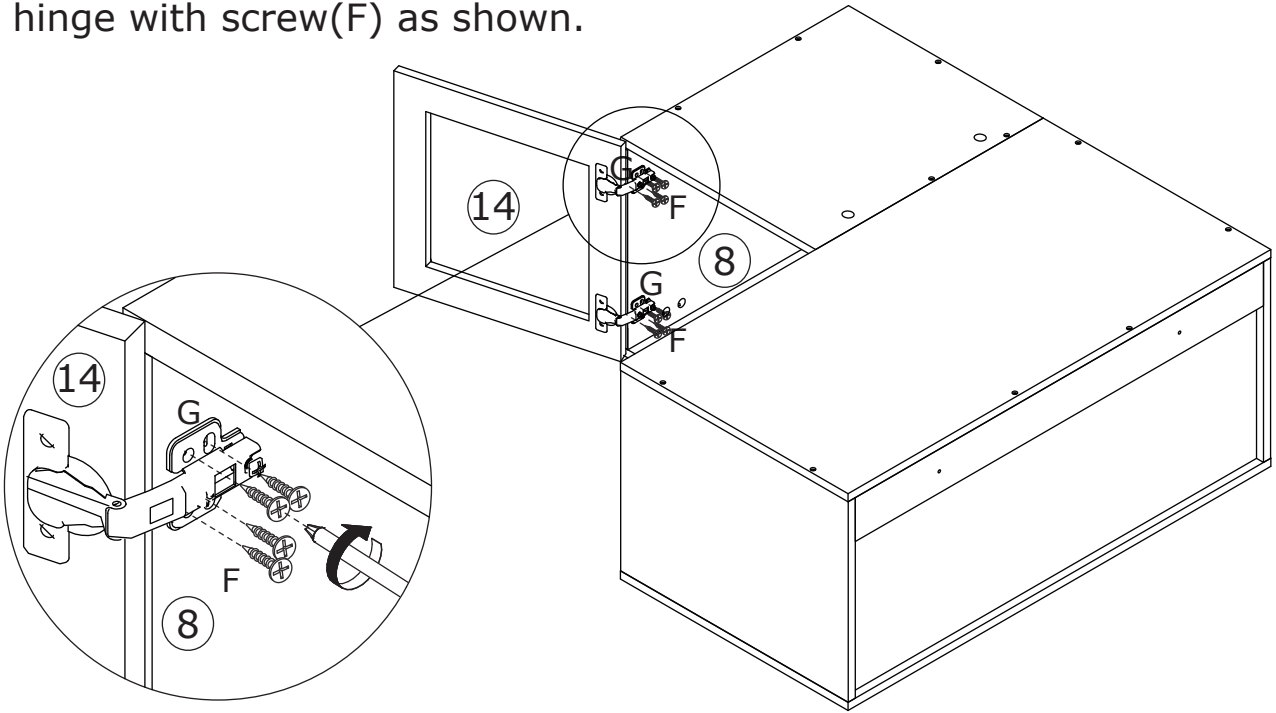
F x 8



Ø3.5 x 14 mm



Assemble door 14 to board 8 by fixing hinge with screw(F) as shown.



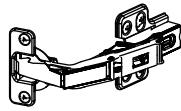
20

F x 4



Ø3.5 x 14 mm

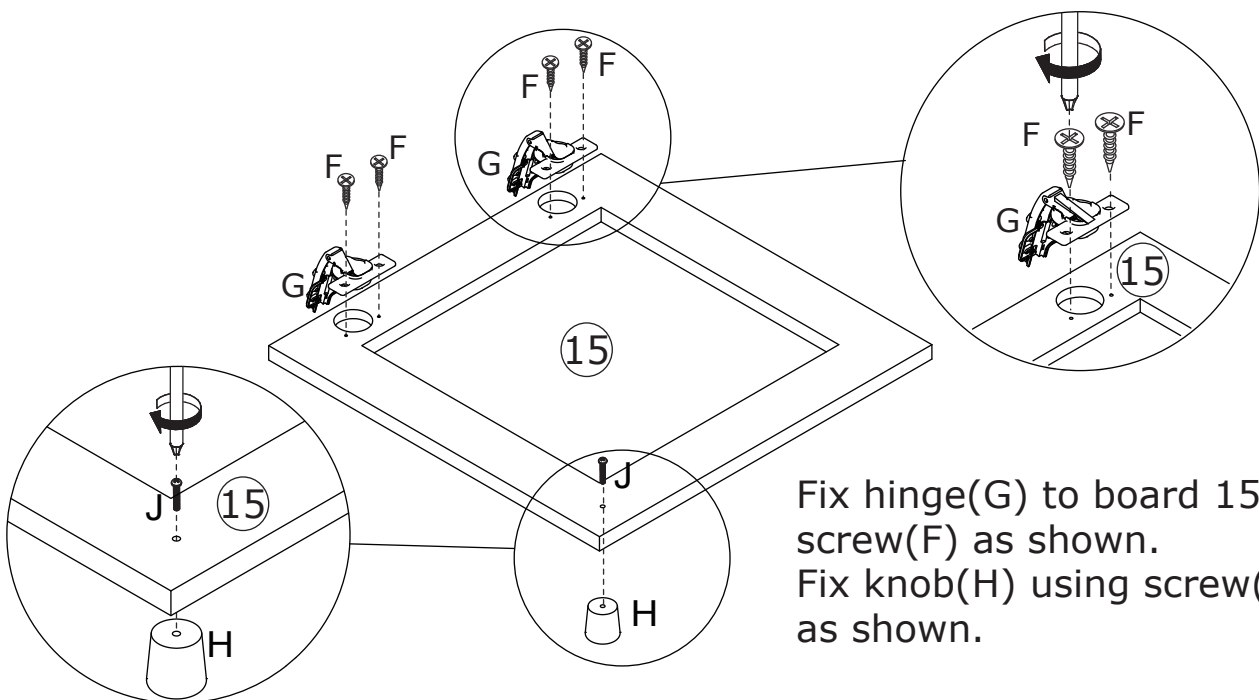
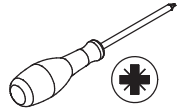
G x 2



H x 1



J x 1



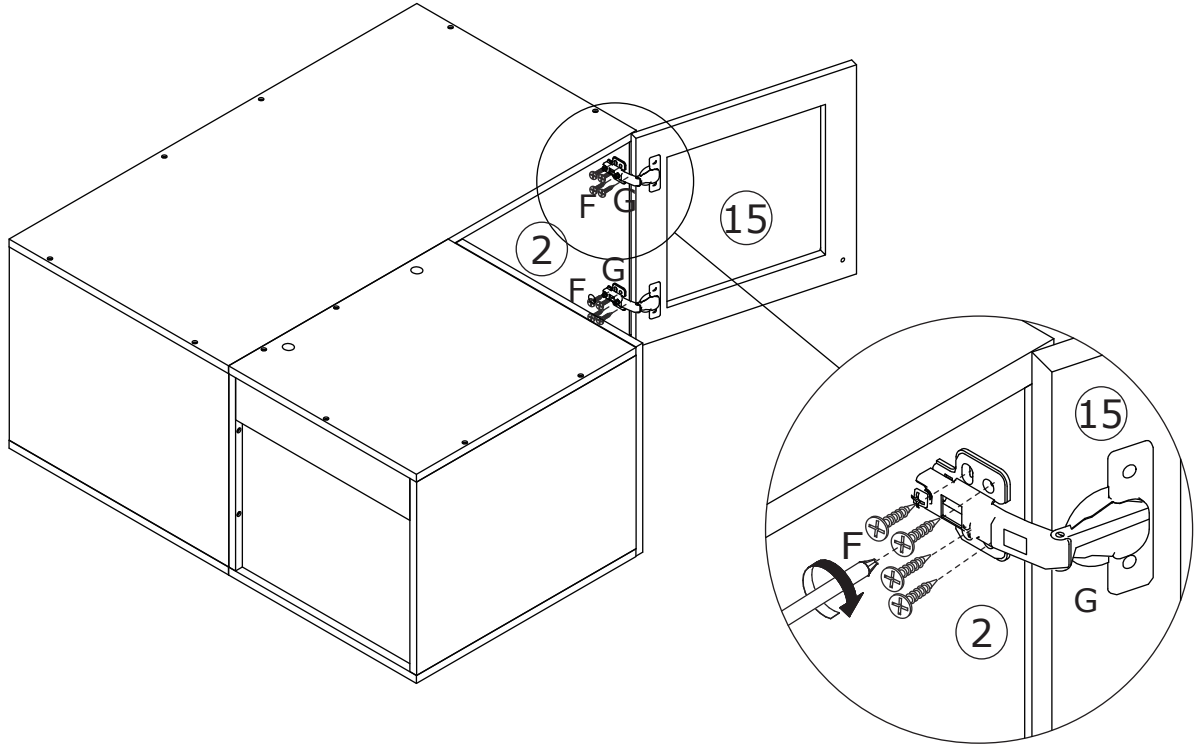
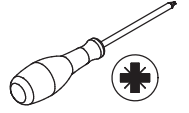
Fix hinge(G) to board 15 with screw(F) as shown.
Fix knob(H) using screw(J) as shown.

21

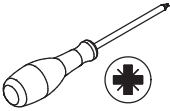
F x 8



Ø3.5 x 14 mm

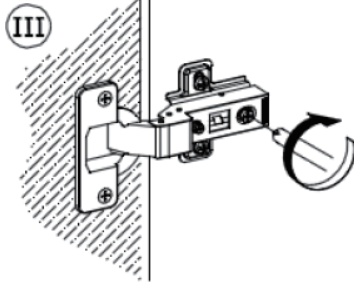
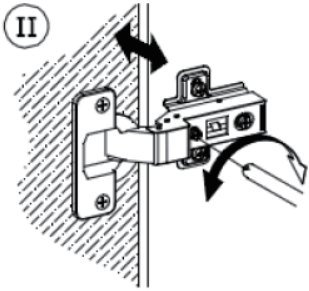
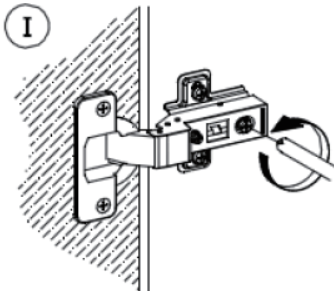
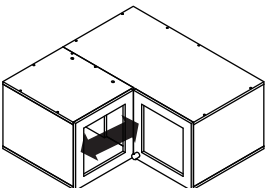
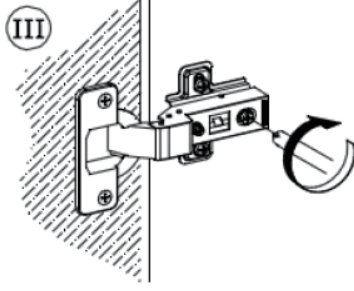
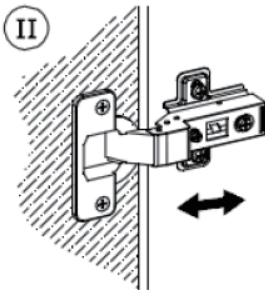
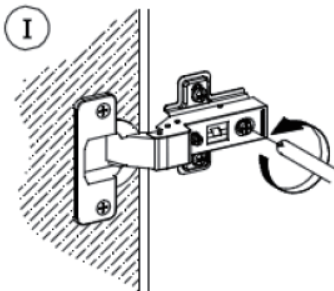
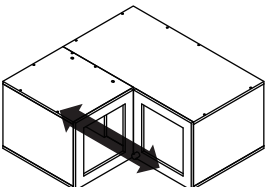
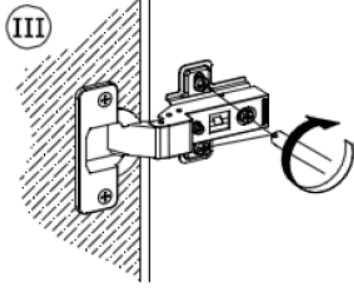
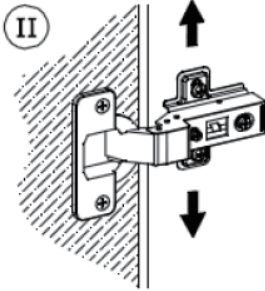
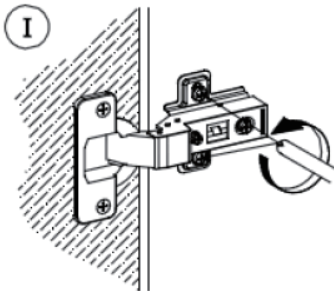
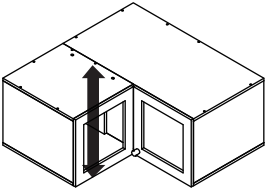
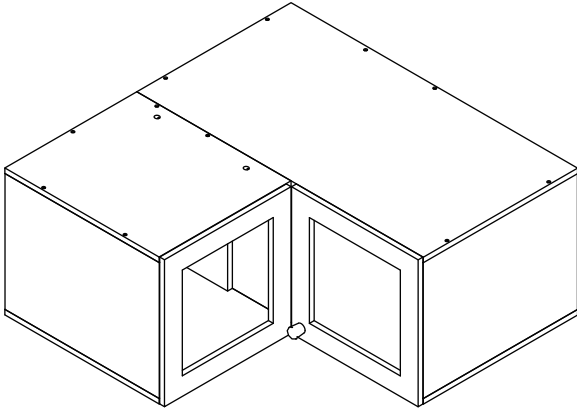


Assemble door 15 to board 2
by fixing hinge with screw(F)
as shown.



If doors are still not aligned if the hinges are properly correctly, please watch the video.

<https://youtu.be/n0Lb36SoODM>



WARRANTY

WARRANTY CLAIMS

- There is a 30-day warranty for broken furniture or any other problems that do not work properly. The warranty will start from the date of purchase which must be verified by proof of purchase.
- Before making a claim, we may be able to answer your query, simply call us. Please leave your purchase order number, along with some details of the problem, if you want a replacement part. We will arrange within 48 hours. If there is out of stock, we will reply with a shipping date.
- The product must be used in accordance with the instructions provided. For health reasons.
- For other reasons, if the furniture needs to be returned, it must be cleaned and dried and operated within 30 days of receipt.

Type of Warranty Claim

- Failure to follow the furniture instructions will invalidate the warranty. Attention please.
- Does not include damage during installation, but includes damage during transportation.

Scope of responsibility

- Shall not bear any responsibility for misuse or user damage and / or loss of parts during the installation of furniture.
- After using, the damage and scratches of the furniture are not covered by the warranty.

The Warranty Relates to All Bought in The Us and Covers The Following Areas

- Sheet parts: 1 month from the date of purchase.
- Electrical parts: 1 month from the date of purchase.

RETURNS

CHANGED YOUR MIND AND NEED TO RETURN YOU ITEM?

PLEASE FOLLOW THE BELOW INSTRUCTIONS:

- If you have purchased and have simply changed your mind, follow the retailer's instructions for returns.

DEFECTIVE ITEMS

- If your item is defective in any way, i.e. it doesn't work but you can't identify why, in the first instance, please call us.

DAMAGED ITEMS

- If you receive an order with obvious shipping damage from the retailer, then we suggest the delivery is refused. If the delivery has been accepted and then shipping damage is found, please follow the specific instructions advised by the retailer.
In all circumstances please save all packaging material and paperwork for the order. Please be aware that if you dispose of packaging material or attempt to return the merchandise without contacting the fulfiller, you jeopardise your chances of making a claim, and you may not receive a credit for the return.

AFTER-SALES CONTACT



feedbackstation@163.com



(303)800-6387