

# Slater® Plastic Boxes 4" Round Ceiling Boxes

With Dual Threaded Mounting Holes

Pass & Seymour



Slater® Plastic Boxes

Catalog Number	Cu. In. Vol.	Description	Dimensions (inches)		Wires (AWG)	Qty. Per Carton	UL Listed Max. Weight Rating
			Dia.	Depth			Fixture
<b>Ceiling Boxes</b>							
S120RAC	20.25	4" round. 2 captive mounting nails. 4 Auto/Clamps.	4	2 <sup>3</sup> / <sub>16</sub>	10 No. 14 9 No. 12 8 No. 10	50	50 lbs.
S120RGAC	20.25	4" round with ground lug. 2 captive mounting nails. 4 Auto/Clamps.	4	2 <sup>3</sup> / <sub>16</sub>	10 No. 14 9 No. 12 8 No. 10	50	50 lbs.
S120JAC	20.25	4" round. J-bracket with 2 captive mounting nails. 4 Auto/Clamps.	4	2 <sup>3</sup> / <sub>16</sub>	10 No. 14 9 No. 12 8 No. 10	50	50 lbs.
S120JGAC	20.25	4" round with ground lug. J-bracket with 2 captive mounting nails. 4 Auto/Clamps.	4	2 <sup>3</sup> / <sub>16</sub>	10 No. 14 9 No. 12 8 No. 10	50	50 lbs.
S120HAC	20.25	4" round. Bar-hanger adjusts to 16" or 24" joist spacing. 4 Auto/Clamps.	4	2 <sup>3</sup> / <sub>16</sub>	10 No. 14 9 No. 12 8 No. 10	50	50 lbs.
S120HGAC	20.25	4" round with ground lug. Bar-hanger adjusts to 16" or 24" joist spacing. 4 Auto/Clamps.	4	2 <sup>3</sup> / <sub>16</sub>	10 No. 14 9 No. 12 8 No. 10	50	50 lbs.
S120RACS	20.25	4" round. 2 captive mounting screws. 4 Auto/Clamps.	4	2 <sup>3</sup> / <sub>16</sub>	10 No. 14 9 No. 12 8 No. 10	50	50 lbs.

All boxes are UL listed.

UL Classified for 2 Hour Fire Resistance.

Dual mounting accommodates both 2.75" and 3.5" fixtures.



S120RAC



S120RGAC



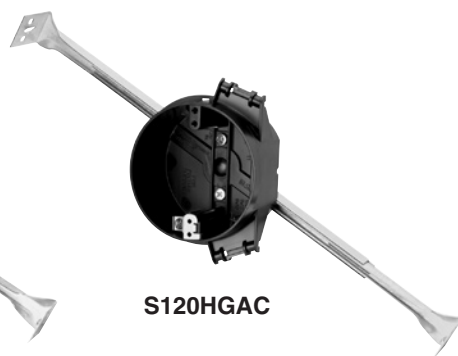
S120JAC



S120JGAC



S120HAC



S120HGAC



S120RACS

Catalog Number	Description	Qty. Per Carton
<b>Covers for 4" Round Boxes</b>		
4RBC	4" round flat blank cover – gray	50
4RBCW	4" round flat blank cover – white	50



4RBC

All devices listed on this page conform to NEMA OS2.

4" Round Ceiling Boxes