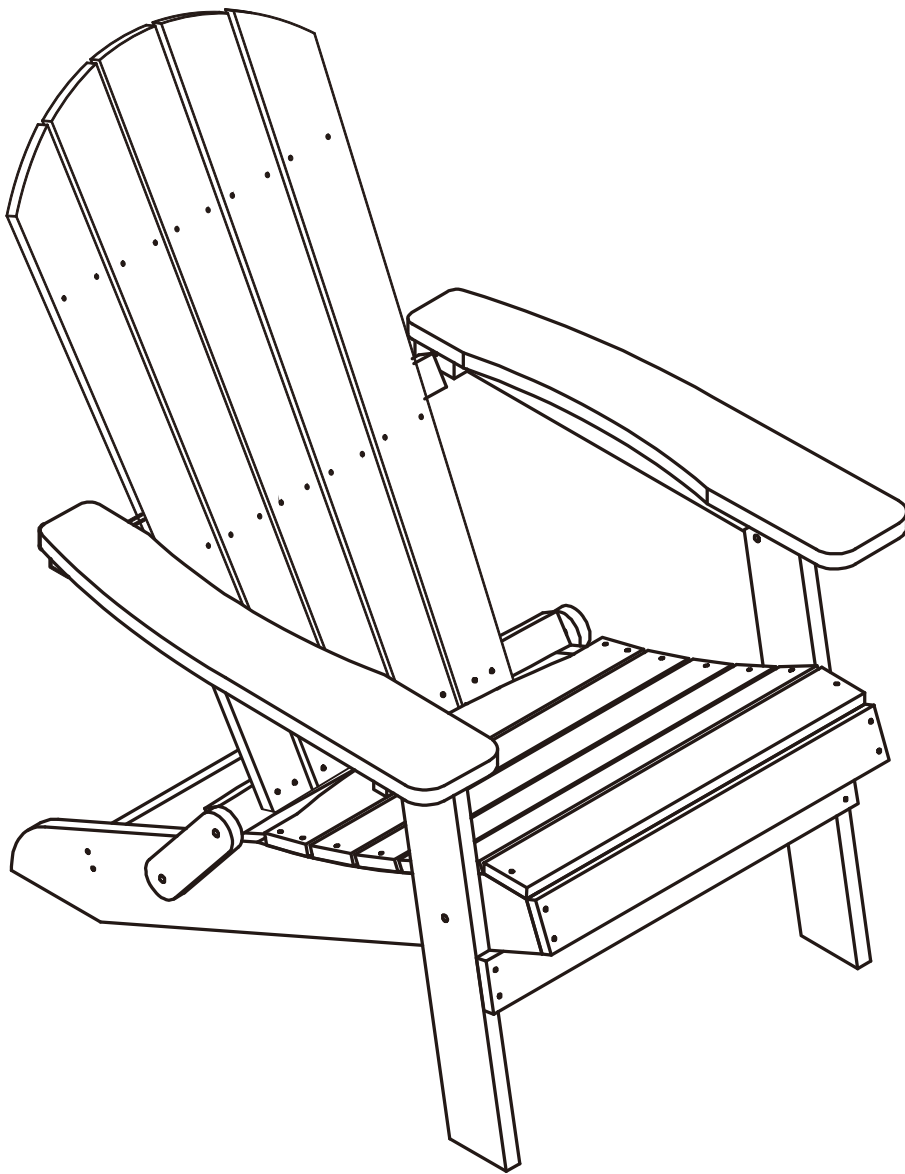
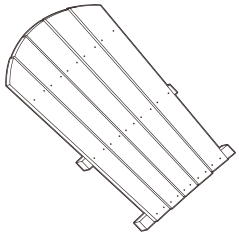
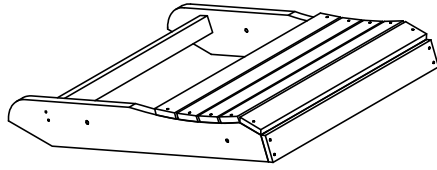
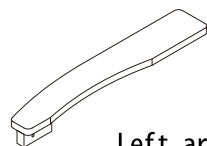
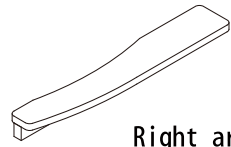

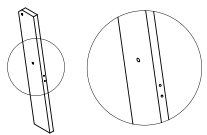
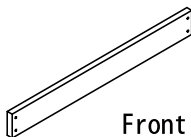
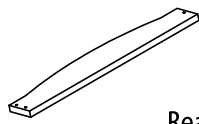


ASSEMBLY INSTRUCTION


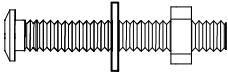
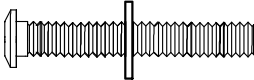
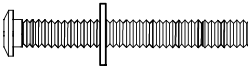
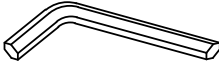
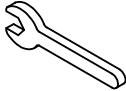
ITEMNO. : OGWS0343



Parts List

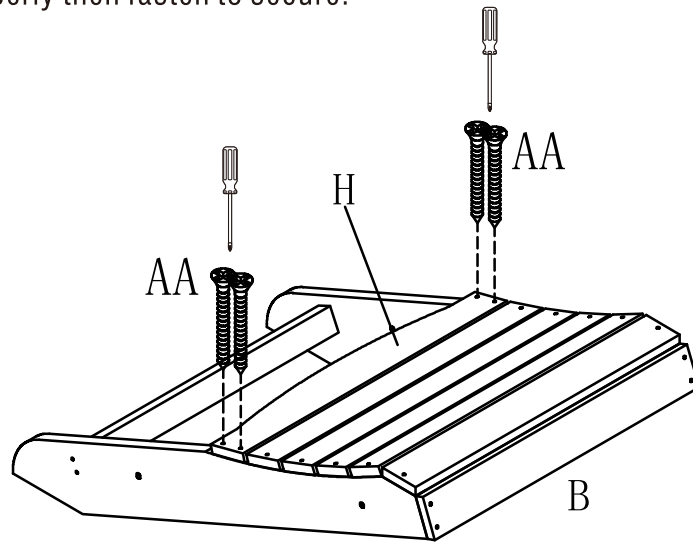
<p>A</p>	 <p>Back</p>	<p>1PC</p>
<p>B</p>	 <p>Seat</p>	<p>1PC</p>
<p>C</p>	 <p>Left armrest</p>	<p>1PC</p>
<p>D</p>	 <p>Right armrest</p>	<p>1PC</p>
<p>E</p>	 <p>Vertical Back Support</p>	<p>2PCS</p>
<p>F</p>	 <p>Front Legs</p>	<p>2PCS</p>
<p>G</p>	 <p>Front Leg Cross Beam</p>	<p>1PC</p>
<p>H</p>	 <p>Rear Seat Slat</p>	<p>1PC</p>

Hardware List

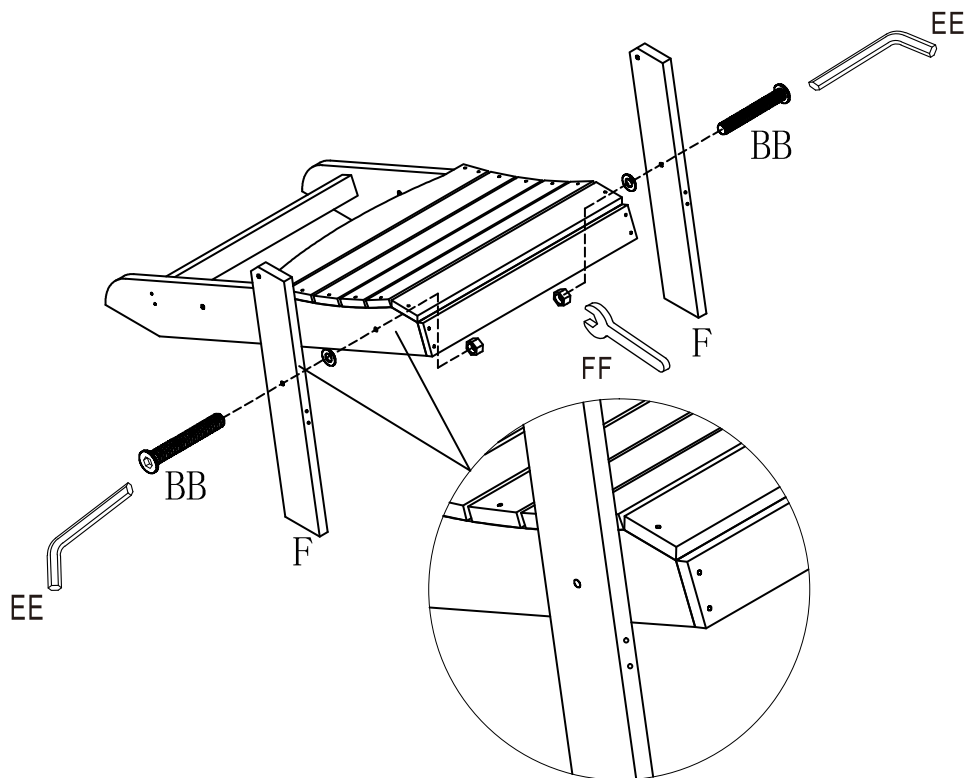
AA	 A standard Phillips screw with a diameter of 4mm and a length of 35mm.	Screw(4x35)	8PCS
	Extra screw	Screw(4x35)	1PC
BB	 A hex head bolt with a diameter of 8mm and a length of 50mm.	Bolt (8x50)	6PCS
	Extra bolt	Bolt (8x50)	1PC
CC	 A hex head bolt with a diameter of 8mm and a length of 50mm.	Bolt (8x50)	2PCS
DD	 A hex head bolt with a diameter of 8mm and a length of 80mm.	Bolt (8x80)	2PCS
EE	 A standard hex key (Allen key).		1PC
FF	 A standard open-end wrench.		1PC

Note: screwdriver not included

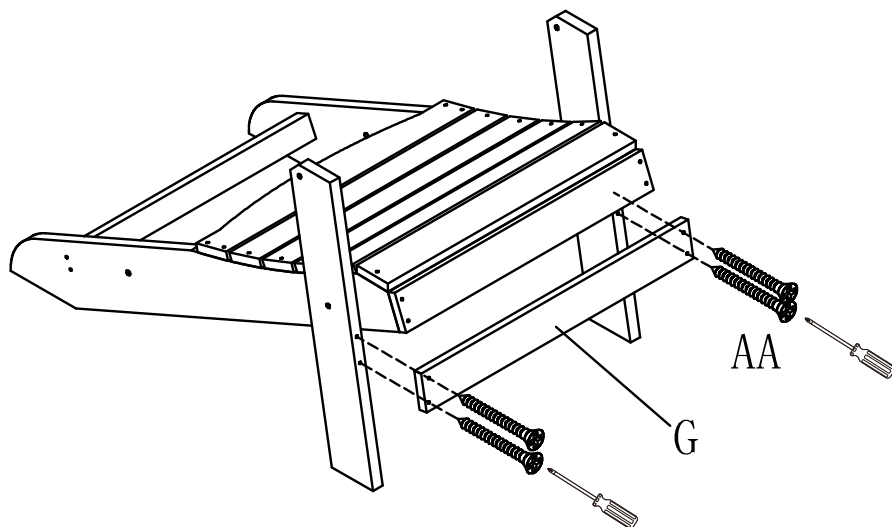
STEP 1:Place seat B on clean padded surface, use philips head screw driver (excluded), screw AA, to attach rail H to the seat frame, make sure end of rail align with seat frame properly then fasten to secure.



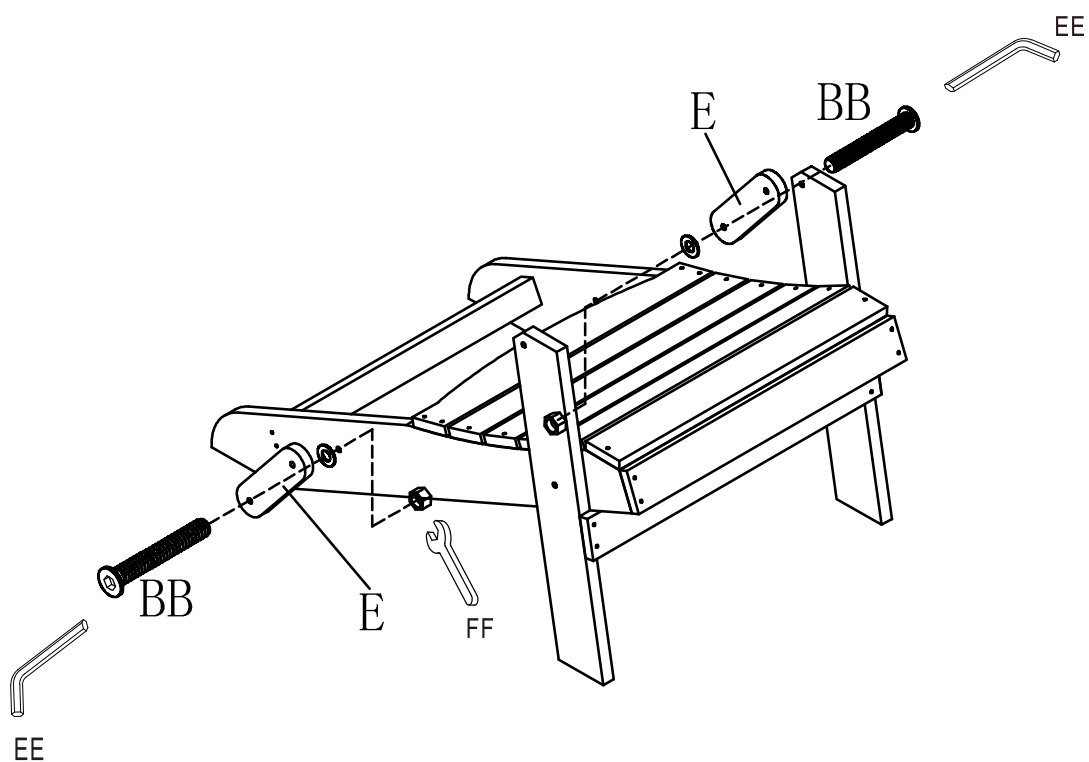
STEP 2:Use allen key EE, open wrench FF, bolt & nut BB, to attach front legs F to the seat frame, Please don't tighten any bolt until STEP 6.



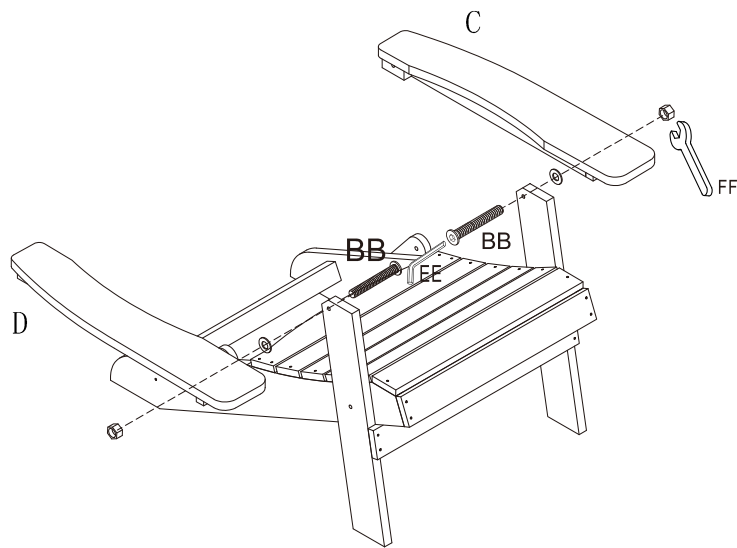
STEP 3: Use philips head screw driver (excluded), screw AA, to attach front stretcher G to left and right legs F, make sure end of stretcher align with legs properly then fasten to secure.



STEP 4: Use allen key EE, open wrench FF, bolt & nut BB, to attach back support E to the seat frame, Please don't tighten any bolt until STEP 6.



STEP 5: Use allen key EE, open wrench FF, bolt & nut BB, to connect armrest C/D with front legs F



STEP 6: Use allen key EE, bolt CC, to connect back support E with bottom rail of chair back A, use allen key EE, bolt DD to connect rear armrest D with middle back rail of chair back A. Make sure all parts connect properly then fast all bolts to secure. Assembly completed.

