

Elevate™ 36" x 36" Curved Corner Shower Base

A8016T-CO.011

Features:

- Curved corner design for more space and comfort
- Engineered with premium StruXure® material to resist chipping and peeling
- Easy to clean, non-porous surface resists mold and mildew
- Preformed DuraComb™ support base for an easier, no-mortar install. **NOTE:** Maximum weight support of 300 lbs. without mortar.
- Single, 2-3/4" low threshold base for easy entry and exit
- Center drain with drain cover included
- Textured, non-slip floor
- Installation clips included for convenience
- Shower drain not included
- 10-Year warranty

Nominal Dimensions:

36" x 36" x 2-3/4"
(914 x 914 x 70 mm)

Compliance Certifications -

Meets or Exceeds the Following Specifications:

- CAN/CSA B45.5/IAPMO Z124
- ASTM E162, ASTM E662, CAN/ULC-S102, ASTM E84



A8016T-CO SHOWER BASE
Center Drain

To Be Specified - Required:

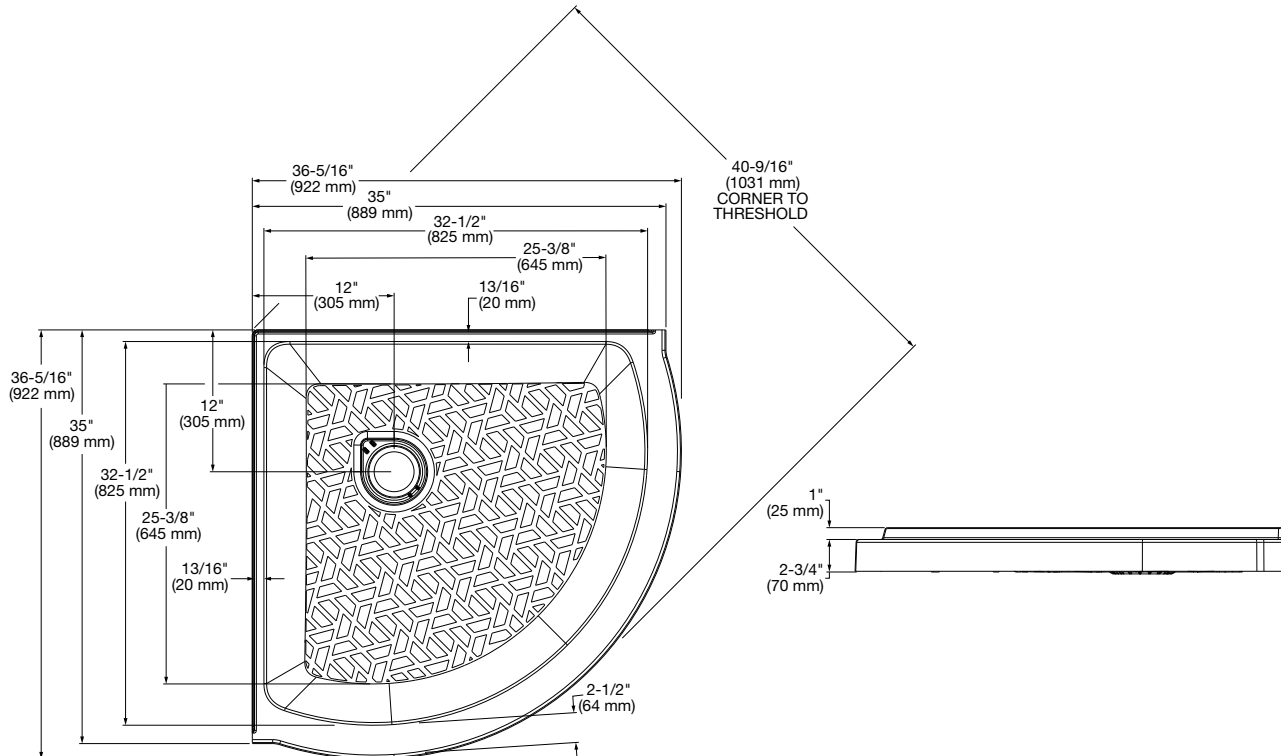
- Color: .011 Arctic White

To Be Specified - Optional:

- Shower Walls: 2947SWT36.011
- Shower Door: AM00840400

SEE NEXT PAGE FOR ROUGHING-IN DIMENSIONS
AND PRODUCT SPECIFICATIONS

A8016T-CO.011



NOTES:

REFER TO INSTALLATION INSTRUCTIONS SUPPLIED WITH PRODUCT FOR ADDITIONAL INFORMATION.

FITTINGS NOT INCLUDED AND MUST BE ORDERED SEPARATELY.

PROVIDE SUITABLE REINFORCEMENT FOR ALL SUPPORTS.

IMPORTANT: Dimensions of fixtures are nominal and may vary within the range of tolerances established by ANSI Standard Z124. These measurements are subject to change or cancellation. No responsibility is assumed for use of superseded or voided leaflet.