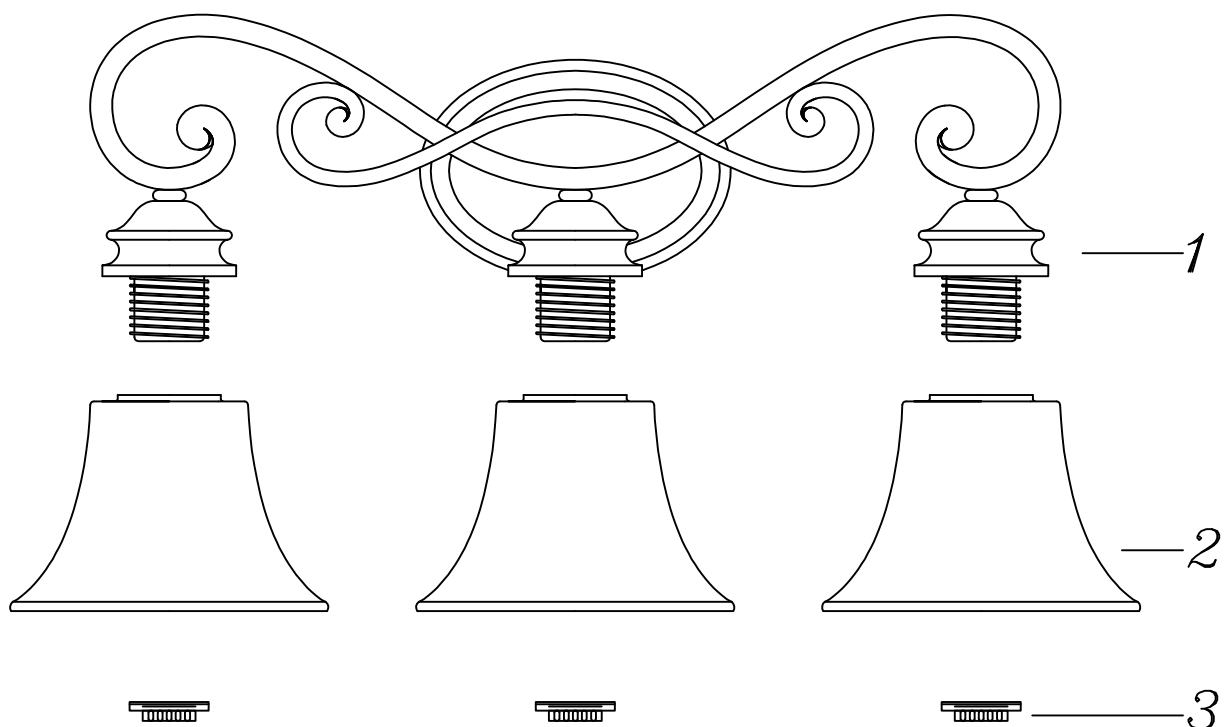


ASSEMBLY INSTRUCTION FOR

81803-FSN



**BATH & VANITY FIXTURE
ASSEMBLY & INSTALLATION
INSTRUCTIONS**

Please read carefully and save these instructions, as you may need them at a later date.

CAUTION

Turn off the main power at the circuit breaker before installing the fixture, in order to prevent possible shock.

GENERAL

All electrical connections must be in accordance with local and National Electrical Code (N.E.C.) standards. If you are unfamiliar with proper electrical wiring connections obtain the services of a qualified electrician.

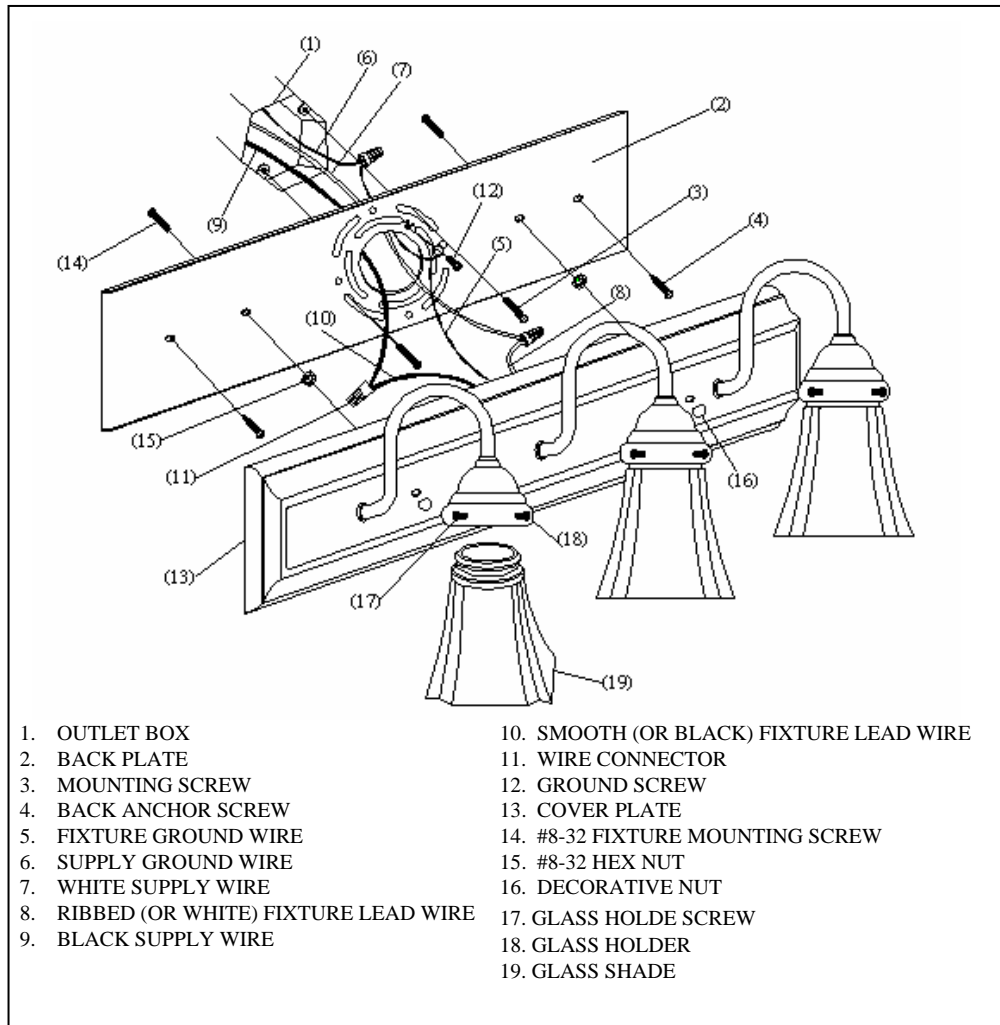
Remove the fixture and the mounting package from the box and make sure that no parts are missing by referencing the illustrations on the installation instructions.

ASSEMBLY AND INSTALLATION

1. At the center of the BACK PLATE (2) there are eight perforated slots. Knock out the set matches your OUTLET BOX (1).
2. Screw the #8-32 FIXTURE MOUNTING SCREWS (14) into the BACK PLATE (2) and thread the #8-32 HEX NUTS (15) onto the FIXTURE MOUNTING SCREWS (14), as shown. Secure the position of the FIXTURE MOUNTING SCREWS (14) by tightening the HEX NUTS (15) against the BACK PLATE (2).
3. Carefully pass the OUTLET BOX (1) wires and the SUPPLY GROUND WIRE (6) through hole in the center of the BACK PLATE (2). Secure the BACK PLATE (2) to the OUTLET BOX (1) with MOUNTING SCREWS (3).
4. It is advisable to anchor the BACK PLATE (2) to the wall by using the set of holes at each end of the BACK PLATE (2) and the BACK ANCHOR SCREWS (4) or your own wood screws, toggle bolts, plastic anchors, etc. (Screws not provided on all models.)
5. Attach the BLACK SUPPLY WIRE (9) to the SMOOTH (or BLACK) FIXTURE LEAD WIRE (10) by using the WIRE CONNECTOR (11). At the same manner, attach the WHITE SUPPLY WIRE (7) to the RIBBED (or WHITE) FIXTURE LEAD WIRE (8). Loop the FIXTURE GROUND WIRE (5) around the GROUND SCREW (12) of the BACK PLATE (2). (Note: Be sure to provide an extra 3" length of the FIXTURE GROUND WIRE (5) for connection to the SUPPLY GROUND WIRE (6).) Tighten the GROUND SCREW (12). Connect the remaining FIXTURE GROUND WIRE (5) to the SUPPLY GROUND WIRE (6) using a WIRE CONNECTOR (11) (not included). Place wiring and connections inside the OUTLET BOX (1).

6. Place the COVER PLATE (13) onto the FIXTURE MOUNTING SCREWS (14), and secure it into place using the DECORATIVE NUTS (16) provided.
7. Loosen the GLASS HOLDE SCREW (17) on the GLASS HOLDER (18). Then insert the GLASS SHADE (19) all the way into the GLASS HOLDER (18) and finger tighten the GLASS HOLDE SCREW (17) to hold the GLASS SHADE (19).
8. Screw light bulbs into the sockets and make sure they do not exceed the maximum wattage specified on the fixture's wattage rating label.

INSTALLATION IS NOW COMPLETED



ASSEMBLY & INSTALLATION INSTRUCTIONS

Please read carefully and save these instructions, as you may need them at a later date.

CAUTION

Turn off the main power at the circuit breaker before installing the fixture, in order to prevent possible shock.

GENERAL

All electrical connections must be in accordance with local and National Electrical Code (N.E.C.) standards. If you are unfamiliar with proper electrical wiring connections obtain the services of a qualified electrician.

Remove the fixture and the mounting package from the box and make sure that no parts are missing by referencing the illustrations on the installation instructions.

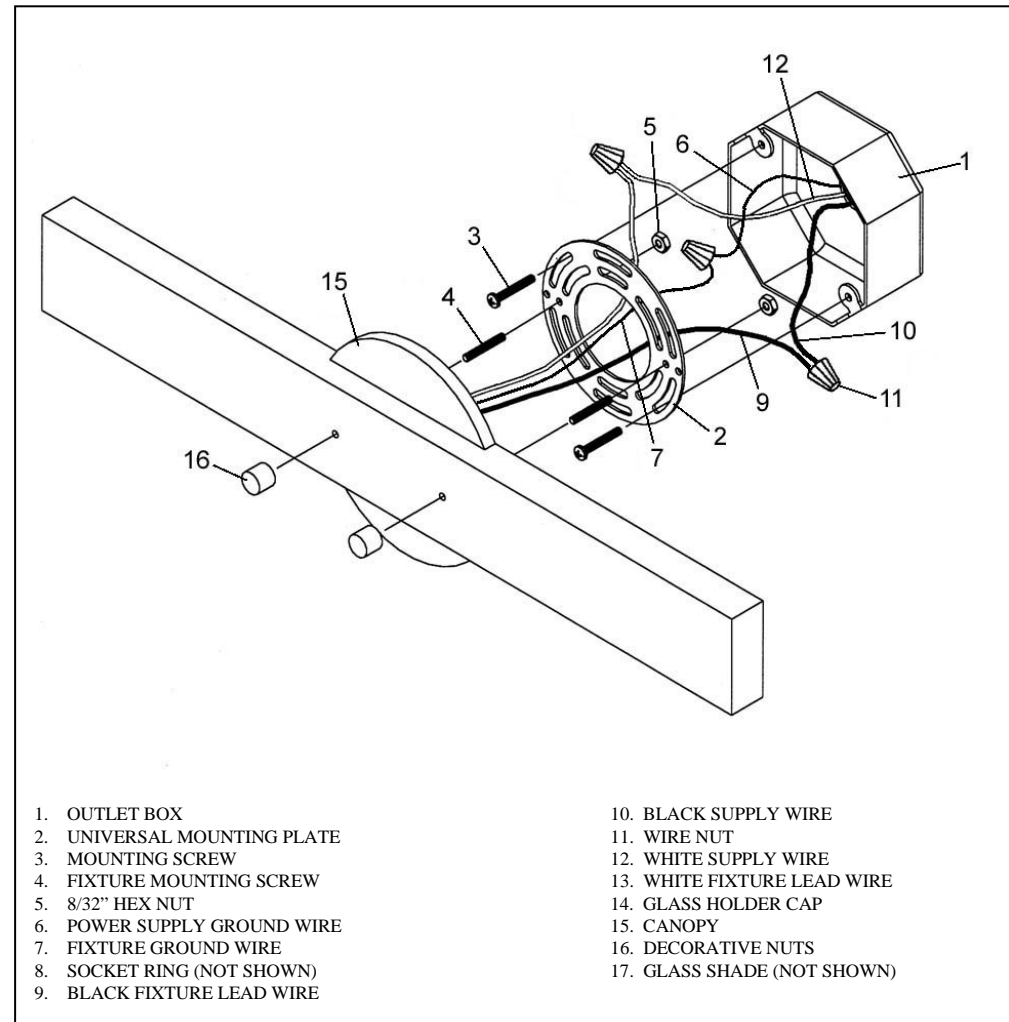
ASSEMBLY AND INSTALLATION

1. Place the #8-32 HEX NUTS (5) onto the #8-32 FIXTURE MOUNTING SCREWS (4), and attach the FIXTURE MOUNTING SCREWS (4) to the UNIVERSAL MOUNTING PLATE (2).
2. Pull the power supply wires out from the OUTLET BOX (1), and mount the UNIVERSAL MOUNTING PLATE (2) to the OUTLET BOX (1), using MOUNTING SCREWS (3).
3. Attach the power supply wires to the fixture lead wires by connecting BLACK (9) to BLACK (10), and WHITE (13) to WHITE (12) using the provided WIRE NUT (11). Attach the POWER SUPPLY GROUND WIRE (6) from the OUTLET BOX (1), and the FIXTURE GROUND WIRE (7) together using the correct size of WIRE NUT (11) (not included).
4. Place the CANOPY (15) back onto the FIXTURE MOUNTING SCREWS (4), and secure into place using the DECORATIVE NUTS (16) provided.

ASSEMBLY AND INSTALLATION (Continued)

5. Screw light bulbs into the threaded sockets and make sure they do not exceed the maximum wattage specified on the fixture's wattage rating label.
6. Install the GLASS SHADES (17).

INSTALLATION IS NOW COMPLETED



WALL MOUNT FIXTURE ASSEMBLY & INSTALLATION INSTRUCTIONS

Please read carefully and save these instructions, as you may need them at a later date.

CAUTION

Turn off the main power at the circuit breaker before installing the fixture, in order to prevent possible shock.

GENERAL

All electrical connections must be in accordance with local and National Electrical Code (N.E.C.) standards. If you are unfamiliar with proper electrical wiring connections obtain the services of a qualified electrician.

Remove the fixture and the mounting package from the box and make sure that no parts are missing by referencing the illustrations on the installation instructions.

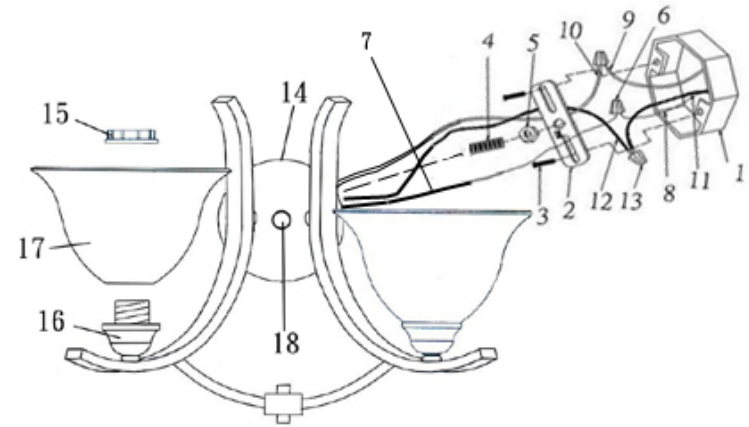
ASSEMBLY AND INSTALLATION

1. Thread the HEX NUT (5) onto the NIPPLE (4), and screw the NIPPLE (4) onto the MOUNTING BRACKET (2), without tightening the HEX NUT (5).
2. Pull the power supply wires out from the OUTLET BOX (1), and mount the MOUNTING BRACKET (2) to the OUTLET BOX (1), using MOUNTING SCREWS (3).
3. Place the CANOPY (14) of the fixture over the OUTLET BOX (1) and onto the NIPPLE (4), and adjust the NIPPLE (4) until it protrudes 1/4" out from the CANOPY (14). Remove the CANOPY (14) and secure the position of the NIPPLE (4) by tightening the HEX NUT (5) against the MOUNTING BRACKET (2).
4. Attach the BLACK SUPPLY WIRE (11) to the BLACK FIXTURE LEAD WIRE (12) by using the WIRE CONNECTOR (13). In the same manner, attach the WHITE SUPPLY WIRE (9) to the WHITE FIXTURE LEAD WIRE (10). Connect the FIXTURE GROUND WIRE (7) to the SUPPLY GROUND WIRE (8) using a WIRE CONNECTER (6) (not included).
5. Place the CANOPY (14) back onto the NIPPLE (4), and secure into place using the DECORATIVE NUT (18) provided.

ASSEMBLY AND INSTALLATION (Continued)

6. Slide the GLASS SHADE(17) over the threaded socket, and inside the GLASS HOLDER CAP(16). Screw the SOCKET RING(15) onto the threaded socket until the glass shade is tight.
7. Screw light bulbs into the threaded sockets and make sure they do not exceed the maximum wattage specified on the fixture's wattage rating label

INSTALLATION IS NOW COMPLETED



- | | |
|------------------------|-----------------------------|
| 1. OUTLET BOX | 10. WHITE FIXTURE LEAD WIRE |
| 2. MOUNTING BRACKET | 11. BLACK SUPPLY WIRE |
| 3. MOUNTING SCREW | 12. BLACK FIXTURE LEAD WIRE |
| 4. NIPPLE | 13. WIRE CONNECTOR |
| 5. HEX NUT | 14. CANOPY |
| 6. WIRE CONNECTOR | 15. SOCKET RING |
| 7. FIXTURE GROUND WIRE | 16. GLASS HOLDER CAP |
| 8. SUPPLY GROUND WIRE | 17. GLASS SHADE |
| 9. WHITE SUPPLY WIRE | 18. DECORATIVE NUT |

- Screw light bulbs into the lamp sockets and make sure they do not exceed the maximum wattage specified on the fixture's wattage rating label.

INSTALLATION IS NOW COMPLETED

WALL MOUNT FIXTURE INSTALLATION INSTRUCTIONS

Please read carefully and save these instructions, as you may need them at a later date.

CAUTION

Turn off the main power at the circuit breaker before installing the fixture, in order to prevent possible shock.

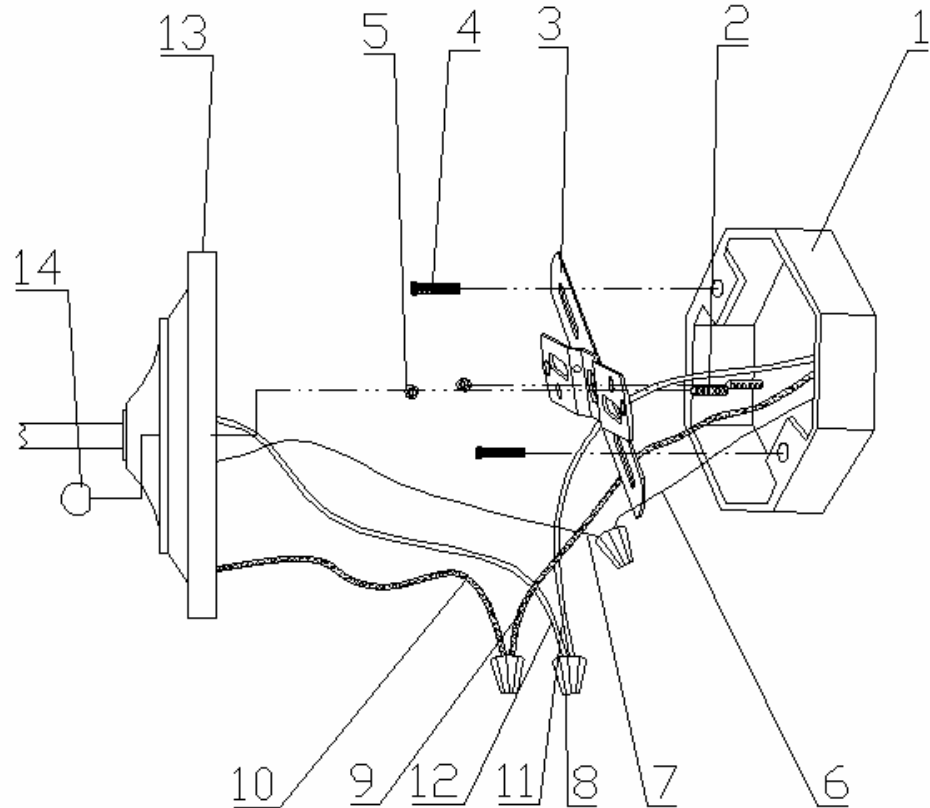
GENERAL

All electrical connections must be in accordance with local and National Electrical Code (N.E.C.) standards. If you are unfamiliar with proper electrical wiring connections obtain the services of a qualified electrician.

Remove the fixture and the mounting package from the box and make sure that no parts are missing by referencing the illustrations on the installation instructions.

ASSEMBLY AND INSTALLATION

- Attach the #8-32 FIXTURE MOUNTING SCREWS (2) to the MOUNTING BRACKET (3) and place the #8-32 HEX NUTS (5) onto the #8-32 FIXTURE MOUNTING SCREWS (2). Do not tighten the #8-32 HEX NUTS (5) at this time.
- Pull the power supply wires out from the OUTLET BOX (1), and mount the MOUNTING BRACKET (3) to the OUTLET BOX (1), using MOUNTING SCREWS (4).
- Attach the BLACK SUPPLY WIRE (9) to the BLACK FIXTURE WIRE (10) and the WHITE SUPPLY WIRE (11) to the WHITE FIXTURE WIRE (12) using WIRE NUTS (8). Connect the FIXTURE GROUND WIRE(7) to the POWER SUPPLY GROUND WIRE(6) using a WIRE NUT(8) (not included).
- Place the CANOPY (13) over the OUTLET BOX (1) and onto the #8-32 FIXTURE MOUNTING SCREWS (2), and adjust the #8-32 FIXTURE MOUNTING SCREWS (2) until they protrude out from the CANOPY(13) 1/4". Remove the CANOPY (13) and secure the position of the #8-32 FIXTURE MOUNTING SCREWS (2) by tightening the #8-32 HEX NUTS (5) against the MOUNTING BRACKET (3). Place the CANOPY (13) back onto the #8-32 FIXTURE MOUNTING SCREWS (2), and secure it into place using the DECORATIVE NUTS (14) provided.



- | | |
|---------------------------------|------------------------|
| 1. OUTLET BOX | 9. BLACK SUPPLY WIRE |
| 2. #8-32 FIXTURE MOUNTING SCREW | 10. BLACK FIXTURE WIRE |
| 3. MOUNTING BRACKET | 11. WHITE SUPPLY WIRE |
| 4. MOUNTING SCREW | 12. WHITE FIXTURE WIRE |
| 5. #8-32 HEX NUTS | 13. CANOPY |
| 6. POWER SUPPLY GROUND WIRE | 14. DECORATIVE NUT |
| 7. FIXTURE GROUND WIRE | |
| 8. WIRE NUT | |