

# INSTALLATION INSTRUCTIONS

For Model 7095-05

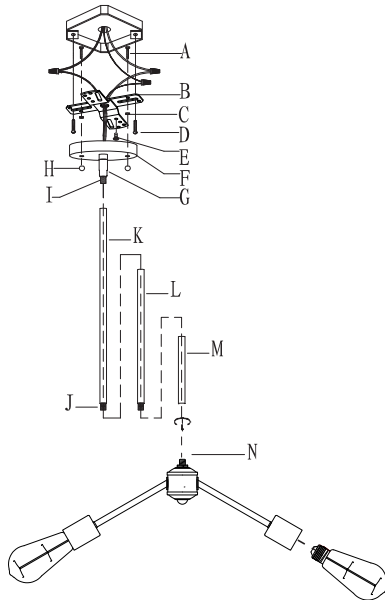
## READ AND SAVE THESE INSTRUCTIONS

These instructions are provided for your safety. It is very important that they are read carefully and completely before beginning installation of the lighting fixture. We strongly suggest that all direct wired fixtures be installed by a qualified, licensed electrician.

**WARNING! SHUT POWER OFF AT FUSE OR CIRCUIT BREAKER.**

**BEFORE INSTALLATION**

**AVERTISSEMENT! COUPER LE COURANT AU NIVEAU DES FUSIBLES OU DU DISJONCTEUR.**



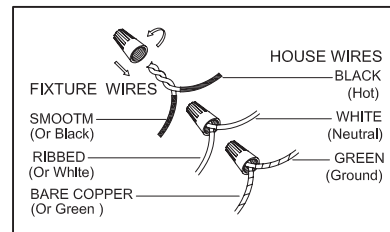
through the rods and pull the wires until taut before connecting the rods together. Thread bottom rod (M) onto nipple (N) on the fixture. Thread the nipple of the top rod onto swivel post (I) of canopy (F). Pull the fixture wires through the top of the canopy.

## CONNECTING THE WIRES

Have an assistant support the fixture's weight while completing the wiring. Attach the fixture's wires to the power supply wires from the junction box. Connect black to black (or smooth); white to white (or ribbed); ground to ground (green or copper). Twist the ends of the wire pairs together, then twist on a wire connector. Make sure all twists are in the same direction. If there is no ground wire (green or copper) from the junction box, locate ground screw (E) on crossbar (B) and wrap the fixture's ground wire around the green ground screw (E). Use screwdriver to secure ground screw (E) onto crossbar (B). Tuck all wires neatly into the junction box.

## PREPARING FOR INSTALLATION

Carefully remove all contents from the carton. See the important notes above. Shut off the power at the circuit breaker and completely remove the old fixture from the ceiling, including the old crossbar. Remove the crossbar assembly from the bag. Crossbar (B) contains several pairs of threaded holes. Find the pair of holes that matches the spacing of the holes on the junction box and the fixture's canopy. Two mounting screws (A) should be attached to crossbar (B). You may need to tighten nuts (C) to hold these screws in place. Pull the house wires through the center of crossbar (B). Place crossbar (B) over the junction box so that mounting screws (A) are vertical and aligned with the hole locations on the fixture's canopy (F). Secure crossbar (B) to the junction box by tightening the screws.



## ASSEMBLING THE FIXTURE

There are an 18 inch rod (K), a 12 inch rod (L), and a 6 inch rod (M) included for each fixture. Determine the correct number of rods needed for proper hanging height. To lengthen the fixture, add additional rods. If additional rods are needed, contact the place of purchase to order. To shorten the fixture, trim the wires to the desired length, leave at least 8 to 10 inches of wire in addition to the desired length and slide any excess rods off to discard. Keep in mind that you must use at least the provided 6 inch rod (M) to hang the fixture. Thread the wires

## FINISHING THE INSTALLATION

Push canopy (F) up to the ceiling and tighten the deco nuts (H) onto the exposed mounting screws (A).

Install light bulbs (not included) in accordance with the fixture's specifications. Do not exceed the recommended maximum wattage.

Your installation is now complete. Turn on the power and test the fixture.

## CLEANING TIPS

Treat the fixture gently! Regular cleaning will reduce the need for deep cleaning. For regular cleaning, turn off the light and wipe down the fixture with a clean lint-free cotton or microfiber cloth. Never spray cleaner directly onto the fixture.