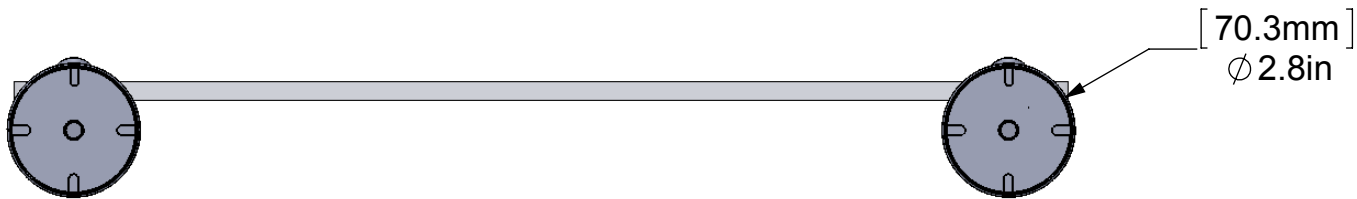
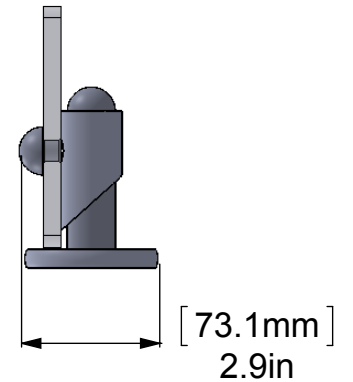
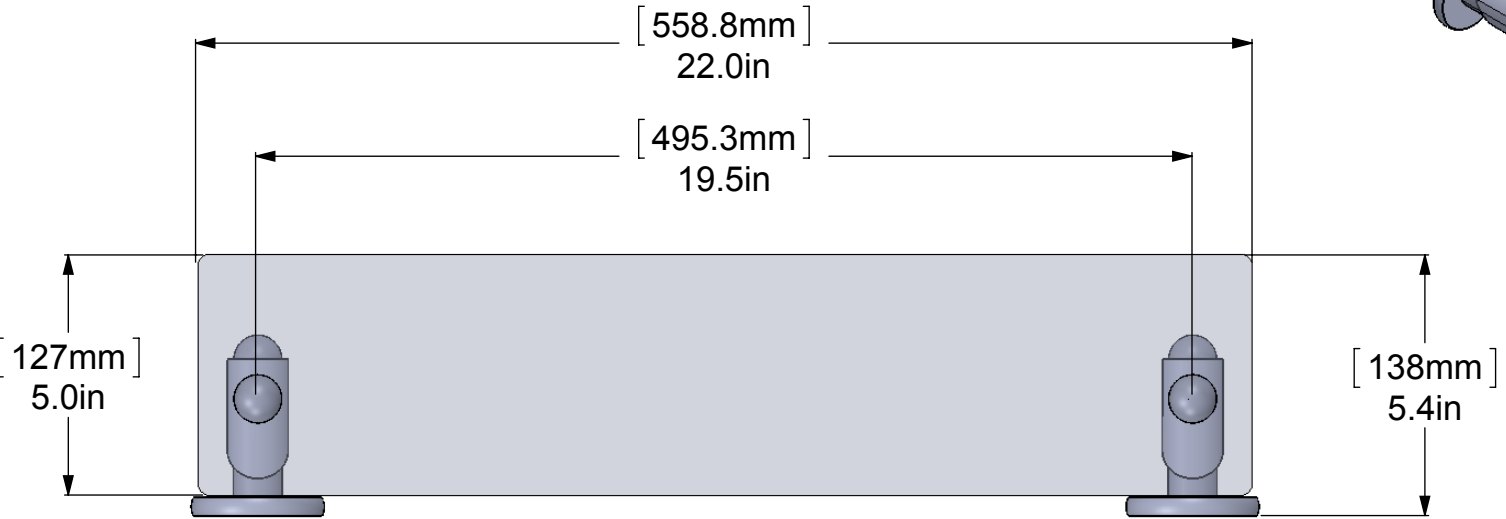
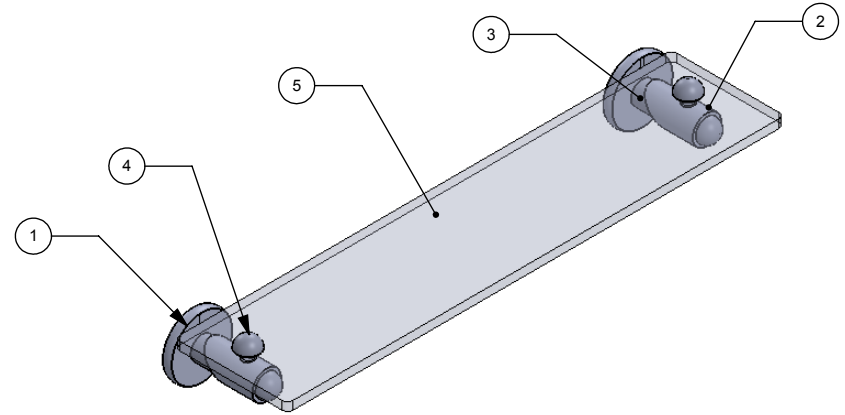


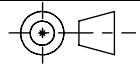
ITEM NO.	P/N	Description	QTY.
1	BPRD	BACKPLATE	2
2	BKSVT	SUPPORT POST	2
3	TU12-2	TUBE	2
4	CAHR-1	END CAP	4
5	GLRT-22	GLASS	1




UNLESS OTHERWISE STATED

.X	±.3mm
.XX	±.15mm
.XXX	±.008mm

COPYRIGHT © Allied Brass 2016



THIRD ANGLE PROJECTION

DRAWN	12/9/2016	I.M	MATERIAL:	BRASS		FINISH	TBD
CHECKED	12/9/2016	P.D	DESCRIPTION:	SHELF		QUANTITY	TBD
APPROVED	12/9/2016	R.A	DRAWING No.			SH-1-22	REV
SCALE		1:4	SHEET: 01		A4		