

Features

- 17-gauge brass construction
- Brass tailpiece
- For use with Artifacts™ freestanding baths
- Includes brass tee, pipe, and pop-up drain

Material

- KOHLER finishes resist corrosion and tarnishing

Installation

- Above- or through-the-floor

Recommended Products/Accessories

- K-21000-B 66-1/8" x 32-1/2" freestanding bath
- K-21000-P5 66-1/8" x 32-1/2" freestanding bath
- K-21000-W 66-1/8" x 32-1/2" freestanding bath
- K-23726 Drain treatment



Codes/Standards

ASME A112.18.2/CSA B125.2

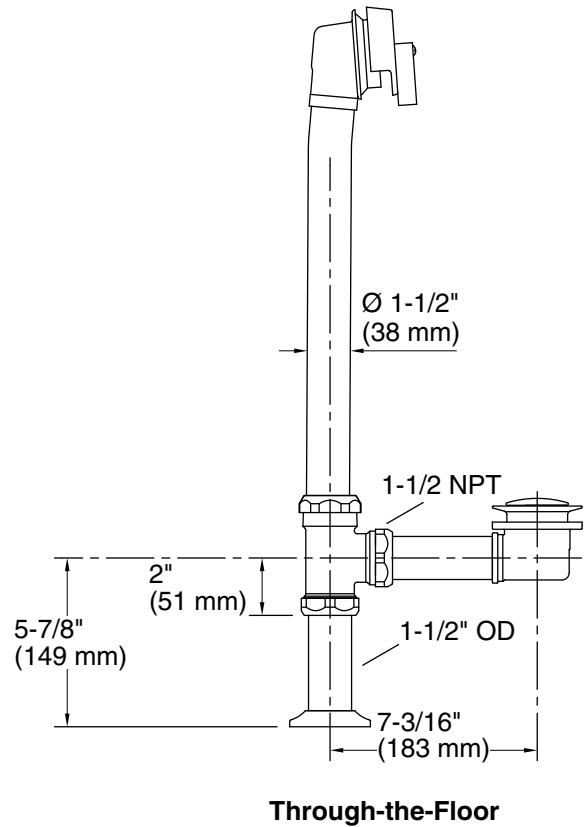
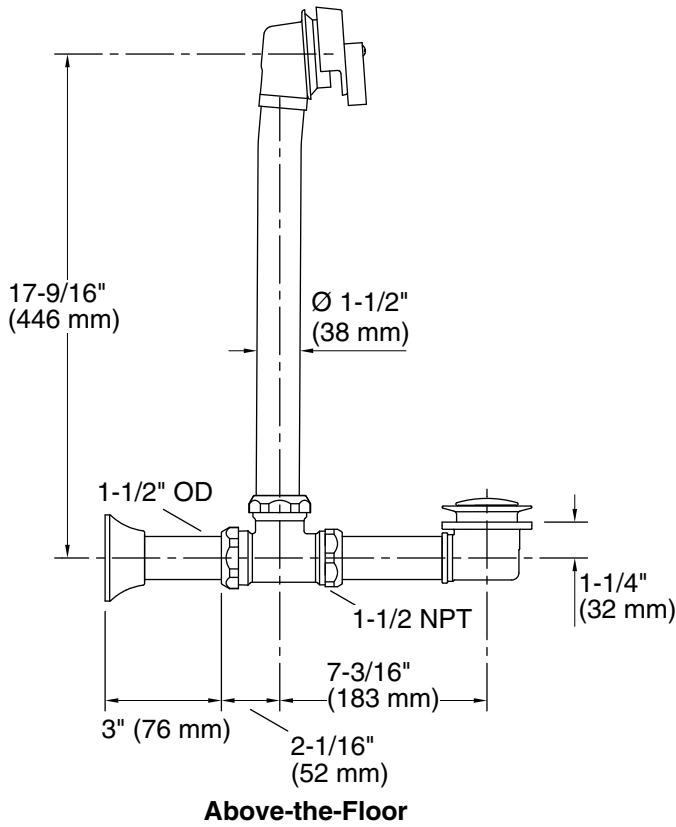
KOHLER® One-Year Limited Warranty

See website for detailed warranty information.

Available Colors/Finishes

Color tiles intended for reference only.

Color	Code	Description
	CP	Polished Chrome
	SN	Vibrant® Polished Nickel
	AF	Vibrant® French Gold
	BN	Vibrant® Brushed Nickel
	BV	Vibrant® Brushed Bronze
	BL	Matte Black
	2MB	Vibrant® Brushed Moderne Brass
	DR	Deep Bronze



Technical Information

All product dimensions are nominal.

Material: Brass

Notes

Install this product according to the installation instructions.