



OUTDOOR TABLETOP PATIO HEATER

Read assembly instructions carefully and follow the care instructions.
Save this document for future reference.

Assemble components on a soft, clean surface to avoid scratching
or damaging the finish.

WARNING:

Read and understand this entire manual, including all safety information, before using this product. Failure to do so could result in fire, serious personal injury, or death.



WARNING!

Manufacturer and seller expressly disclaim any and all liability from personal injury, property damage or loss, whether direct or indirect, or incidental, resulting from the incorrect attachment, improper use, inadequate maintenance, or neglect of this product.

Table of Contents

Important Safety Information	2-4
Preparation	5
Assembly	6-8
Operation	9-11
Specifications	11
Maintenance	12
Cleaning.....	13
Troubleshooting	14

IMPORTANT SAFETY INFORMATION



DANGER

If you smell gas:

1. Shut off gas to the appliance.
2. Extinguish any open flame.
3. If odor continues, keep away from the appliance and immediately call your gas supplier or fire department.



DANGER

Do not store or use gasoline or other flammable vapors and liquids in the vicinity of this or any other appliance.

An LP-cylinder not connected for use shall not be stored in the vicinity of this or any other appliance.



WARNING: For Outdoor Use Only.



WARNING: NEVER use indoors, in an enclosed area or below ground level.



WARNING: This appliance is intended for use with LP bottled gas only.



WARNING: Improper installation, adjustment, alteration, service or maintenance can cause property damage, injury or death. Read the installation, operating and maintenance instructions thoroughly before installing or servicing this equipment.



WARNING: Failure to read and follow these instructions could result in serious injury or damage to property.



WARNING: DO NOT move this product when in use.



WARNING: Any modification of this appliance may be dangerous.



WARNING: Do not use heater where reflector is within 32 in. (0.8 m) of any flammable structure or surface.



WARNING: Never operate the heater while it is covered.



WARNING: DO NOT leave this product unattended when in use.



WARNING: Always keep the cylinder level and vertical when positioning inside the base.

⚠ IMPORTANT SAFETY INFORMATION ⚠



WARNING: Only use this appliance on a flat LEVEL non-flammable surface or ground.



WARNING: When positioning, ensure the unit is a minimum of 36 in. (0.9 m) from flammable items or structure from all sides and above.



WARNING: Always leak test the unit before use, annually, or after storage, when parts are replaced/serviced or if the gas cylinder is removed or replaced.



WARNING: When storing the appliance or gas cylinder, ensure they are away from flammable materials or liquids.



WARNING: Regularly check that the regulator seal and hose is fitted and that it is in good condition. Replace parts if necessary.



WARNING: Always follow the care and maintenance instructions – regularly maintain your appliance.



WARNING: Always replace worn parts – do not use the appliance if a leak, wear, or damage is found.



WARNING: DO NOT store or cover the appliance until fully cooled.



WARNING: Always shut off the valve at the gas cylinder or the regulator before moving the appliance.



WARNING: In the event of high winds particular attention must be taken. Store the unit away or ensure it is at a safe distance from other items in the event that the unit is blown over.



WARNING: Only use within structures specifically designed to be used with patio heaters.



WARNING: It is normal for the heater to smoke during the first few minutes of use.



WARNING: In the event of an uncontrollable fire, if possible, immediately disconnect the gas cylinder, move it away from the fire and contact the fire department. DO NOT PUT YOURSELF AT RISK!



WARNING: Ensure aerosols are not used near this unit when in use.



WARNING: Ensure the heater is at a safe distance from glass and PVC doors and windows to prevent damage from any heat build-up.



WARNING: Read the warnings and use instructions before operation.



WARNING: Do not leave the heat focusing reflector of the patio heater in the tilt position during rain or windy conditions or when the patio heater is not in use or unattended. Always position the heat-focusing reflector in the full down position when not in use or during windy or rainy conditions.



WARNING: This appliance features a flame failure and tilt device. In the event of a wind blowing the flame out or the unit being tipped over, the gas supply will be cut off from the cylinder. In this event, the knobs should be turned off, and you should wait 5 minutes before re-lighting.



WARNING: This product will become hot when in use – take care when touching.



WARNING: Keep children and pets at a safe distance from the unit when in use.



WARNING: Not using manufacturer-supplied or approved parts/accessories may result in a defective condition and void the warranty of this heating unit.



NOTE: THESE INSTRUCTIONS ARE FOR YOUR SAFETY. PLEASE READ THEM THOROUGHLY BEFORE USE AND RETAIN THEM FOR FUTURE REFERENCE.

⚠ IMPORTANT SAFETY INFORMATION ⚠

We cannot foresee every use in which this patio heater may be used. **Check with your local fire safety authority if you have questions about propane fire pit use.**

Only use the regulator assembly provided with this unit.

Inspect the burner before each use. If the burner shows any damage, do not operate the appliance.

NOTE: You must follow all steps to assemble this heating item properly. Make sure the control knob is turned "OFF" before assembling. Do NOT attempt to assemble without proper tools.

⚠ Propane Gas: Propane gas is odorless. An odor-making agent is added to propane gas. The odor helps you detect a propane gas leak. However, the odor added to propane gas can fade. Propane gas may be present even though no odor exists.

⚠ Carbon Monoxide Poisoning: Early signs of carbon monoxide poisoning resemble the flu with headache, dizziness and/or nausea. If you have these signs, the heater may not be working properly. Get fresh air at once! Check for proper ventilation and have the heater serviced.

⚠ Install in a safe location

This appliance is for outdoor use only.

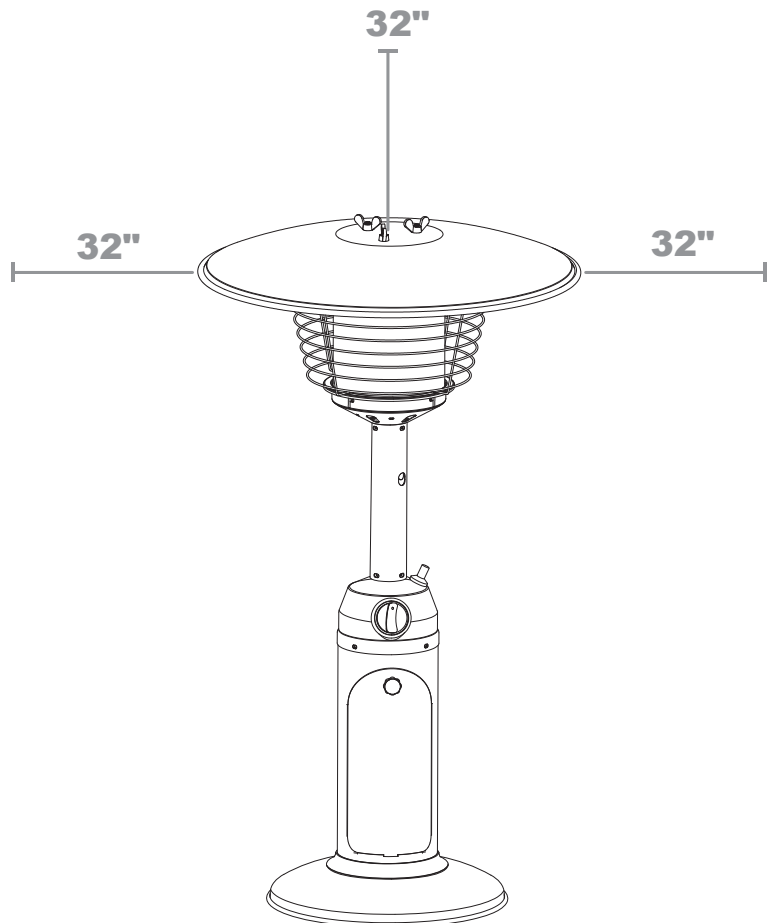
Do not use indoors or in an enclosed area.

Always maintain adequate clearance from combustible materials.

Minimum clearance on each side: 32"

Minimum clearance above: 32"

Read and understand all Important Safety Information for warnings about safe placement, safe installation, and proper use of this product.



⚠ WARNING

Read and understand this entire manual, including all safety information, before using this product. Failure to do so could result in fire, serious personal injury, or property damage.

Preparation

Before beginning assembly, compare all parts with the Parts and Hardware lists. Be sure you have all the parts and can identify them. A helping hand is always good. Assemble the patio heater with an adult assistant.

Use scissors to remove packaging from the parts. Do not use a box cutter as doing so may cut into the heater and damage the finish. Do not discard any pieces. Use the appropriate tools to tighten all hardware.

Dispose of packaging materials properly. Please recycle whenever possible.



WARNING: While every precaution has been made in the manufacture of this product, care must be taken during assembly in case sharp edges are present.



NOTE: Break down the packing carton to use as a protective assembly surface.



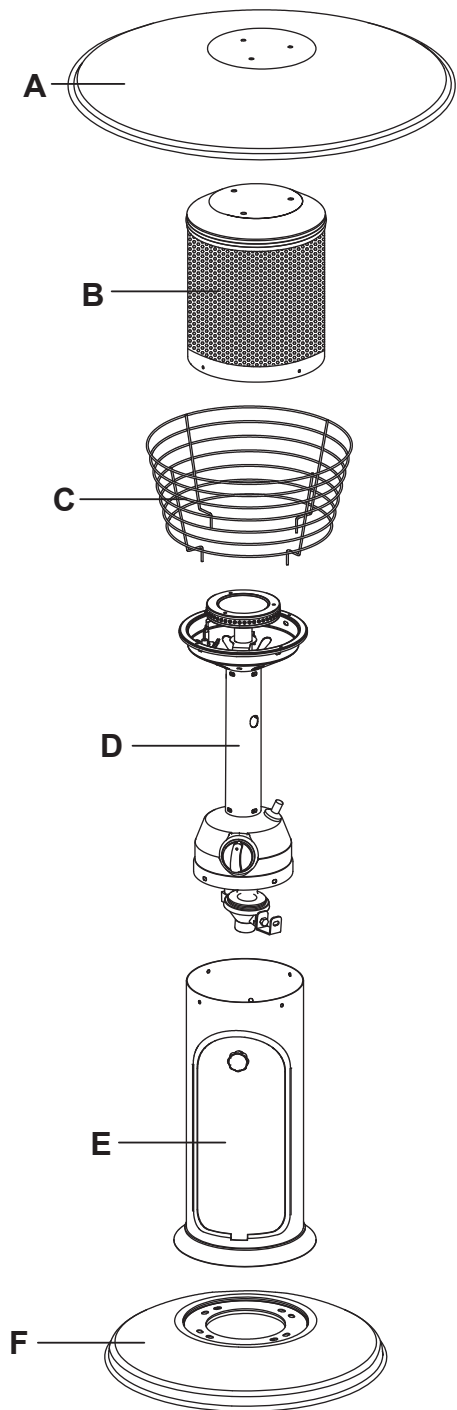
NOTE: Please lay out all nuts and bolts and check lengths before assembly.










NOTE: Refer to the assembly diagrams as necessary.



Inspect packaging to ensure all parts are accounted for before disposing of packing materials.



No.	PARTS	QTY.
A	Reflector	1
B	Burner Screen	1
C	Mesh Guard	1
D	Burner	1
E	Tank Housing	1
F	Base	1

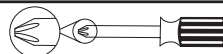
No.	HARDWARE	QTY.
AA	 M6x65mm Reflector Stud	3
BB	 M6 Wing Nut	3
CC	 M5x12mm Bolt	1
DD	 M5 Nut	1
EE	 M6 Washer	6
FF	 Spanner	1
GG	 M6 Nut	3



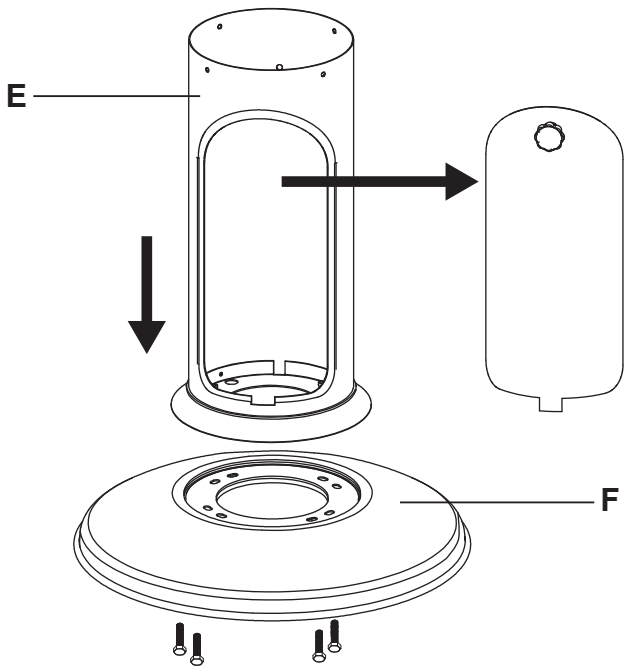
WARNING

CHOKING HAZARD — This item contains small parts that can be swallowed. Keep children away during assembly.

TOOLS REQUIRED (not included)



Phillips Screwdriver

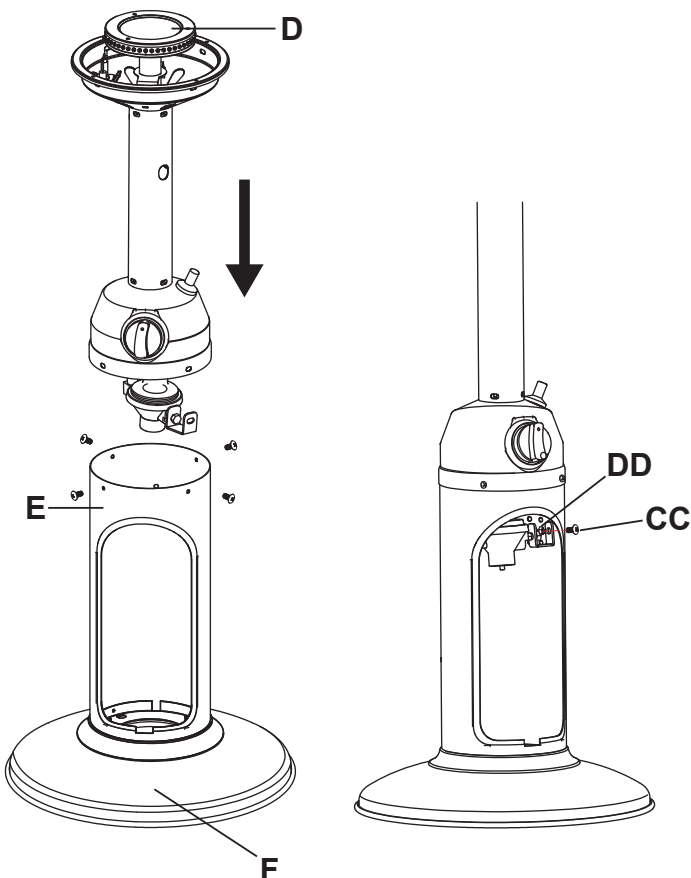


1 Attach tank to housing base

Remove the tank door from the tank housing by rotating the handle.

Unscrew four M5x25mm bolts that are preassembled on Tank Housing (E).

Align Base (F) with Tank Housing (E). Then, use the four M5x25mm bolts to attach the base to the tank housing.

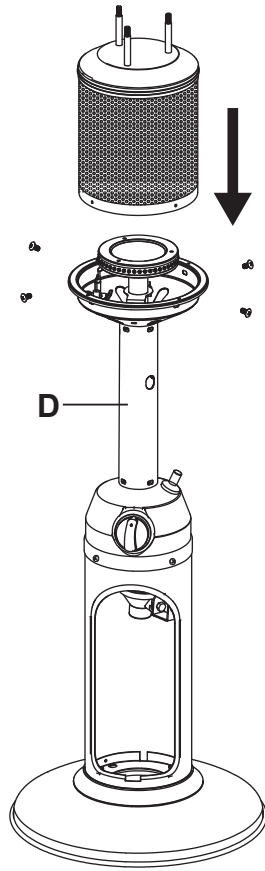
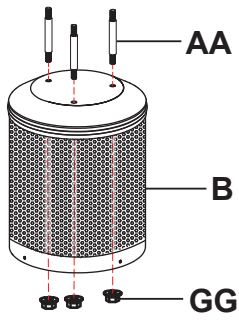


2 Attach burner to tank housing

Unscrew four 3/16" bolts that are preassembled on tank housing (E).

Align Burner (D) on Tank Housing (E) and affix them with the four 3/16" bolts.

Use M5x12 bolt (CC) and M5 nut (DD) to affix the regulator to the tank housing.

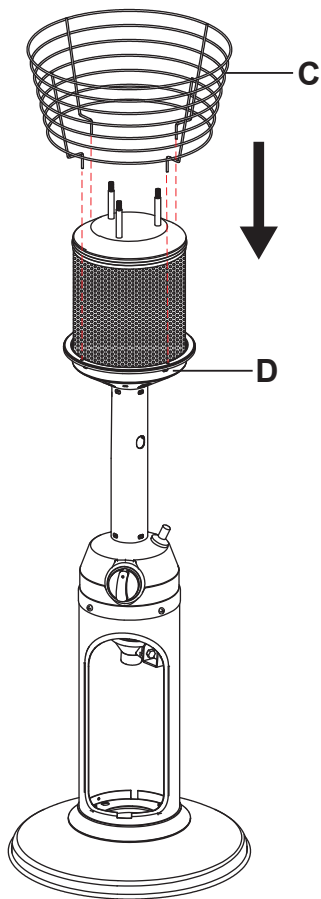


3 Assemble the burner screen

Screw three M6x65mm Reflector Studs (AA) into the top of Burner Screen (B). Use three M6 Nuts (GG) to securely fasten the reflector studs, as shown.

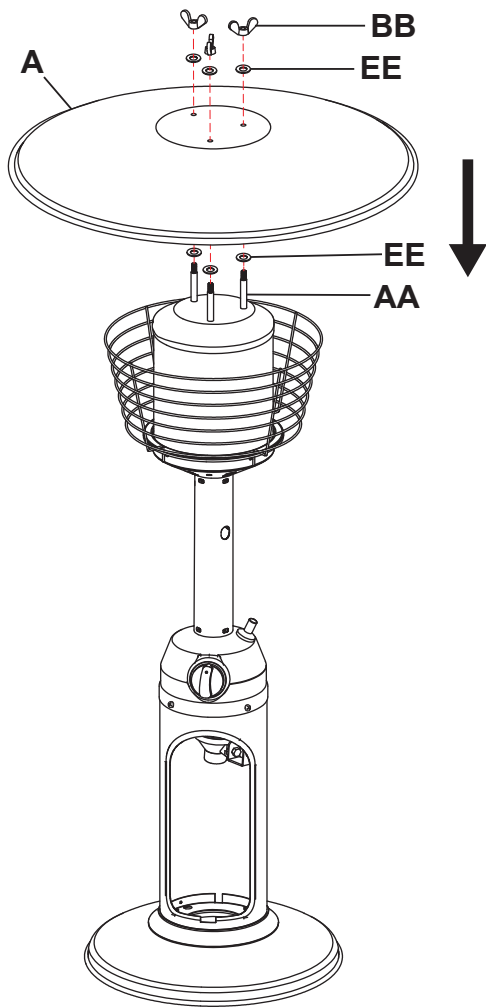
Unscrew the four 3/16" bolts that are preassembled on Burner (D).

Align Burner Screen (B) on Burner (D) and affix them using the four 3/16" bolts.



4 Attach mesh guard to burner assembly

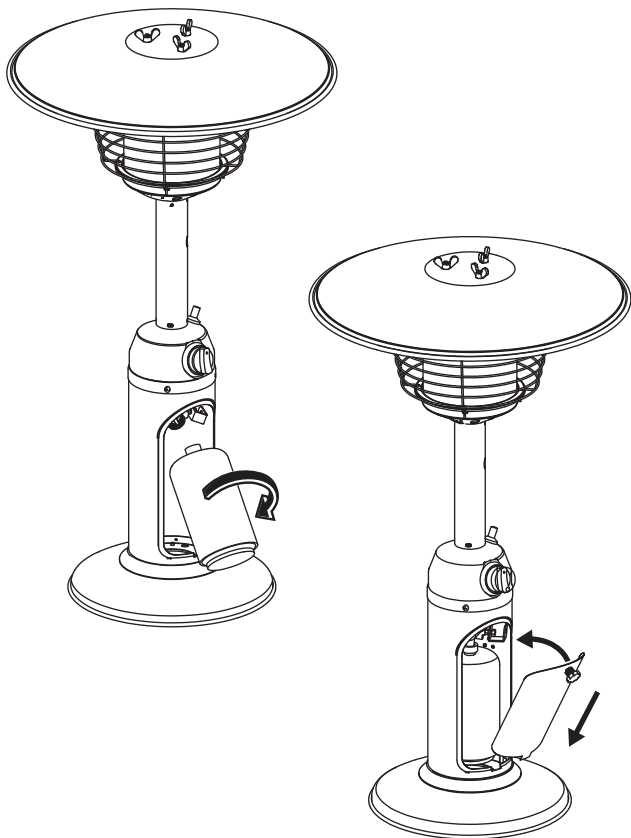
Put Mesh Guard (C) over the burner screen and into the top of Burner (D).



5 Attach the reflector

Place the three Washers (EE) onto the Reflector Studs (AA).

Place the reflector (A) on the top of reflector stud. Tighten the reflector (A) with the washers (EE) and the wing nuts (BB).



6 Attach propane cylinder

Ensure the control knob on the burner is turned to the 'OFF' position.

Connect a 1-lb gas tank (not included) to regulator by rotating the tank clockwise until the tank is tightly connected to the regulator.

Place the bottom of the tank housing door into the notch in the tank housing, close the door and lock it by rotating the handle 90 degrees.

Operation

⚠️ WARNING: Before using this outdoor patio heater, make sure you read, understand, and closely follow all information provided in the Safety Information section of this manual. Failure to follow safety instructions may result in property damage, serious injury, or death.

Only persons who can understand and follow the instructions should operate this unit.

Follow all local codes when using this heater.

BEFORE TURNING GAS SUPPLY ON

DO NOT operate this unit until you have read and understand this manual in its entirety.

1. For outdoor use only. Never use this unit in an enclosed area.
2. Make sure surrounding areas are free of combustible materials as well as flammable liquids and vapors.
3. Ensure all gas connections are tight and there are no leaks before each use.
4. This heater is designed to house the propane tank during operation only. Do not store the propane tank inside the unit when it is not in use.

LEAK TESTING

Always perform a leak test before lighting the heater. Leak tests should be performed in a spacious outdoor area where no open flames or sparks can accidentally ignite the propane gas.

Do not smoke while testing for gas leaks. Never use a lighter or flame to check for gas leaks.

To check the connection at the gas hose/regulator/cylinder:

1. Make a leak check solution by mixing 50% dish soap with 50% water.
2. Confirm all control knobs on the heater are turned to the "OFF" position.
3. With a brush or spray bottle, apply the soap solution over the gas connections.
4. Press and turn the control knob; if bubbles occur on any connection, there is a leak. **If you smell gas or a leak is discovered, turn the gas valve off, disconnect the propane tank, and do not use the heater until the leak is repaired.**
5. Repeat the test until no further leaks are found.
6. Test frequently. Always perform a leak test when propane tanks are replaced.

⚠️ Propane Gas: Propane gas is odorless. An odor-making agent is added to propane gas. The odor helps you detect a propane gas leak. However, the odor added to propane gas can fade. Propane gas may be present even though no odor exists.

⚠️ Carbon Monoxide Poisoning: Early signs of carbon monoxide poisoning resemble the flu with headache, dizziness and/or nausea. If you have these signs, the heater may not be working properly. Get fresh air at once! Check for proper ventilation and have the heater serviced.

GAS AND REGULATOR

DO NOT operate this unit until you have read and understand this manual in its entirety.


- The gas hose must be connected in accordance with these instructions. When installed correctly, all parts of the hose should be contained within the patio heater pole and gas cylinder chamber. No part of the hose should be outside of the patio heater body where it could be a trip hazard or accidentally damaged.
- Refer to the instructions supplied for correct use and attachment of the propane tank.
- This appliance is equipped for propane use only.
- Never store a propane cylinder on its side.
- Never store propane cylinders indoors.
- The supplied propane regulator must only be used with a propane gas cylinder.
- NEVER use an adjustable regulator with this appliance.
- Consult your gas dealer for the most suitable propane cylinder for your regulator.


INSPECT

This outdoor patio heater must be inspected regularly to ensure that the product is safe to use and to help extend the life of the product.

 WARNING: DO NOT inspect this outdoor patio heater while it is in use or while the unit is hot.

1. Check the burner to make sure it is securely in place and that there is no excessive damage or wear.
2. Check the head assembly to make sure it is clear and free of insects, spider nests, and other debris.
3. Check all gas connections for leaks.
4. Check components for any signs of damage, rust or excessive wear.
5. When applicable, inspect the hose assembly for evidence of excessive abrasion, cuts or wear. If the hose is damaged, it must be replaced before the heater can be used.
6. If damage to any component is detected, DO NOT operate until the proper repairs have been made.

 WARNING: DO NOT tamper with this unit; this is dangerous and will void the warranty. All repairs and maintenance must be performed by a certified technician.

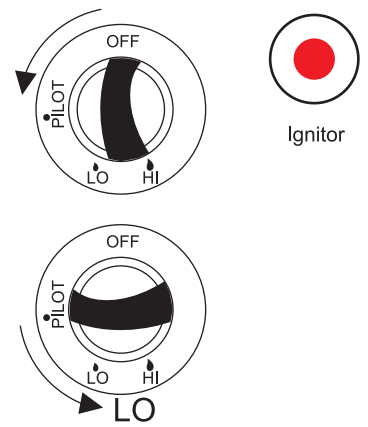
 WARNING: Fire, burn, inhalation and explosion hazard. Keep solid combustibles, such as building materials, paper or cardboard, a safe distance away from the heater. Never use the heater in spaces that do or may contain volatile or airborne combustibles or products such as gasoline, solvents, paint thinner, dust particles or unknown chemicals.

NOTICE

Keep this owner's manual for future reference. If you sell or give this product away, make sure this manual accompanies this product.

TO START THE HEATER

1. Turn on the valve on the gas supply cylinder.
2. Press and turn the variable control knob to the 'PILOT' position.
3. Press down the variable control knob and hold for 30 seconds.
4. While holding down on the variable control knob, press the igniter button until the burner head flame ignites. Release the variable control knob 10 seconds after the ignition.
5. Turn the variable control knob to the 'LO' position for 5 minutes or more before turning the knob to the desired temperature setting. If a small flame is preferred, keep the variable control knob in the 'LO' position.
6. If the burner flame goes out accidentally or it is blown out by the wind, turn off the heater and wait at least 5 minutes or more to let the gas dissipate before lighting again to avoid possible gas explosion—repeat steps 2 through 4.



⚠ WARNING: If burner flame goes out during operation, immediately turn the control knob OFF and let the gas clear for at least 5 minutes before attempting to re-light the heater. Wait longer if you still smell gas.

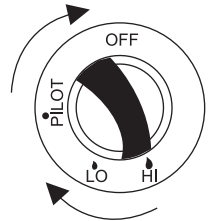
NOTICE

When lit for the first time, the heater may emit a slight odor and smoke – this is a normal and temporary condition. The emitter screen will become a bright red due to the heat. The color is more visible at night. Flame patterns should be a blue flame; these flames should not be yellow; indicating an airflow obstruction through the burners.

⚠ WARNING: NEVER move the unit while the heater is operating. Turn the unit off, close the supply valve on the propane gas cylinder, and wait for the unit to completely cool before moving.

TO STOP THE HEATER

1. Turn the control knob to the 'ON' position.
2. Press and turn the control knob to the 'OFF' position.
3. After the tank housing is completely cooled, disconnect the propane cylinder.



Specifications

BTU's per/hour	11,000
Gas Consumption per/hour	0.45 lbs
Injector Size	0.039 in.
Setting Pressure	11.0 in. per W.C.
Regulator Outlet Pressure	11.0 in. per W.C.
Gas Supply Pressure	150 PSI maximum, 5 PSI minimum
Standard	ANSI Z83.26-2014 Gas Fired Outdoor Infrared Patio Heaters

Maintenance

FLAME CHARACTERISTICS

- The flame pattern at the burner mesh should be visually checked whenever the heater is operated.
- Normally, the burner flame is blue with a yellow flame at the top. The burner mesh will become red hot.
- Turn the heater off immediately if flames extend beyond the surface of the burner mesh, or there is the phenomenon of flame lift or light back, or a black spot is accumulating on the burner mesh or reflector. The heater should not be operated again until the unit is serviced or repaired.



Yellow Tip

Primary Blue Flame

BASIC USE & CARE

- Always disconnect the propane gas tank before performing any maintenance.
- Keep the heater at a safe distance from combustible materials.
- Visually inspect burner for obstructions and keep tank enclosure free and clear from debris. Use a soft brush to remove mild stains, loose dirt, and soil after the burner is completely cooled down. Wipe down with a soft cloth.
- Harsh weather conditions may cause stubborn stains, discoloration, and possibly rust pitting.
- Permanent damage may occur if powder or solvent cleaners come in contact with painted and plastic components on this heating unit.
- Keep the heating unit stored away from direct sunlight.
- If storing this unit inside, disconnect the propane gas tank from the gas valve.
- Not using manufacturer-supplied or approved parts/accessories may result in a defective condition and void the warranty of this heating unit.
- Protect the unit by covering it when not in use; cover not included.
- Regularly checked and tightened all screws and bolts.

STORAGE

- Do not leave the heater exposed to outside weather conditions or store it in damp, moist conditions.
- Wait until the heater has had ample time to completely cool before moving or covering. Do not touch hot surfaces for hours after the unit has been extinguished. If the unit still feels hot, wait until it is completely cooled.
- Cover the heater to help protect it from weather elements as well as dust/debris build-up; cover not included.
- To save space during long-term storage, the reflector can be removed. Take care to ensure the shape of the reflector is not damaged or deformed, as this will affect heater performance.
- If the reflector was detached for storage, reattach it before using the heater again. Never operate the heater without the reflector in place.
- When stored indoors, the propane gas cylinder must be disconnected and stored away from the heater.
- Store propane tank(s) in accordance with local laws and regulations.
- Do not let children tamper with the heater or the propane gas cylinder.


SERVICE

- We recommend this appliance be serviced annually or after every 100 hours of use, whichever happens first.
- A qualified technician must carry out all servicing work.
- If your heater needs maintenance or is not working properly, please get in touch with your local authorized agent for replacement parts and/or servicing.

Any modification to the product or failure to follow recommended care will void the product warranty.

Cleaning

This unit should be cleaned regularly to ensure safe use and extended product life. **Never douse the heater with water if its surfaces are hot.**

 **NOTE:** After repeated use, discoloration of the finishes may occur.

 **DO NOT CLEAN WHILE THE UNIT IS HOT! Do not touch hot surfaces for hours after the unit has been extinguished. If the unit still feels hot, wait until it is completely cooled.**

WARNING

DO NOT use oven cleaner, solvents, or abrasive cleaners as they will damage the product. **ALWAYS** disconnect and remove the propane tank before cleaning the unit.

1. Before cleaning, ensure the heater is completely cool.
2. Check that the heater control is turned fully to the 'OFF' position.
3. Ensure the gas supply is shut off at the regulator or cylinder valve (when applicable).
4. Disconnect the cylinder and place it away from the heater.
5. Check the burn tube to make sure it is clear and free of insects, spider nests, and other debris.
6. Use a soft, damp cloth to wipe down the outer surfaces of the heater.
7. Take care when washing the head assembly. Avoid getting water or cleaning solutions inside the unit. **Do not get the burner mesh/webbing wet.**
8. Use a dry, soft cloth to dry the unit, if necessary.

 **DO NOT ALLOW WATER OR CLEANERS TO GET INSIDE THE UNIT!** 

Contact with water and cleaning solutions may damage the head assembly, ignition system, and other internal components. Use extreme caution to avoid these areas when cleaning the unit.

Any modification to the product or failure to follow recommended care will void the product warranty.

NOTICE

Keep this owner's manual for future reference. If you sell or give this product away, make sure this manual accompanies this product.

Troubleshooting

PROBLEM	POSSIBLE CAUSE	POSSIBLE SOLUTION
The burner will not light.	The burner injector is clogged.	Clean the burner injector.
	There is low gas supply pressure.	Call your gas supplier.
The burner flame goes off immediately after ignition.	There is low gas pressure.	Call your gas supplier.
The ignition is delayed.	The main burner carryover ports are clogged.	Clean the main burner ports.
	There is low gas pressure.	Call your gas supplier.
The combustion on the burner is inadequate.	There is not enough air.	Check the air passageways and burners for dirt and debris, and clean with compressed air.
The burner flame is low.	The supply hose is bent or twisted.	Straighten the hose and perform a leak test.
	There is a blockage in the burner injector.	Clean or replace the burner injector.
The emitter glows unevenly.	There is a blockage in the burner injector.	Clean or replace the burner injector.
	The base is not on a level surface.	Place the heater on a level surface.
	The gas pressure is low.	Replace the cylinder with a new cylinder.
There is slight smoke and odor during initial operation.	This is residue from the manufacturing process.	This will stop after approximately 30 minutes of operation.
There is thick black smoke.	There is a blockage in the burner.	Turn off the heater and let it cool Remove the blockage and clean the inside and outside of the burner.
The heater produces a whistling noise when the burner is lit.	Air passageways are blocked.	Check the minimum installation clearances and air passageways for debris.
	There is air in the gas line.	Operate the burner until the air is completely purged.
The heater produces a clicking noise just after the burner is lit or turned off.	The metal is expanding and contracting.	This is common with heaters. If noise is excessive, contact a qualified service person.
There is a gas odor even when the control knob is in the OFF position.	There is a gas leak.	Locate and correct the leak immediately.
	The gas control is defective.	Replace the gas control.
There is a gas odor during combustion.	There is foreign matter in the gas or on the burner ports.	Check the gas passageway and burner.
	The heater is burning vapors from paint or impurities in the air.	Stop storing and using odor-causing products near the heater.
	There is gas leaking from the regulator and hose connection, the valve and pipe connections, and the pipes.	Locate and correct the leaks, or contact your gas supplier.
There is carbon build-up.	There is dirt or film on the reflector and flame screen.	Clean the reflector and flame screen.

WARNING!

Manufacturer and seller expressly disclaim any and all liability from personal injury, property damage or loss, whether direct or indirect, or incidental, resulting from the incorrect attachment, improper use, inadequate maintenance, or neglect of this product.