

(MH-TB-829)



ASSEMBLY INSTRUCTIONS

Do not throw away the packaging material until the assembly is complete.
To protect finish, assemble this item on a soft surface such as a cardboard or a carpet.

Until all parts are in place, do not fully tighten all the bolts.

Note - While assembling the product, first tighten the screws up to 50%. Once all parts are in place, only then fully tighten the screws!

CARE INSTRUCTIONS

Wipe only with a soft & dry cloth.

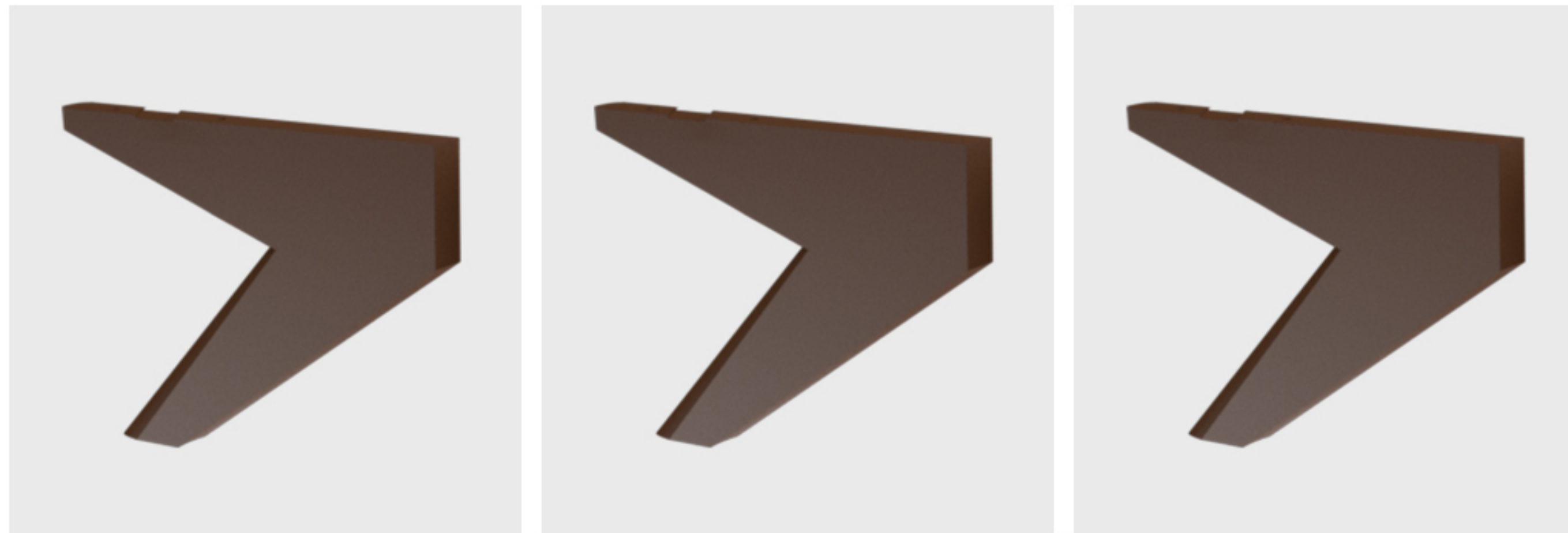
To protect finish, avoid the use of chemicals and household cleaners.

Any liquid spilled on the furniture should be cleaned up immediately with a damp cloth.

PRODUCT PARTS



A
TABLE TOP



B
TABLE LEGS

HARDWARE PROVIDED



C
BOLT
M8x90mm 3X



D
BOLT
M8x40mm 3X



E
FLAT WASHER
ø20 x ø8mm 06x



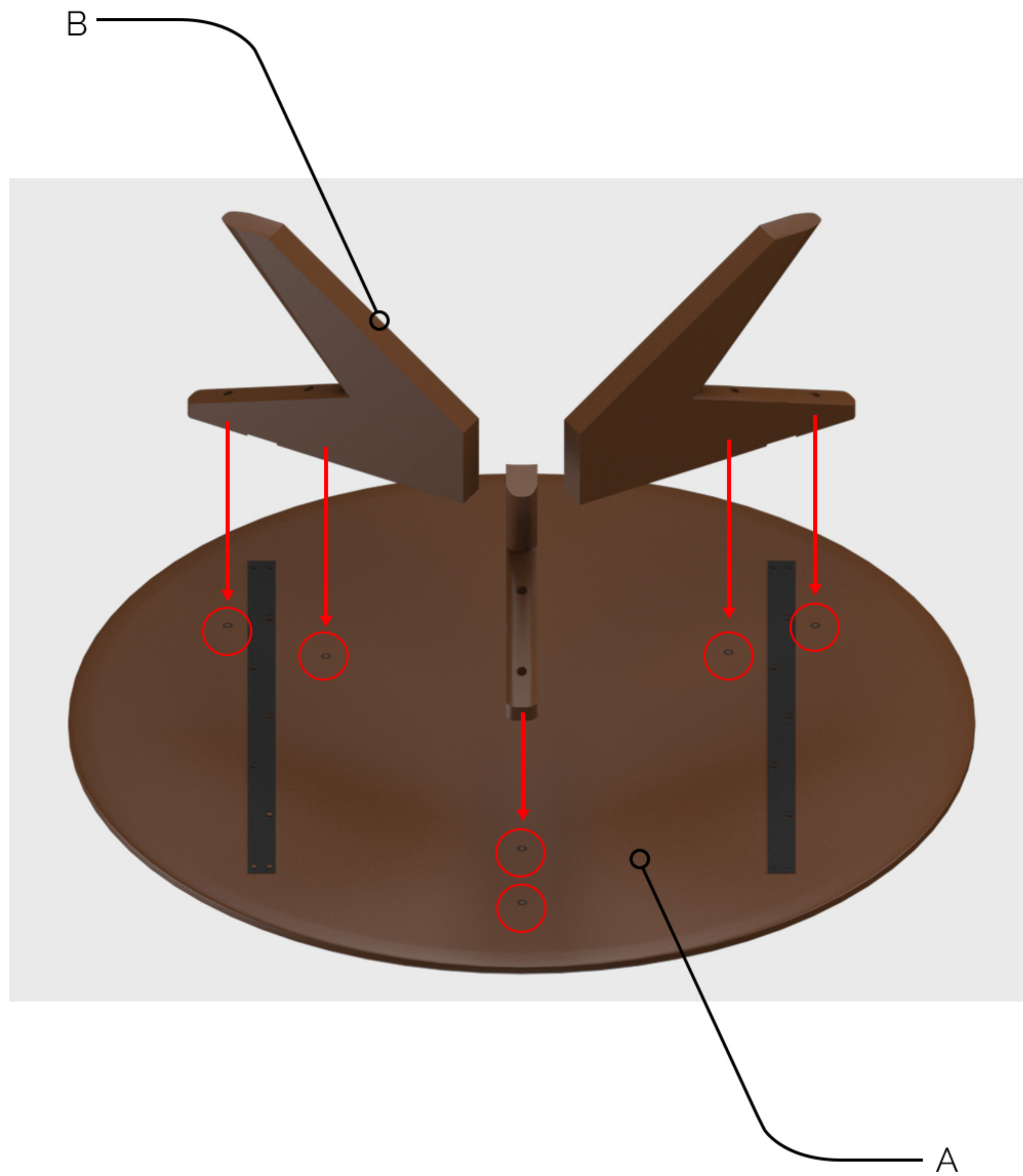
F
LOCK WASHER
Ø15 XØ 8MM 06X



L- KEY
Ø6MM 01X

STEP 1

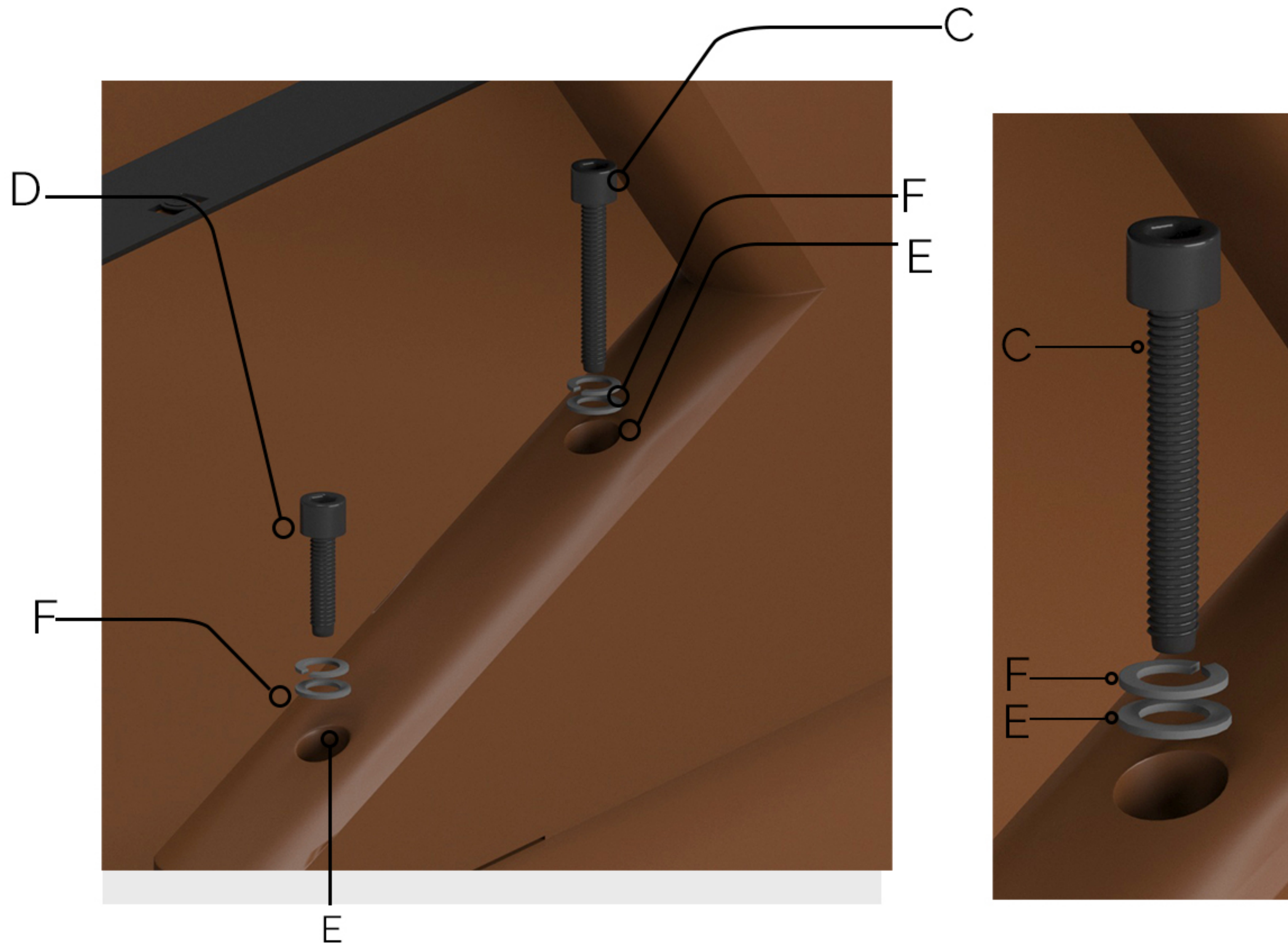
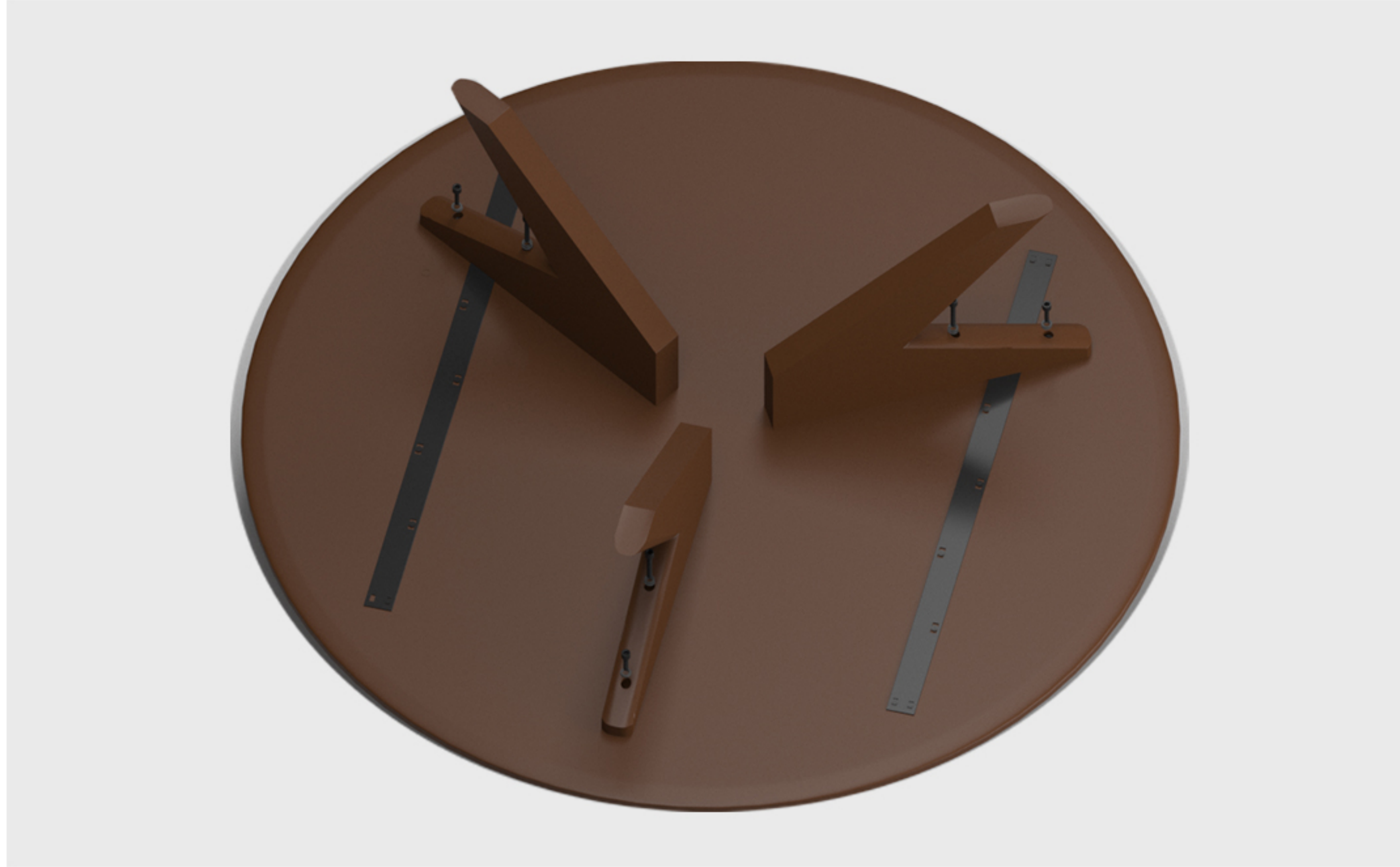
Turn the Table Top (A) upside down and align the Table Legs (B) on top of the holes in the Table Top as highlighted in red below.



STEP 2

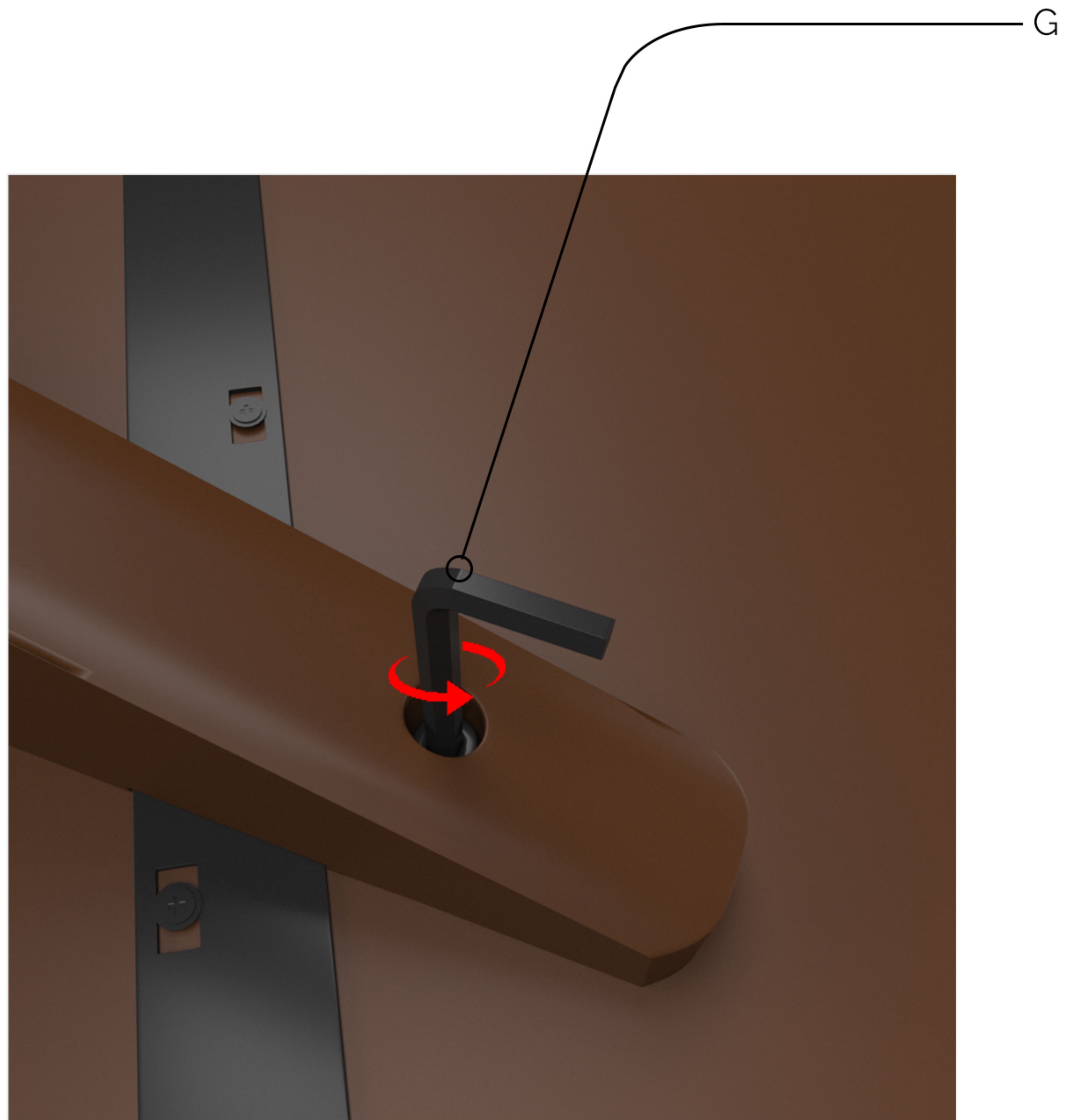
Note - While assembling the product, first tighten the screws up to 50%. Once all parts are in place, only then fully tighten the screws!

Once aligned, begin to place Flat Washers (E) and Lock Washers (F) and Bolt (C&D) on the legs. First place the Washers (E) and then add the Bolts (C&D) on top.



STEP 3

Using the L-Key, (G) tighten all Screws and Washers to secure all three legs in place.





Your table has been assembled!