

Assembly Instruction

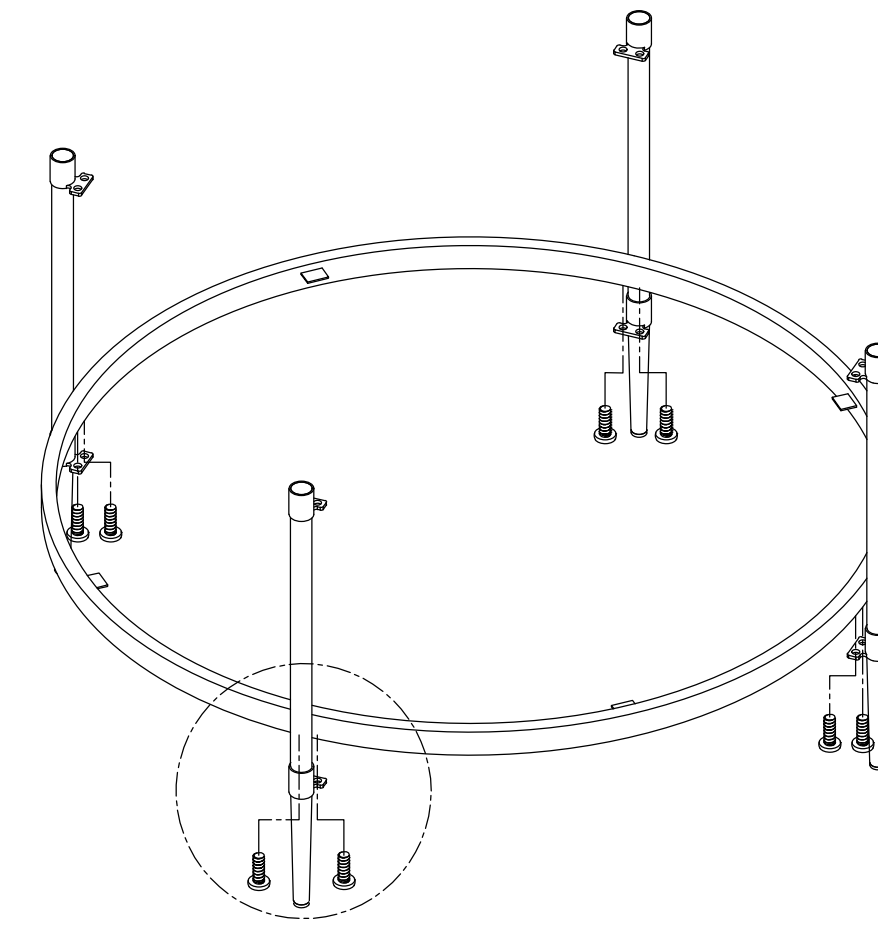
MODEL : WF-CT-1353R-GL/WF-CT-1353E-BK

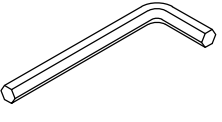
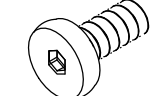
EDITION: A

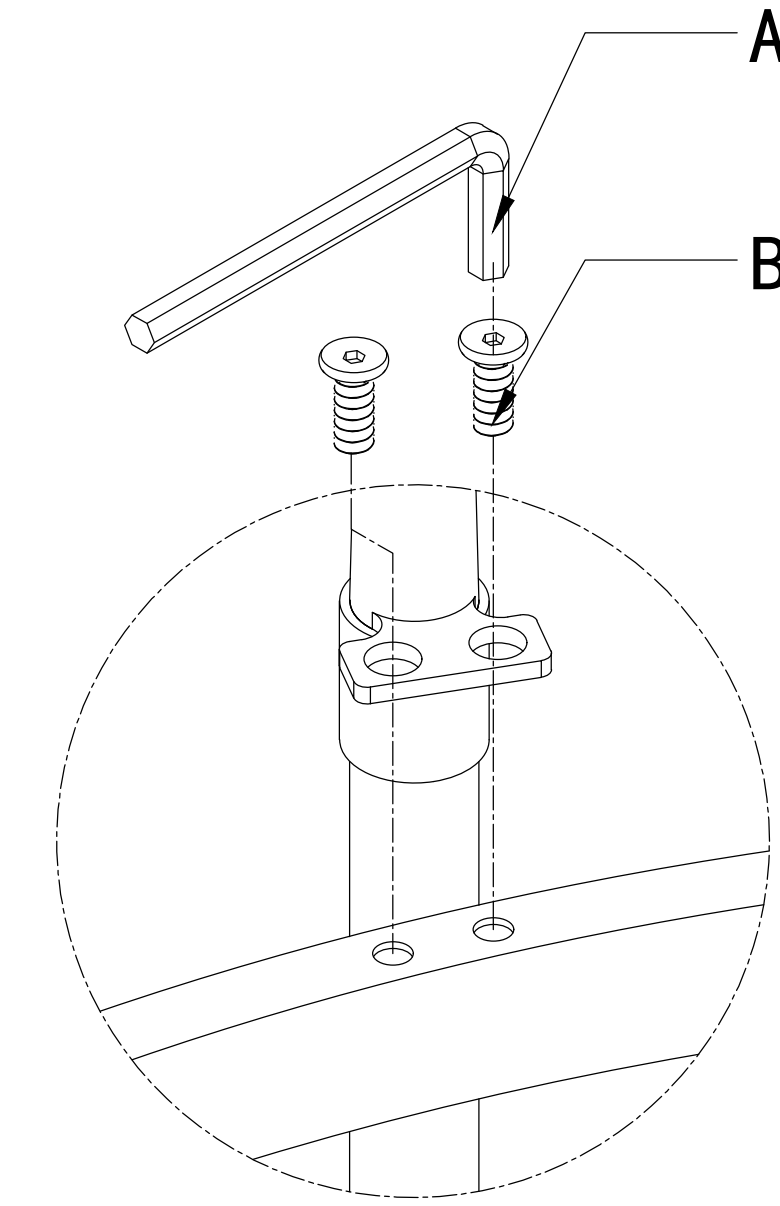
HARDWARE LIST:

PACKAGE	NO	DESCRIPTION	PART PHOTO	QTY	PACKAGE	DESCRIPTION	PART PHOTO	QTY
2/2	A	ALLEN KEY ($\phi 4$)		1PC				
	B	SCREW (M6*10)		16PCS				
	C	STICKERS FELT (16*13*1)		8PCS				

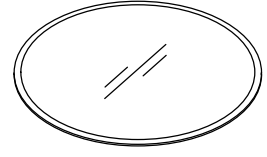
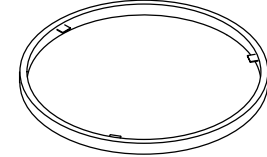
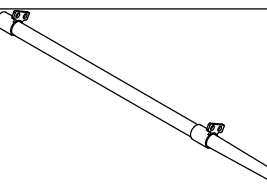

STEP 1



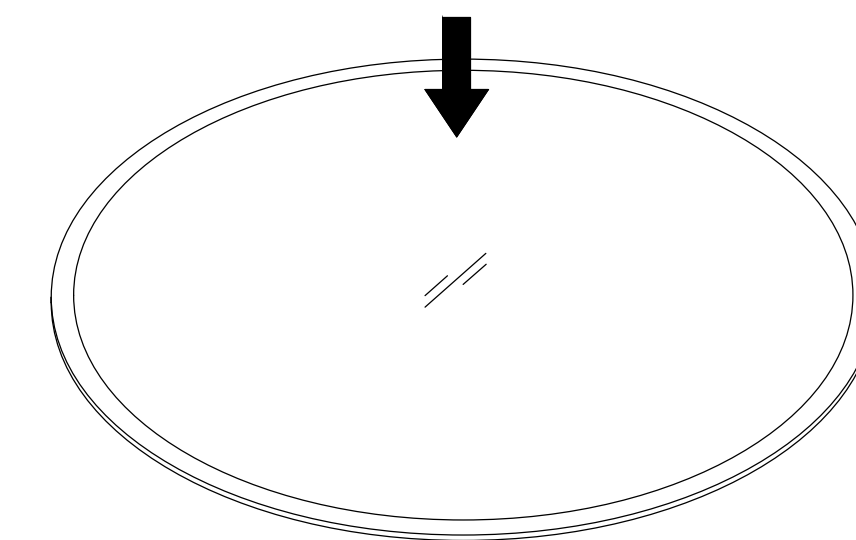
A: ($\phi 4$)  1PCS
 B: (M6*10)  8PCS

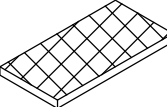


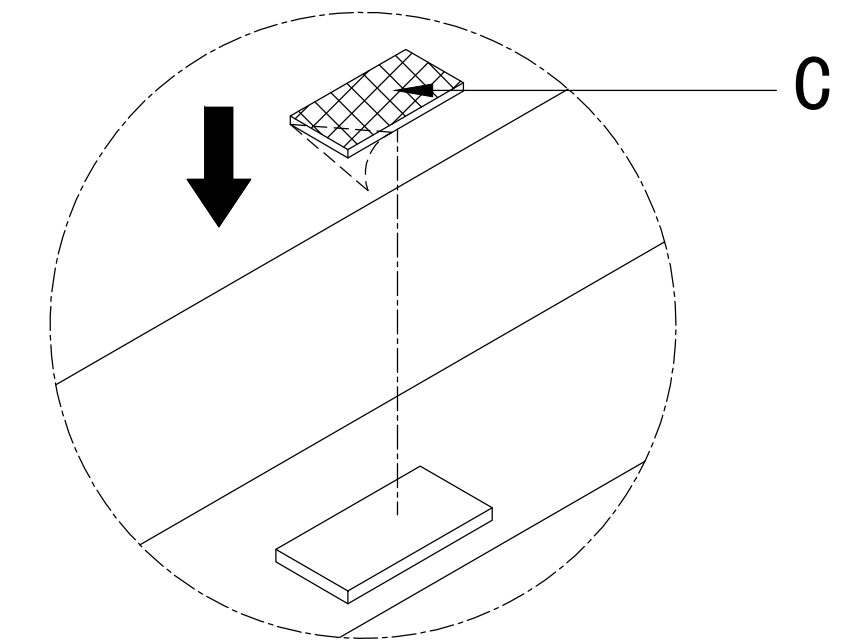
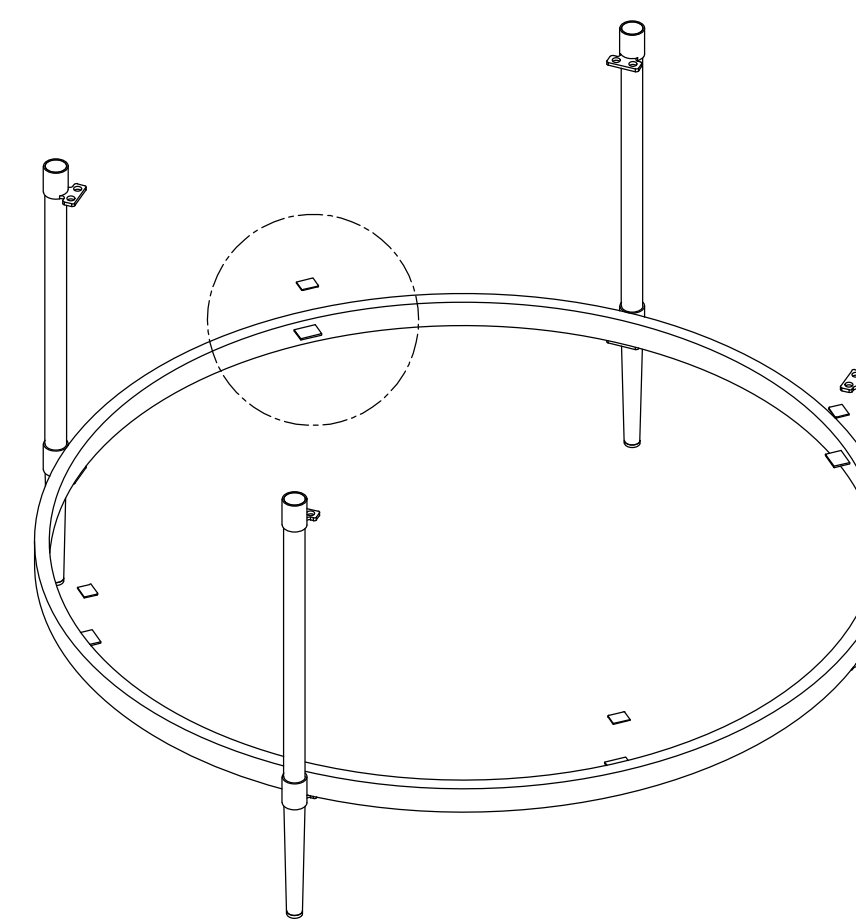
PART LIST:

PACKAGE	DESCRIPTION	PART PHOTO	QTY	PACKAGE	DESCRIPTION	PART PHOTO	QTY
1/2	GLASS		2PCS				
2/2	FRAME		2PCS				
	LEG		4PCS				
	HARDWARE		1PC				


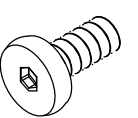
STEP 2

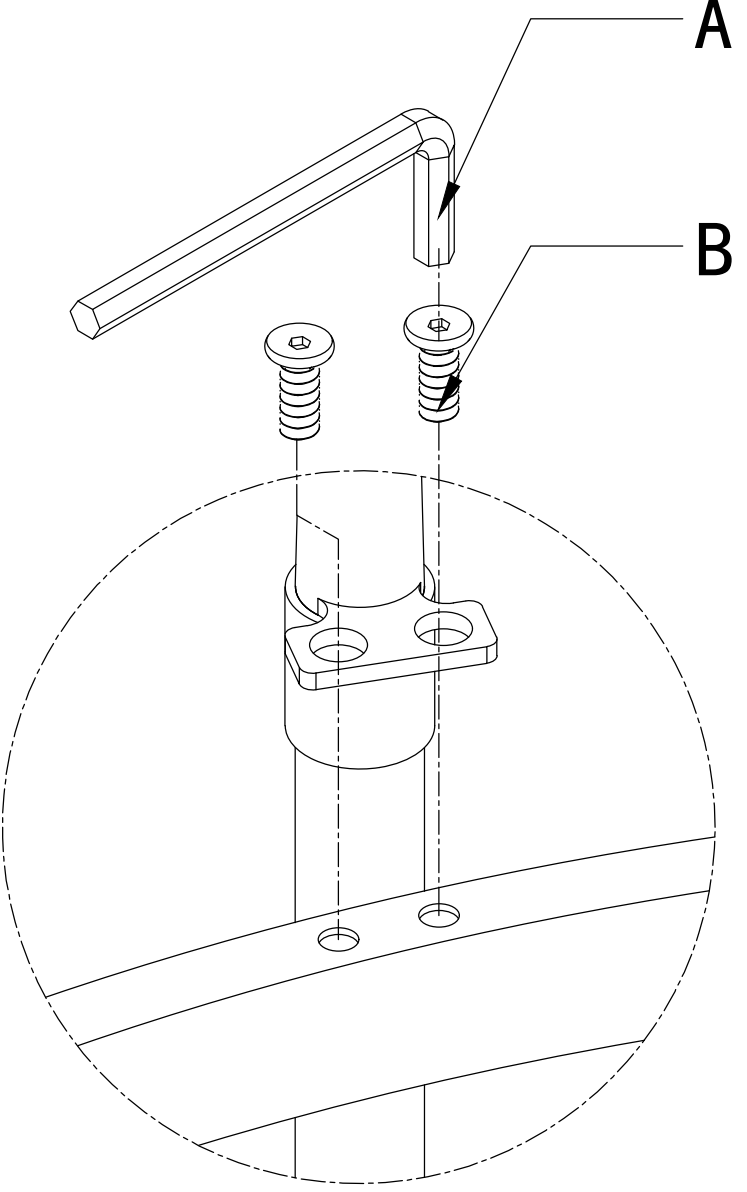
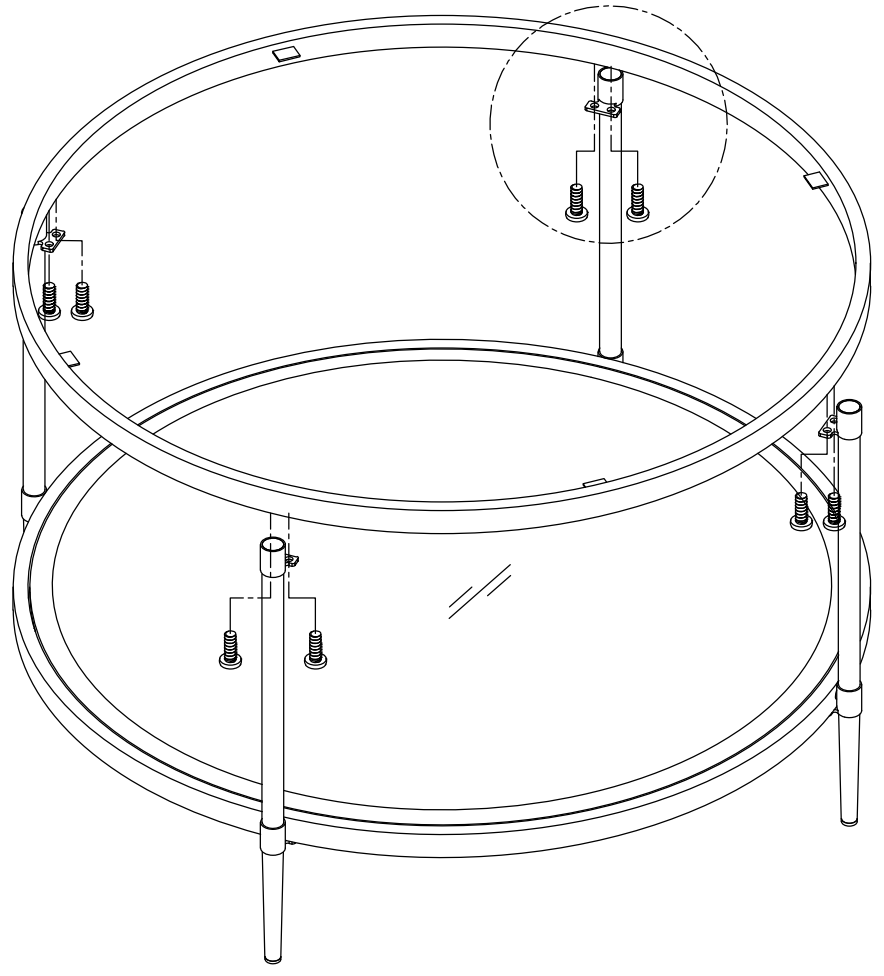


C: (16*13*1)  4PCS

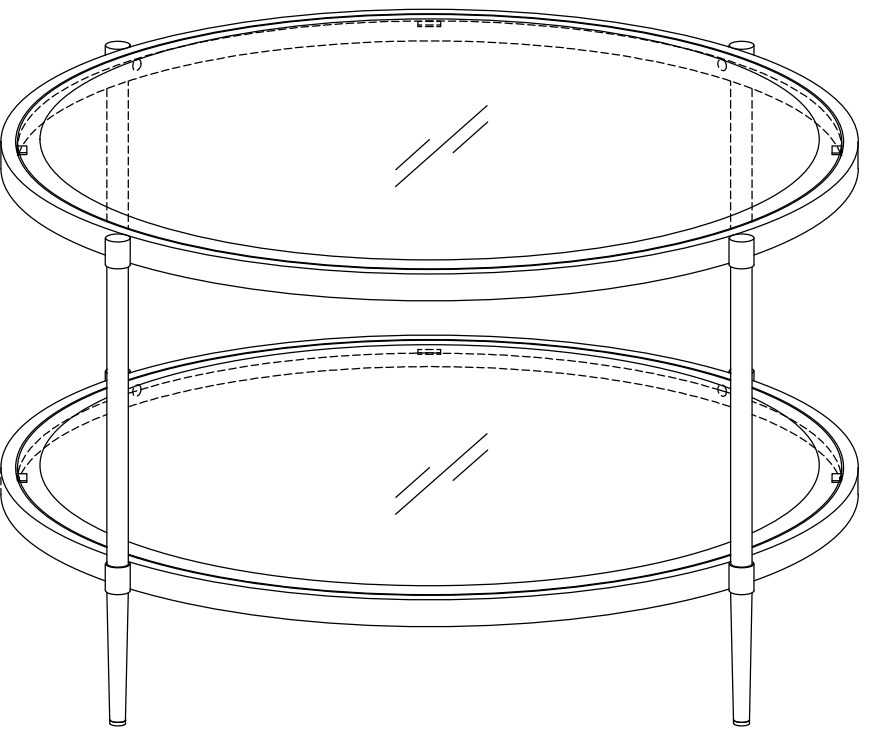


STEP 3

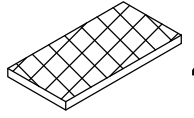
- A: ($\phi 4$)  1PCS
- B: (M6*10)  8PCS

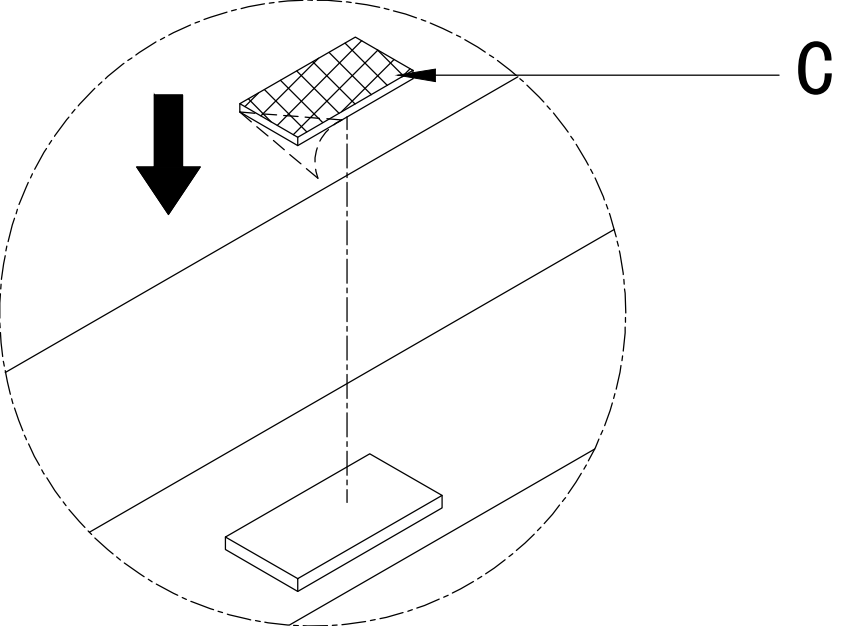
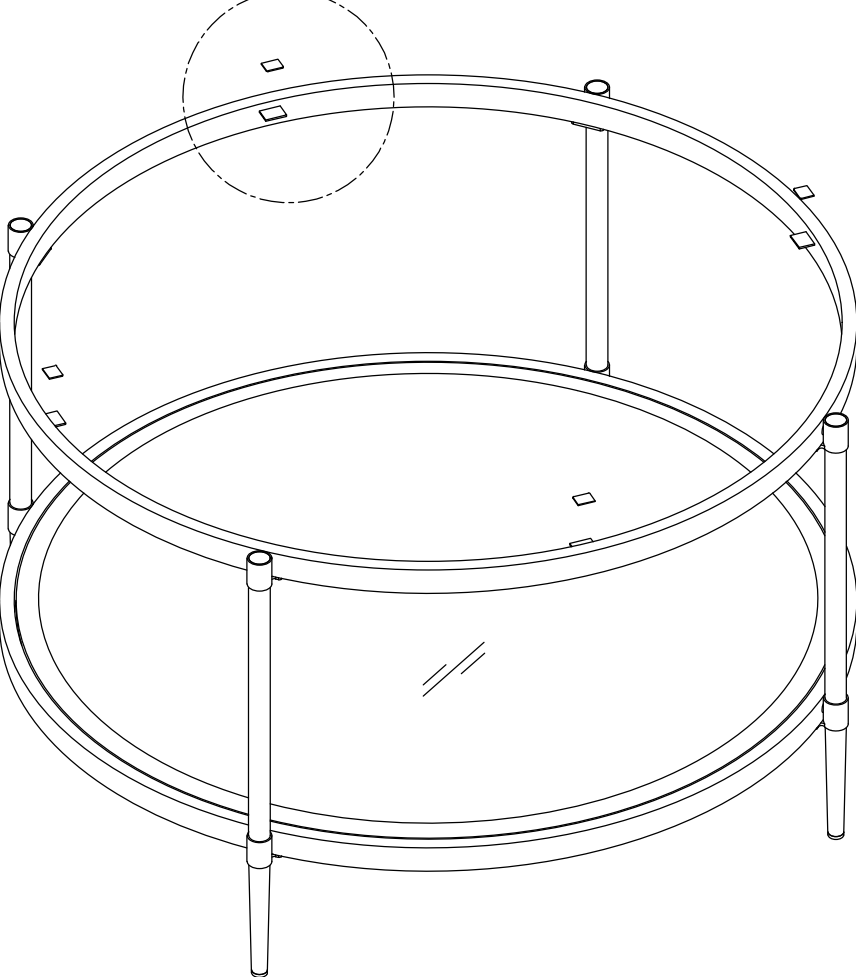
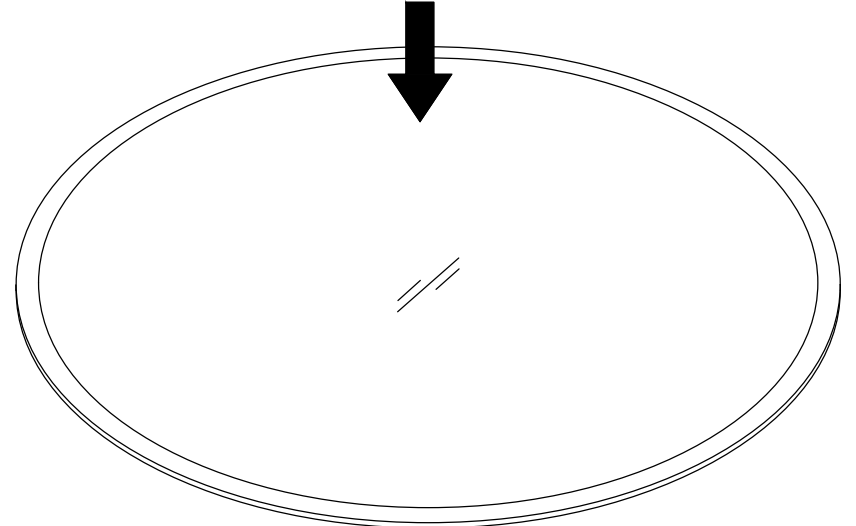


FINISH



STEP 4

- C: (16*13*1)  4PCS



Boye l Living

(833) 998-6986

(323) 982-8955

service@boyel living. com

www. boyel living. com