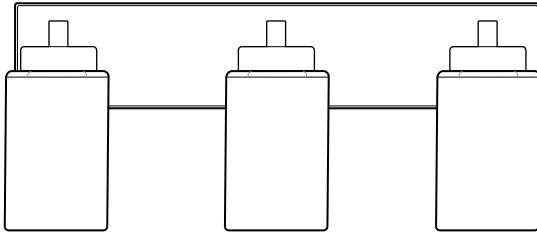


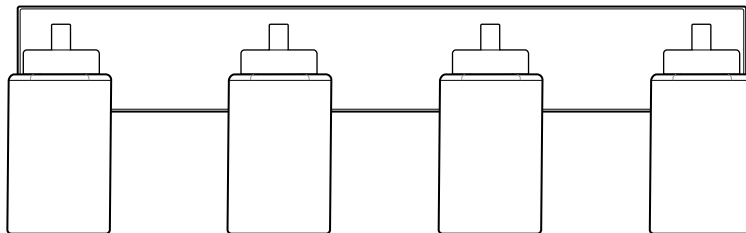
## 3-LIGHT VANITY BAR 4-LIGHT VANITY BAR 5-LIGHT VANITY BAR

Español p. 10

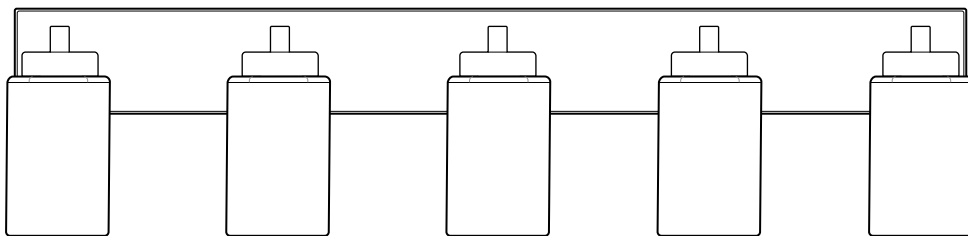
ATTACH YOUR RECEIPT HERE



MODEL #VB230-3CH



MODEL #VB230-4CH



MODEL #VB230-5CH



800053

APPROVED FOR USE IN  
DAMP LOCATIONS

Purchase Date \_\_\_\_\_

Thank you for purchasing this ALLEN + ROTH product.

Questions, problems, missing parts?

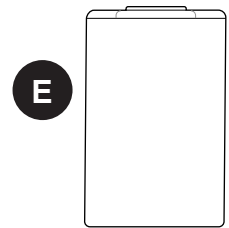
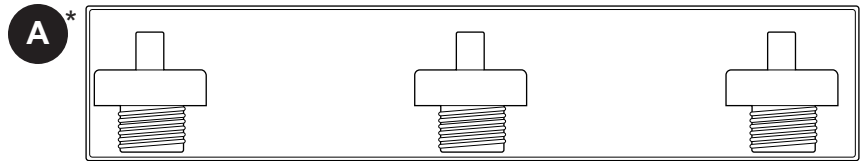
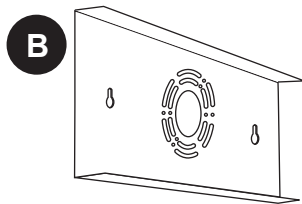
Before returning, contact us on:

**866-439-9800**, 8 a.m-8 p.m., EST, Monday-Sunday or [ascs@lowes.com](mailto:ascs@lowes.com).

## TABLE OF CONTENTS

Package Contents .....	2
Hardware Contents .....	3
Safety Information .....	3
Preparation .....	4
Assembly Instructions .....	5
Care and Maintenance .....	9
Troubleshooting .....	9
Warranty .....	9

## PACKAGE CONTENTS



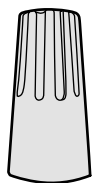
\*All fixture (A) drawings are representational only; product may vary in appearance.

PART	DESCRIPTION	#5989606	#8638996	#8638993
		QUANTITY	QUANTITY	QUANTITY
A	Fixture	1	1	1
B	Mounting Plate (preassembled to fixture (A))	1	1	1
C	Mounting Plate Screw (preassembled to mounting plate (B))	4	4	4
D	Socket Ring (preassembled to fixture (A))	3	4	5
E	Shade	3	4	5

## HARDWARE CONTENTS (shown actual size)

---

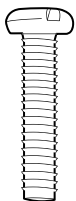
AA



Wire  
Connector

Qty. 3

BB



Machine  
Screw

Qty. 2

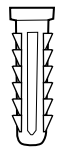
CC



Wall Anchor  
Screw

Qty. 2

DD



Wall  
Anchor

Qty. 2

## SAFETY INFORMATION

---

**READ AND SAVE THESE INSTRUCTIONS.**

### DANGER

- **TURN OFF ELECTRICITY** at main fuse box (or circuit breaker box) before beginning installation by removing the fuse (or switching the circuit breaker off).
- For your protection and safety, carefully read and understand the information provided in this manual completely before attempting to assemble, install or operate this product. Failure to do so could lead to electrical shock, fire or other injuries that could be hazardous or even fatal.
- **DO NOT** connect this fixture to an electrical system that does not provide a means for equipment grounding. Never use a fixture in a two-wire system that is not grounded. Installing a fixture into an electrical system not having a proper grounding means could cause metal parts of the fixture to carry electrical currents if any of the fixture wires, wire connections or splices were to become broken, cut or loose during the mounting or normal operation of the fixture. Under this condition, anyone coming in contact with the fixture would be subject to electrical shock, which could cause serious injury or death.
- **DO NOT** connect the bare or green insulation fixture ground wire to the black (HOT) current-carrying wire or the white (NEUTRAL) house wire. Connection of the bare or green fixture ground wire to the black or white house wires may cause metal parts of the fixture to carry electrical currents. Under this condition anyone coming in contact with the fixture will receive electrical shock, which could cause serious injury or death.
- **DO NOT** damage or cut the wire insulation (covering) during installation of fixture. **DO NOT** permit wires to contact any surface having a sharp edge. To do so may damage or cut the wire insulation, which could cause serious injury or death from electrical shock.

## SAFETY INFORMATION

---

### WARNING

- All electrical connections must be in agreement with local codes and ordinances, the National Electric Code (NEC) and ANSI/NFPA 70-1999. Contact your municipal building department to learn about your local codes, permits and/or inspections. Risk of fire – most dwellings built before 1985 have supply wire rated for 140 ° F. Consult a qualified electrician before installation.
- To avoid personal injury, the use of gloves may be necessary while handling fixture parts with sharp edges.
- DO NOT suspend any fixture by the house wires. A fixture must always be mounted directly to a mounting plate which is first attached to the outlet box. Wire connectors will not support the weight of a fixture. Suspending a fixture by the house wires and wire connectors will result in the fixture falling, with the possibility of personal injury and the danger of electrical shock or fire.
- To reduce the risk of fire, electrical shock, or personal injury, lever wire connectors provided with this light fixture are designed to accept only one 12-gauge house wire and two lead wires from the light fixture. If your house wire is larger than 12-gauge or there is more than one house wire to connect to the corresponding fixture lead wires, consult an electrician for the proper size lever wire connectors to use.
- To reduce the risk of damage to the fixture, DO NOT use power tools to assemble any part of the fixture.

### CAUTION

- If you are not sure the lighting system has a grounding means, DO NOT attempt to install this fixture. Contact a qualified, licensed electrician for information regarding the proper grounding methods as required by the local electrical code in your area.
- All fixtures must be mounted to an outlet box that is supported by the building structure.
- DO NOT use bulb having a wattage greater than the maximum value stated on the fixture. The use of a bulb with higher wattage than specified will increase temperatures and risk of fire.
- If a dimmer control switch is used with this fixture, obtain professional advice to determine the correct type to use as well as the electrical rating required.

## **PREPARATION**

---

Before beginning assembly of product, make sure all parts are present. Compare parts with package contents list and hardware contents list. If any part is missing or damaged, do not attempt to assemble the product.

### **Estimated Assembly Time: 30 minutes**

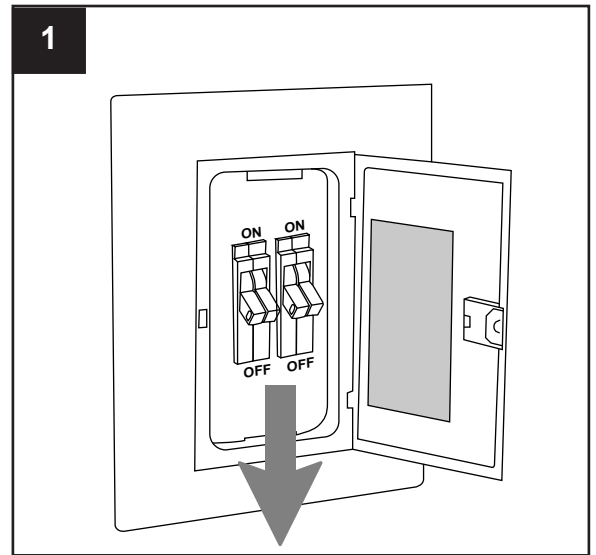
Tools Required for Assembly (not included): Flathead Screwdriver, Phillips Screwdriver, Wire Strippers, Pliers, Wire Cutters, Safety Glasses, Stepladder, Drill, 1/8 in. Drill Bit, Hammer, Pencil/Marker, Electrical Tape, Level

Helpful Tools (not included): A/C Tester Light, Do-It-Yourself Wiring Handbook, Soft Cloth

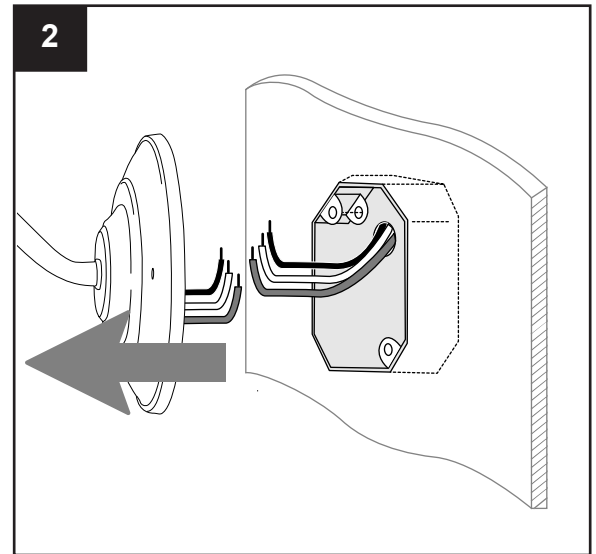
## ASSEMBLY INSTRUCTIONS

1. Turn off circuit breakers and wall switch to the fixture supply line leads.

**⚠ DANGER:** Failure to disconnect power supply prior to installation may result in serious injury or death.

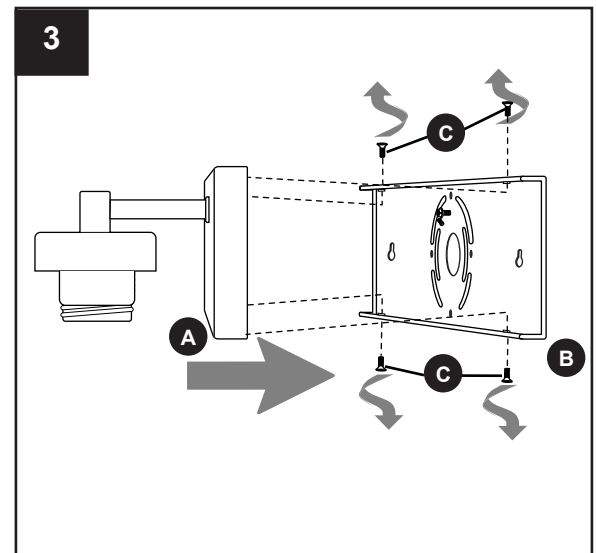


2. Remove existing fixture and disconnect all electrical wiring.



3. Remove mounting plate (B) from fixture (A) by removing mounting plate screws (C) from the edges of the fixture (A).

Save mounting plate screws (C) for later use.

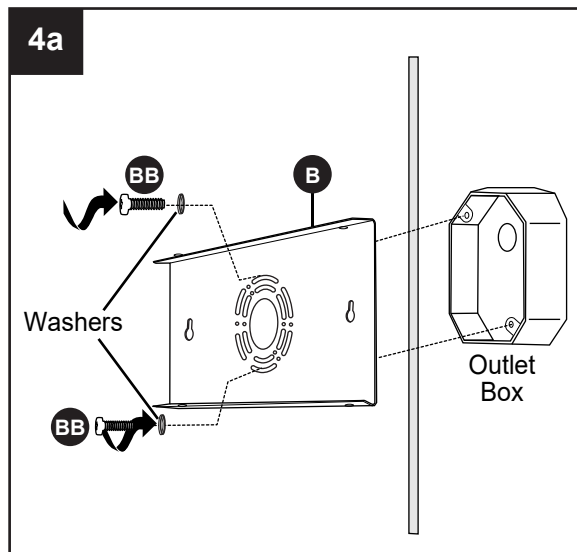


## ASSEMBLY INSTRUCTIONS

- 4a. **To mount the item directly to an outlet box** (not included), attach mounting plate (B) to outlet box using existing washers and outlet box screws or the machine screws (BB). **NOTE:** If the outlet box screws required for your outlet box are of a different size than the machine screws (BB), consult a licensed electrician before proceeding.

Use a level (not included) to adjust mounting plate (B) so mounting plate (B) is parallel with floor and ceiling as needed. Tighten machine screws (BB) to secure mounting plate (B).

**⚠ CAUTION:** The fixture must be mounted to an outlet box that is supported by the building structure and can support the weight of the fixture. Plastic outlet boxes are not recommended.



### Hardware Used

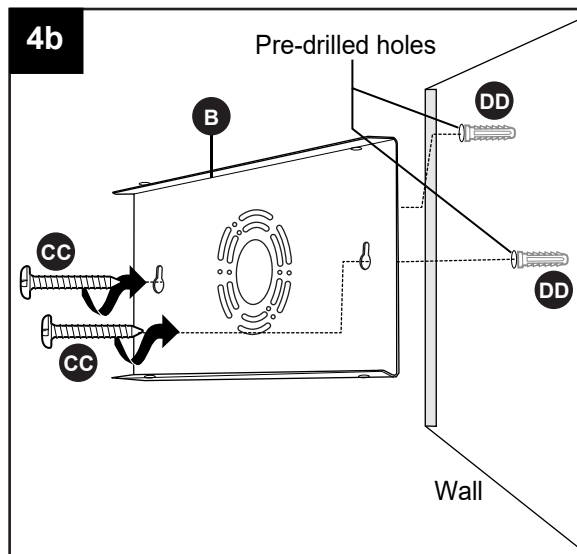
**BB** Machine Screw  x 2

- 4b. **To mount the item directly to wall**, determine the approximate location for the fixture (A). Place the mounting plate (B) against the wall and mark the location of the slots on the mounting plate (B) using a pencil or a marker (neither included). Set mounting plate (B) aside.


Then, using a 1/8 in. drill bit (not included), drill two pilot holes at the marked locations. Gently tap wall anchors (DD) into holes with a hammer (not included) until flush with wall surface.

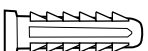
Partially screw wall anchor screws (CC) into wall anchors (DD). Align slotted holes in mounting plate (B) with loosened wall anchor screws (CC) and allow mounting plate (B) to rest on wall anchor screws (CC). Use a level (not included) to adjust mounting plate (B) parallel with floor and ceiling as needed. Secure mounting plate (B) to wall by securely tightening wall anchor screws (CC).

**⚠ CAUTION:** To mount to wall without an outlet box, proper wiring for a light fixture must be present and/or accessible. If not, consult a qualified electrician before installing the fixture.



### Hardware Used

**CC** Wall Anchor Screw  x 2

**DD** Wall Anchor  x 2

## ASSEMBLY INSTRUCTIONS

**NOTE:** The drawings on pages 7 - 9 are applicable for both mounting options, 4a and 4b.

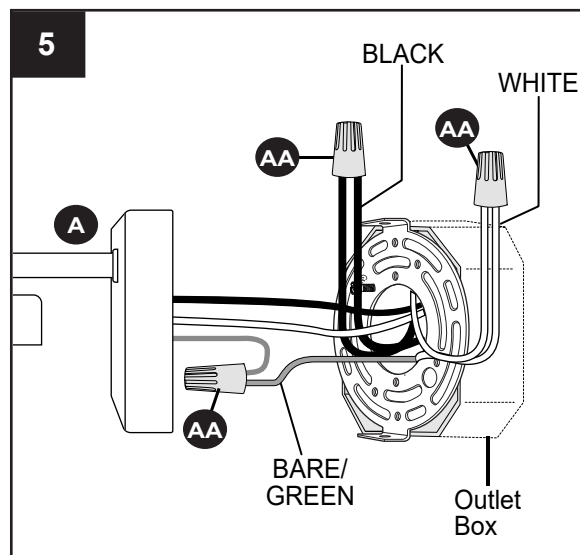
5. **NOTE:** Screw wire connectors (AA) on in a clockwise direction.

**⚠ WARNING:** Never connect ground wire to WHITE or BLACK power supply wires.

**⚠ WARNING:** To reduce the risk of fire, electrical shock or personal injury, wire connectors (AA) are designed to accept only one 12-gauge house wire and two lead wires from the light fixture. If your house wire is larger than 12-gauge or there is more than one house wire to connect to the corresponding fixture lead wires, consult an electrician for the proper size wire connectors to use.

Unwrap BARE wire on fixture (A) from BLACK and WHITE wires.

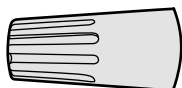
Prepare wires by stripping 3/4 in. of insulation from wire ends using wire strippers (not included). Connect BARE/GREEN ground wire from outlet box to BARE ground wire from fixture (A) with wire connector (AA). Connect WHITE wire from fixture (A) to WHITE wire from outlet box using existing wire connector or wire connector (AA). Connect BLACK wire from fixture (A) to BLACK wire from outlet box using existing wire connector or wire connector (AA).



### Hardware Used

AA

Wire Connector



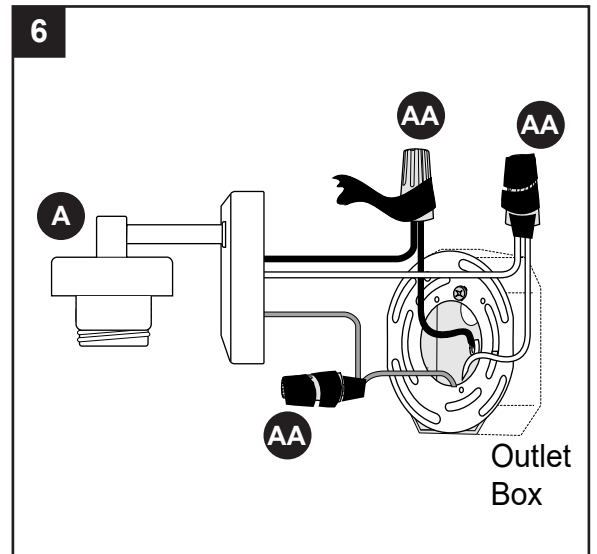
x 3

## ASSEMBLY INSTRUCTIONS

6. Wrap electrical tape (not included) around each individual wire connector (AA) down to the wire.

**⚠ WARNING:** Make sure no bare wire or wire strands are visible after making connections.

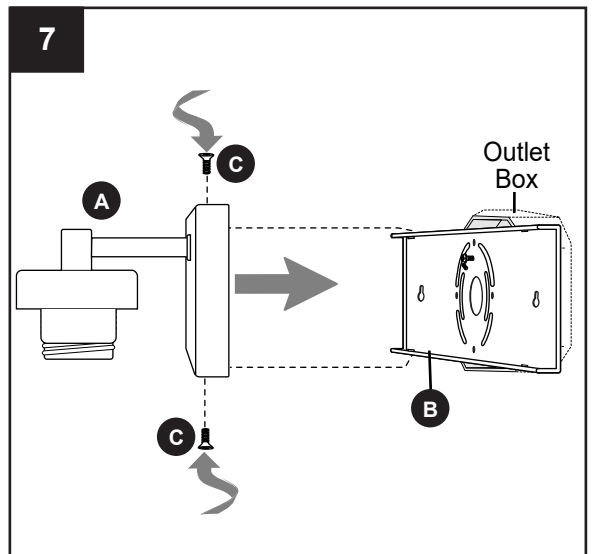
Push wire connectors (AA) gently back into outlet box. Carefully push excess wiring into outlet box.



7. Attach fixture (A) to mounting plate (B) using mounting plate screws (C) previously removed (Step 3, Page 5).

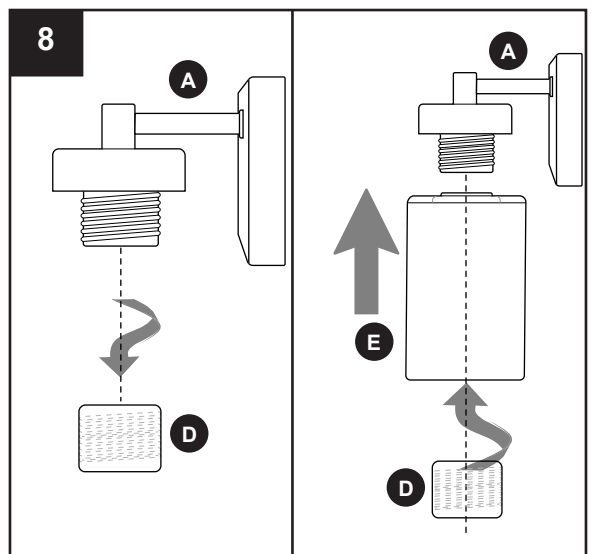
**NOTE:** Fixture (A) can be installed with the sockets facing either up or down.

Before tightening mounting plate screws (C) completely, use level to check fixture (A) -- adjust if necessary.



8. Remove socket rings (D) from sockets of fixture (A). Attach shades (E) to sockets, securing with socket rings (D).

**⚠ WARNING:** Do NOT overtighten socket rings as shades may crack or break.



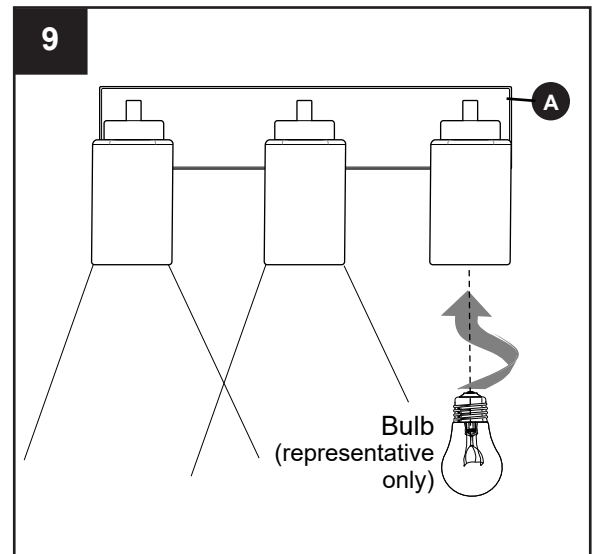
## ASSEMBLY INSTRUCTIONS

9. Install 60-watt max. standard-base incandescent bulbs (not included) or LED equivalent.

**⚠ WARNING:** When replacing bulbs, allow bulbs and shades to cool down before touching.

Restore power and test fixture (A).

If lights do not function, please refer to TROUBLESHOOTING below.



## CARE AND MAINTENANCE

- Shut off main power supply. Wipe with soft cloth or use window cleaner. Do not use an abrasive cleaner.

## TROUBLESHOOTING

**⚠ WARNING:** Before beginning work, shut off the power supply to avoid electrical shock.

PROBLEM	POSSIBLE CAUSE	CORRECTIVE ACTION
Bulb(s) will not light.	<ol style="list-style-type: none"> <li>1. Bulb(s) is/are burned out.</li> <li>2. Power is OFF.</li> <li>3. Faulty connection.</li> </ol>	<ol style="list-style-type: none"> <li>1. Replace light bulb(s).</li> <li>2. Make sure power supply is ON.</li> <li>3. Check wiring and all connections.</li> </ol>
Fuse blows out or circuit breaker trips.	<ol style="list-style-type: none"> <li>1. Crossed wires.</li> <li>2. Power wire is grounding out.</li> </ol>	<ol style="list-style-type: none"> <li>1. Check wiring.</li> <li>2. Check all connections.</li> </ol>

## WARRANTY

The distributor warrants all of its lighting fixtures against defects in materials and workmanship for one (1) year from the date of purchase. If within this period the product is found to be defective, take a copy of the bill of sale as a proof of purchase and the product in its original carton to the place of purchase. The distributor will, at its option, repair, replace or refund the purchase price to the consumer. All costs of installation and removal of the fixture are the responsibility of the consumer. This warranty does not cover fixtures becoming defective due to misuse, accidental damage or improper handling and/or installation and specifically excludes liability for direct, incidental or consequential damages, improper packaging of returned products and acts of God. As some states do not allow exclusions of limitations on an implied warranty, the above exclusion and limitation may not apply. This warranty gives you specific rights and you may also have other rights which may vary from state to state.