

1392202 / 1393202

60 X 30 PRINCETON PRO ABOVE FLOOR ROUGH BATHTUB LH OR RH DRAIN

Exterior Dimensions: 60W x 30D
Note: Dimensions may vary +/- 1/4"



Material to be stacked
on pallets.

*American
Standard*

COLOR & TRIM OPTIONS

Standard Color	Code
White	.020



FEATURES

- Tub size: 60" x 30" Apron
- Height: 17-1/2"
- Soaking Depth: 9-3/16"
- Construction:
 - Porcelain Enameled Steel Construction
 - Full Stansure slip-resistant floor surface
 - Recessed bath with integral apron
 - Integral 3-sided tile/water retention flange for easy installation
 - Integral lumbar support with beveled headrest
 - Pre-leveled tub bottom for easier installation
 - Easy to clean, resistant to: bacteria, mold, mildew and stains
 - Limited lifetime residential warranty
 - 3-Year commercial warranty

STANDARDS AND RATINGS

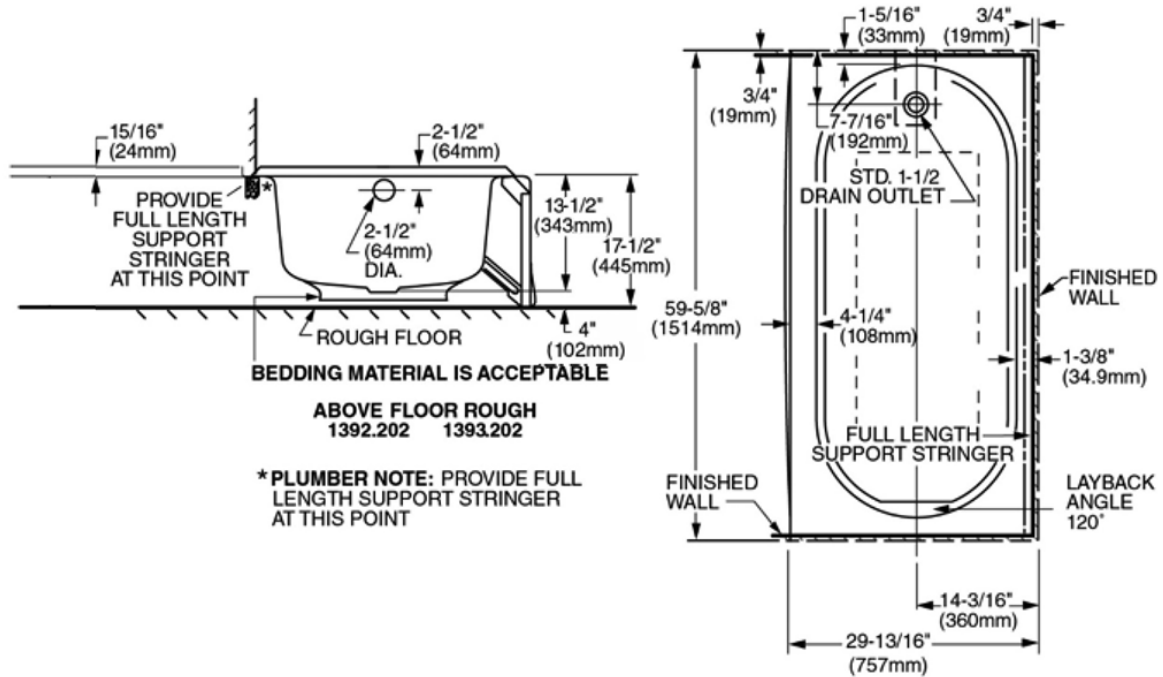
- National Plumbing Code of Canada
- International Residential Code
- International Plumbing Code
- Uniform Plumbing Code
- MAS Certified Green
- ASME A112.19.1
- ICC/ANSI A117.1
- ASTM C282
- ASTM C448
- ASTM E162
- ASTM E662
- ASTM F462
- ASTM E303-22
- CSA B45.2
- WWP-541
- UL -969
- LEED
- ADA
- HUD
- FHA
- VA

*Compliance effective where applicable
and installed accordingly

1392202 / 1393202

60 X 30 PRINCETON PRO ABOVE FLOOR ROUGH BATHTUB LH OR RH DRAIN

Note: Base dimensions may vary +/- 1/4"



**LEFT HAND TUB ILLUSTRATED
RIGHT HAND TUB IS REVERSED**

FEATURES Dimensional Tolerance ± 1/4". Dimensions needed for site preparation should be measured from the unit. American Bath Group assumes no responsibility for preparatory work.

Type and Model #	Drain Side	Material	Surface
Bathtub #1392202	Left	Americast	Porcelain Enamel w/ Anti-slip
Bathtub #1393202	Right	Americast	Porcelain Enamel w/ Anti-slip

DIMENSIONS

Specifications	inches
Bathtub Depth:	30
Bathtub Length:	60
Apron Height:	17.5
Step-Over Depth:	4-1/4
Shower Door Mountable Surface Depth*:	2-1/4

SUGGESTED DRAINS

Image	Description
	Standard Drain Part No. 1583470
	Deep Soak Drain Part No. 1640305

Shower doors can only be attached to the bathtub surface via adhesive, and cannot be drilled/nailed to the bathtub surface