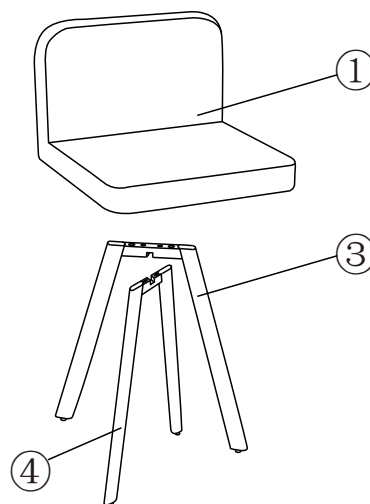
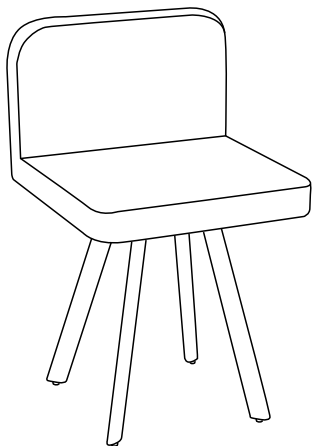
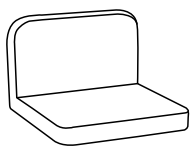


ASSEMBLY INSTRUCTIONS

C-020



①



x1

③



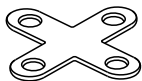
x1

④



x1

A



x1

B



6*45mm

x4

C



6*13mm

x4

D



6*16mm

x4

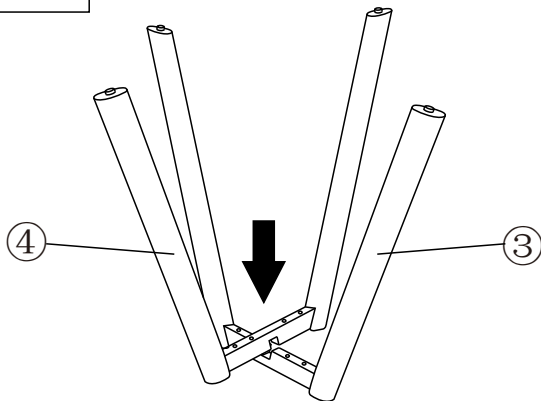
E



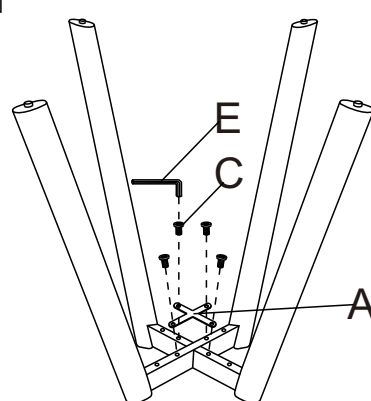
M4

x1

STEP 1

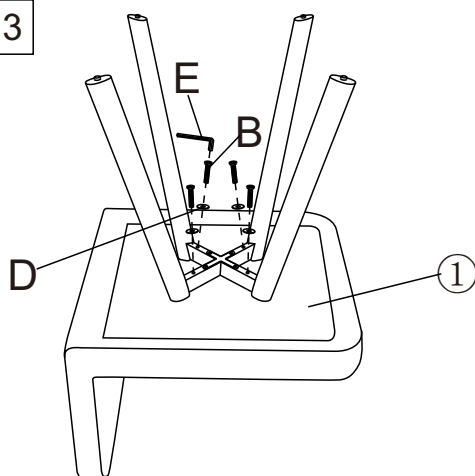


STEP 2



Ax1
Cx4
Ex1

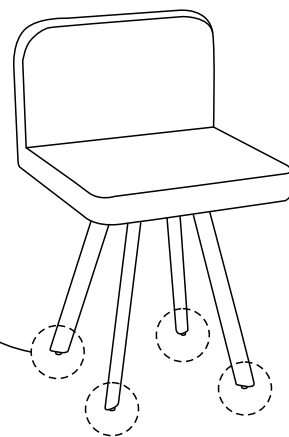
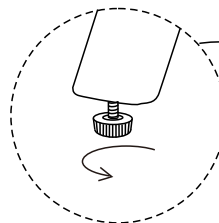
STEP 3



Bx4
Dx4
Ex1

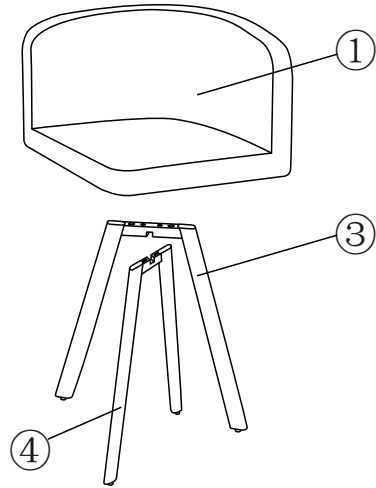
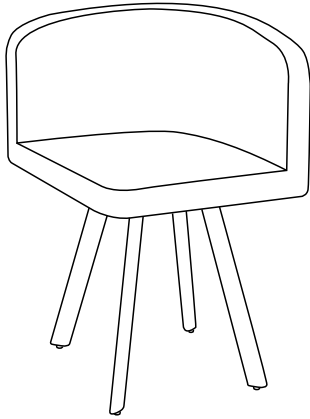
STEP 4

the chair is with adjustable feet, if the chair is not stable, please adjust the feet.

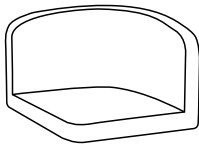


ASSEMBLY INSTRUCTIONS

C-020



②



x1

③



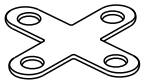
x1

④



x1

A



x1

B



6*45mm

x4

C



6*13mm

x4

D



6*16mm

x4

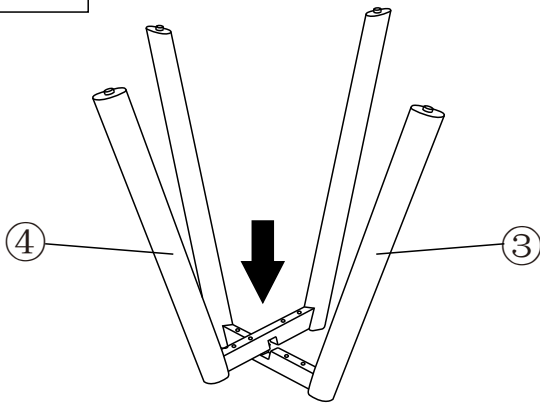
E



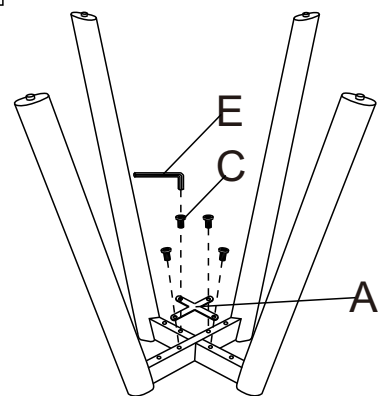
M4

x1

STEP 1

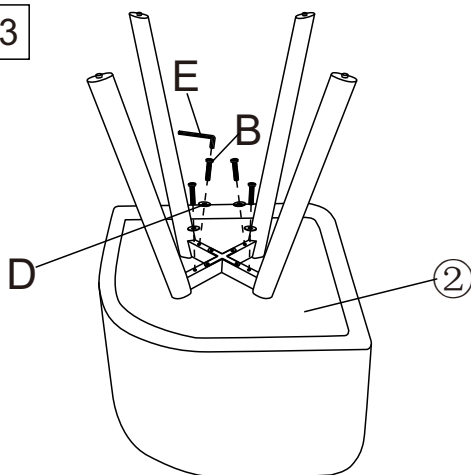


STEP 2



Ax1
Cx4
Ex1

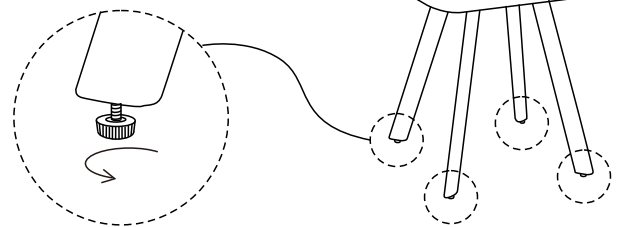
STEP 3



Bx4
Dx4
Ex1

STEP 4

the chair is with adjustable feet, if the chair is not stable, please adjust the feet.



【Kindly Remember】

If the products you receive in this package are not all of the items you purchased, please be patient. The rest of the products will be delivered by other packages.

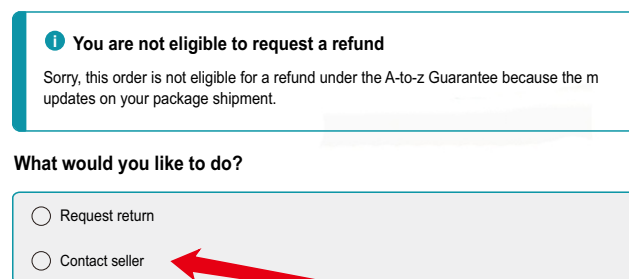
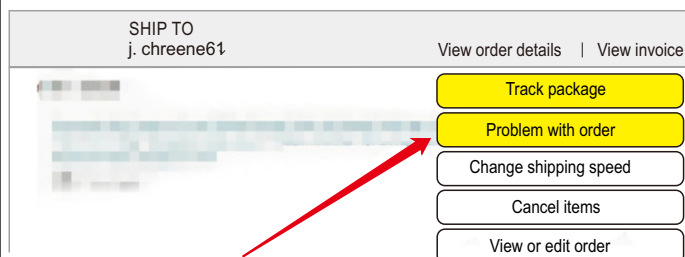
If you would like to know where the rest of the package has arrived, please contact us through Amazon. We will get back to you within 12 hours.



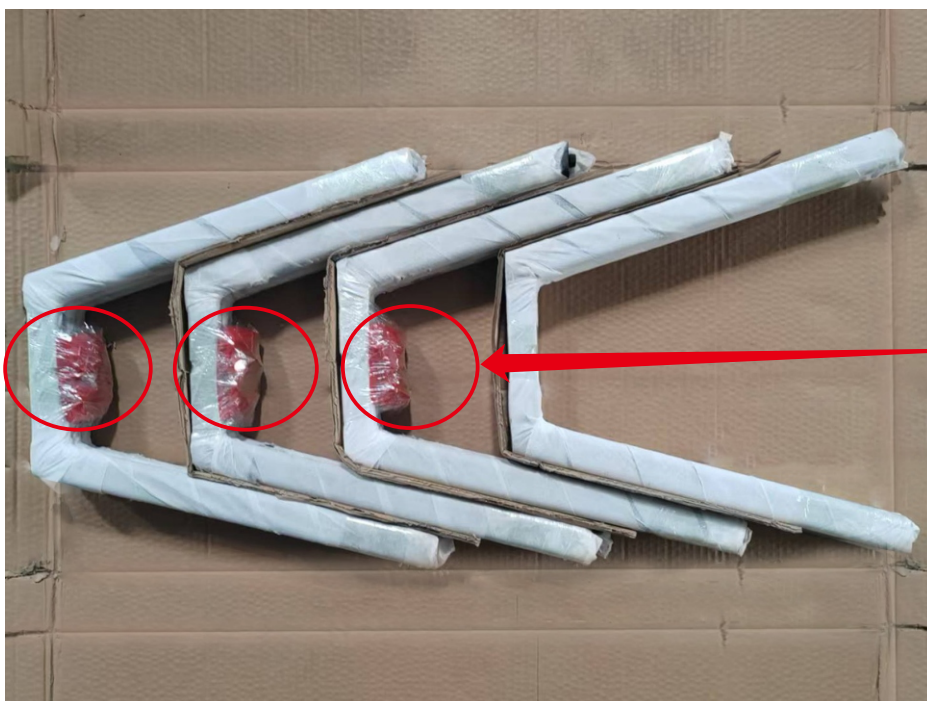
You can contact us in the following ways:

1. Find your order in the list and Select **【Problem with order】**.

2. Choose your topic from list displayed and Select **【Contact seller】**.

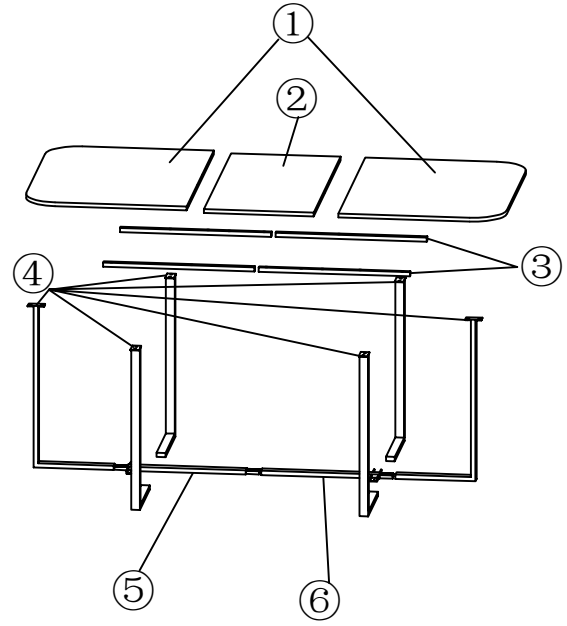
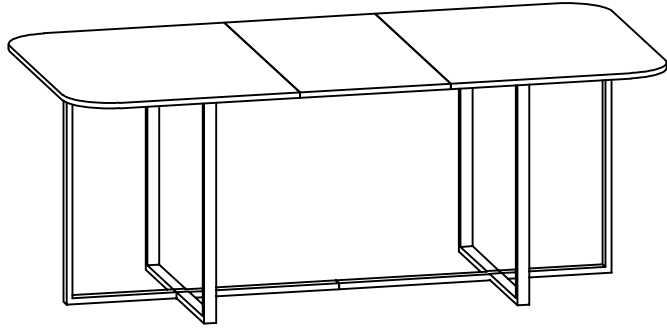


3. We will get back to you immediately as soon as we receive your message.

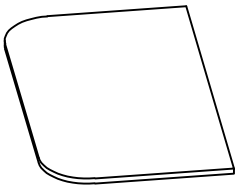


**Location of
Hardware Package**

ASSEMBLY INSTRUCTIONS

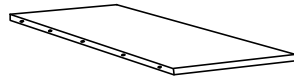


①



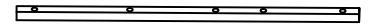
x1

②



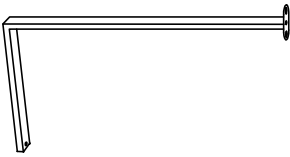
x1

③



x4

④



x6

⑤



x1

⑥



x1

A



8*35mm

x20

B



8*20mm

x12

C



8*10mm

x14

D



8*16mm

x32

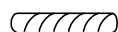
E



M5

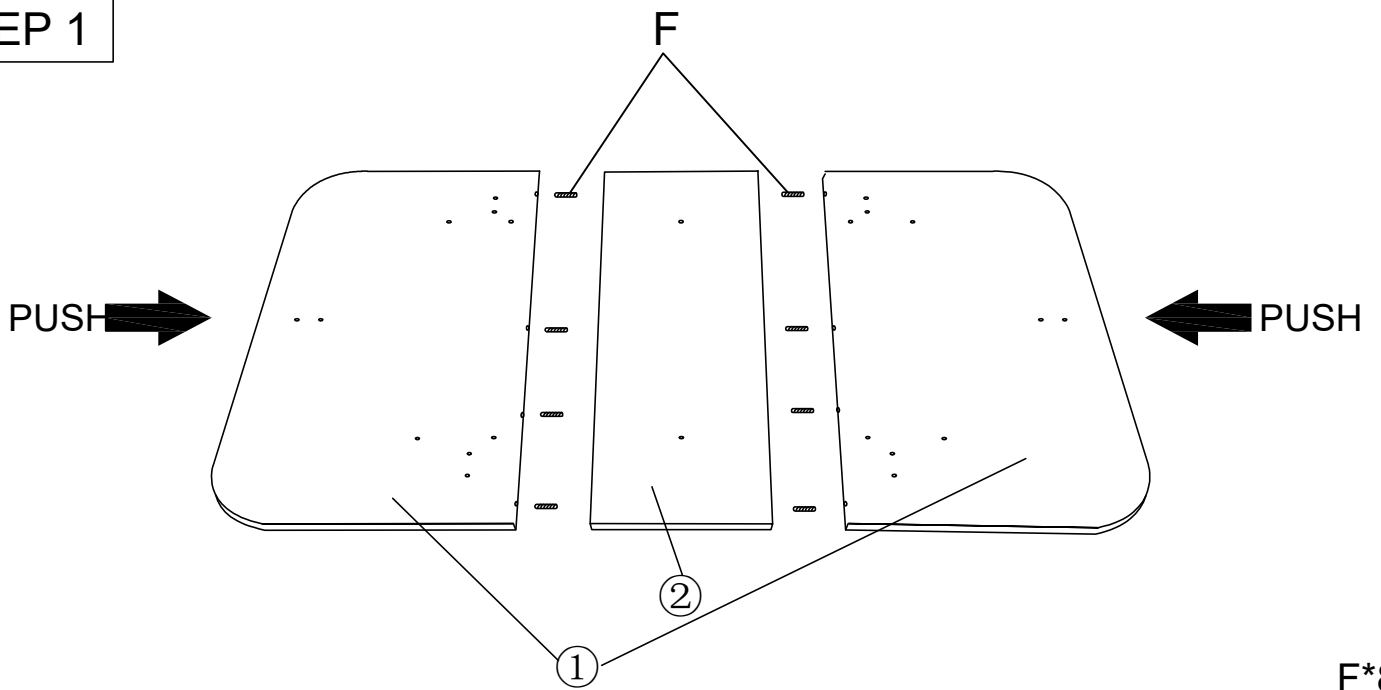
x1

F



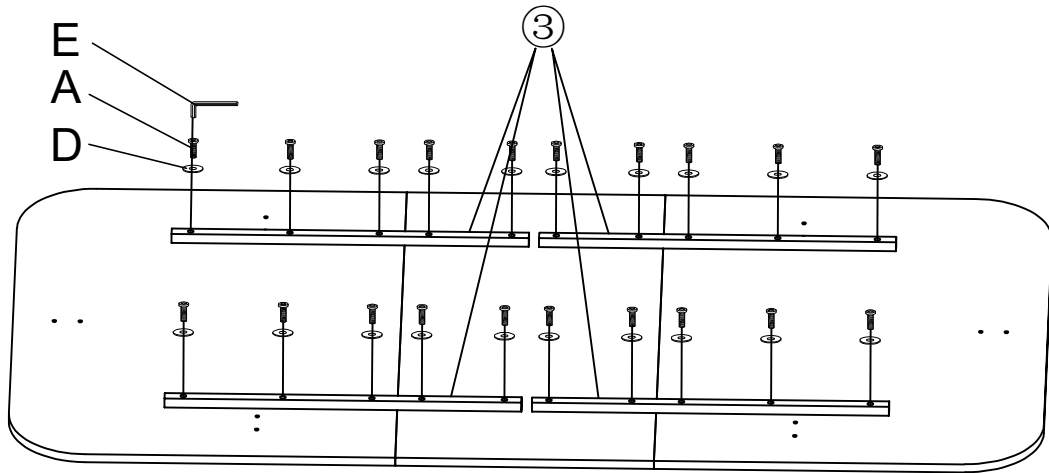
x8

STEP 1



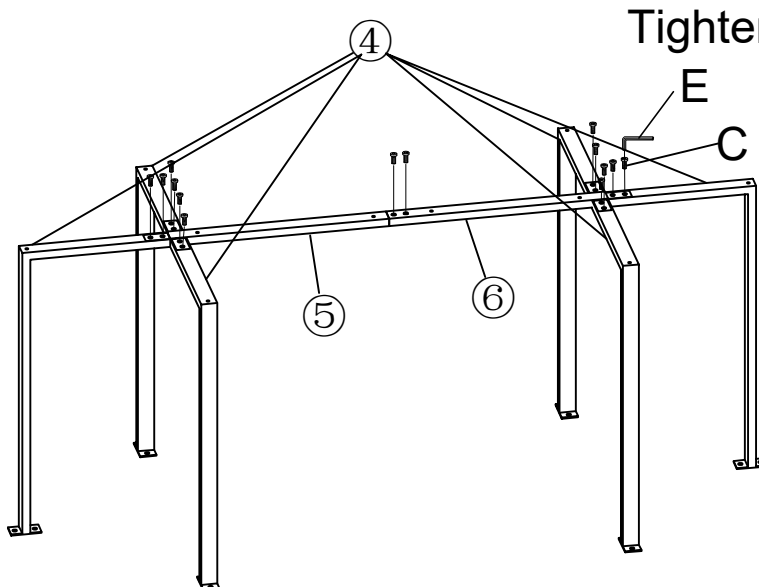
F*8

STEP 2



A*20
D*20
Ex1

STEP 3

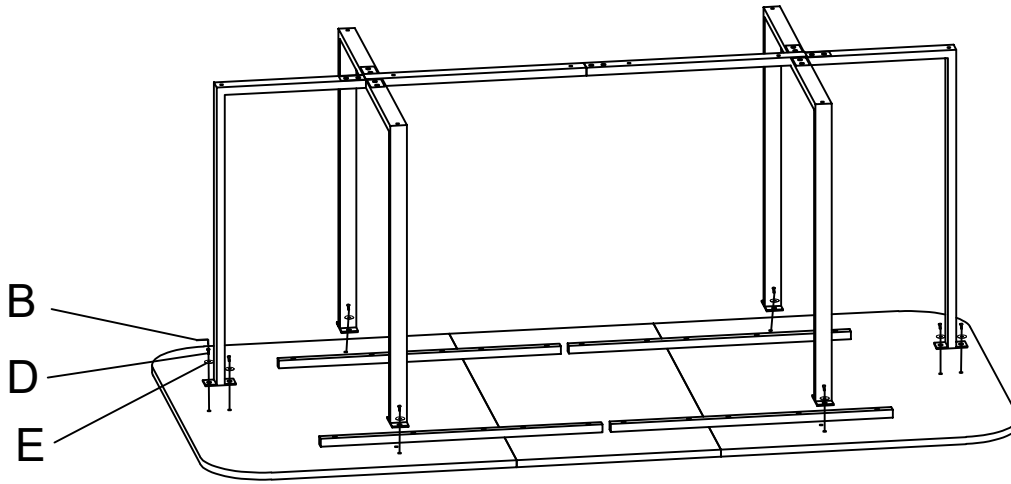


Tighten the screw to 80%.

Cx14
E*1

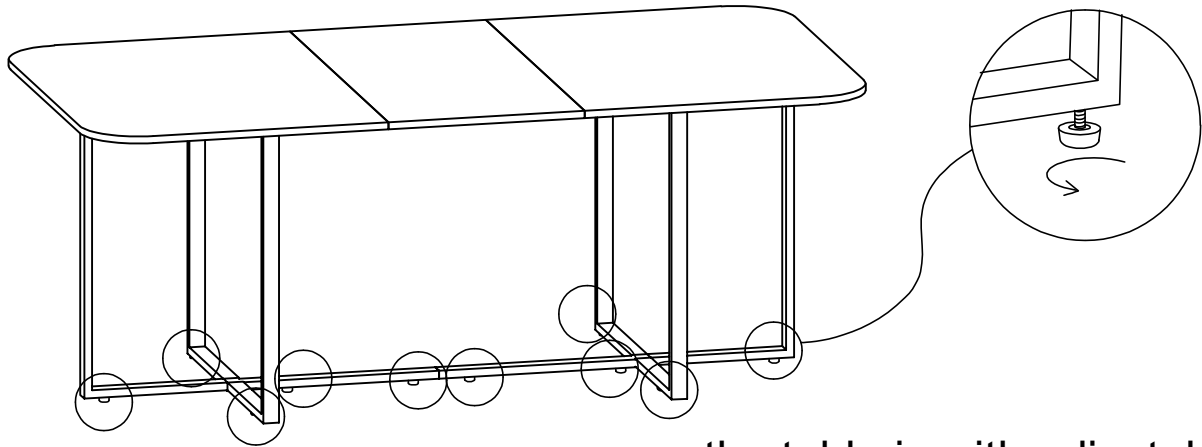
STEP 4

Tighten all screws to 100%.



Bx12
Dx12
Ex1

STEP 5



the table is with adjustable feet,
if the table is not stable, please
adjust the feet.