

Instruction Manual

COMPANY PROFILE

We are a leading supplier of lighting products, We have our own R & D base and production base, company is involved in commercial LED lighting, indoor and outdoor lighting, and other fields, it has been recognized by many countries and used. Providing the public environment with high-quality, energy-saving, beautiful artificial lighting.

WHAT IS COVERED

The manufacturer warrants this lighting fixture to be free from defects in materials and workmanship for a period of 1 year from date of purchase. This warranty applies only to the original consumer purchaser and only to products used in normal use and service. If this product is found to be defective, the manufacturer's only obligation, and your exclusive remedy, is the repair or replacement of the product at the manufacturer's discretion, provided that the product has not been damaged through misuse, abuse, accident, modifications, alterations, neglect or mishandling.

WHAT IS NOT COVERED

This warranty shall not apply to any product that is found to have been improperly installed, set-up, or used in any way not in accordance with the instructions supplied with the product. This warranty shall not apply to a failure of the product as a result of an accident, misuse, abuse, negligence, alteration, or faulty installation, or any other failure not relating to faulty material or workmanship. This warranty shall not apply to the finish on any portion of the product, such as surface and/or weathering, as this is considered normal wear and tear.

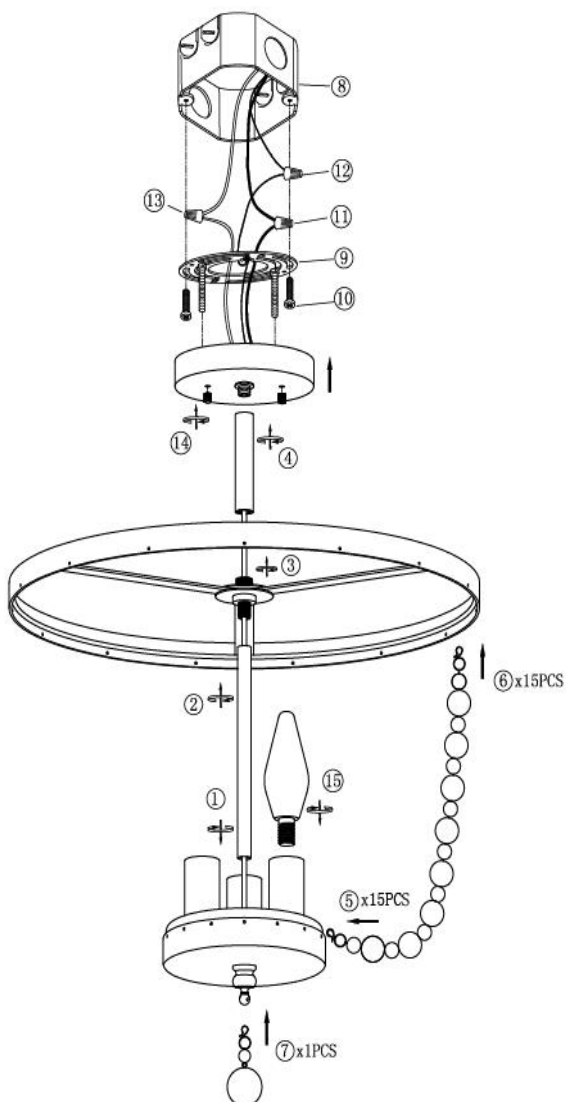
KEY FEATURES

Product Mode : WS-FND73-40B	Input Voltage : 110-120V(USA/CA)/220-240V(EU) 50/60Hz
Number of Lights : 3	Lamp Base : E12(USA/CA)/E14(EU)
Max Power : 40W	Bulb Included : No
Color : Matte Black + Brown	Material : Plastic + Iron
Size(D×H) : ø16.14 x 16.93 in	Switch Type : Wall Switch

INSTALLATION

Carefully remove all parts and hardware from carton, along with any protective plastic

packaging. Do not discard any contents until after assembly is complete to avoid accidentally discarding small parts or hardware.



Installation Steps

- A. ①② : Tighten the lamp holder and the iron ring with a long lamp pole.
- B. ③④ : Tighten the ceiling box and the iron ring with a short light pole.
- C. ⑤⑥ : Hang the long decorative beads on the iron ring and the lamp body respectively.
- D. ⑦ Hang the short decorative beads on the bottom ring of the lamp holder.
- E. ⑧⑨⑩ : First use 2 screws to tighten the Bagua board on the junction box.
- F. ⑪⑫⑬ : According to the color of the wires, connect the wires separately.
- G. ⑭ : Use 2 screws to fix the lamp body on the Bagua board.
- H. ⑮ : Install the bulb.

Note : This product does not contain light bulbs.

CONCLUDING REMARKS

▷ Thank you very much for your support and choose to purchase our products, If you like it, a positive review will strongly encourage us to do better in the future; If you have any questions about this product, please feel free to contact us.

▷ Finally, sincerely wish you and your families have a great life.

If you have any questions regarding your purchase, please feel free to contact us at:

▷ **In the USA/CA: E-mail: support02@dingliled.com**

▷ **In the EU: E-mail: support03@dingliled.com**