



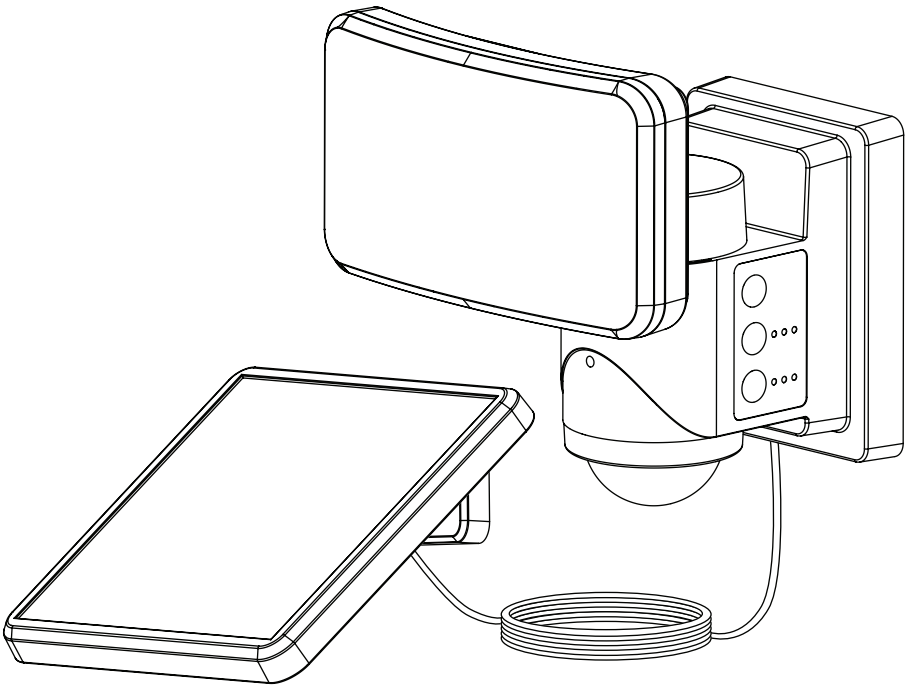
UTILITECH and logo design are trademarks or registered trademarks of LF, LLC. All rights reserved.

ITEM #6036843
MODEL #LST-2418-WH

SOLAR LED MOTION TRACKING SECURITY LIGHT

Español p. 11

ATTACH YOUR RECEIPT HERE



Serial Number _____

Purchase Date _____

Thank you for purchasing this UTILITECH product.
Questions, problems or missing parts?
Before returning, contact us on:
866-994-4148, 8 a.m. - 8 p.m., EST, Monday - Sunday or ascs@lowes.com.

WU-016475236

TABLE OF CONTENTS

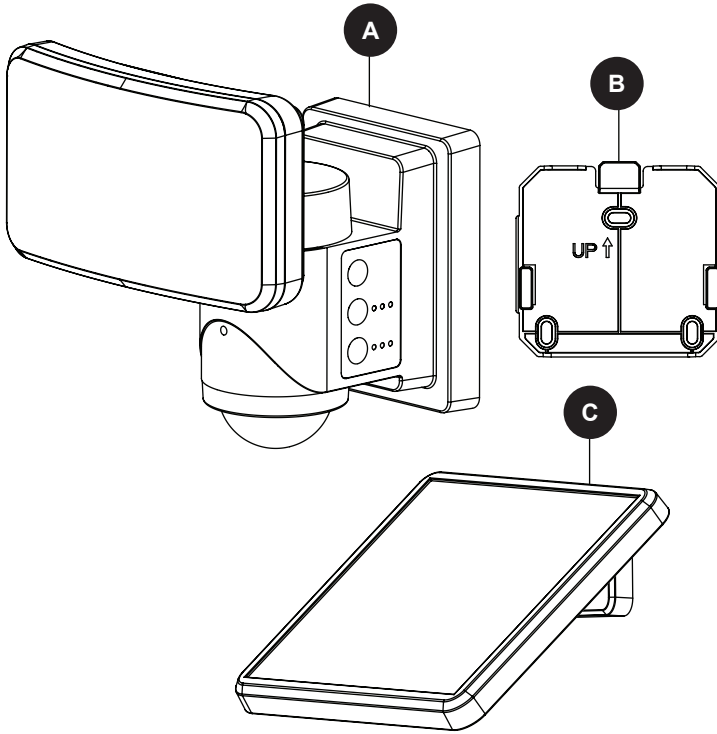
Package Contents.....	3
Hardware Contents.....	4
Safety Information.....	4
Preparation.....	5
Installation Instructions.....	6
Battery Replacement.....	8
Operating Instructions.....	9
Care and Maintenance	10
Troubleshooting.....	10
Warranty.....	10

PRODUCT SPECIFICATIONS

SPECIFICATIONS
Installation height: Approximately 2.5 m / 8 ft.
Detection angle: 240°
Detection range: Up to 15 m / 50 ft.
Operating temperature: -25°C to + 45°C

SPECIFICATIONS
Color temperature: 5000K
Lumen brightness: Low 1000lm - High 1800lm
Battery Type: Li-ion 2000mAh/3.7V/IMR18650 x 2
Protection rating: IP65

PACKAGE CONTENTS

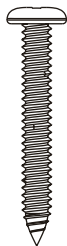


PART	DESCRIPTION	QUANTITY
A	Light fixture	1
B	Wallplate	1

PART	DESCRIPTION	QUANTITY
C	Solar panel	1

HARDWARE CONTENTS (shown actual size)

AA



M4 x 30 mm
Screw

Qty. 5

BB



M4 x 30 mm
Screw plug

Qty. 5

SAFETY INFORMATION

Please read and understand this entire manual before attempting to assemble, operate or install the product.

- It is recommended to turn off the light and charge it under direct sunlight for 2 days before the first use. Make sure the product has enough power.
- Solar Motion Sensor Light must be installed outdoors to get enough sunshine from the sun.
- If you notice that the light isn't very bright, it means that the light has entered its low-power mode, which is normal when the battery charge is low. It will return to high brightness after it's fully charged.
- The solar panel should be cleaned with a damp cotton cloth on a regular basis for ensure optimal performance and battery charging.
- Decide on the appropriate location for your product.
- Avoid installing the product in a corrosive environment.
- Never put anything on the product or hang anything on any part of this product.
- Be careful not to drill into any pipes or electrical cables when drilling the pilot holes.
- Do not look directly at the LED lights.

SAFETY INFORMATION

WARNING

This equipment has been tested and found to comply with limits for a Class B digital device, pursuant to Part 15 of the FCC Rules. These limits are designed to provide reasonable protection against harmful interference in a residential installation.

This equipment generates, uses and can radiate radio frequency energy and, if not installed and used in accordance with the instructions, may cause harmful interference to radio communications.

However, there is no guarantee that interference will not occur in a particular installation. If this equipment does cause harmful interference to radio or television reception, which can be determined by turning the equipment off and on, the user is encouraged to try to correct the interference by one or more of the following measures:

- Reorient or relocate the receiving antenna.
- Increase the separation between the equipment and the receiver.
- Connect the equipment into an outlet on a circuit different from that to which the receiver is connected.
- Consult the dealer or an experienced radio/TV technician for help.

CAUTION

Battery Caution & Disposal Information:

- Do not mix old and new batteries.
- Do not mix Alkaline, Standard (Carbon-Zinc) or Rechargeable (Ni-Cad, NiMH, or Lithium) batteries.
- Do not dispose of batteries in fire.
- Batteries should be recycled or disposed of as per local guidelines.

PREPARATION

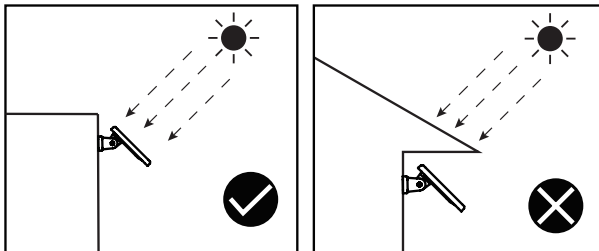
Before beginning assembly of product, make sure all parts are present. Compare parts with package contents list and hardware contents list. If any part is missing or damaged, do not attempt to assemble the product.

Estimated Assembly Time: 15 minutes

Tools Required for Assembly (not included): Safety Goggles, Phillips Screwdriver, Electric Drill, Ladder.

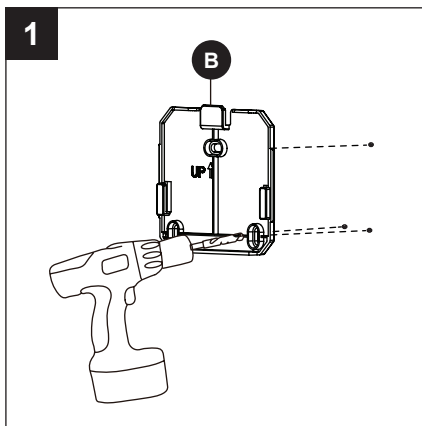
Select a location

Be sure choose a place to install the light where it can receive enough sunshine.



INSTALLATION INSTRUCTIONS

1. Drill holes for light fixture installation.

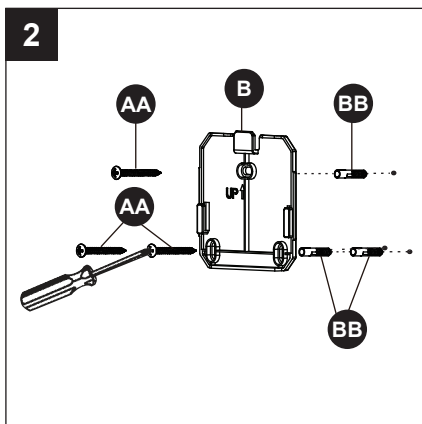


2. Install wall bracket. Follow UP arrow position.

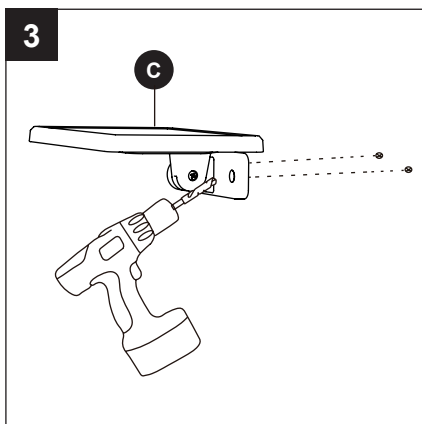
Hardware Used

AA M4 x 30 mm Screw x 3

BB M4 x 30 mm Screw plug x 3



3. Drill holes for solar panel installation.



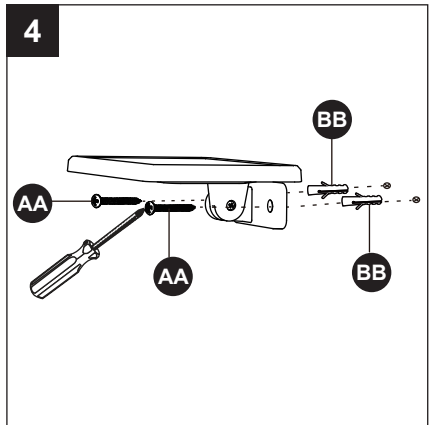
INSTALLATION INSTRUCTIONS

4. Install solar panel.

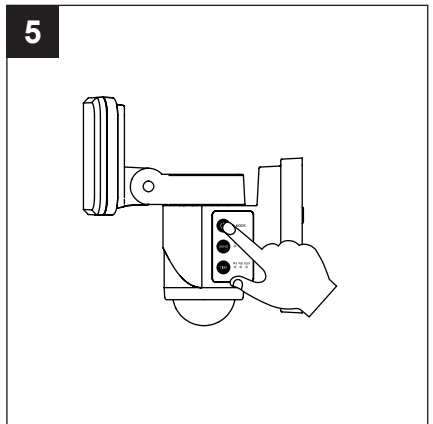
Hardware Used

AA M4 x 30 mm Screw x 2

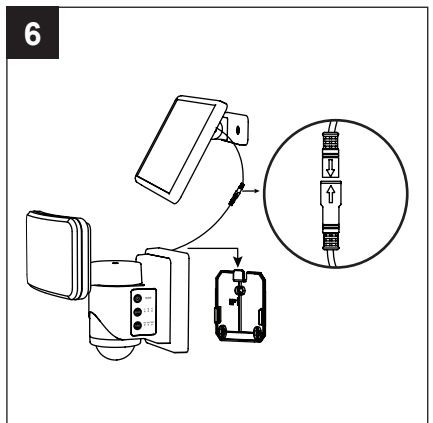
BB M4 x 30 mm Screw plug x 2



5. Switch ON.

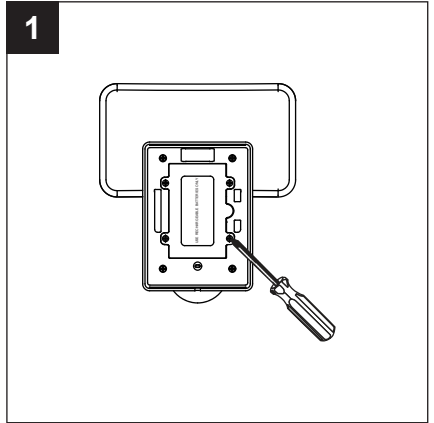


6. Install light and connect cables.

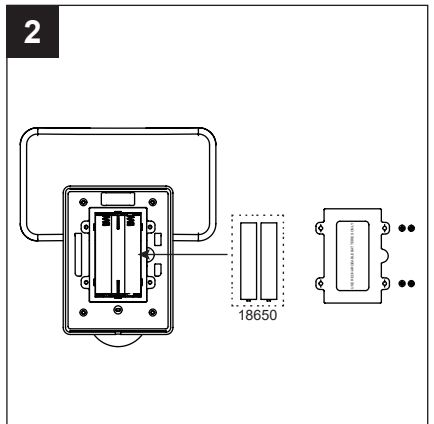


BATTERY REPLACEMENT

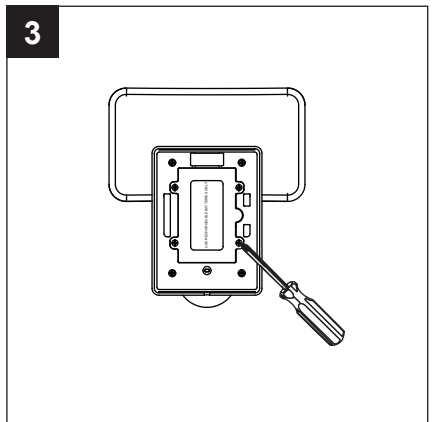
1. The rechargeable lithium ion batteries should last several years, but if they will no longer recharge, here are the instructions for replacing them.
Open battery lid.



2. Install 2 new Li-ion 2000mAh/3.7V/IMR18650 batteries. Make sure polarity is correct.

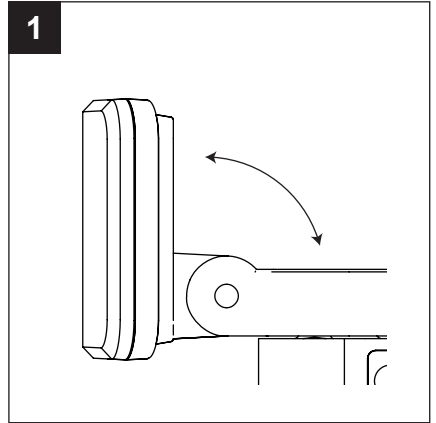


3. Reinstall the battery lid.



OPERATING INSTRUCTIONS

1. The lamp head is tiltable.
The light turns ON and rotates to track movement.



2. Functional control

Mode

Cycle switching between high brightness, low brightness, and OFF.

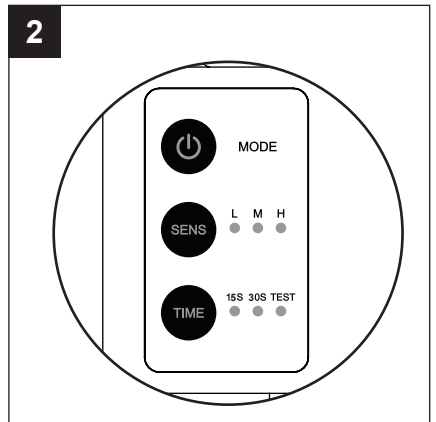
SENS

Adjust the sensing distance. (L) Low is near, (M) Med is far, (H) Hi is the farthest.

TIME

Cycle switching of lighting time: 15S, 30S, TEST. TEST allows you to test the sensor coverage day and night

The indicator light recognition time is 20 seconds, and it will automatically turn off after 20 seconds without pressing.



CARE AND MAINTENANCE

- The light and solar panel should be cleaned with a damp cotton cloth regularly to ensure optimal performance.

TROUBLESHOOTING

PROBLEM	POSSIBLE CAUSE	CORRECTIVE ACTION
The fixture does not light.	The power is off.	Check the MODE button and make sure it is switched ON.
	The rechargeable batteries are dead.	Make sure panel is facing the sun and connections are good, so batteries can recharge.
	Solar panel is not connected to the light fixture.	Make sure solar panel and light fixture are properly connected.

WARRANTY

This is a "Limited Warranty" which gives you specific legal rights. You may also have other rights which vary from state to state and province to province.

For a period of three years from the date of purchase, any malfunction caused by factory defective parts or workmanship will be corrected at no charge to you. To obtain a refund or a replacement, return the product to the place of purchase.

NOT COVERED: Repair service, adjustment and calibration due to misuse, abuse or negligence. Unauthorized service or modification of the product or of any furnished component will void this warranty. This warranty does not include reimbursement for inconvenience, installation, setup time, loss or use or unauthorized service.

This warranty covers only IQ America products and is not extended to other equipment and components that a customer uses in conjunction with our products.

This warranty is expressly in lieu of all other warranties, express or implied, including any warranty, representation or condition of merchant ability of that the products are fit for any particular purpose or use, and specifically in lieu of all special, indirect or incidental or consequential damages.

Repair or replacement shall be the sole remedy of the customer and there shall be no liability on the part of IQ America for any special, indirect, incidental or consequential damages, including but not limited to any loss of business or profit, whether or not foreseeable. Some states or provinces do not allow the exclusion or limitation of incidental or consequential damages, so the above limitation or exclusion may not apply to you. Retain receipt for warranty claims.