

RVH6120

UNDERMOUNT BATHROOM SINK

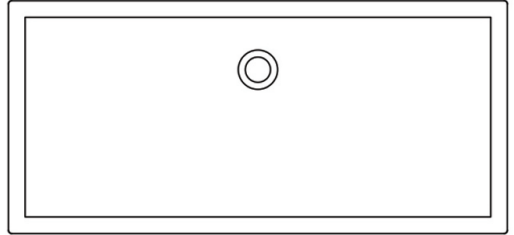
RUVATI[®]
SPECIFICATION SHEET

MATERIAL

- True 16 Gauge Thickness
- Premium T304 Grade Stainless Steel
- 18/10 Chromium/Nickel Content

FEATURES

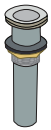
- Heavy duty sound guard padding and undercoating
- D-shaped curved bowl for perfect water drainage
- Push pop-up drain included



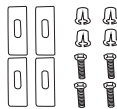
COLOR OPTIONS

- RVH6120ST: Brushed Stainless Steel
- RVH6120BL: Gunmetal Black Stainless Steel
- RVH6120GG: Satin Gold Stainless Steel

IN THE BOX



Popup Drain
[RVA5103 ST/BL/GG]



Mounting Clips
[RVA11031]



Cut-out
Template

NOMINAL DIMENSIONS

Exterior: 30" (wide) x 14" (front-to-back)
Interior Bowl: 28" (wide) x 12" (front-to-back)
Bowl Depth: 6"
Minimum Cabinet Size: 33" wide
Drain Hole Size: 1-3/4"

Installation Type:

Undermount

Drain Location:

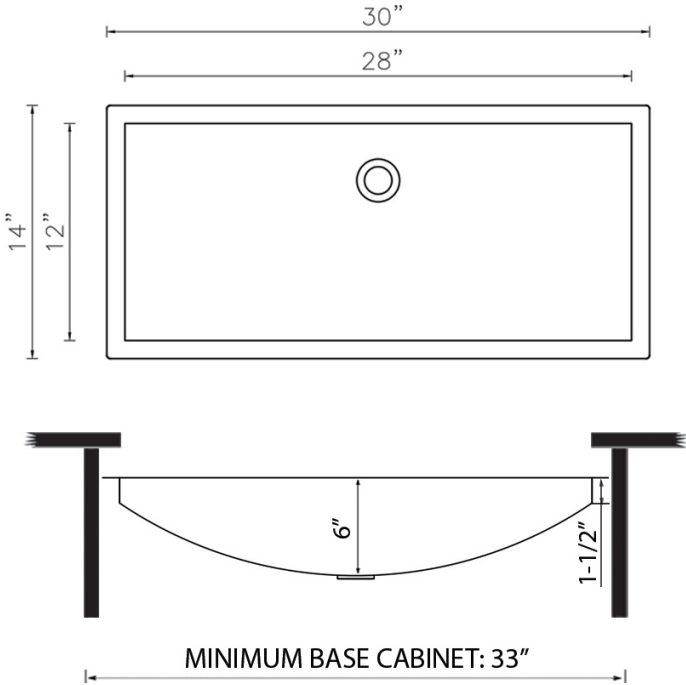
Rear Center

RUVATI USA
www.ruvati.com

Phone: 1.855.478.8284
Email: support@ruvati.com

OPTIONAL ACCESSORIES (SOLD SEPARATELY)

DIMENSIONS



Register your product at www.ruvati.com/register.