



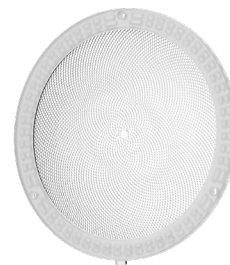
OLB LED Floodlight

One Fixture – Two Distributions – Multiple Possibilities

Signage • Flagpoles • Landscaping

Eliminates jobsite complexity and delivers dependable, adaptable illumination.

- Dual layered IK08 impact resistant polycarbonate lens
- 5x5 (50°) flood and 3x3 (20°) spot distributions cover all accent lighting installations
- Switch color temperatures and dial in brightness with discreet toggle switches
- Integrated dusk to dawn photocell – avoid installing additional timers or switches
- Multiple mountings in the box to simplify installation



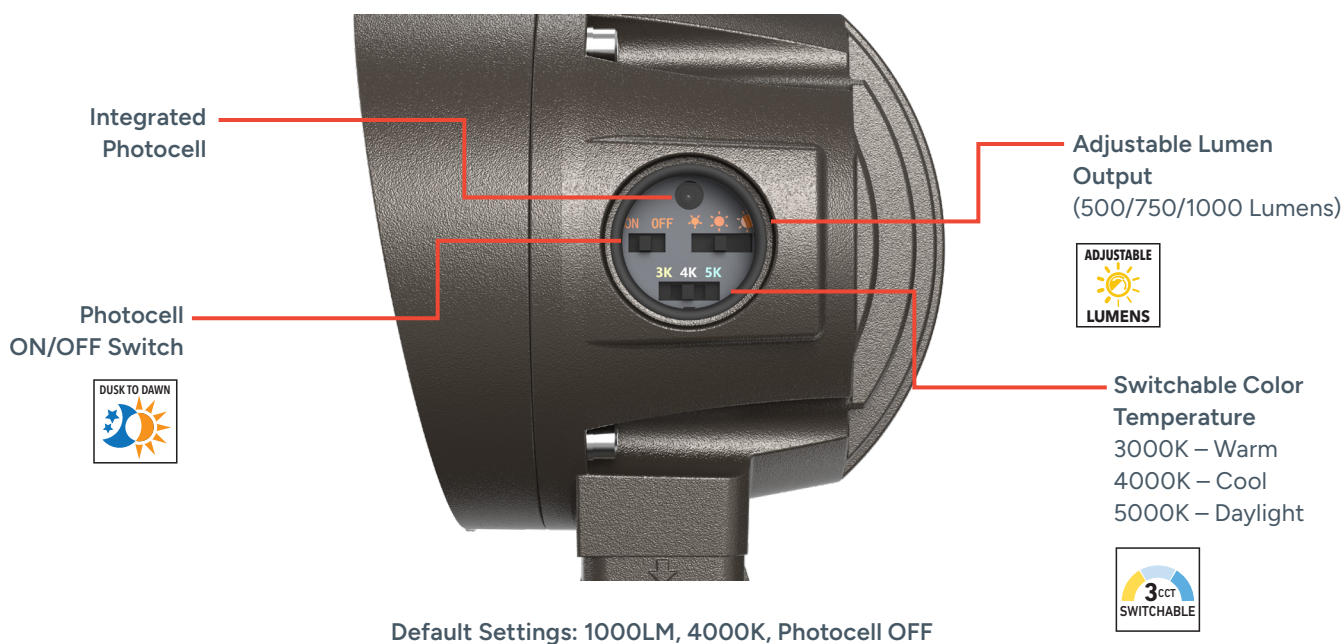
5x5 (50°) Flood

Dual Layered Lens



3x3 (20°) Spot





Installation Made Easy



1/2" NPS Threaded Knuckle



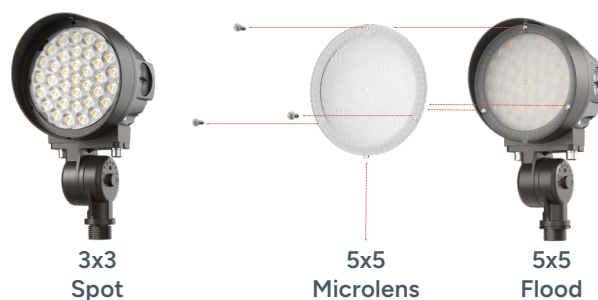
Stake Mount



Cover Plate

Adjustable Beam, Perfect Coverage

- Field-changeable beam distributions – 5x5 (50°) & 3x3 (20°)
- Dual-lens optical system
Out of the box 5x5 distribution with both lenses installed. Removing outer microlens creates focused 3x3 beam



Screws do not need to be replaced