

# ASSEMBLING & INSTALLATION INSTRUCTIONS PRODUCT# 2221 OUTDOOR WALL MOUNT LIGHT FIXTURE

**WARNING! SHUT POWER OFF AT FUSE OR CIRCUIT BREAKER .**

## MOUNTING THE FIXTURE

### Installation (see fig.1)

1. Shut off the power at the circuit breaker and remove old fixture, including the single bar.
2. Thread the pipe screw part way into the center hole of the single bar and secure with hex nut.
3. Attach the single bar to the junction box using two box screws. The side of the single bar marked "GND" must face out.
4. Follow wiring instructions carefully (see fig.2)
5. Place the lamp body(A) over the nipple then tighten it with the ball nut (B).
6. Install the light bulbs in accordance with the fixture's specifications. **DO NOT EXCEED THE MAXIMUM WATTAGE RATING!**
7. **With silicone caulking compound,caulk completely around where back of cover meets with the wall surface to prevent water from seeping into outlet box.**

### Wiring (see fig.2)

1. Connect the electrical wires as follows. Connect the black wire from the fixture to the black house (hot) Wire. Connect the white wire from the fixture to the white (neutral) house wire. Make sure all wire nuts are secured. You may wrap the connections with electrical tape.If your outlet box has a ground wire (green or bare copper) connect fixture's ground wire to it. Otherwise attach the bare copper fixture wire to the green ground screw on the single bar.
2. Tuck the wire connections neatly into the wall junction box.

Fig.1

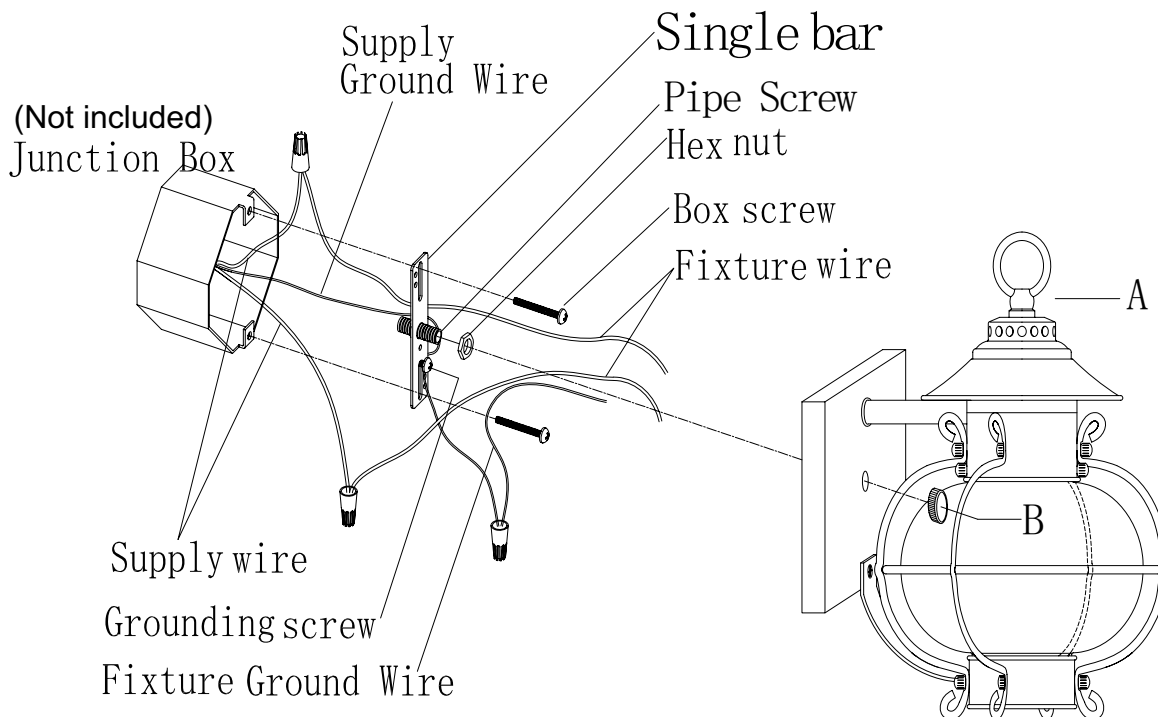


Fig.2

