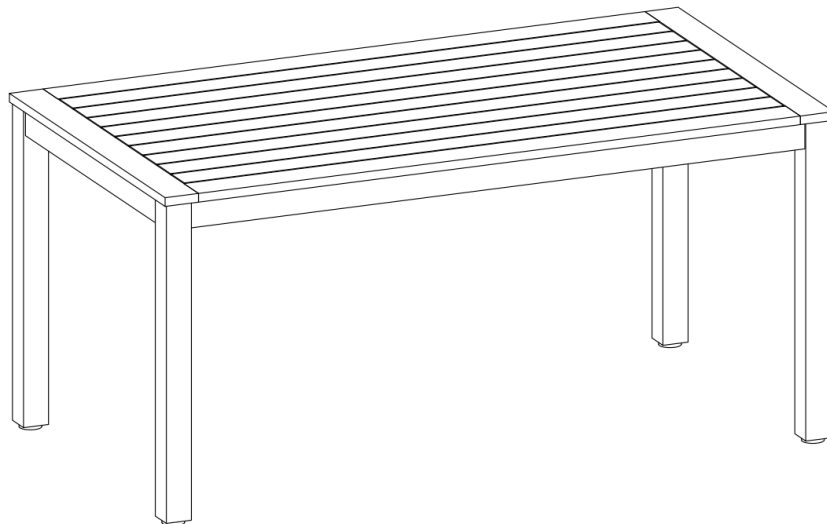


# **ASSEMBLY INSTRUCTIONS**

## **Dining Set - Table**

**WF321989**

-----



### **MAINTAINANCE INSTRUCTIONS**

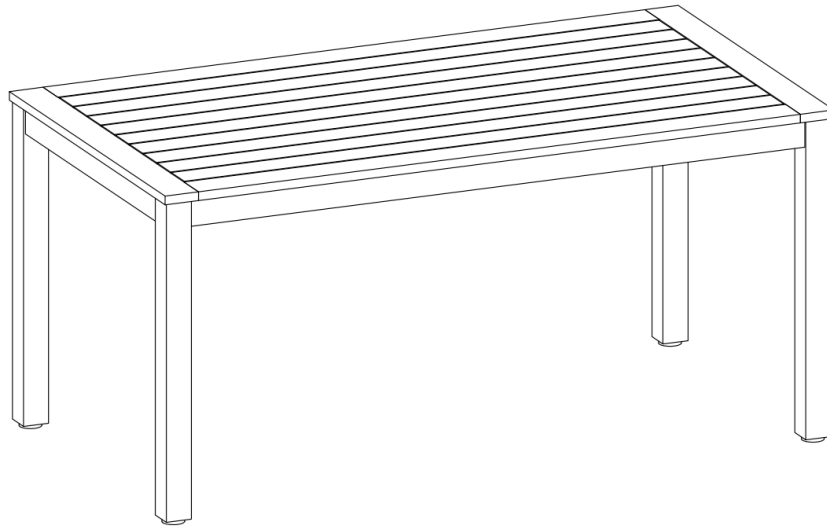
#### **TO STORE:**

Place unit in its box or safety dry and cool place. Avoid putting chair in contact with sharp edges or pointed objects which might cut or puncture the fabric. Do not wrap attached power cord around the unit.

Do not pull the unit by power cord.

If you have any questions, please feel free to contact us.  
Email: [lowesteam@animalife.com](mailto:lowesteam@animalife.com)

## **ASSEMBLY INSTRUCTIONS**

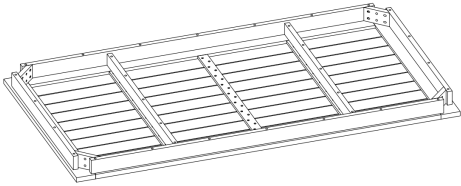



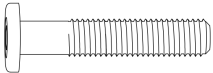


### **GENERAL ASSEMBLY INFORMATION GUIDE**

Please read the following instructions prior to assembling this product:

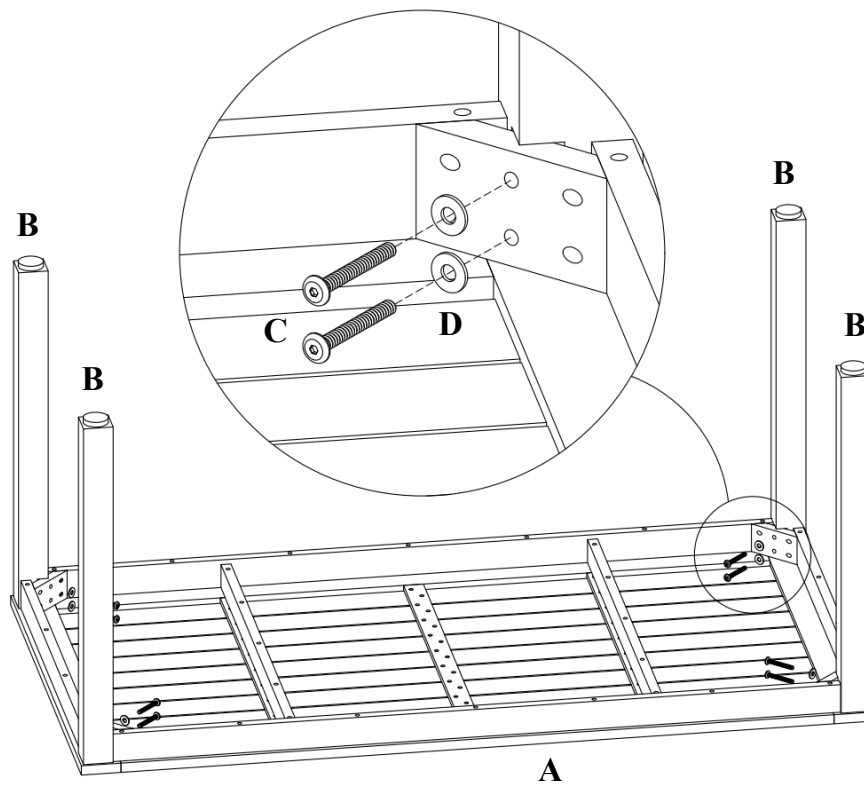
1. To avoid damage, assemble this product on a non-abrasive surface such as carpet.
2. Make sure all bolts are tightly fastened before use.
3. For home use or light commercial use only.
4. Please make sure you have all parts before assembly.

## PARTS LIST

<b>A</b> Table Top	<b>B</b> Legs
	
QTY 1 pc	QTY 4 pcs

<b>C</b> Bolt M8x60	<b>D</b> Washer M8	<b>E</b> Allen wrench
		
QTY 8 pcs	QTY 8 pcs	QTY 1 pc

- ① Turn upside down the table top (A) onto a flat surface
- ② Use an Allen Key (E) to tighten the bolt (C) and the washer (D) to fix the table leg (B) as shown in the picture



- ③ Turn the table over.

