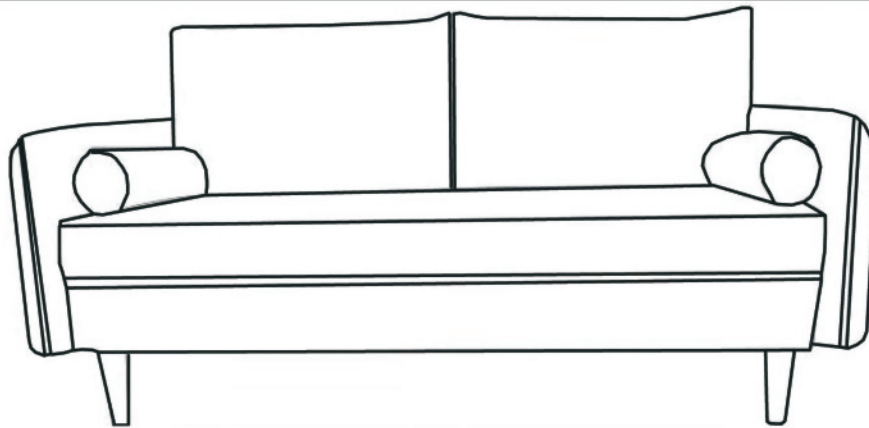












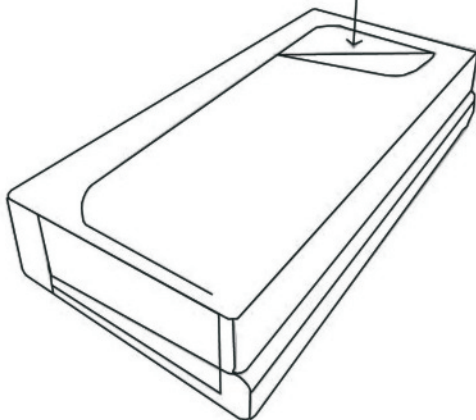
ASSEMBLY INSTRUCTION 7001



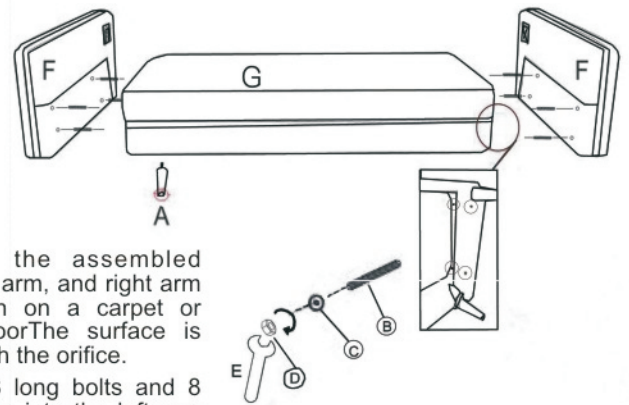
 A X4 Wooden feet	 B X8 stud	 C X8 gasket	 D X8 nut	 E x1 Outer hexagon wrench
 F x2 armrest	 G x1 seat frame	 H x1 backrest	 I x2 Cushion	 J x2 pillow

STEP 1

Feet, Cushion And Mounting Accessories

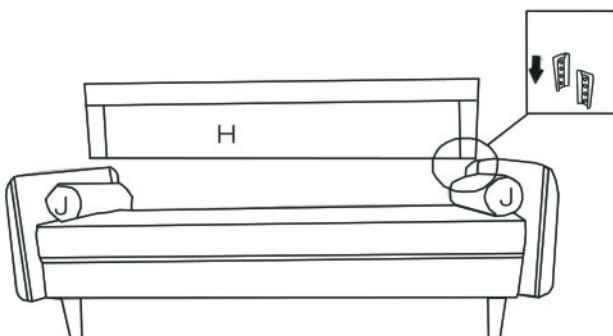


STEP 2



1. Place the assembled couch, left arm, and right arm back down on a carpet or padded floor. The surface is aligned with the orifice.
2. Insert 8 long bolts and 8 flat washers into the left arm pre-drilled holes. The right arm passes through a pre-drilled hole on the inside of the bottom of the sofa seat and is tightened until it no longer moves as shown.
3. Tighten the nut with an outer hexagon wrench until it is firm.

STEP 3



STEP 4

