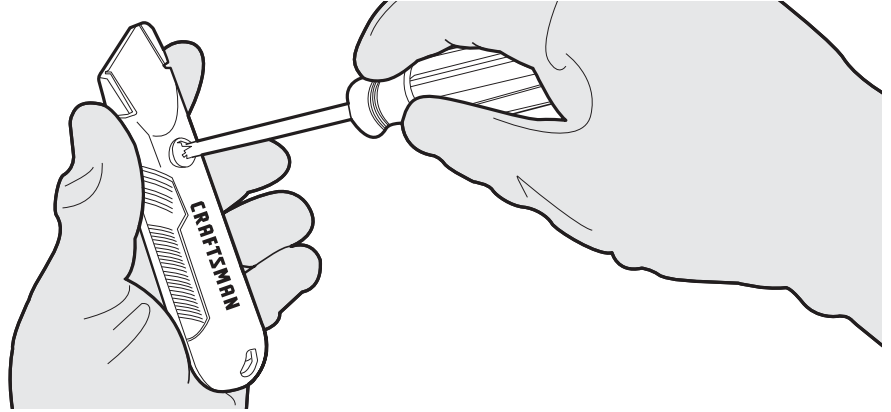


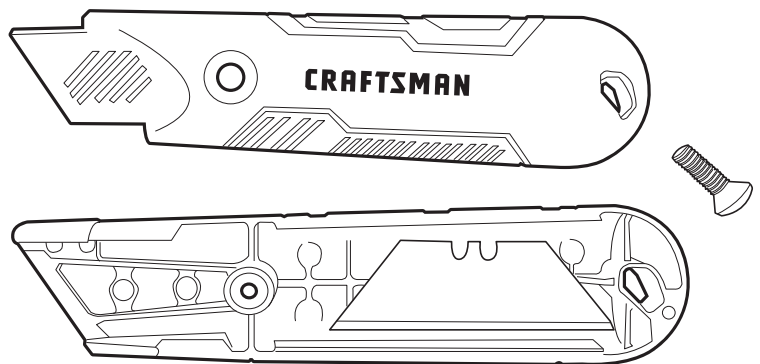
1

USE PHILLIPS HEAD SCREWDRIVER TO UNSCREW KNIFE



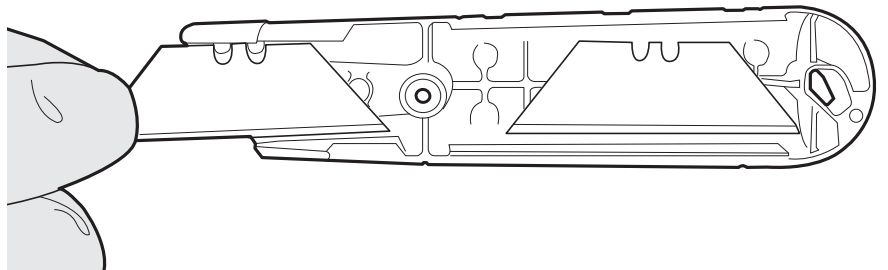
2

REMOVE TOP HALF OF KNIFE



3

INSERT NEW BLADE BY LINING UP WITH GROOVES IN NOSE OF KNIFE



4

REPLACE TOP HALF OF KNIFE AND USE SCREWDRIVER TO SCREW KNIFE HALVES TOGETHER

