

# DVG45T3400W

SAMSUNG

## Samsung 7.4 cu. ft. Capacity Top Load Electric Dryer



### Signature Features

#### Sensor Dry

- Helps prevent overdrying for optimal fabric care.

#### Large 7.4 cu. ft. Capacity

- Fewer loads, less time in the laundry room, and more time doing the things you love.

#### 10 Preset Drying Cycles

- More cycles to cover almost every drying need for your active family.

### Available Color



White



Sensor Dry



Large 7.4 cu. ft. Capacity

### Features

- Sensor Dry
- Large 7.4 cu. ft. Capacity
- 10 Preset Drying Cycles
- Reversible Dryer Door
- Smart Care\*
- 7 Additional Drying Options
- 4 Temperature Levels
- Wrinkle Prevent
- 3-Way Venting
- Powder Coat Interior
- LED Display: Ice Blue

### Convenience

- Child Lock
- Filter Check Indicator

### Electrical Requirement:

120V / 60Hz  
15 Amps

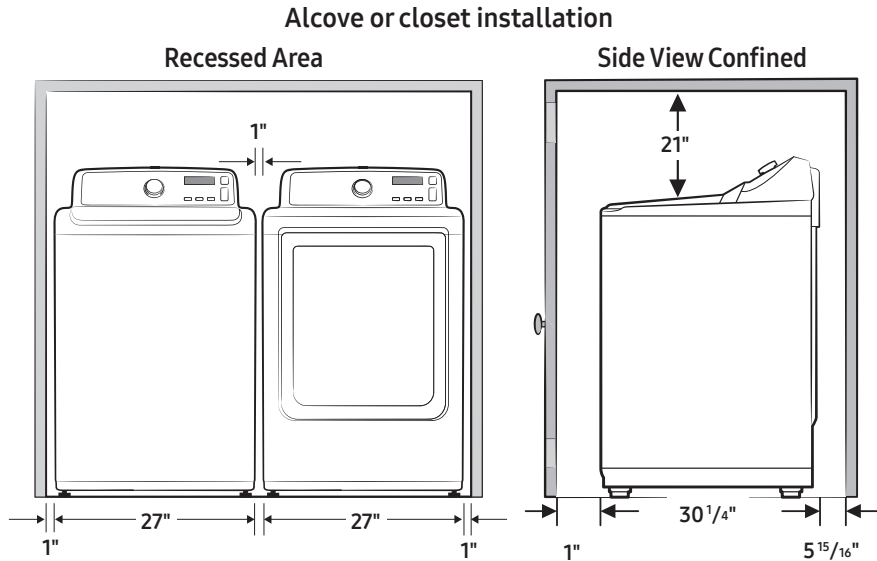
\*Requires Samsung Smart Washer/Dryer App. The Samsung Smart Washer/Dryer app supports Android OS 2.3.6 or later and iOS 3 or later for iPhone models. Smart Washer/Dryer app available in App Store and Play Store.

# DVG45T3400W

# SAMSUNG

## Samsung 7.4 cu. ft. Capacity Top Load Electric Dryer

### Installation Specifications



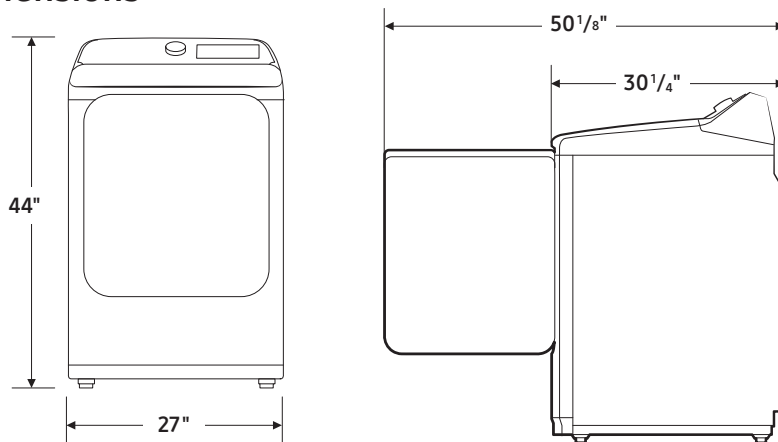
#### Minimum clearances for closets and alcoves:

- Sides – 1"
- Top – 21"
- Rear – 5<sup>15</sup>/<sub>16</sub>"
- Closet Front – 1"

If both the washer and a dryer are installed in the same location, the front of the alcove or closet must have two unobstructed air openings for a combined minimum total area of 72-inch<sup>2</sup>. This clearance requirement is applicable for washer and dryer pair installation.

For washer's clearance requirement, see the washer's user manual.

### Dimensions



### 3-Way Venting

#### 10 Preset Drying Cycles:

Normal, Heavy Duty, Permanent Press, Bedding, Delicates, Sanitize, Time Dry, Air Fluff, Quick Dry, Wrinkle Release

#### 7 Additional Drying Options:

Mixed Load Bell, Wrinkle Prevent, Adjust Time (Up), Adjust Time (Down), Child Lock, Sound On/Off, Smart Care

#### 4 Temperature Levels:

High, Medium, Low, Extra Low

#### 4 Dry Levels:

Very Dry, More Dry, Normal Dry, Damp Dry

#### Warranty

One (1) Year Parts and Labor

#### Product Dimensions & Weight (WxHxD)

Dimensions: 27" x 44" x 30<sup>1</sup>/<sub>4</sub>"

Weight: 110.2 lbs

#### Shipping Dimensions & Weight (WxHxD)

Dimensions: 29<sup>9</sup>/<sub>16</sub>" x 46<sup>7</sup>/<sub>8</sub>" x 31<sup>3</sup>/<sub>16</sub>"

Weight: 119.0 lbs

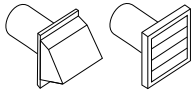
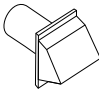
Gas	Model #	UPC Code
White	DVG45T3400W	887276439624
White	DVE45T3400W	887276439617

#### Matching Washer

White	WA45T3400AW	887276440392
-------	-------------	--------------

#### Accessories

Vent Kit	DV-2A	887276146416
----------	-------	--------------

	Recommended	Use only for short-run installation
Weather hood type	 4"	 2.5"
Number of 90° elbows	<b>Rigid</b>	Rigid
0	<b>80 ft.</b>	74 ft.
1	<b>68 ft.</b>	62 ft.
2	<b>57 ft.</b>	51 ft.
3	<b>47 ft.</b>	41 ft.