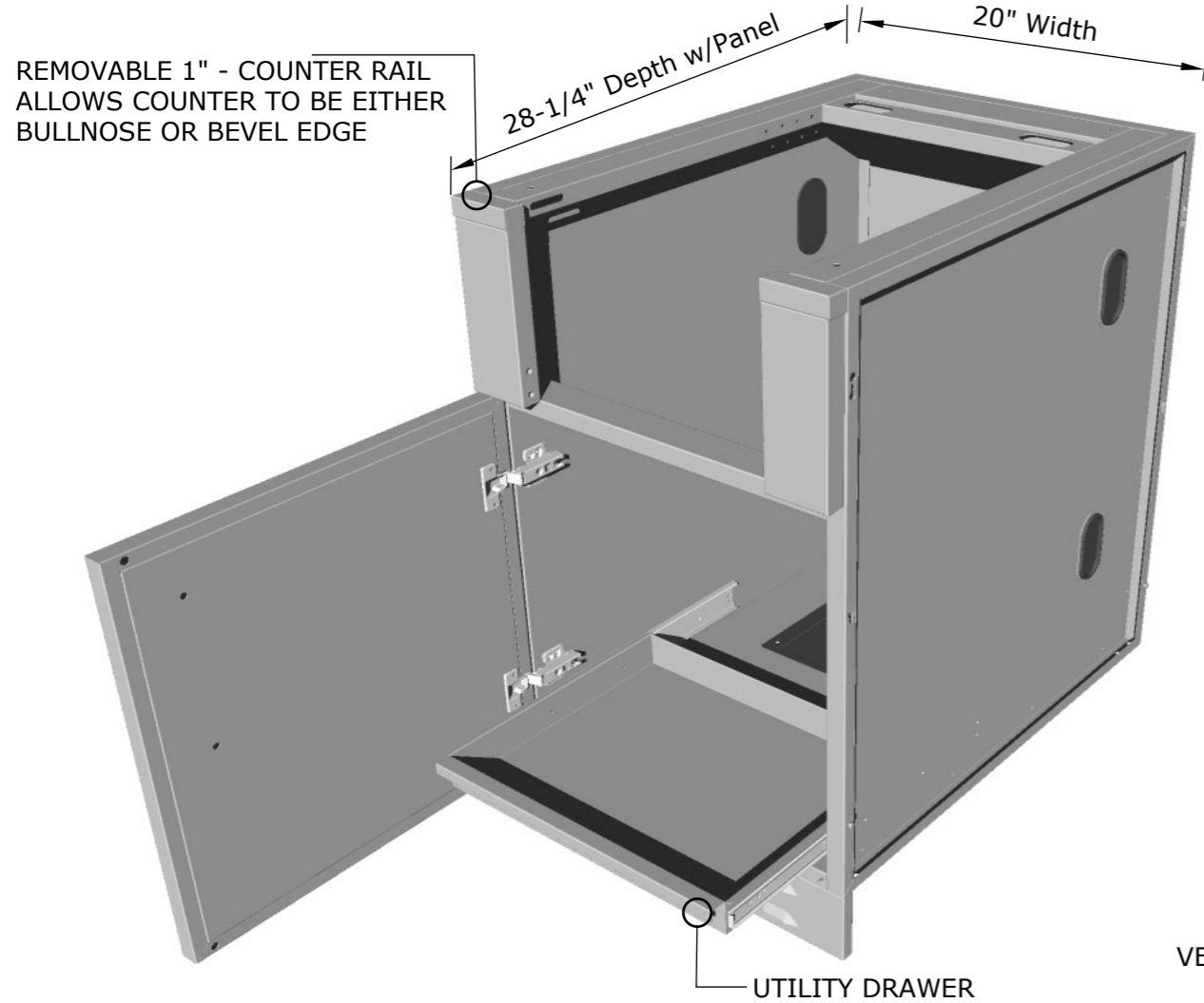
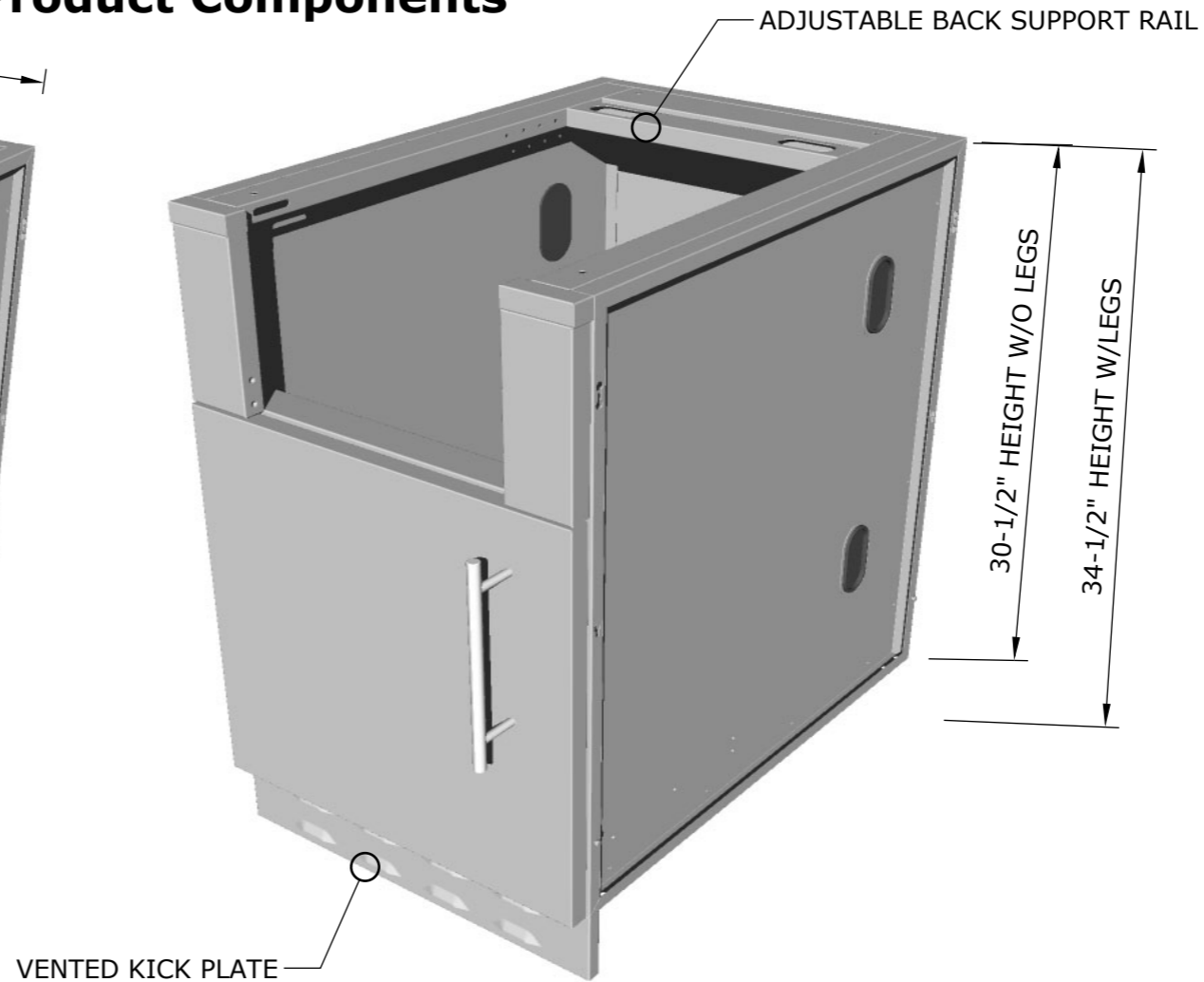


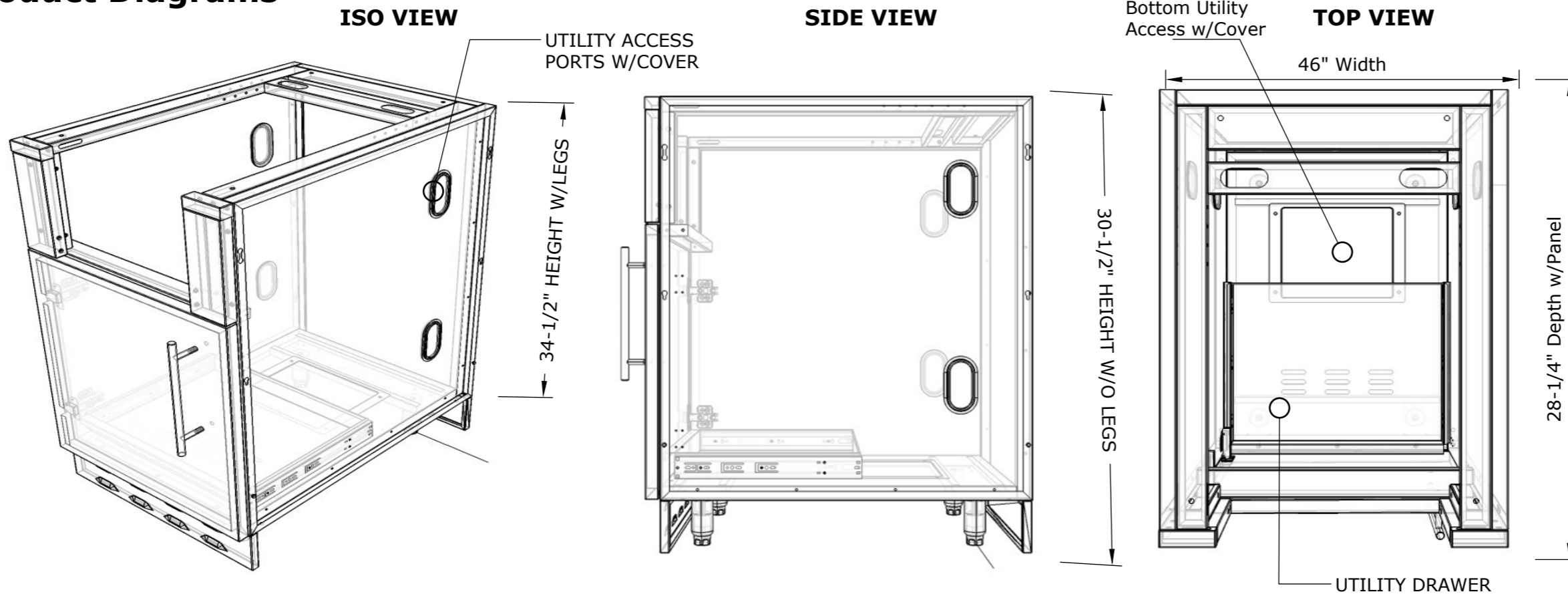
## Product Dimensions



## Product Components



## Product Diagrams



**SUNSTONE METAL PRODUCTS**  
 16004 CENTRAL COMMERCE DR.  
 PFLUGERVILLE, TEXAS 78660  
 Tel: 888.934.9449  
 Bus: 512.487.5116  
 Fax: 512.487.7016

### PRODUCT

20" Appliance Cabinet w/ Left Swing Door for Item No.2CSB

**Item No. SAC20CSDL**

### DESCRIPTION

20" Appliance Cabinet w/ Left Swing door for Item No.2CSB.

- Lifetime Structure Warranty
- 304 Stainless Steel Structure
- 304 SS Rod Handles
- Front & Back Kick-Plates
- Easy Pin-Lock Installation
- Soft-Close Drawer Tracks
- Covered Access Ports
- Adjustable Peg-Legs
- Optional Wheel Casters

### INCLUDED COMPONENTS

- Front Vented Kick Plate
- Back Solid Kick Plate
- (4) Adjustable Peg Legs
- Trim-Kit - SCC20CTK3.25

### PRODUCT DIMENSIONS

20"W x 28-1/4"D (w/Doors) x 34-1/2"H (w/Legs) or 30-1/2"H (no Legs) or Upto 36" Max Adjustable Height

### INSERTABLE PRODUCTS

Cocktail Pro - B-CS14  
 Cocktail Station - A-CS14  
 Double Side Burner - 2CSB

(See next page Trim Kit Guide for other insertable product Brands)

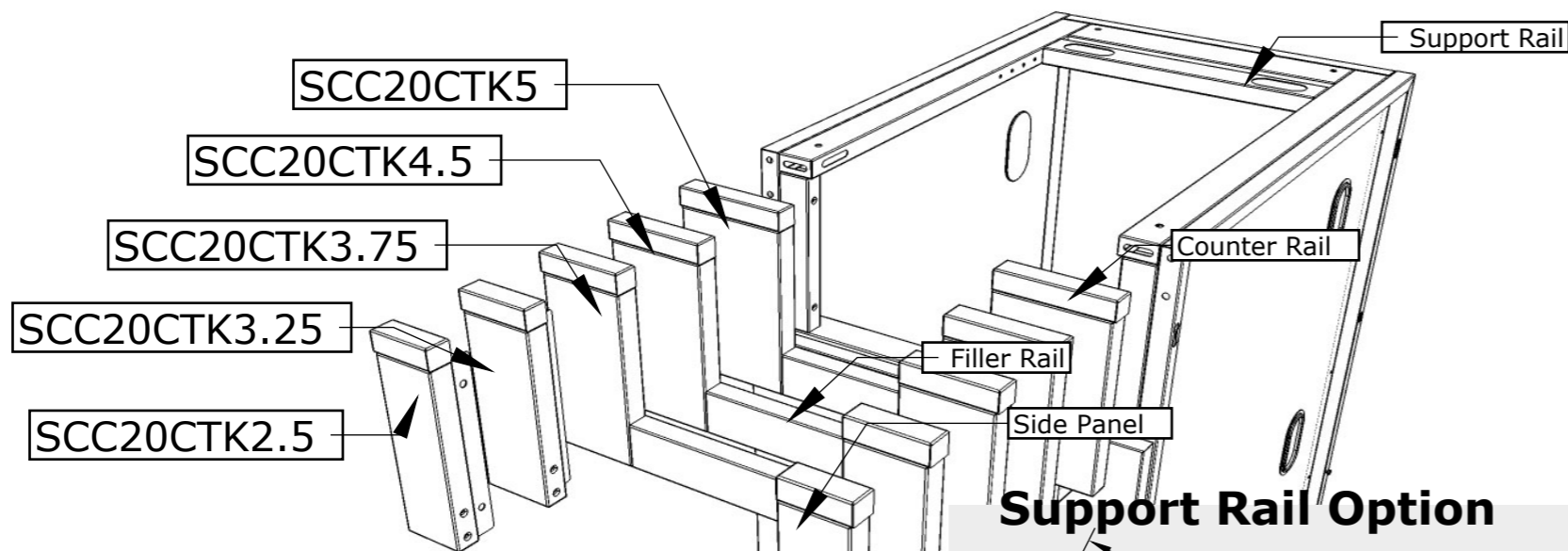
### MATERIAL SPECS

304 Stainless Steel entire structure, 18 Gauge for Door Panel, 18 Gauge for Cabinet Box, 18 Gauge for Shelf, Handles are made of Solid 304 Stainless Steel Bar.

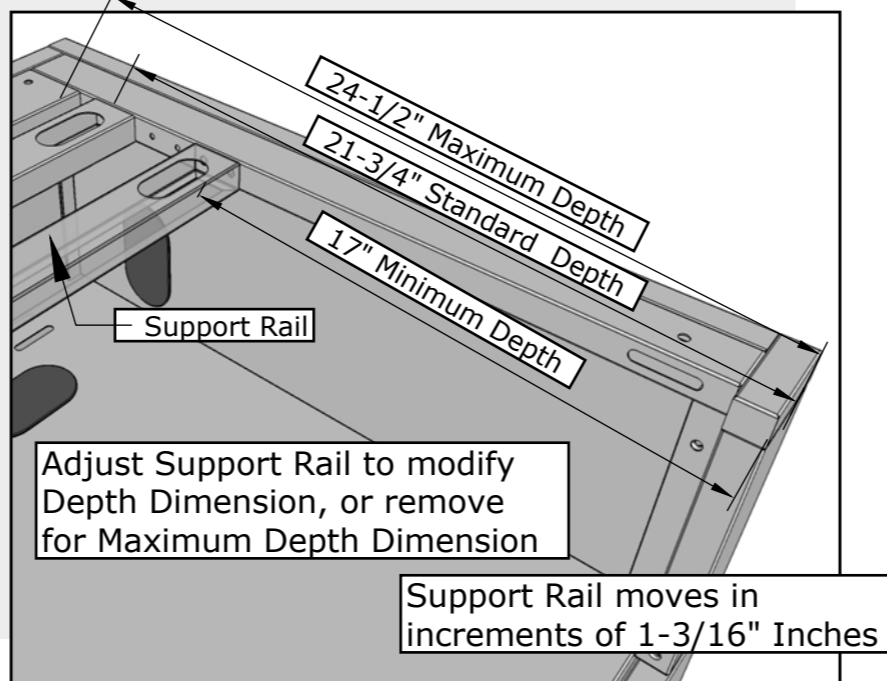
# SAC20CSDL TRIM-KIT

Disclaimer: The trademarks used in the "Product Option" column below belong to their respective owners who do not sponsor nor are they affiliated with Sunstone Metal Products, L.L.C. The specific product Cut-Out Dimensions have not been directly confirmed by any Sunstone Metal Products LLC, representative or employee. Use own discretion to confirm exact product fit.

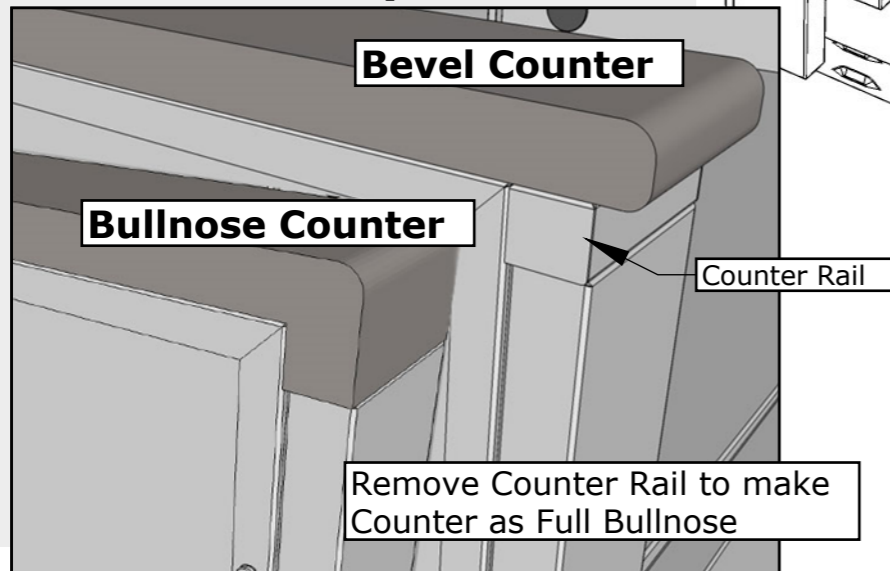
Model Number	Sleeve Cut-Out	Product Option
<b>SCC20CTK2.5</b>	14-1/2" Width x 10-1/4" Height x 24-1/2" Maximum Depth	
<b>SCC20CTK3.25</b>	13-1/2" Width x 10-1/4" Height x 24-1/2" Maximum Depth	<b>Sunstone® Cocktail Station, Sunstone® Cocktail Pro, Alfresco® Double Burner</b>
<b>SCC20CTK3.75</b>	12-3/8" Width x 8" Height w/Rail or 10-1/4" Height wo/Rail x 24-1/2" Maximum Depth	<b>Sunstone® Double Burner, Double Burners for - RCS®, Lynx®, DCS®, Alfresco®, Luxor®, Cal-Flame® Double Burner, Cal-Flame® Cocktail Center, Coyote® Double Burner</b>
<b>SCC20CTK4.5</b>	11" Width x 8" Height w/Rail or 10-1/4" Height wo/Rail x 24-1/2" Maximum Depth	<b>Steele® Side Burner</b>
<b>SCC20CTK5</b>	9-3/4" Width x 8" Height w/Rail or 10-1/4" Height wo/Rail x 24-1/2" Maximum Depth	



## Support Rail Option



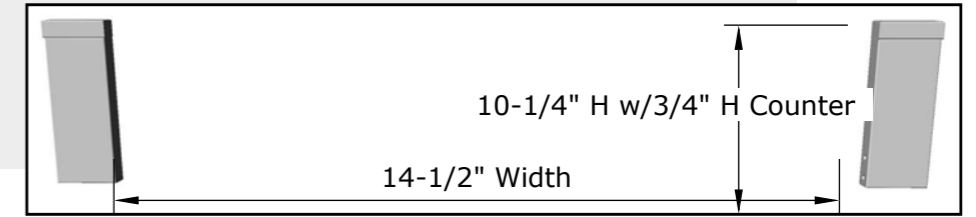
## Counter Rail Option



# Trim-Kit Sleeve Dimensions

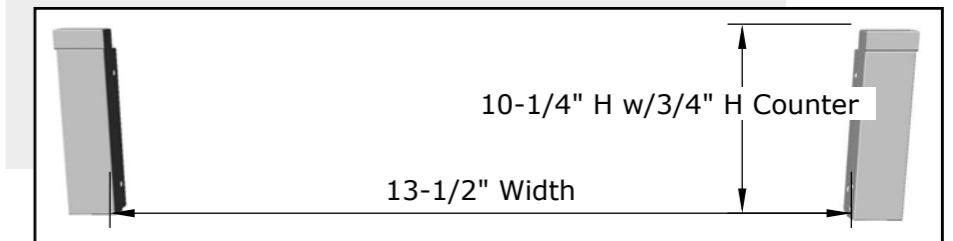
Compatible with Cut-Out Dimensions between 9-3/4" to 14-1/2" Width x 8" to 10-1/4" Height when combined with Counter at 3/4" Height. Additional Height can be adjusted by adding either 1/2" Hardi Backer Board or 3/4" Plywood under Counter.

Item No. SCC20CTK2.5

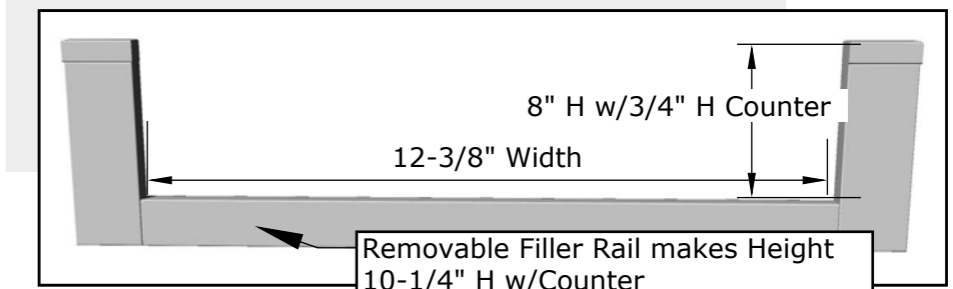


Item No. SCC20CTK3.25

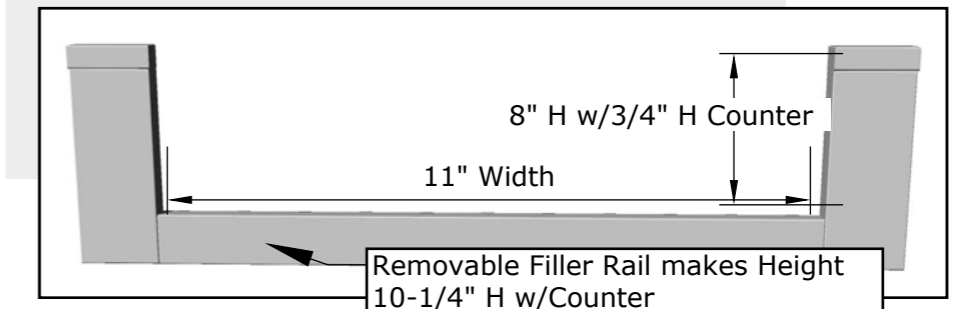
**COMES STANDARD**



Item No. SCC20CTK3.75



Item No. SCC20CTK4.5



Item No. SCC20CTK5

