



AquaSource® is a registered trademark of LF, LLC. All Rights Reserved.

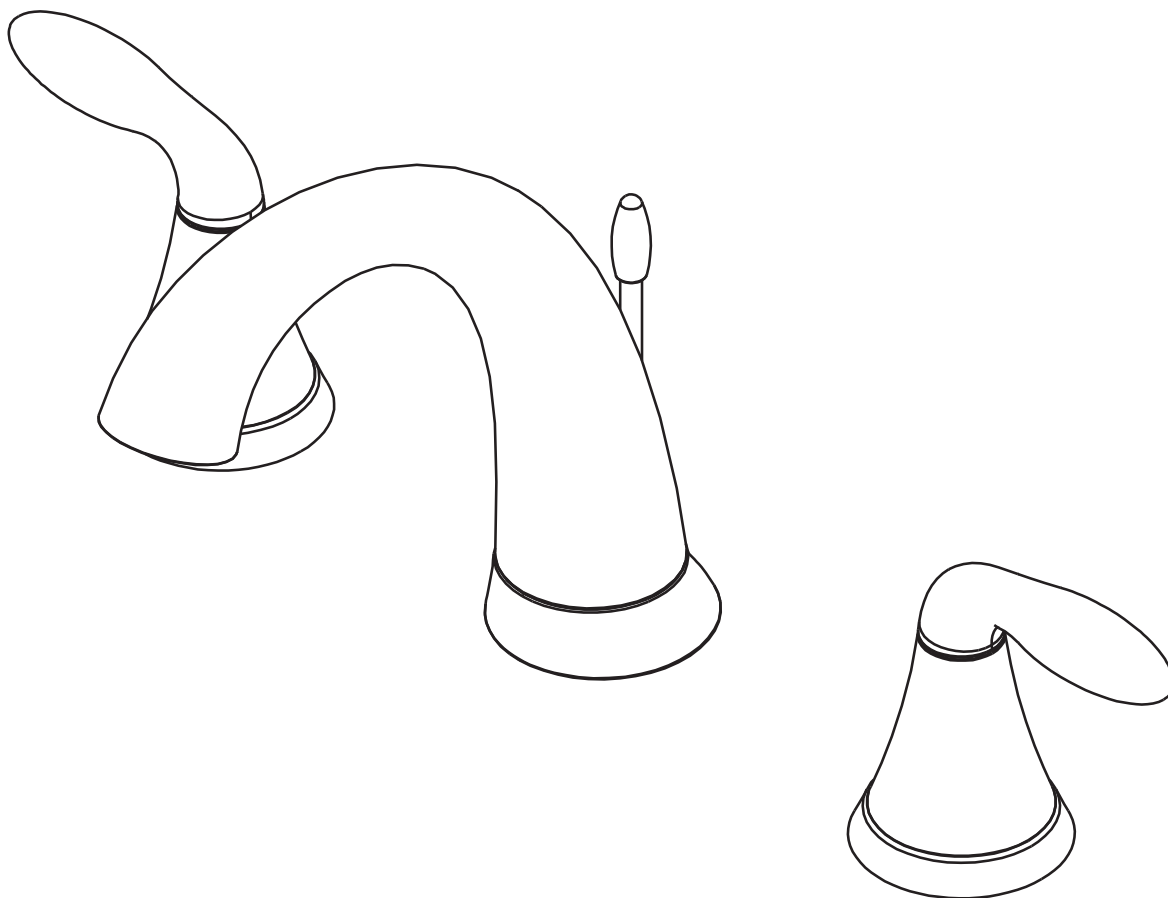
ITEM #0306203

CHROME & BRUSHED NICKEL WIDESPREAD LAVATORY FAUCET

MODEL #FW0B4402BNC

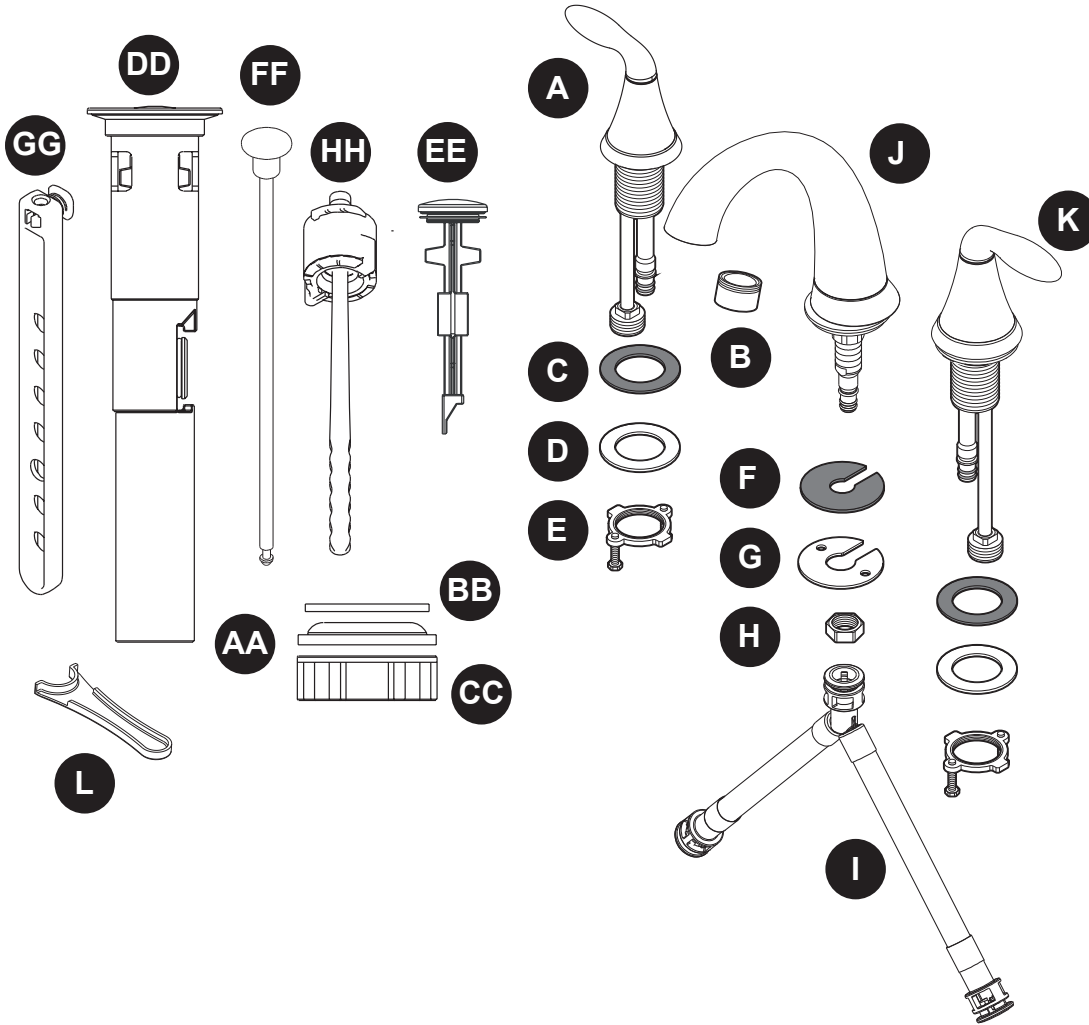
Français p. 1

Español p. 1



Questions, problems, missing parts? Before returning to your retailer, call our customer service department at 1-866-417-7564, 8 a.m. - 8 p.m., EST, Monday - Friday.

PACKAGE CONTENTS



PART	DESCRIPTION	QUANTITY
A	Hot Handle	1
B	Aerator	1
C	Rubber Washer	2
D	Metal Washer	2
E	Guider Washer	2
F	Rubber Spacer	1
G	Metal Spacer	1
H	Lock Nut	1
I	Faucet Connecting Hose	1
J	Faucet Body	1

PART	DESCRIPTION	QUANTITY
K	Cold Handle	1
L	Wrench	1
AA	Rubber Washer	1
BB	Washer	1
CC	Nut	1
DD	Pop-Up Body	1
EE	Main Plunger	1
FF	Lift Rod	1
GG	Lift Rod Strap	1
HH	Ball Rod	1

WARNINGS AND CAUTIONS

- Follow these installation instructions carefully. Proper installation is the installer's responsibility.
 - Failure to follow correct installation procedures can cause the faucet to become loose, which can result in serious injury.
 - The products should be installed by a locally licensed plumber.
 - This product is engineered to meet the EPA Watersense flow requirements. The flow rate is governed by the aerator. If replacement is ever required, be sure to request a Watersense compliant lavatory faucet aerator to retain the water conserving qualities of this product. The max flow rate of this product is 1.5GPM (5.7LPM) at 60PSI.
- **Do not put plumber's putty on threads.**

PREPARATION

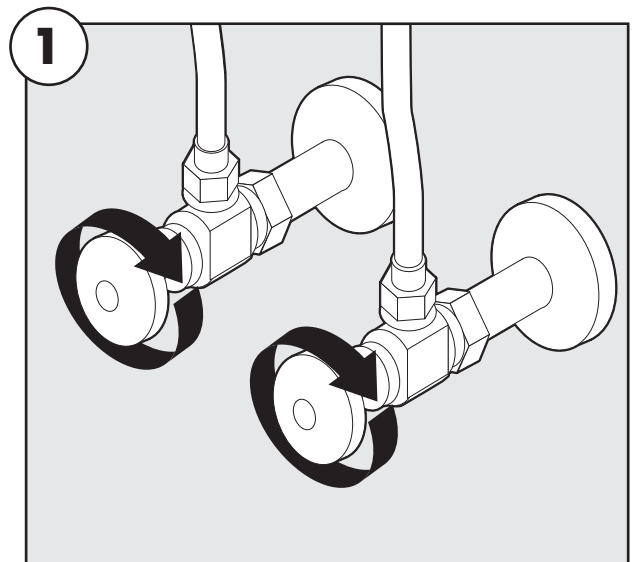
Before beginning assembly, installation or operation of product, make sure all parts are present. Compare parts with package contents list and diagram above. If any part is missing or damaged, do not attempt to assemble, install or operate the product. Contact customer service for replacement parts.

Estimated Assembly Time: 20 minutes

Tools Required for Assembly (not included): Pipe tape, Screwdriver, Adjustable wrench.

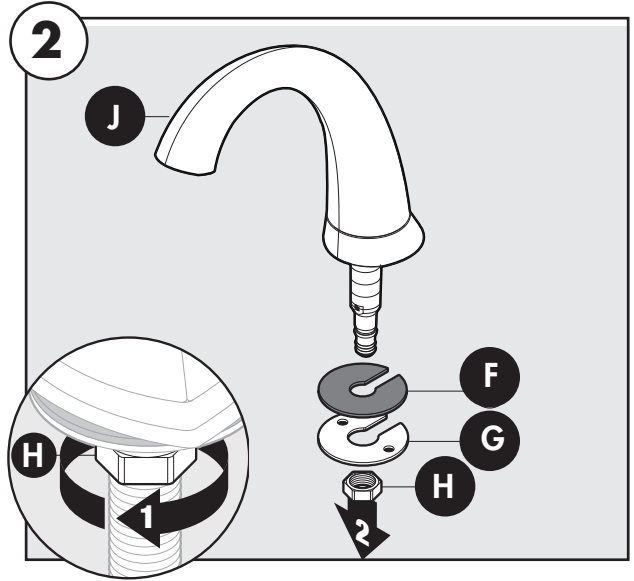
ASSEMBLY INSTRUCTIONS

1. Turn off water supply.

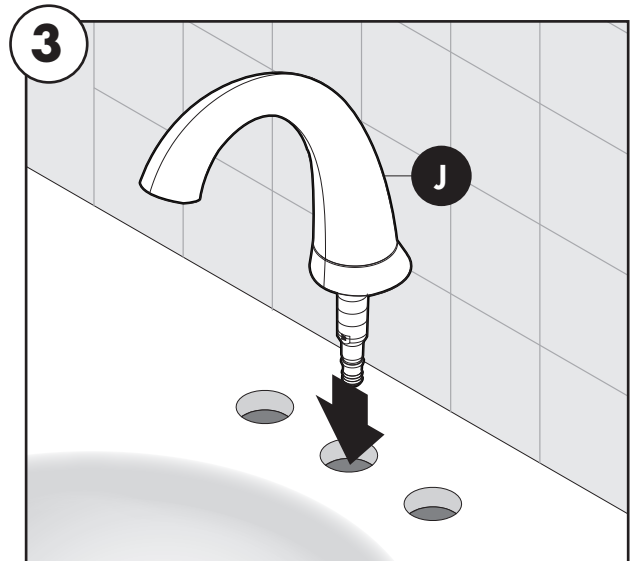


ASSEMBLY INSTRUCTIONS

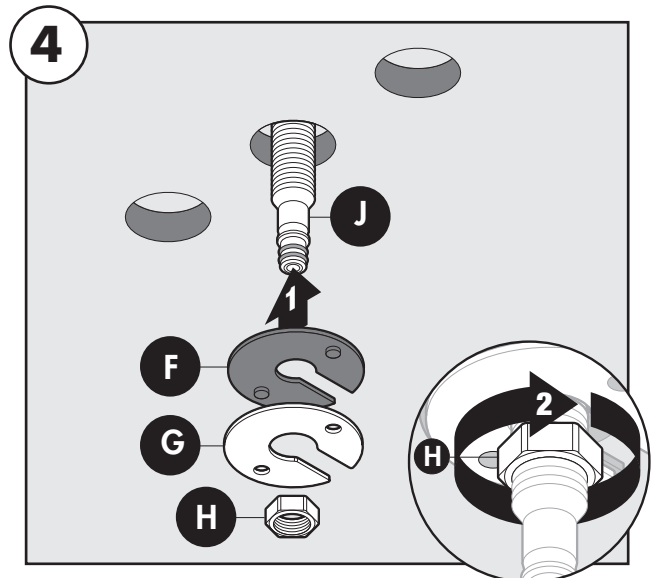
2. Remove hardware from faucet body shank.



3. Place the spout (J) in the appropriate faucet hole of the sink.

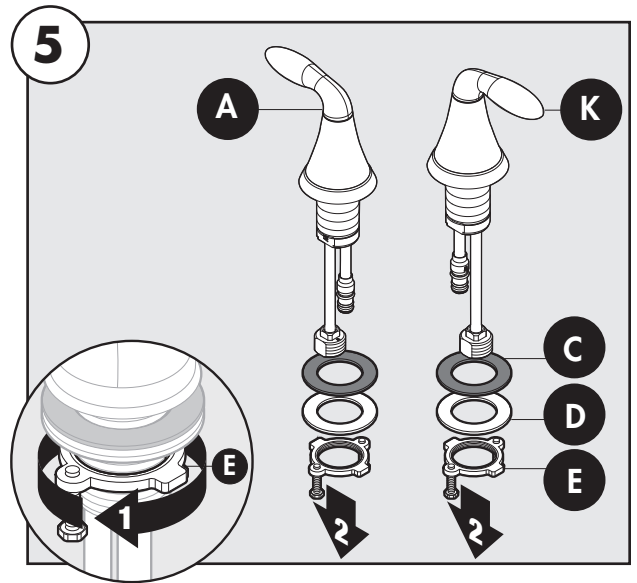


4. Replace spacers and lock nut.

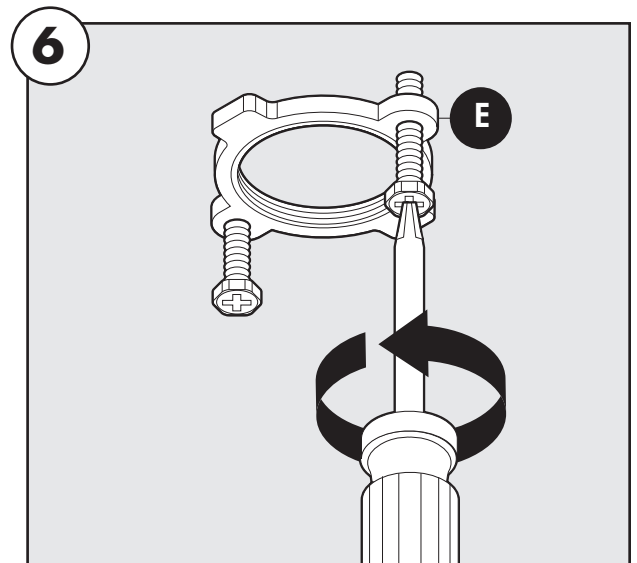


ASSEMBLY INSTRUCTIONS

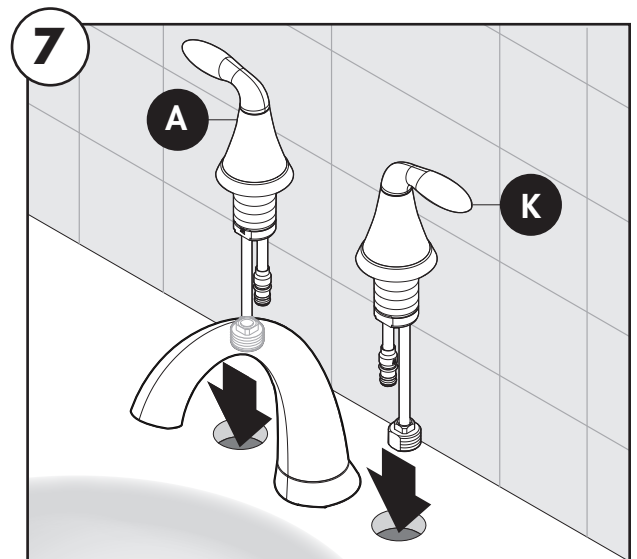
5. Remove washers from handle shanks.



6. Back out screws on guide washer (E) until they are flush with the face of the washer.

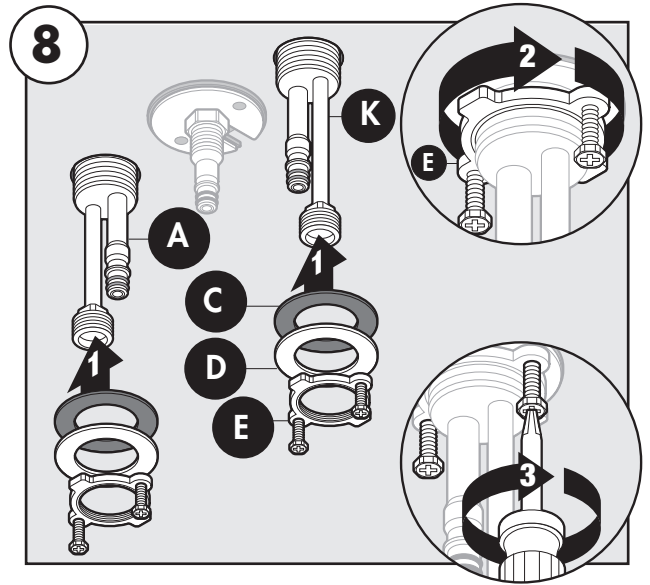


7. Insert valve body through the appropriate faucet hole.

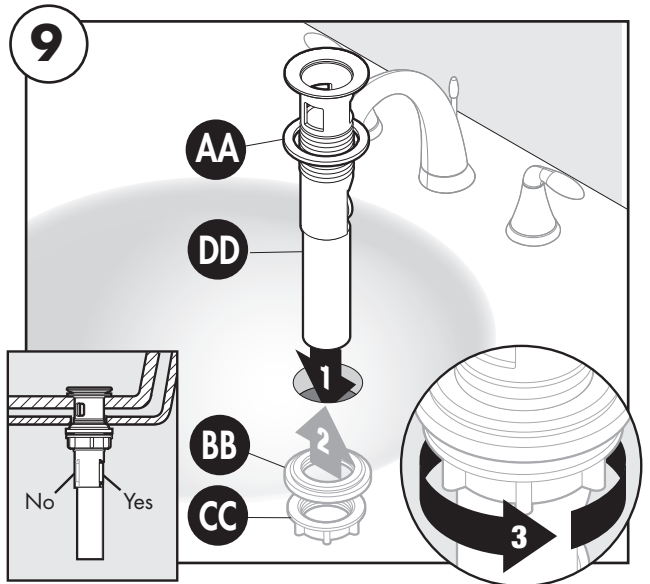


ASSEMBLY INSTRUCTIONS

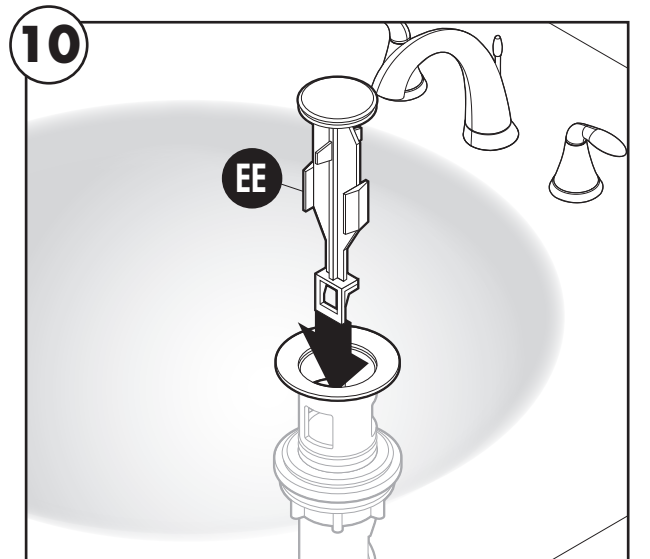
8. Slide washers onto handle shanks.
Secure with guide washer (E).



9. Install drain assembly.
NOTE: Opening for ball rod must face towards rear of sink.

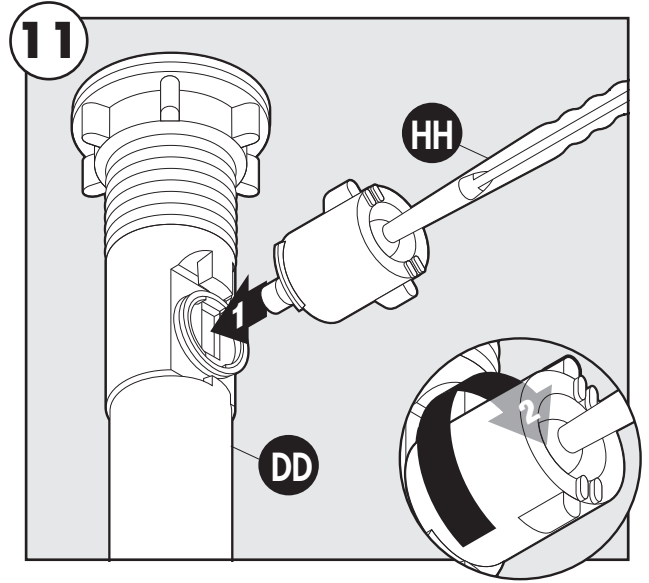


10. Insert plunger (EE).
NOTE: Plunger can only be inserted in one direction.

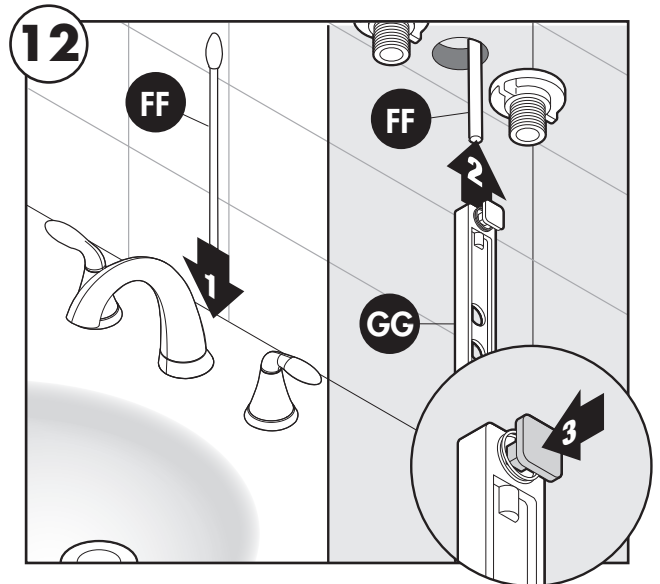


ASSEMBLY INSTRUCTIONS

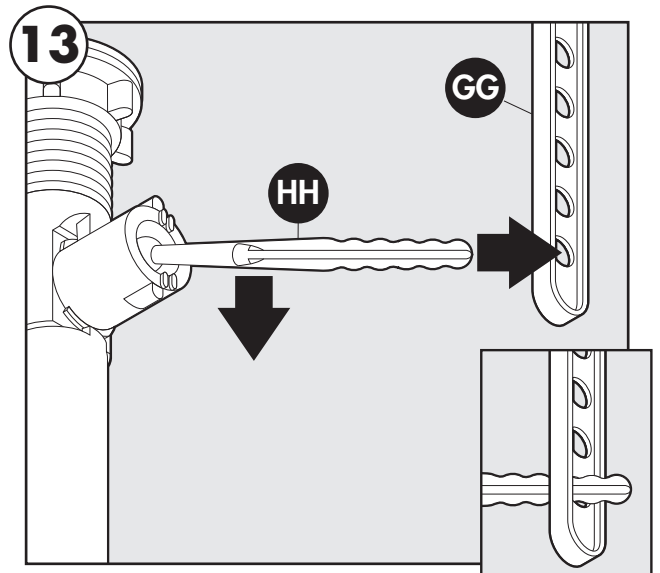
11. Insert ball rod (HH) into drain assembly (DD).
Tighten sleeve.



12. Insert lift rod (FF) through faucet and attach perforated strap (GG) to lift rod. Push button to allow lift rod to slide through. Release to lock.



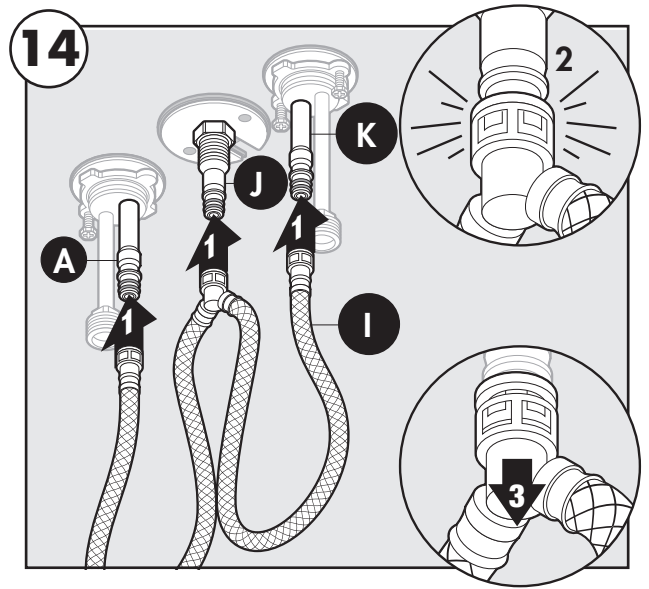
13. Adjust ball rod (HH) to the down position.
Attach to strap (GG).



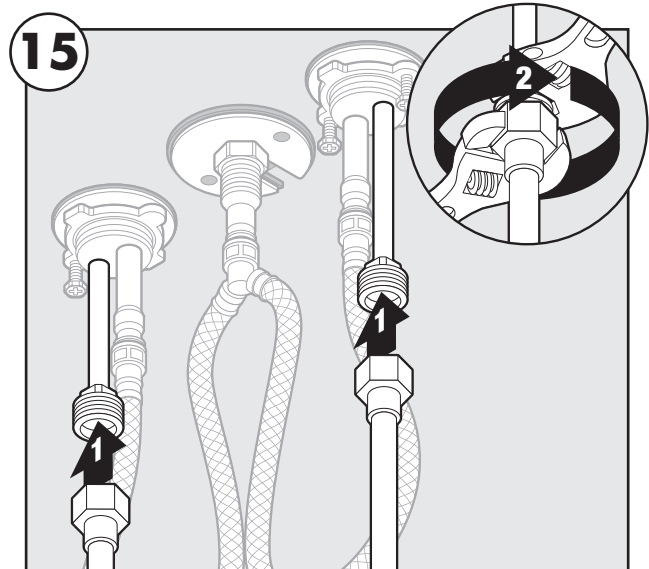
ASSEMBLY INSTRUCTIONS

14. Attach hose quick connectors.

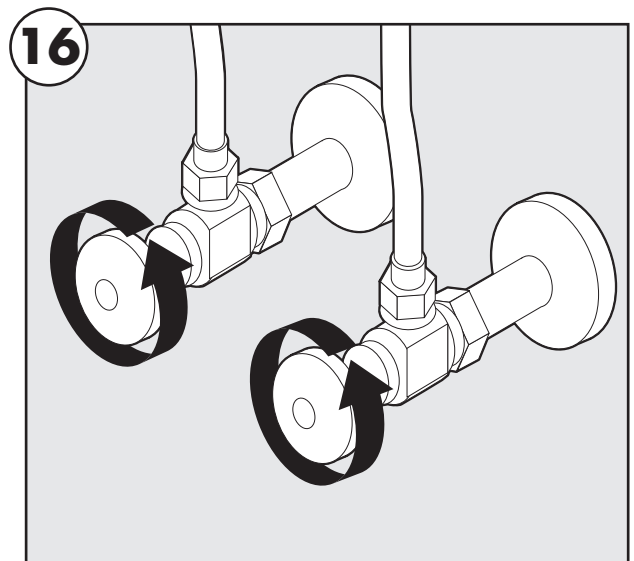
Note: For removal, see “Quick Connector Removal.”



15. Attach water supply lines.

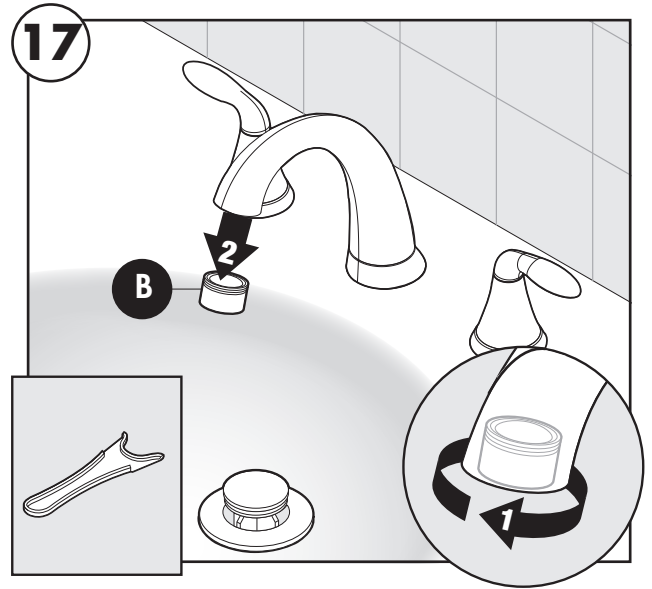


16. Turn on water supply.

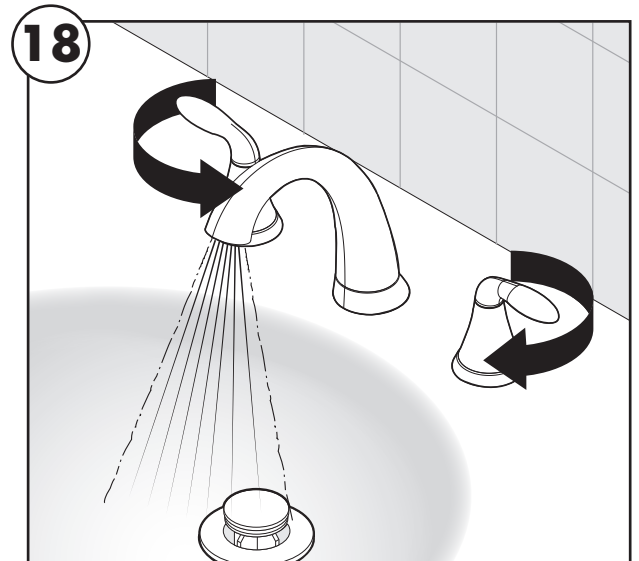


ASSEMBLY INSTRUCTIONS

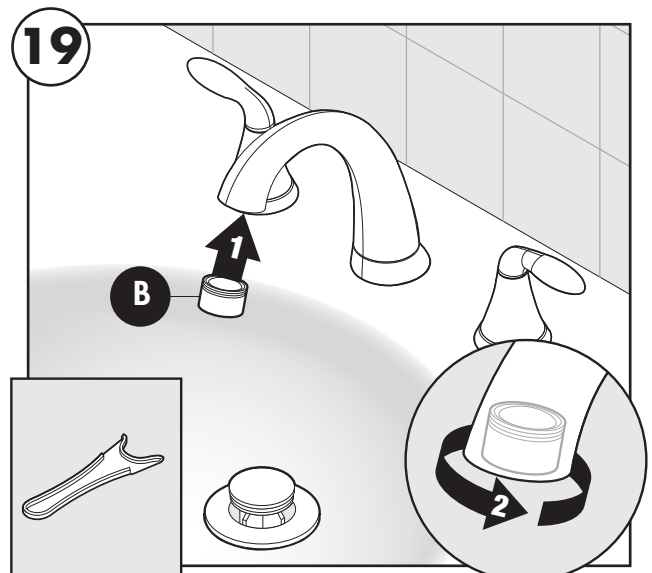
17. Remove aerator (B).



18. Flush out any debris.

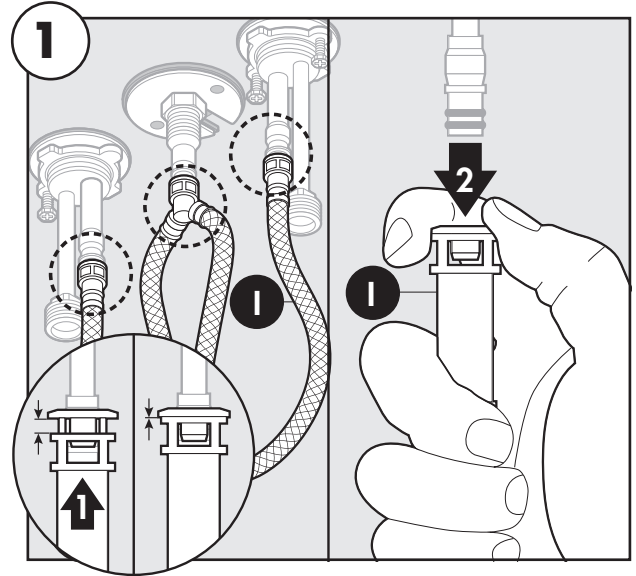


19. Replace aerator (B).



QUICK CONNECTOR REMOVAL

1. Push quick connector (L) housing upward. Hold clip and housing together and pull downward. **CAUTION:** Be careful in removal of quick connector (L) to not cut hands.



CARE AND MAINTENANCE

- To protect and maintain the finish of your faucet, clean only with a soft, damp cloth.
- Do not use a detergent or cleanser that may harm the finish.
- Do not use plumber's putty on plastic components.

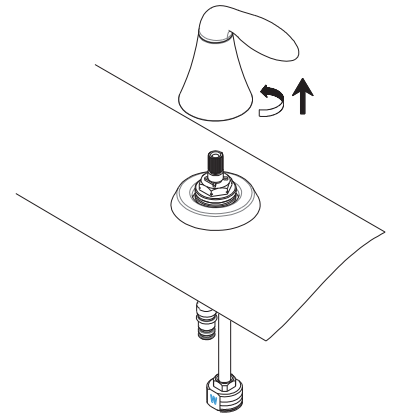
TROUBLESHOOTING

Questions, problems, missing parts? Before returning to your retailer, call our customer service department at 1-866-417-7564, 8 a.m. - 8 p.m., EST, Monday - Friday.

PROBLEM	POSSIBLE CAUSE	CORRECTIVE ACTION
Leak from under handle.	Damaged cartridge.	Remove handle. Replace cartridge.
Aerator leaks or has an inconsistent water flow pattern.	Aerator is dirty or misfitted.	Unscrew the aerator to check rubber packing or replace the aerator.

IMPORTANT TIPS / How to remove handle.

Don't pull out the handle directly.
Move the handle to off position,
unscrew the canopy by turning it counterclockwise.

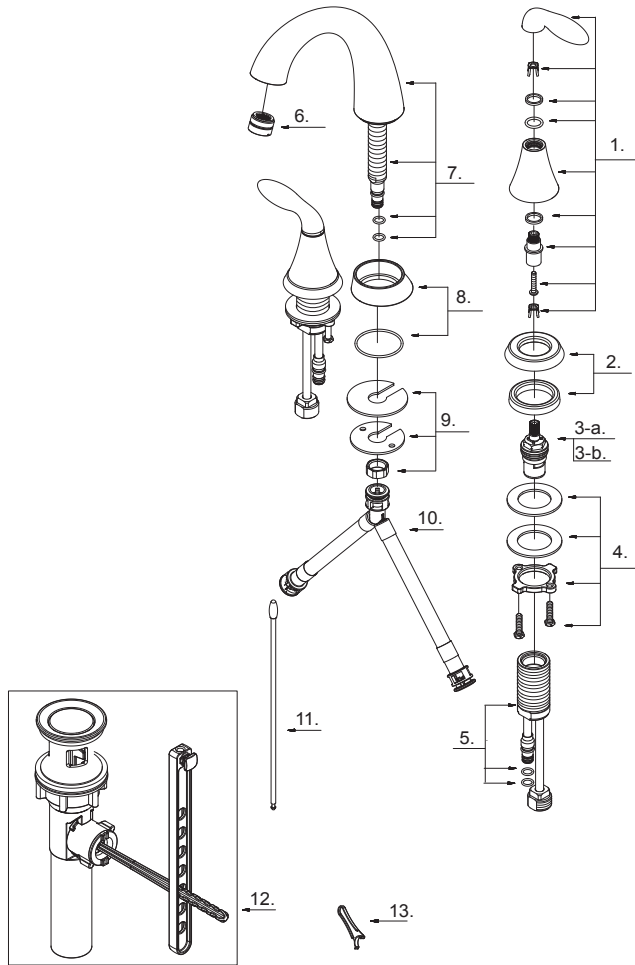


WARRANTY

The manufacturer warrants this faucet to be free from defects in workmanship and material present at time of shipment from the factory for a limited lifetime from the date of purchase. This warranty applies only to the original purchaser. The manufacturer agrees to correct such defects at no charge or, at our option, replace the faucet with a comparable or superior model. To obtain warranty service, call our customer service department at 1-866-417-7564 for return authorization and shipping instructions. You may be required to present a copy of your sales receipt as proof of purchase. All cost of removal and reinstallation are the expressed responsibility of the purchaser. Any damage to the faucet by accident, misuse or improper installation, or by affixing accessories not produced by the manufacturer, are the purchaser's responsibility. The manufacturer assumes no responsibility whatsoever for faucet installation during the warranty period. There is no further expressed warranty. The manufacturer disclaims any and all implied warranties. The manufacturer shall not be liable for incidental, consequential or special damages arising at or in connection with product use or performance except as may otherwise be accorded by law. This warranty gives you specific legal rights, and you may also have other rights which vary from state to state. This warranty supersedes all prior warranties.

REPLACEMENT PARTS LIST

For replacement parts, call our customer service department at 1-866-417-7564, 8 a.m. - 8 p.m., EST, Monday - Friday.



PART	DESCRIPTION	PART #
1	Metal Handle Assembly	A66E141
2	Handle Trim Ring	A667917
3-a	Ceramic Disc Cartridge-Cold	A507376N
3-b	Ceramic Disc Cartridge-Hot	A507375N
4	Mounting Hardware Assembly	A663951
5	Handle Valve Body Assembly	A661481W
6	Aerator	A500992N
7	Spout Assembly	A666536W
8	Spout Trim Ring	A667916
9	Mounting Hardware	A66D455
10	Supply Hose	A135141N
11	Lift Rod	A025538
12	Pop-up Assembly	A556801
13	Aerator Wrench	A031025ZN

* Watersense Compliant Lavatory Faucet Aerator

Printed in China