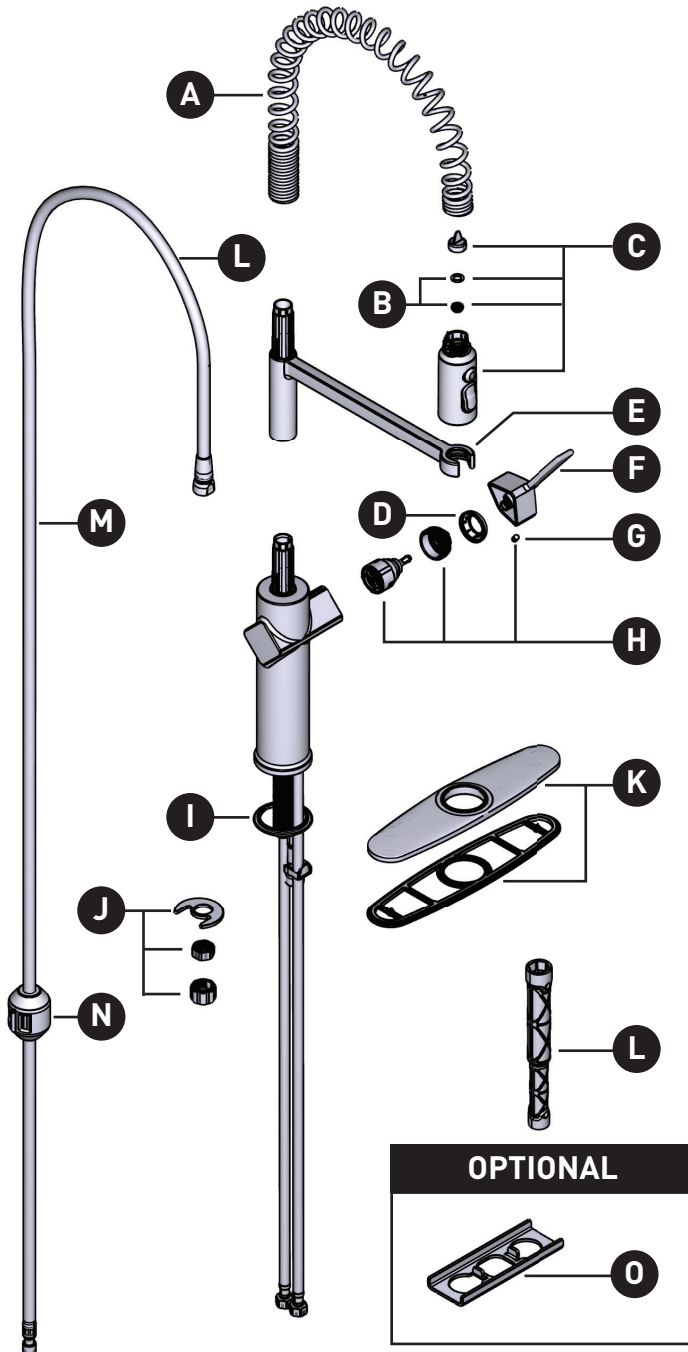


JORIC™

Single Handle Pre-Rinse Spring Pulldown
Kitchen Faucet
87580 Series

ORDER BY PART NUMBER



ID	Kit Number	Finish
*A	199097	See below
B	158550	N/A
*C	200014	See below
*D	160660	See below
*E	200699	See below
*F	217426	See below
G	155023	N/A
H	160657	N/A
I	168498	Chrome
	158042BL	Matte Black
J	192155	N/A
*K	141002	See below
L	118305	N/A
M	150259	N/A
	191751BL	Matte Black
	150259CST	(Used for Brushed Gold)
N	150259	N/A
O	176787	N/A

***Finish Determined by Suffix**

Finish	Description
No Suffix	Chrome
BL	Matte Black
BG	Brushed Gold
SRS	Spot Resist Stainless