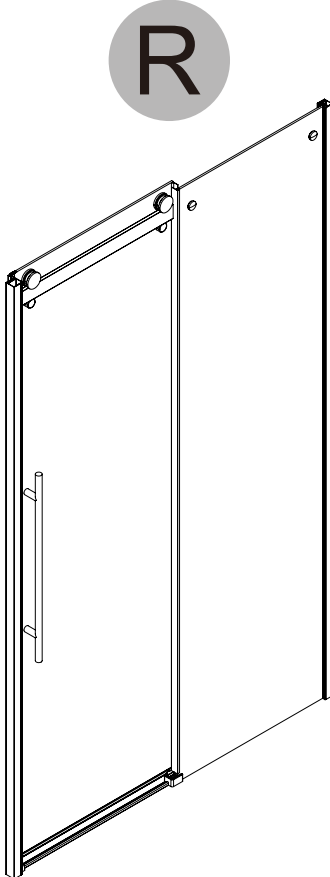
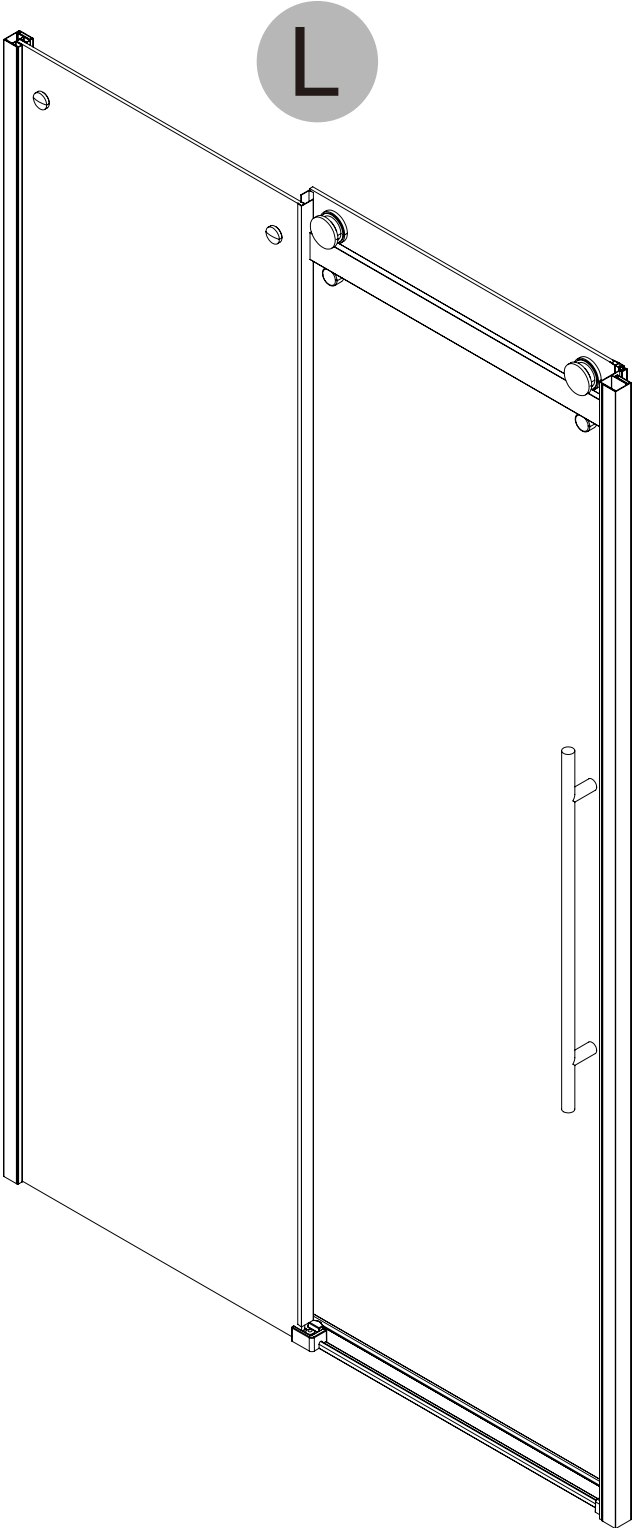
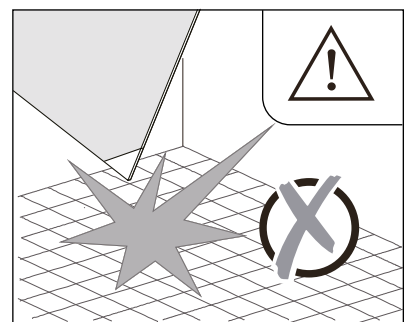
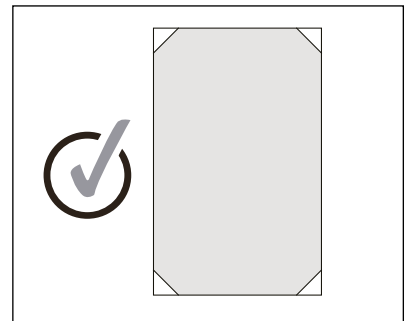
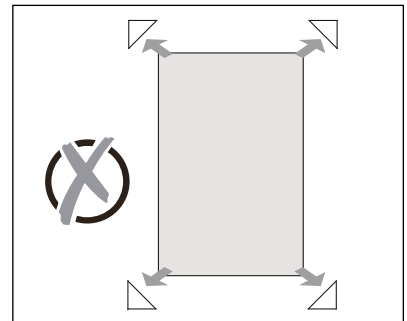
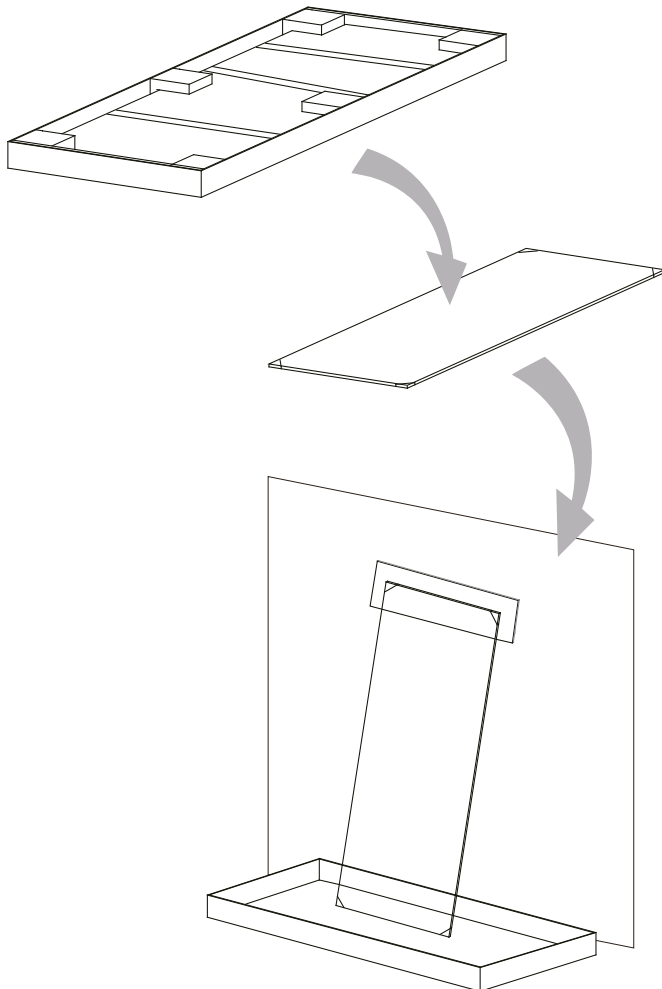
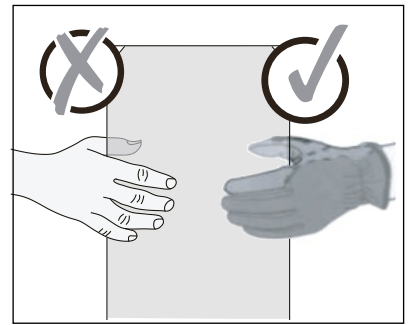
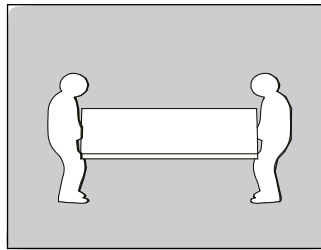
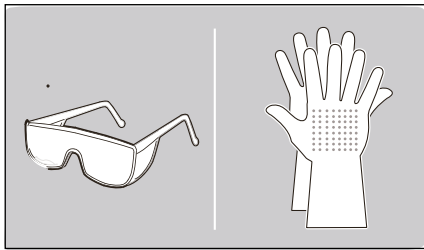
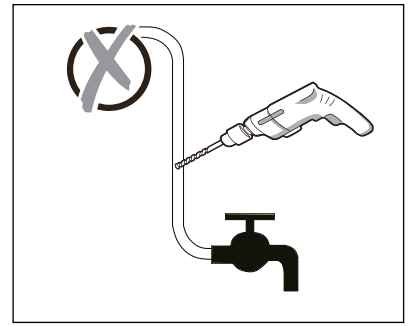
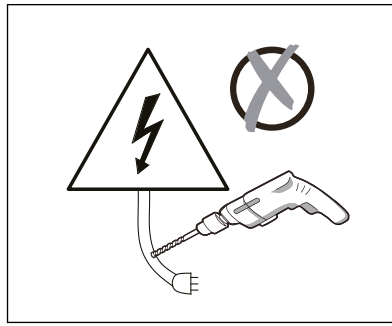
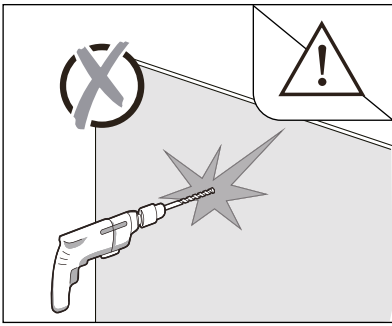
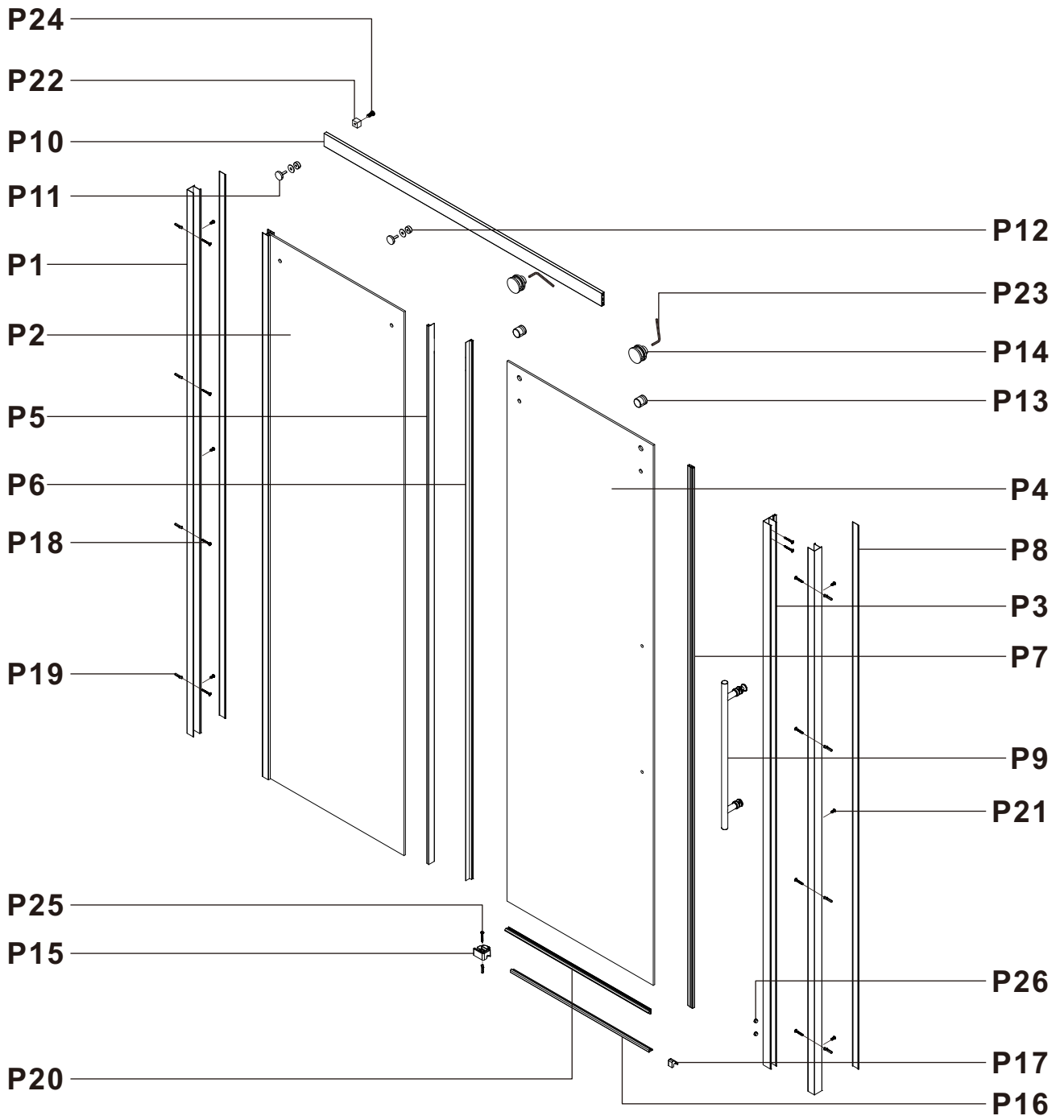
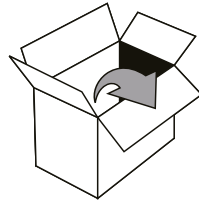


S733



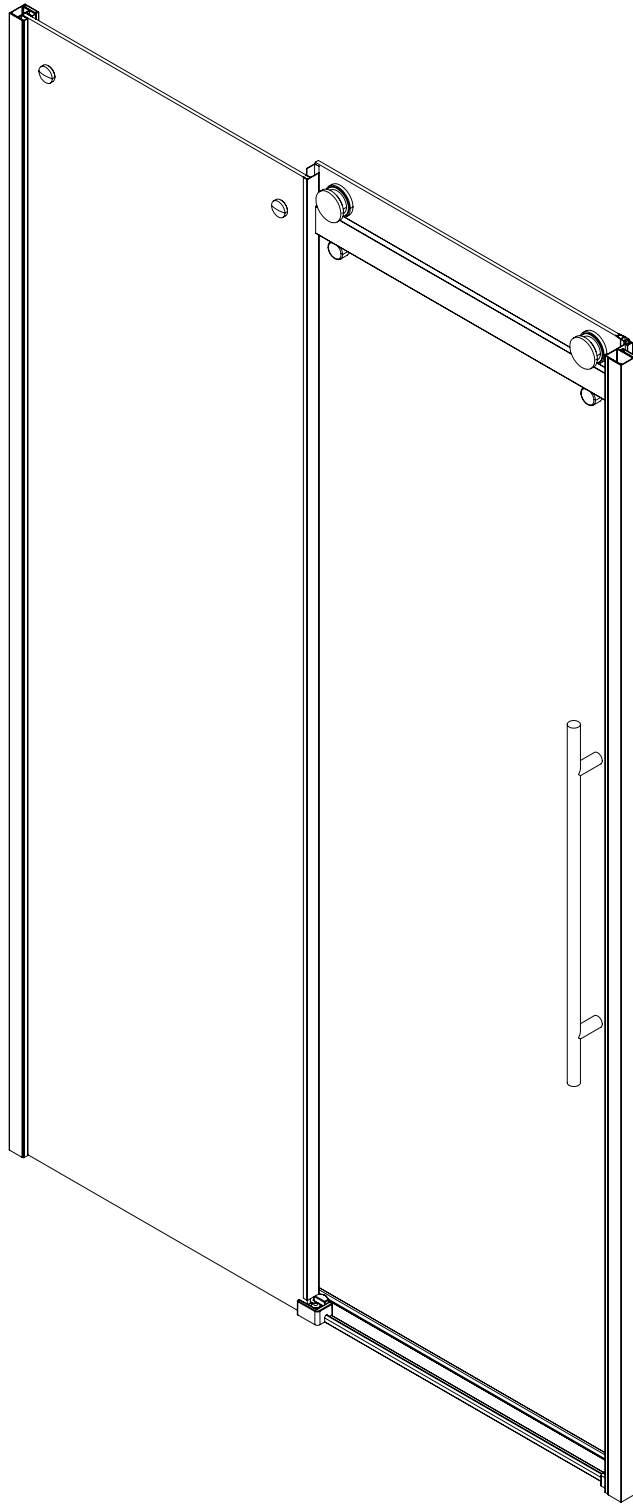


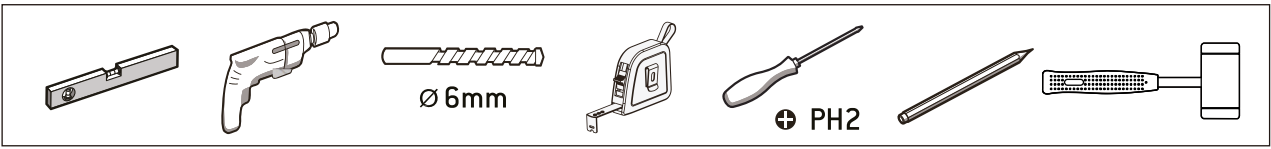




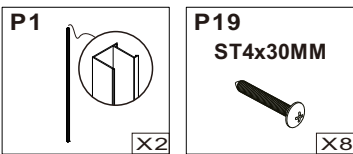
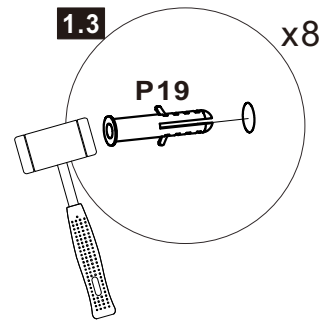
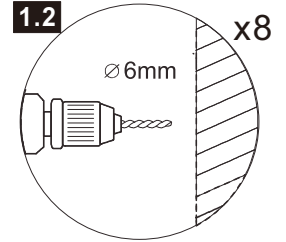
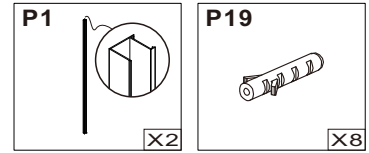
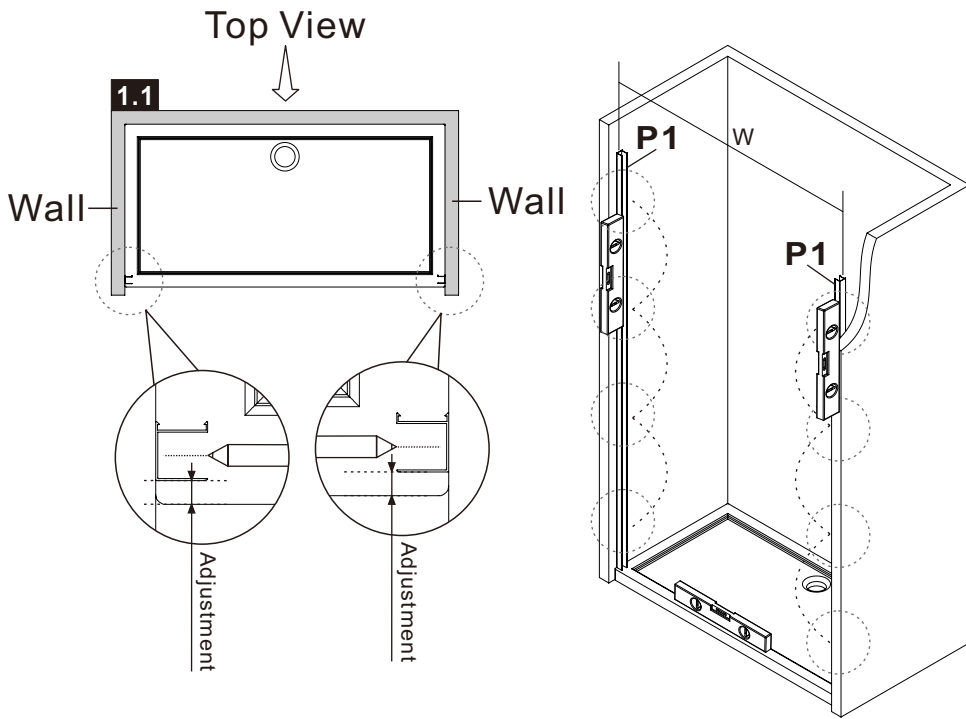
P1 X2	P2 X1	P3 X1	P4 X1
P5 X1	P6 X1	P7 X1	P8 X2
P9 X1	P10 X1	P11 X2	P12 X2
P13 X2	P14 X2	P15 L R X1	P16 X1
P17 X1	P18 ST4x30MM X10	P19 X9	P20 X1
P21 ST4x10MM X6	P22 X1	P23 X1	P24 ST4x16MM X1
P25 ST4x20MM X1	P26 X2		

L

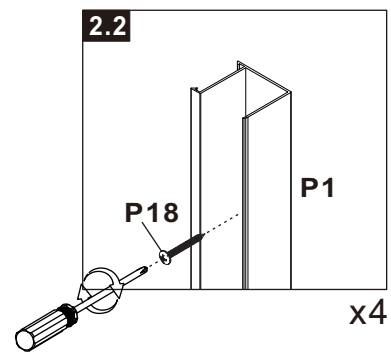
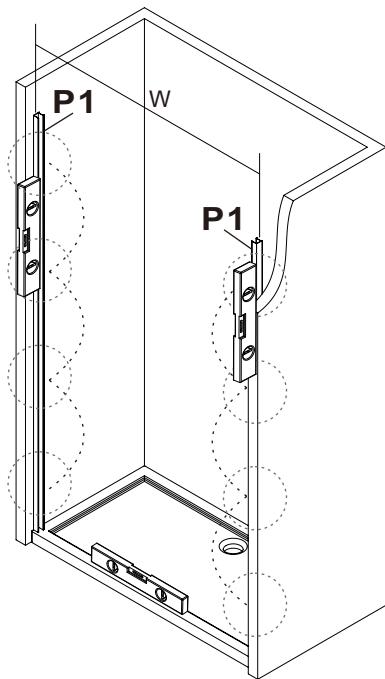
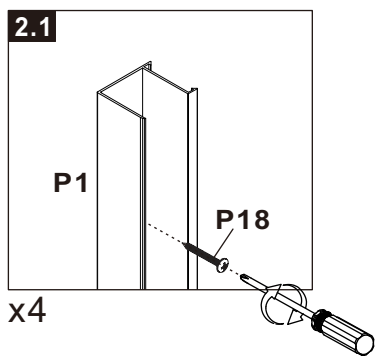




1



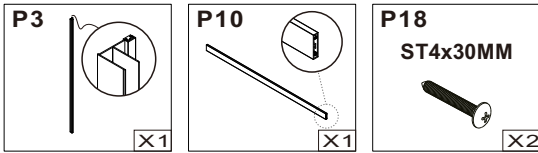
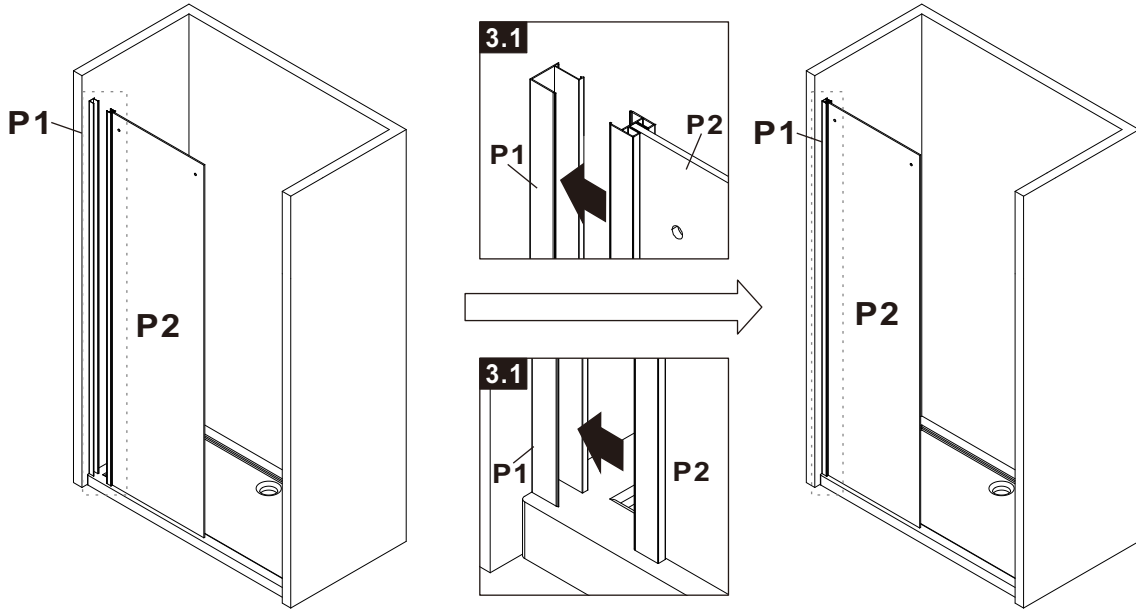
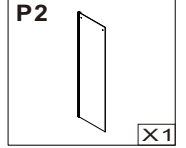
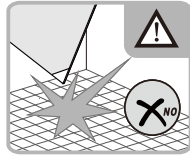
2



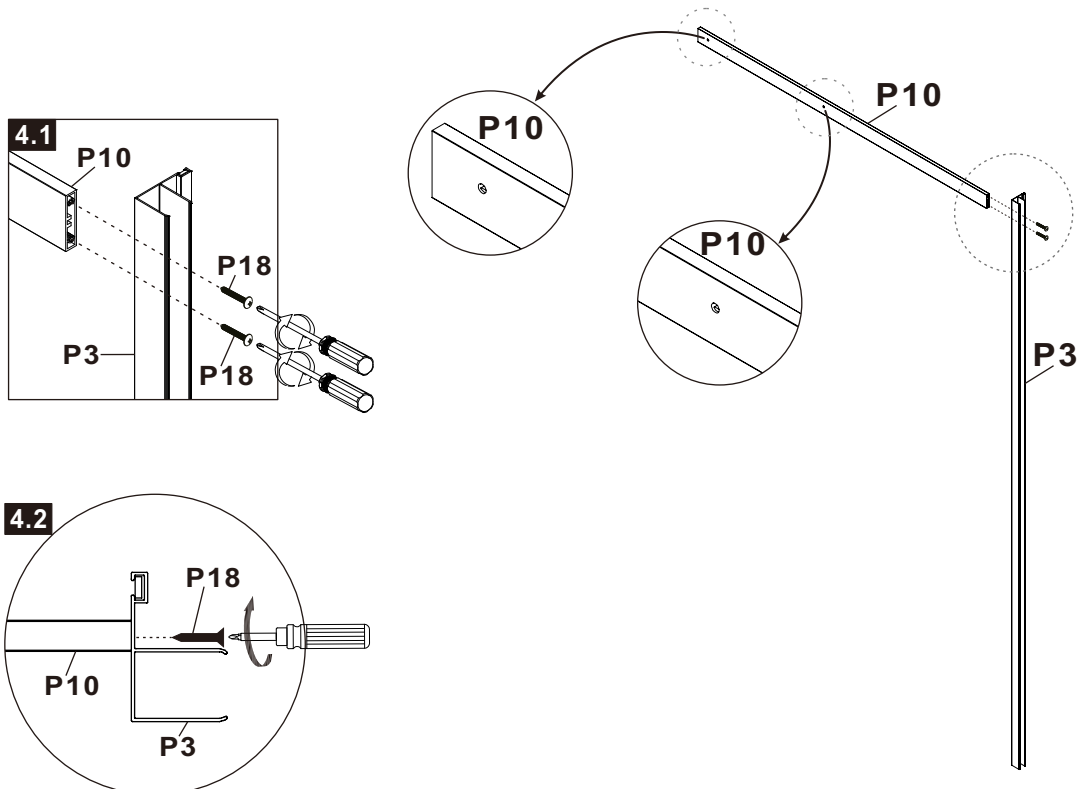
7



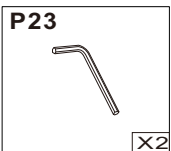
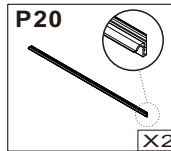
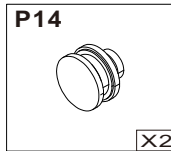
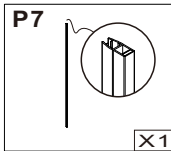
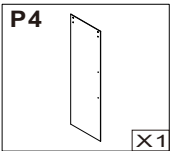
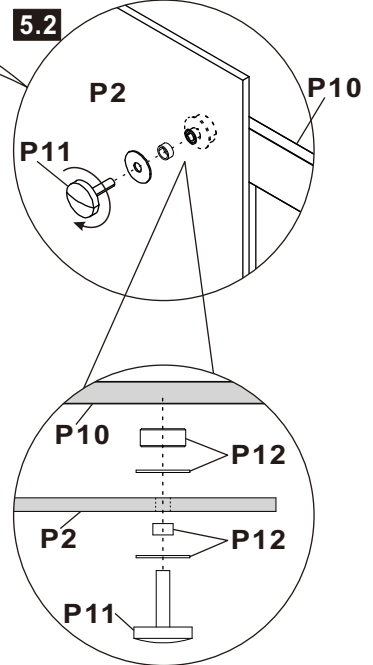
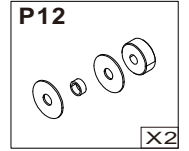
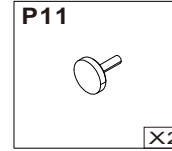
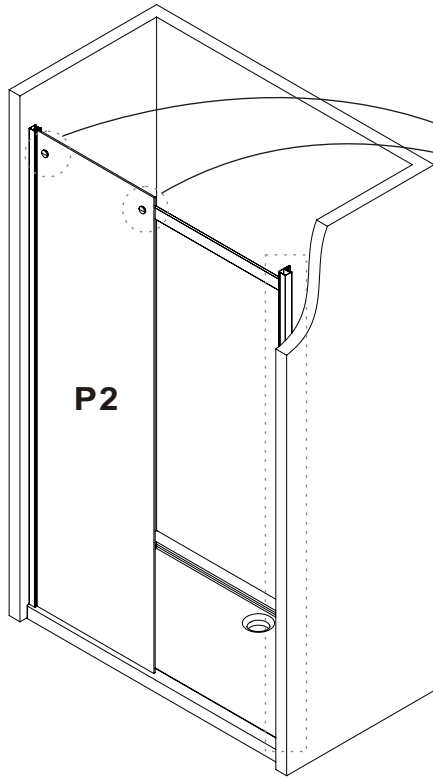
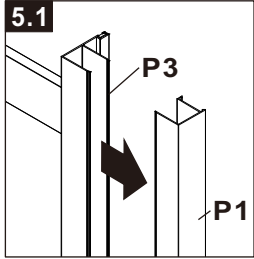
3



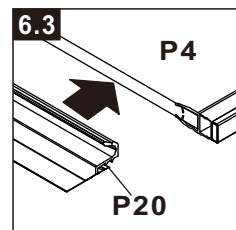
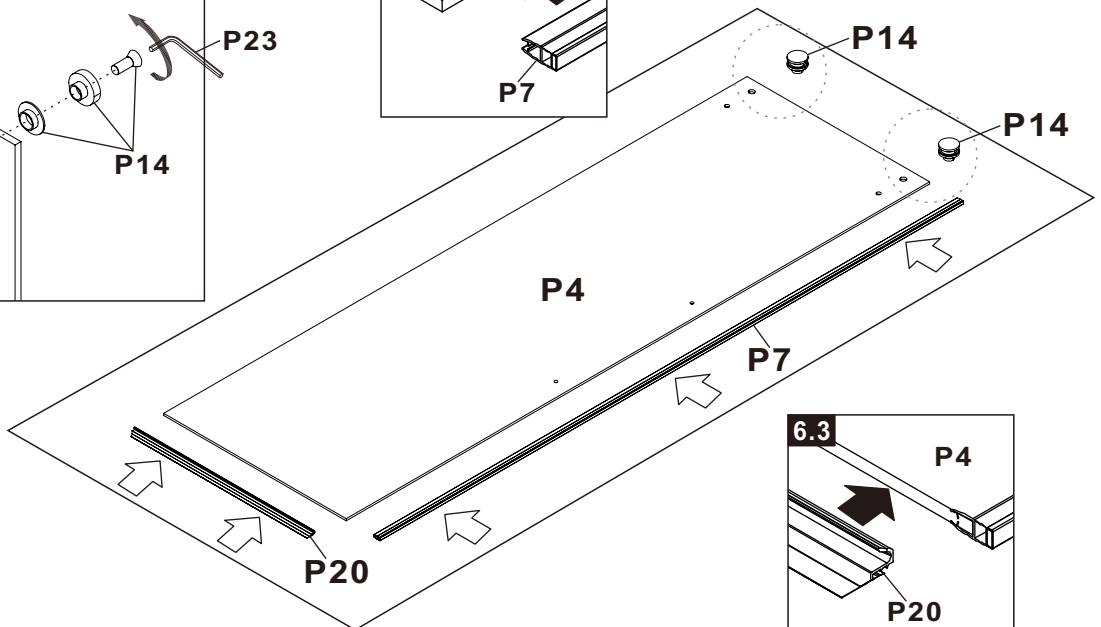
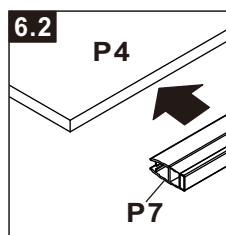
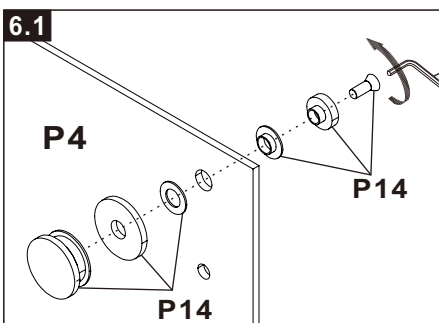
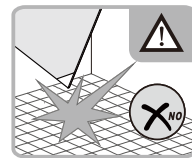
4



5

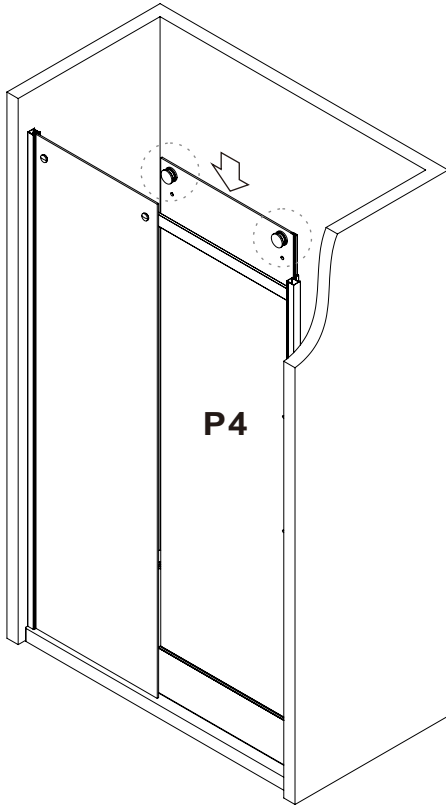


6

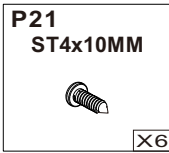
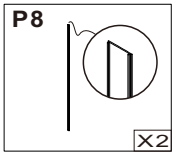
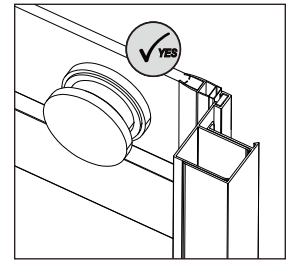
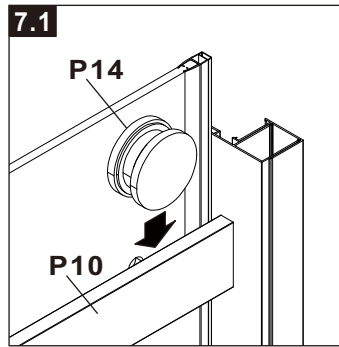




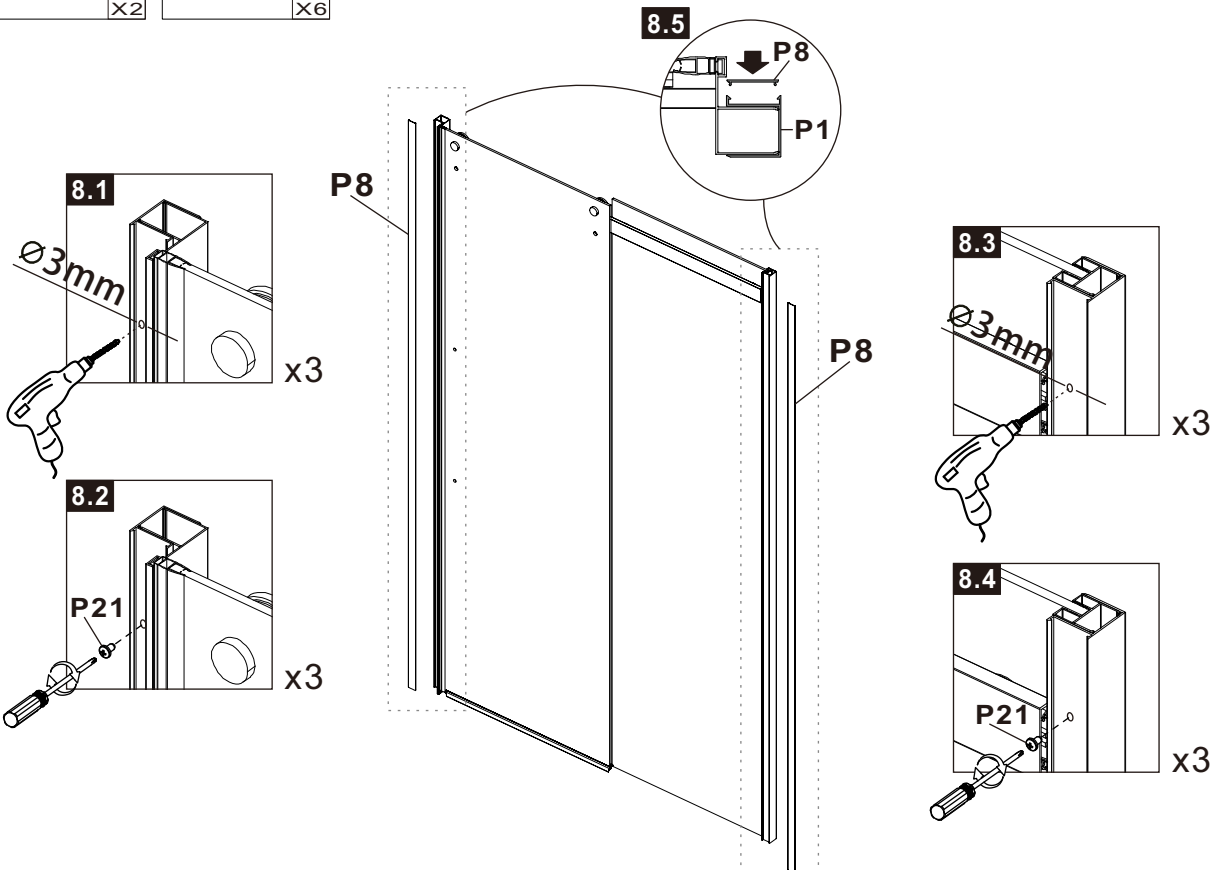
7

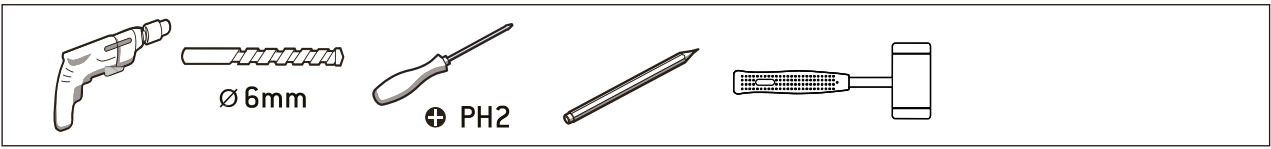


Hang the sliding door to ensure that the magnetic strips can be matched and closed accurately.

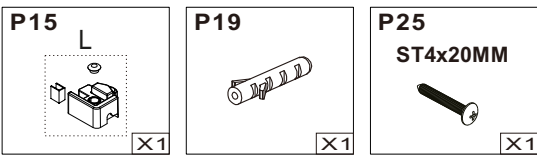
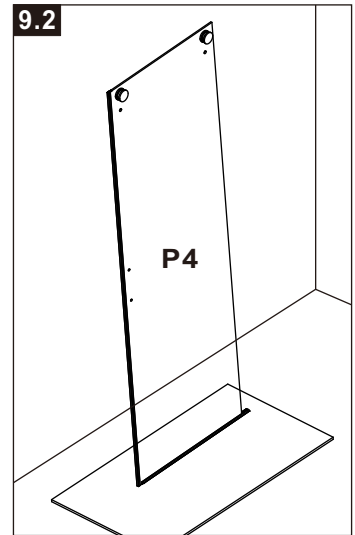
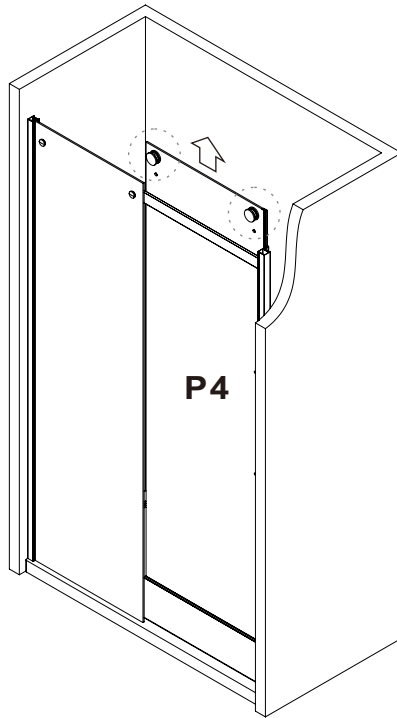
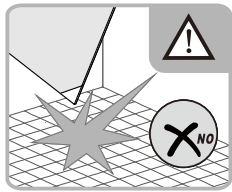
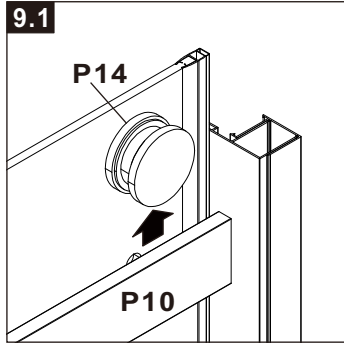


8

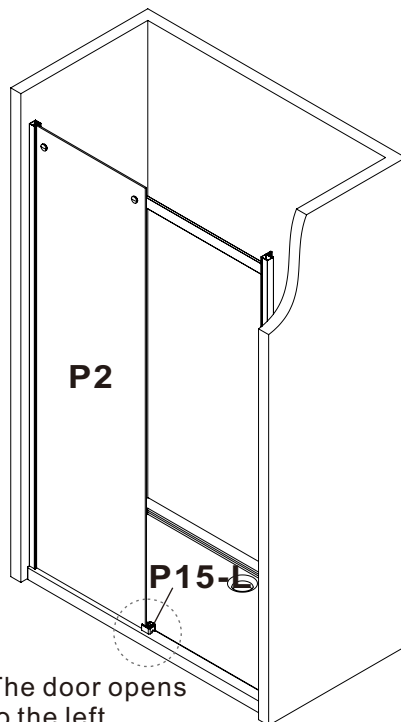
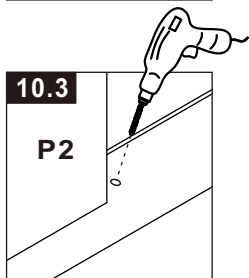
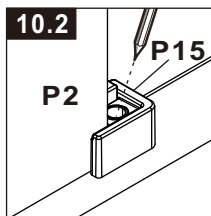
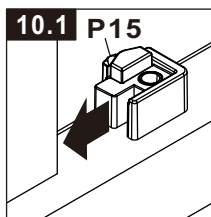




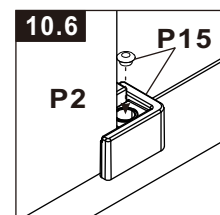
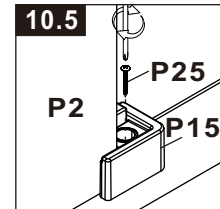
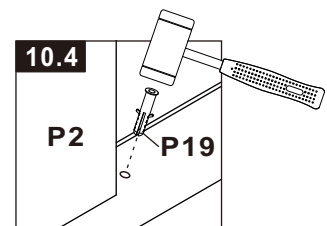
9



10

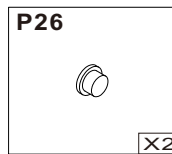
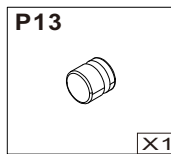
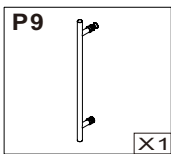
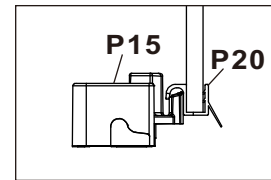
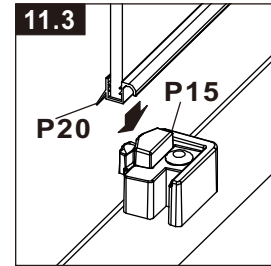
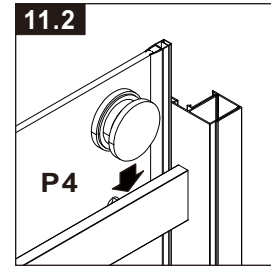
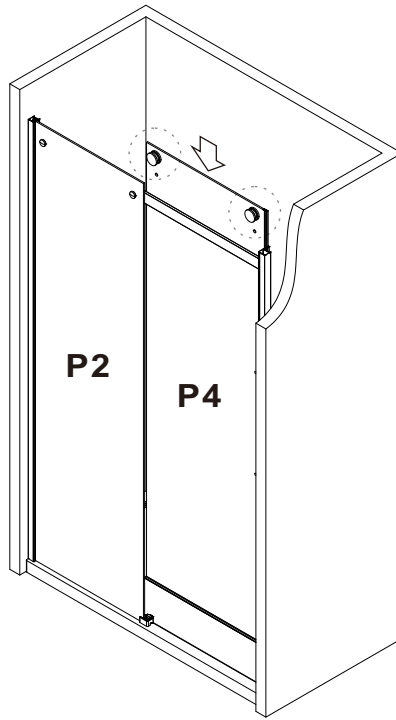
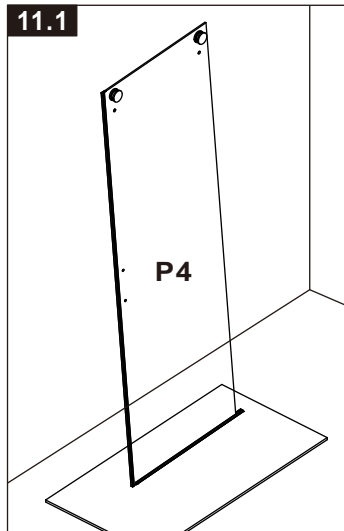
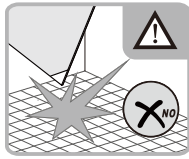


The door opens to the left

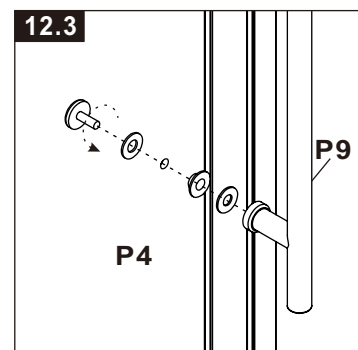
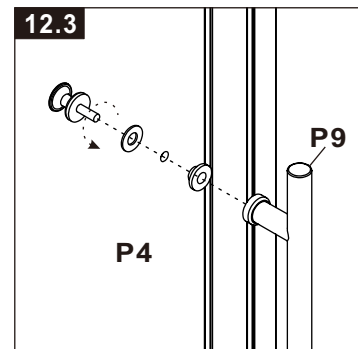
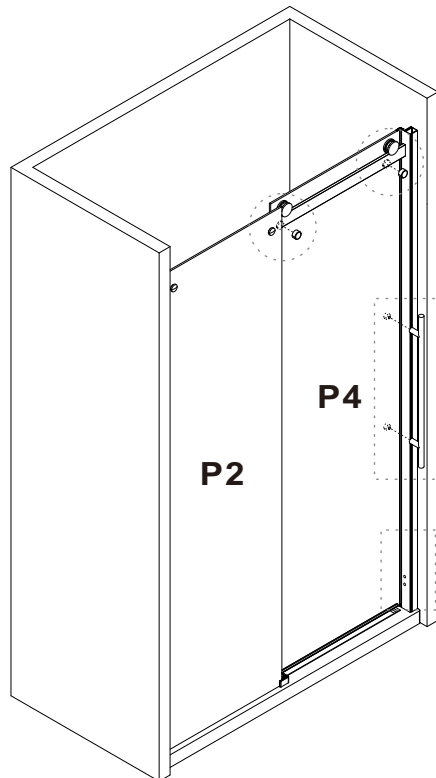
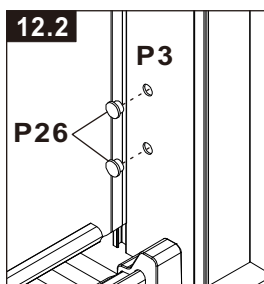
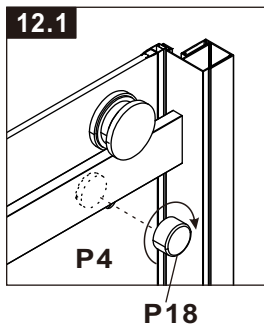


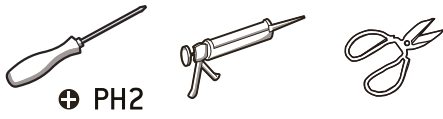


11



12

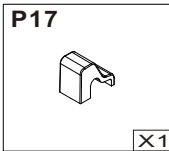
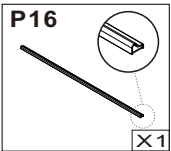
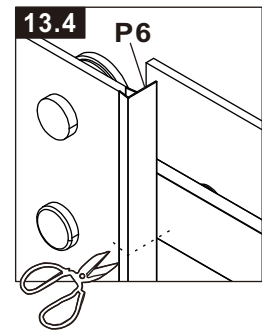
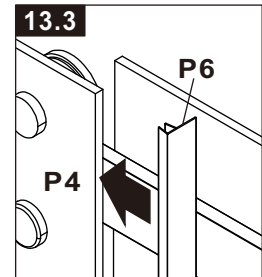
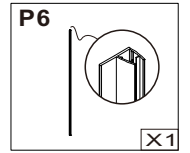
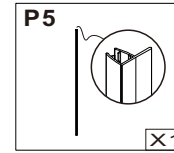
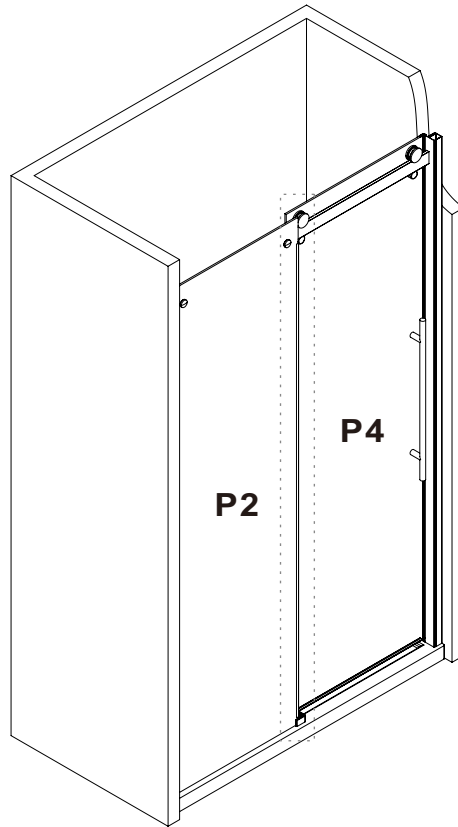
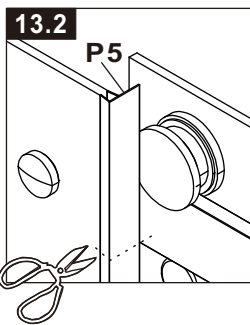
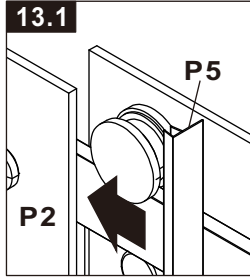




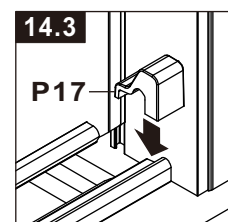
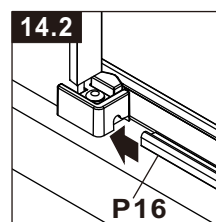
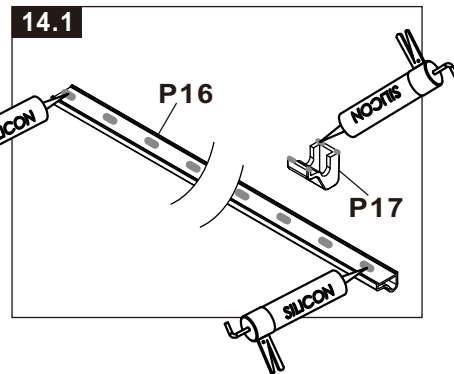
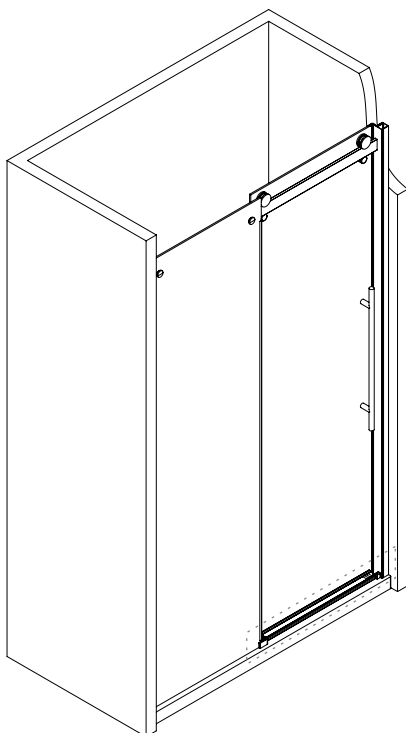
⊕ PH2

12

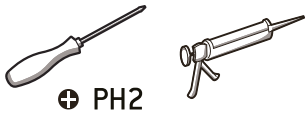
13



14



13



15

P22



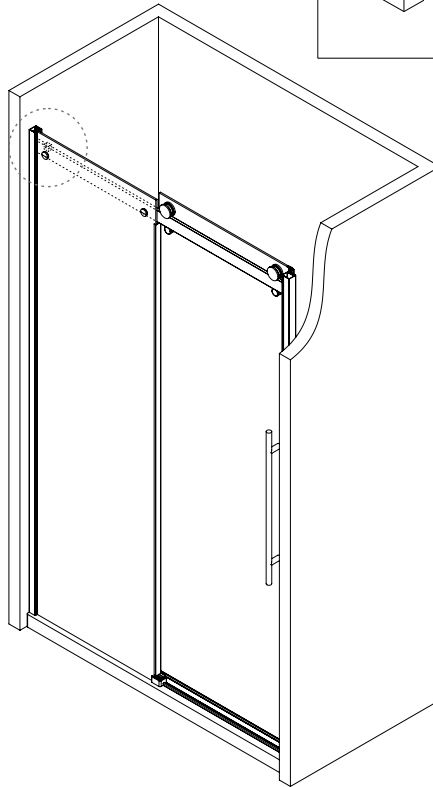
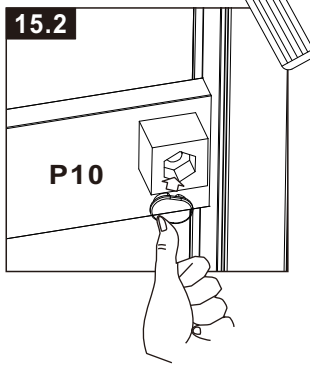
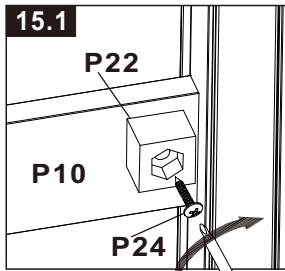
X1

P24

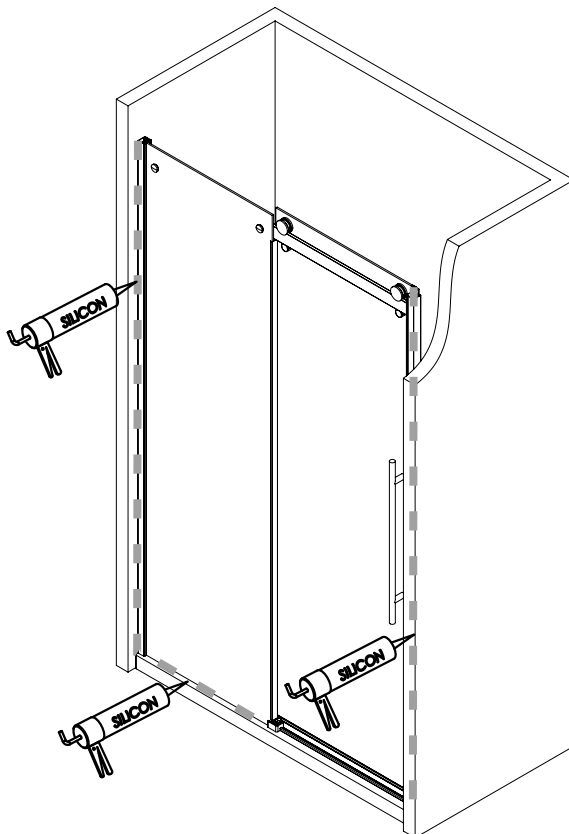
ST4x16MM



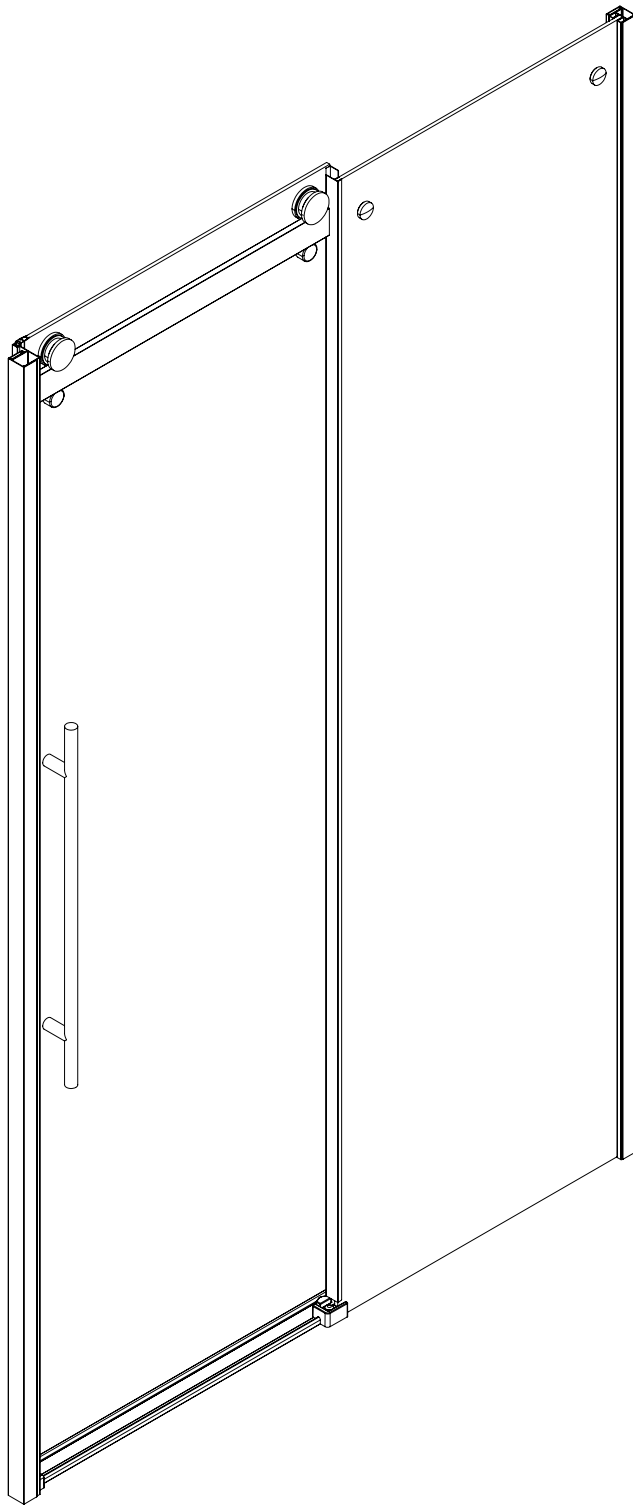
X1



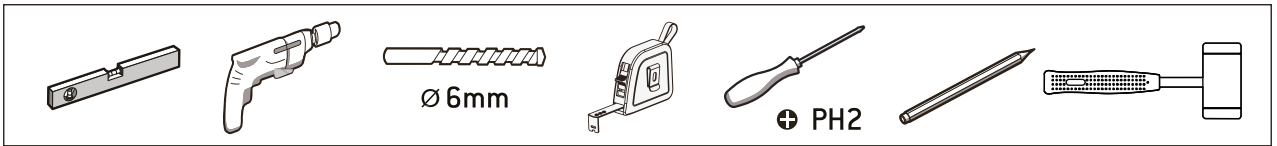
16



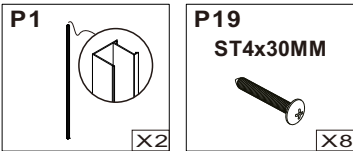
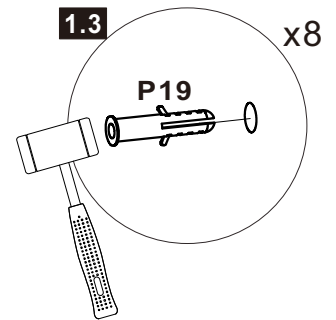
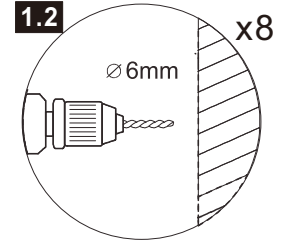
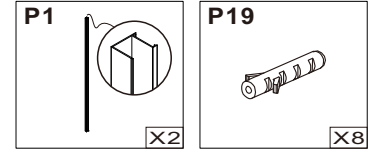
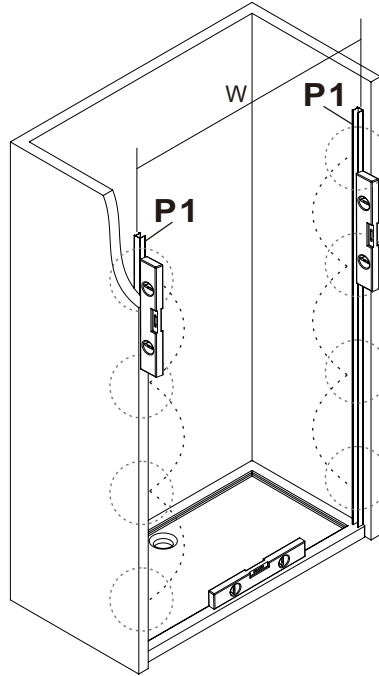
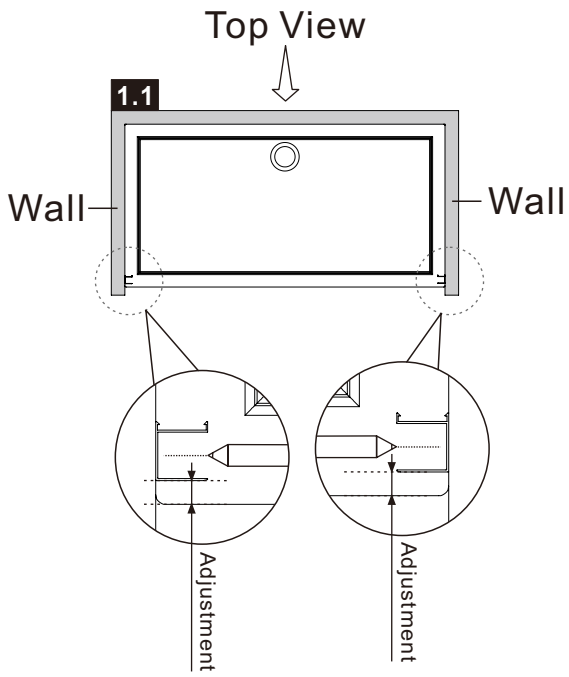
R



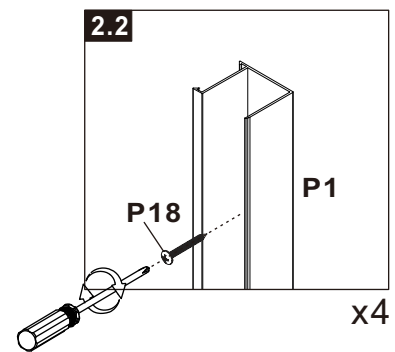
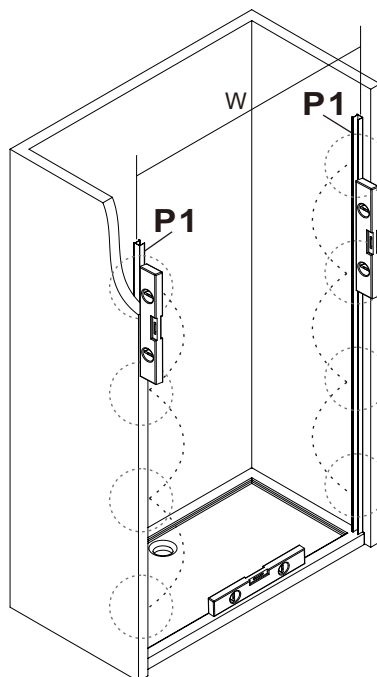
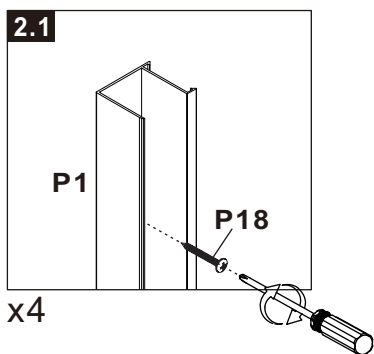
15



1



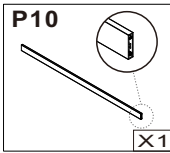
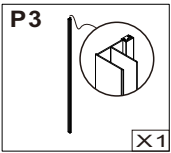
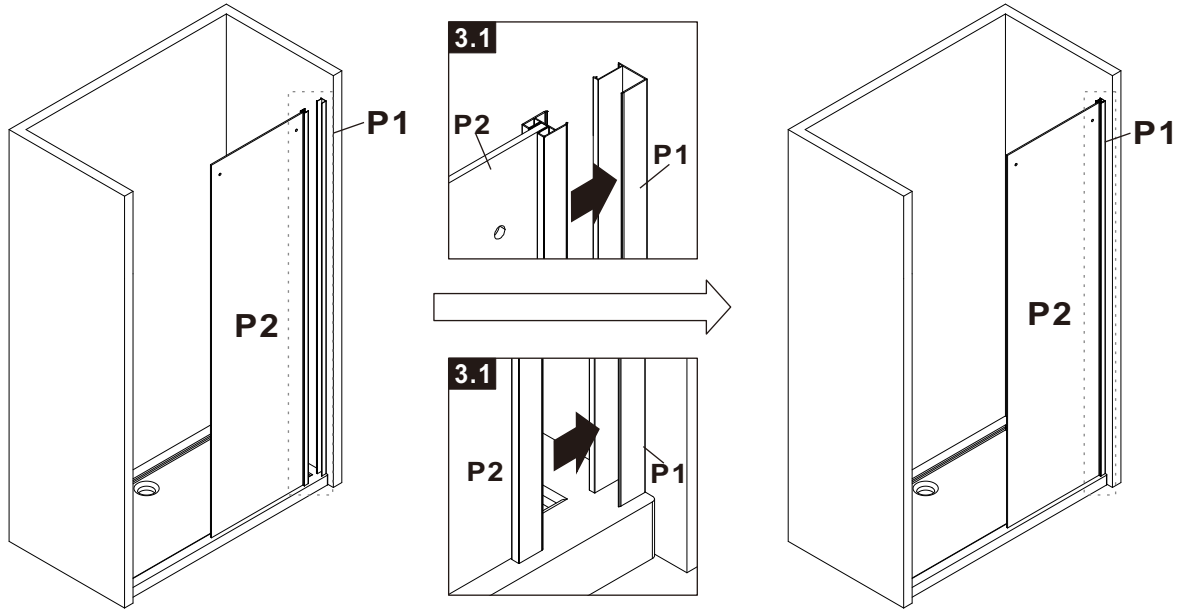
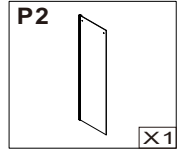
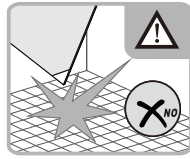
2



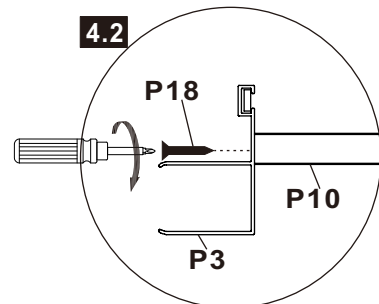
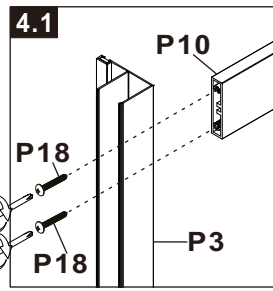
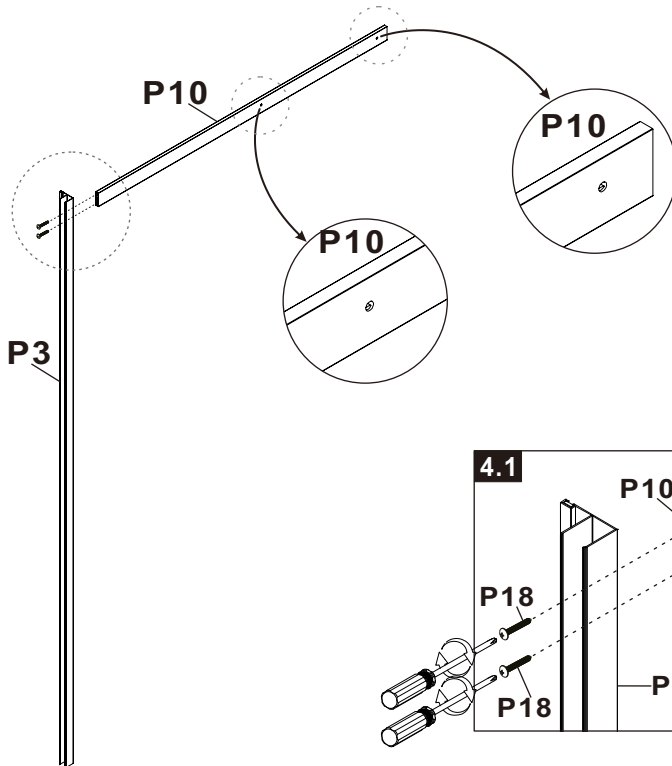


⊕ PH2

3

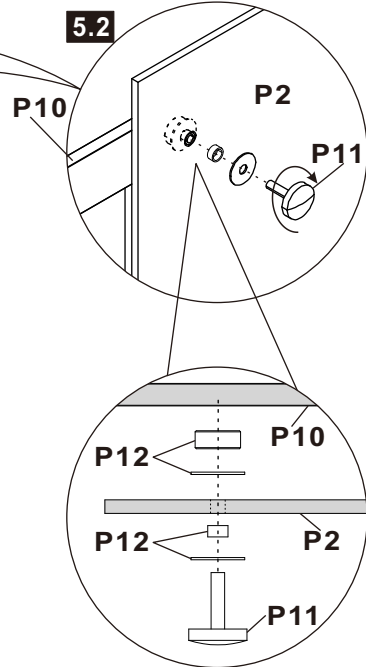
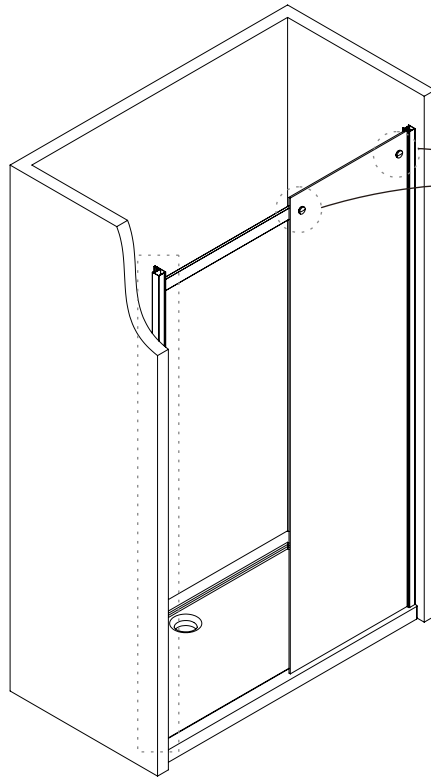
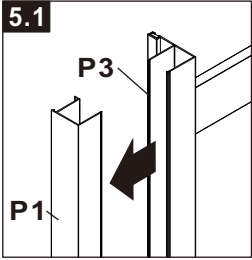
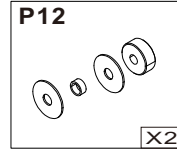
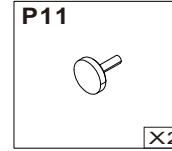


4

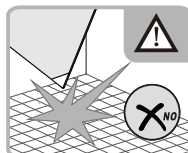
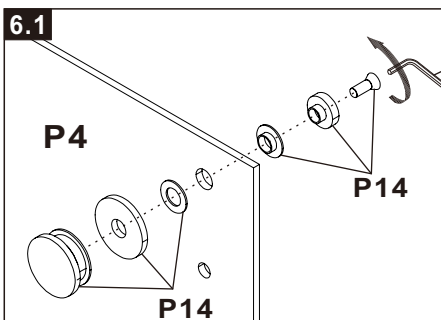
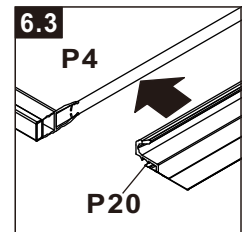
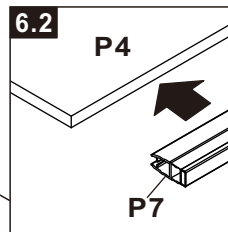
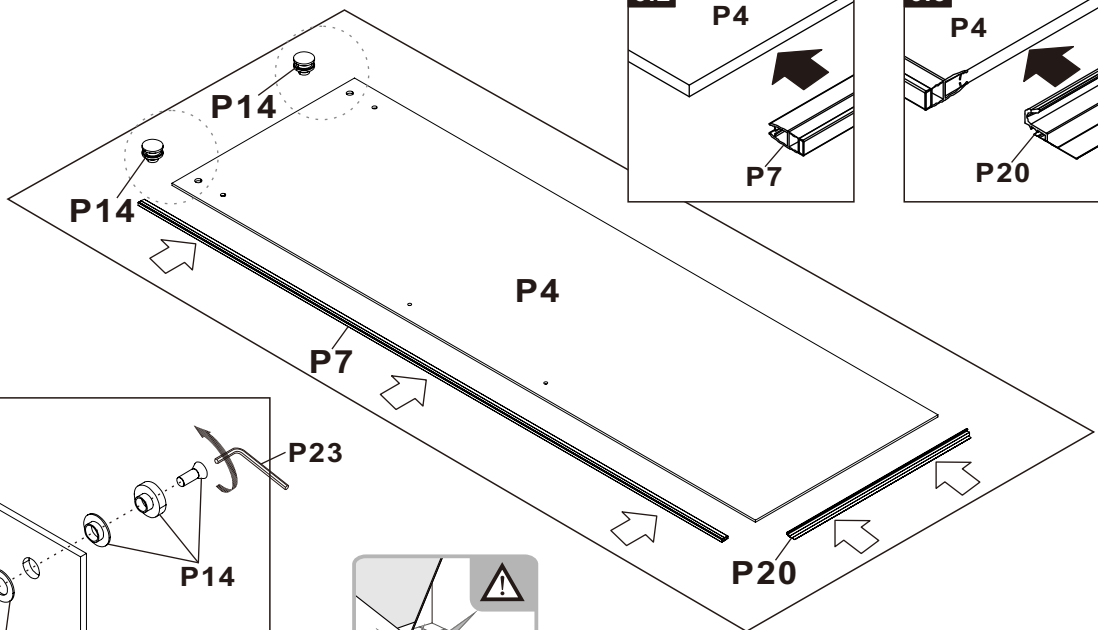
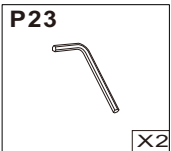
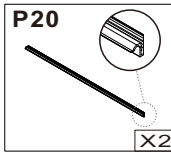
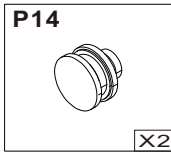
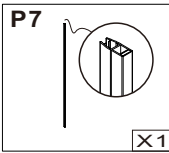
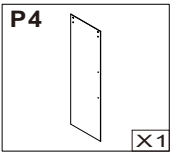




5



6





Ø3mm

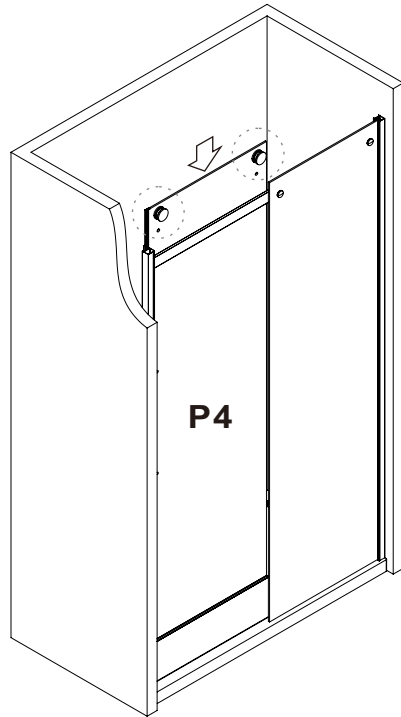


PH2

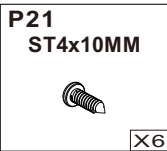
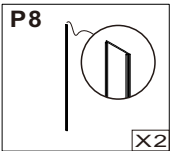
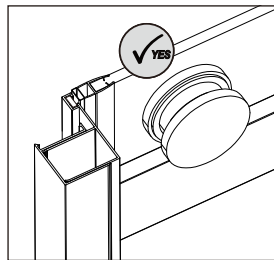
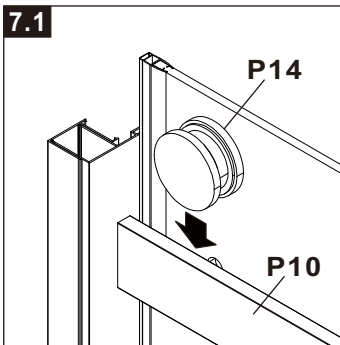
7



Hang the sliding door to ensure that the magnetic strips can be matched and closed accurately.

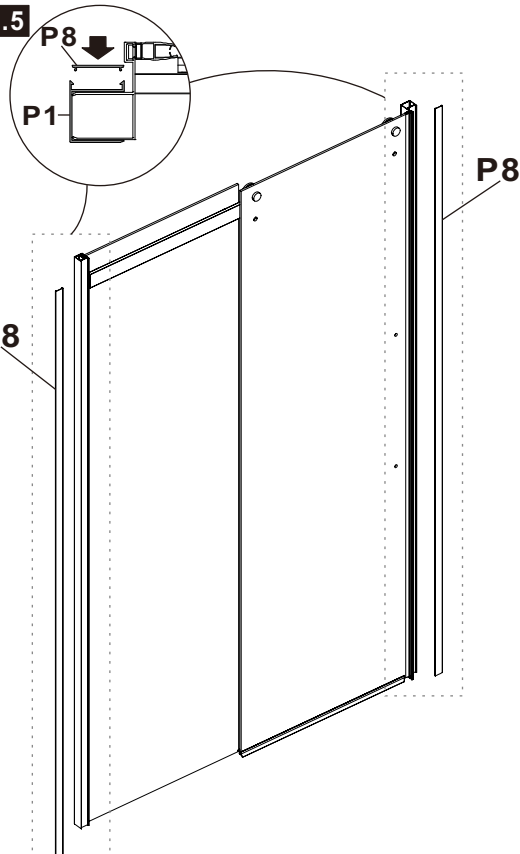


7.1

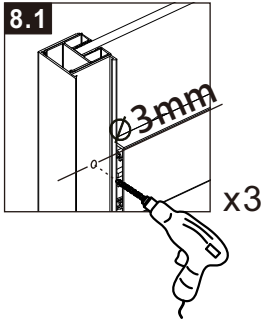


8

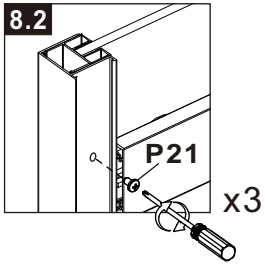
8.5



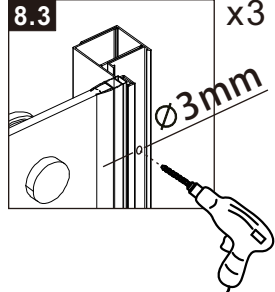
8.1



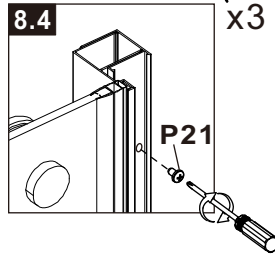
8.2

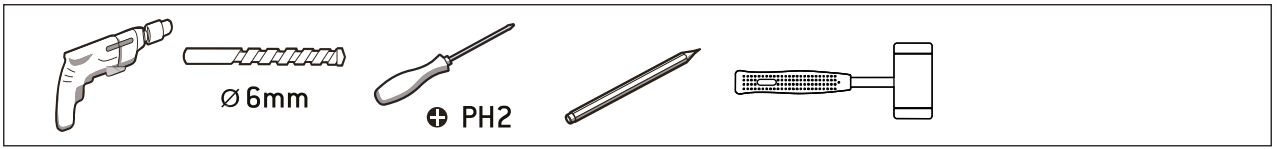


8.3

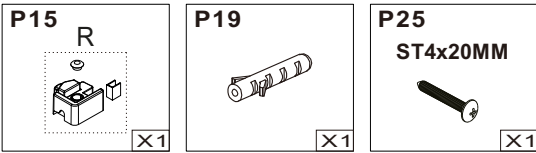
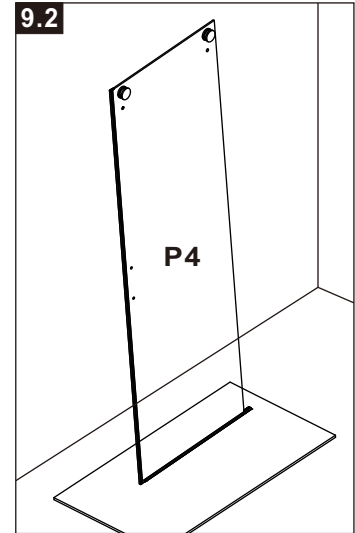
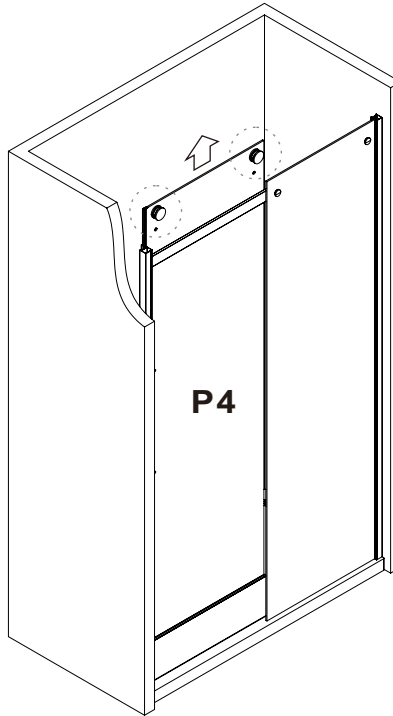
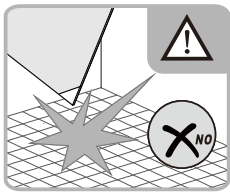
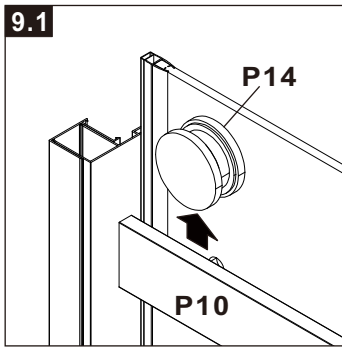


8.4

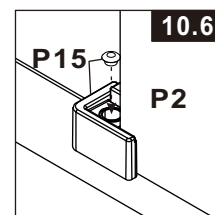
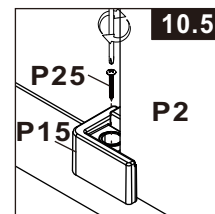
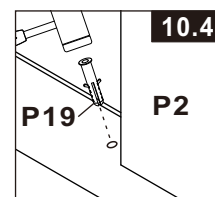
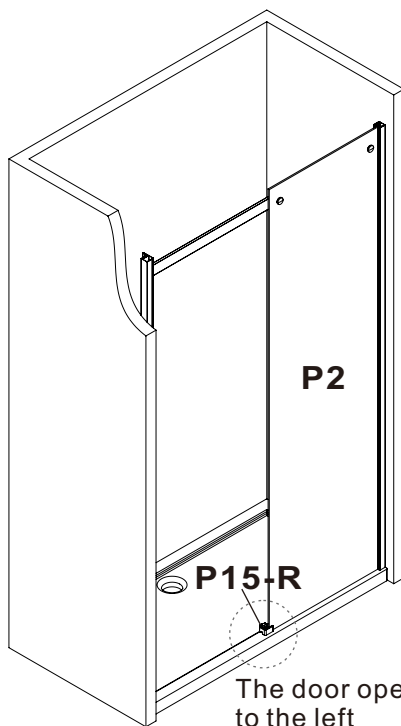
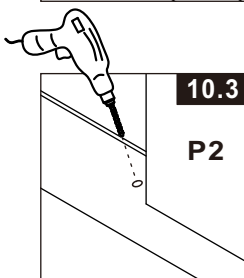
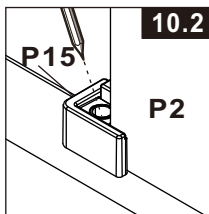
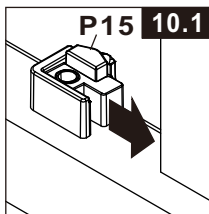




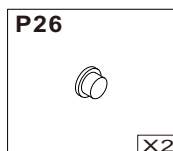
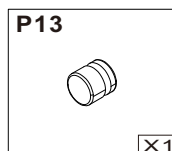
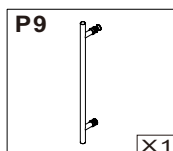
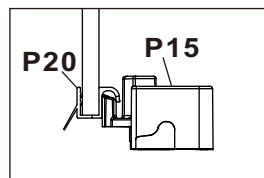
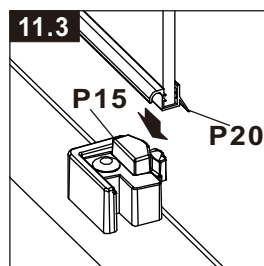
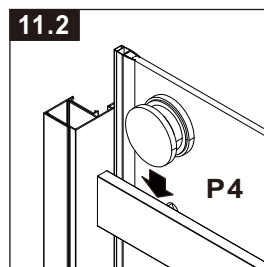
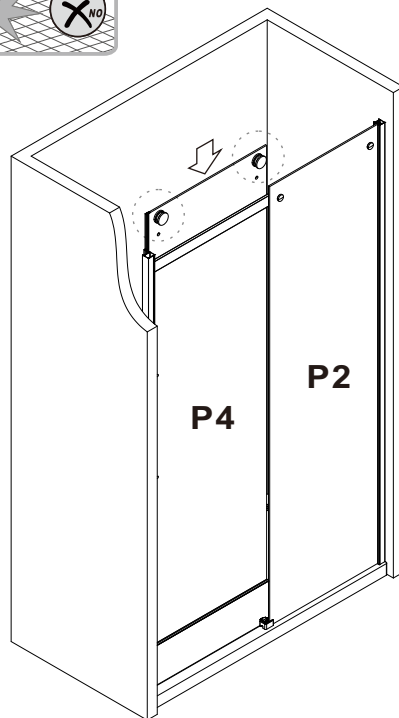
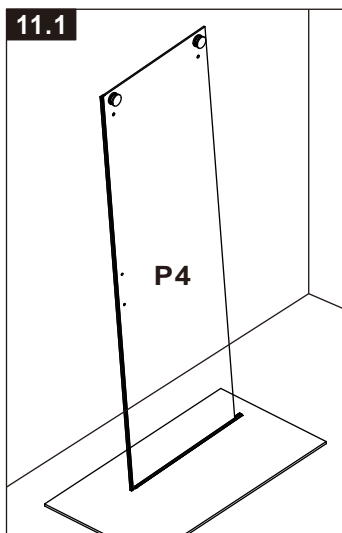
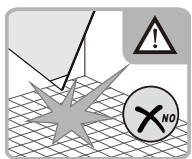
9



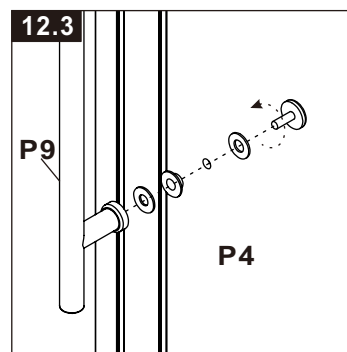
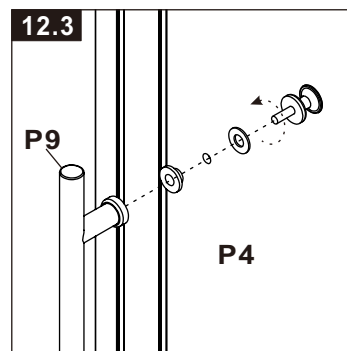
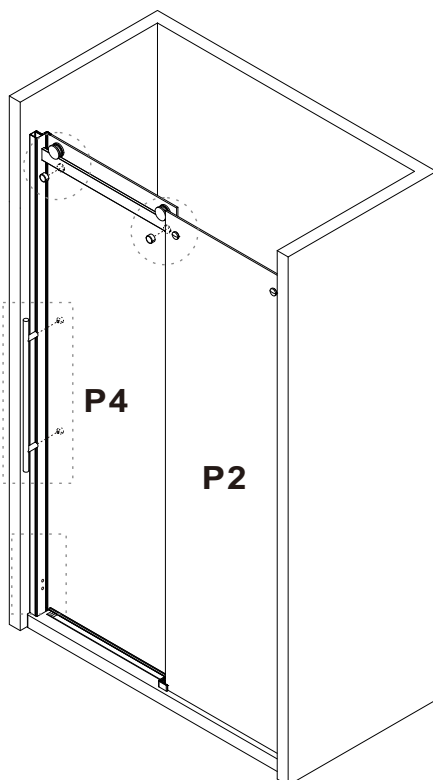
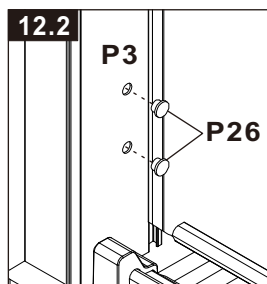
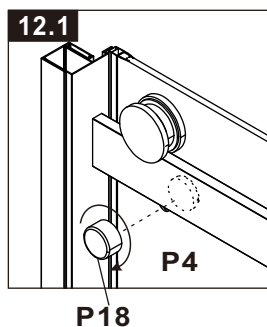
10



11

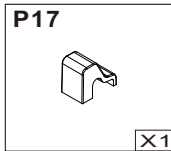
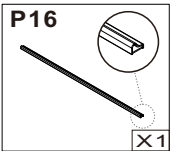
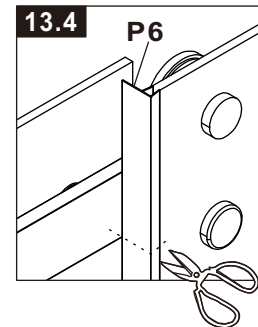
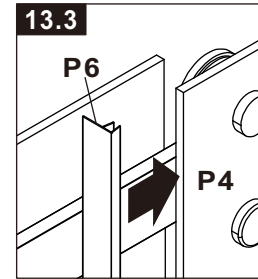
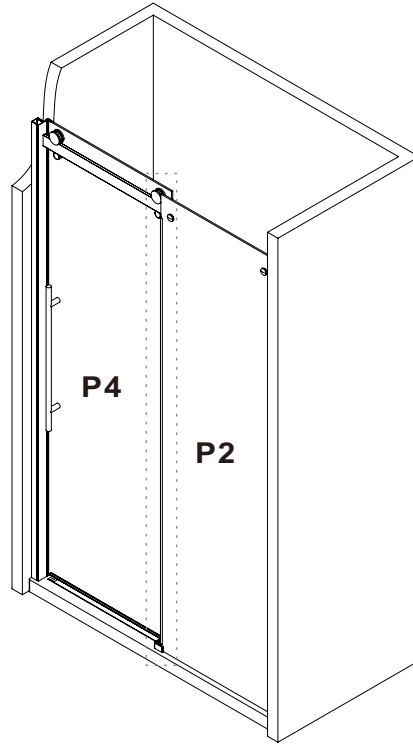
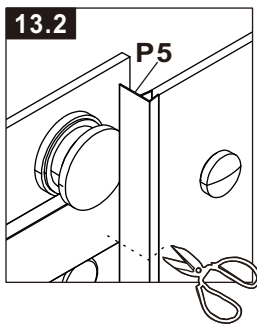
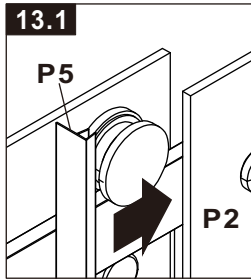
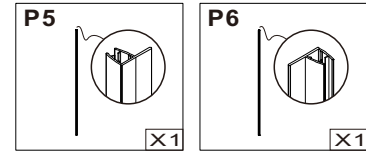


12

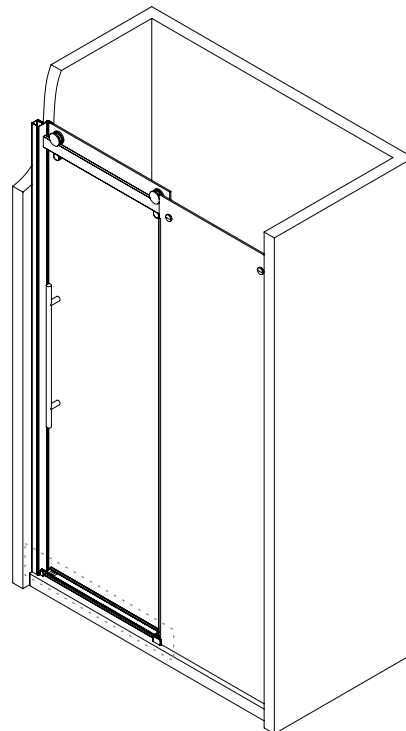
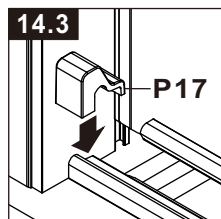
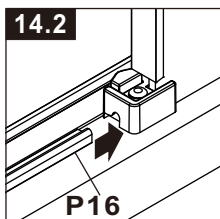
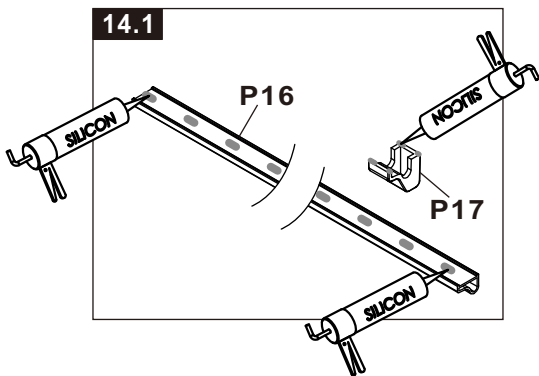




13

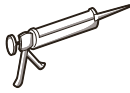


14





⊕ PH2



22

15

P22



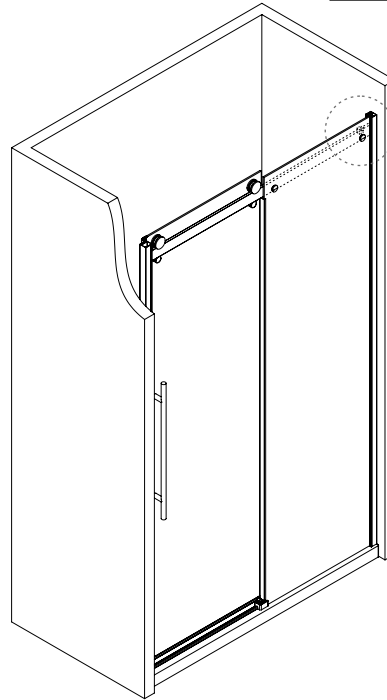
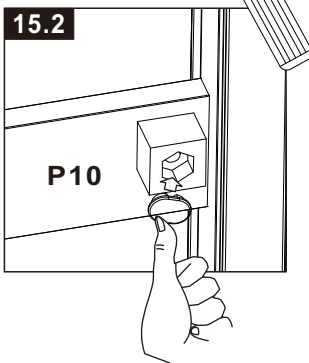
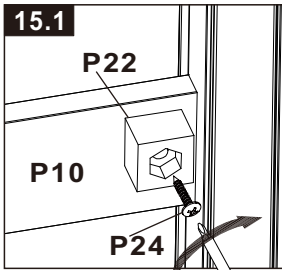
X1

P24

ST4x16MM



X1



16

