

## DESCRIPTION

- Metal construction with Chrome plated or Classic Brushed Nickel (CBN) finish
- Pressure balancing cycle valve design with 1/4 turn stops
- 3 function transfer valve
- 1/2" CC connections
- Contains: stationary showerhead, hand-held shower with non-positive pause, 69" metal hose, 30" slide bar, drop ell, vacuum breaker

**Slide bar is NOT DESIGNED TO BE A GRAB BAR**

- Applicable components are supplied with vandal resistant screws

## OPERATION

- Temperature and transfer valves both have ADA compliant lever style handles
- Temperature handle operates counterclockwise through a 270° arc with off at 6 o'clock, and the maximum hot at the 9 o'clock position
- Adjustable temperature limit stop
- Pressure balancing mechanism maintains selected discharge temperature to  $\pm 2^\circ$
- Transfer valve operates 3 distinct functions

## FLOW

- T8342** (2.5 gpm/9.5 L/min) - Chrome finish
- T8342CBN** (2.5 gpm/9.5 L/min) - Classic Brushed Nickel finish
- T8342EP15** (1.5 gpm/5.7 L/min) - Chrome finish, **WaterSense® certified**
- T8342EP15CBN** (1.5 gpm/5.7 L/min) - Classic Brushed Nickel finish, **WaterSense® certified**

## CARTRIDGE

- Pair with a brass Posi-Temp rough-in valve:
- 8370HD\*: 1/2" CC connection without integral stops
- 8371HD\*: 1/2" CC connection with integral stops
- 8372HD\*: 1/2" IPS connection with integral stops
- 8373HD\*: 1/2" PEX connection with integral stops
- 8374HD\*: 1/2" CPVC connection with integral stops
- 8375HD\*: 1/2" UPONOR connection with integral stops
- \*Includes the 1222HD Brass Posi-Temp Cartridge
- Nonmetallic/nonferrous and stainless steel materials
- Also requires the 3360 3 function transfer rough-in valve
- Accommodates back to back installations

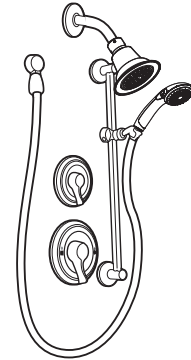
## STANDARDS

- Third party certified to: WaterSense® (only applies to 1.5 gpm), ASME A112.18.1/CSA B125.1 and all applicable requirements referenced therein

- **ADA** for lever handles

## WARRANTY

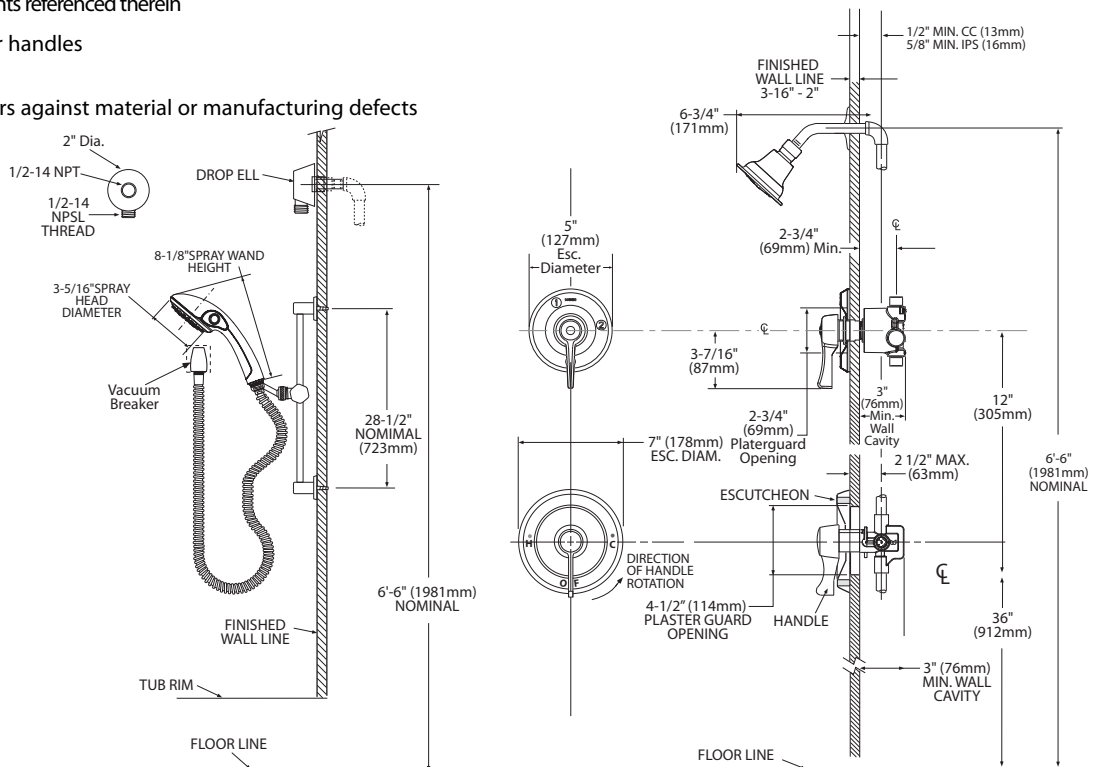
- Warranted for 5 years against material or manufacturing defects



## Three-Function Commercial Shower System



Certified by IAPMO R&T  
EP Models Only



NOTE: This valve is not intended to be used as a shut-off valve. To prevent the potential of cross flow, check valves must be integral to the supply valve or installed in both hot and cold water supply lines.

## CRITICAL DIMENSIONS

(DO NOT SCALE)

## DESCRIPTION

- Brass construction
- 1/2" PEX connections
- Pressure balancing, four port, cycle valve

## OPERATION

- Adjustable temperature limit stop to control maximum hot water temperature
- Pressure balancing mechanism maintain selected discharge temperature to  $\pm 3.6^{\circ}\text{F}$

## CARTRIDGE

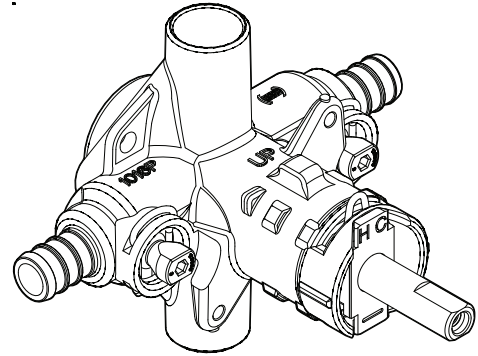
- 1222HD brass cartridge
- Metallic/nonferrous and stainless steel materials
- Accommodates back to back installations

## STANDARDS

- Third party certified to: ASME A112.18.1/CSA B-125.1 and all applicable requirements referenced therein including NSF61/9
- Moen's Posi-Temp® and Moentrol® valves with graphite composite spools combined with Moen's Eco-performance showerheads meet the performance requirements of pressure and temperature variation of ASSE1016 when tested as low as 1.5 gpm

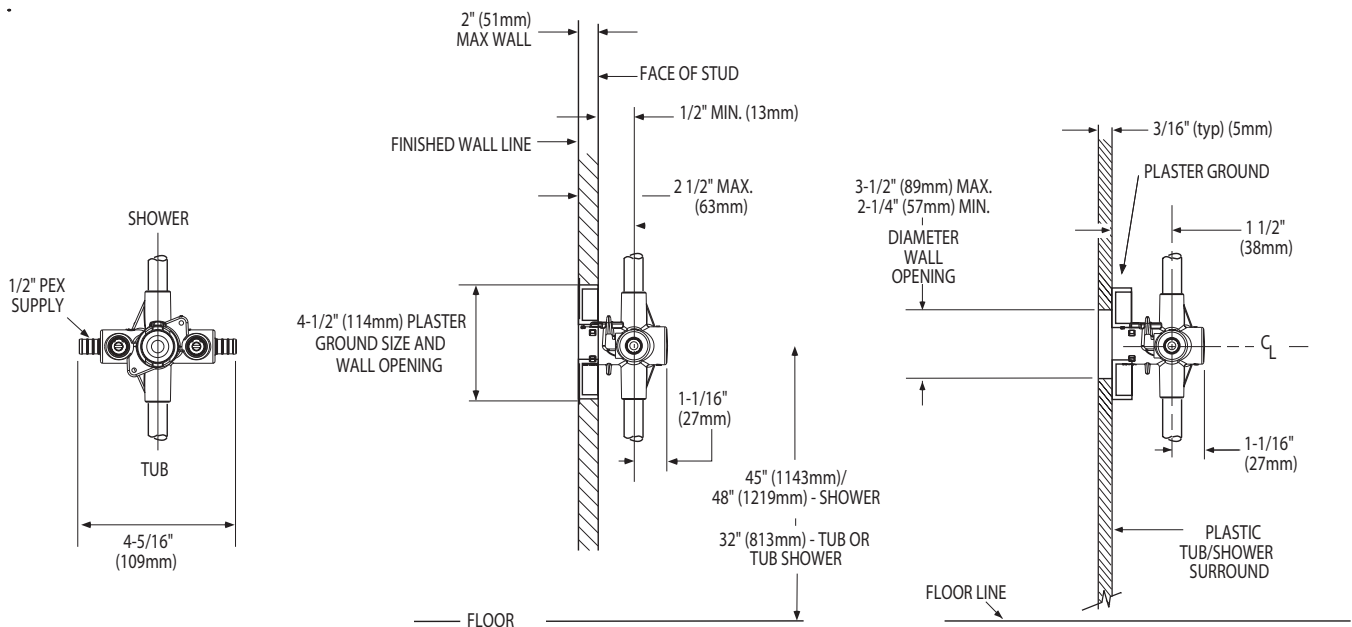
## WARRANTY

- Warranted for five years against material or manufacturing defects



## POSI-TEMP® VALVE Pressure-Balancing Valve with 1/4 Turn Stops

Model: 8373HD



## CRITICAL DIMENSIONS

(DO NOT SCALE)