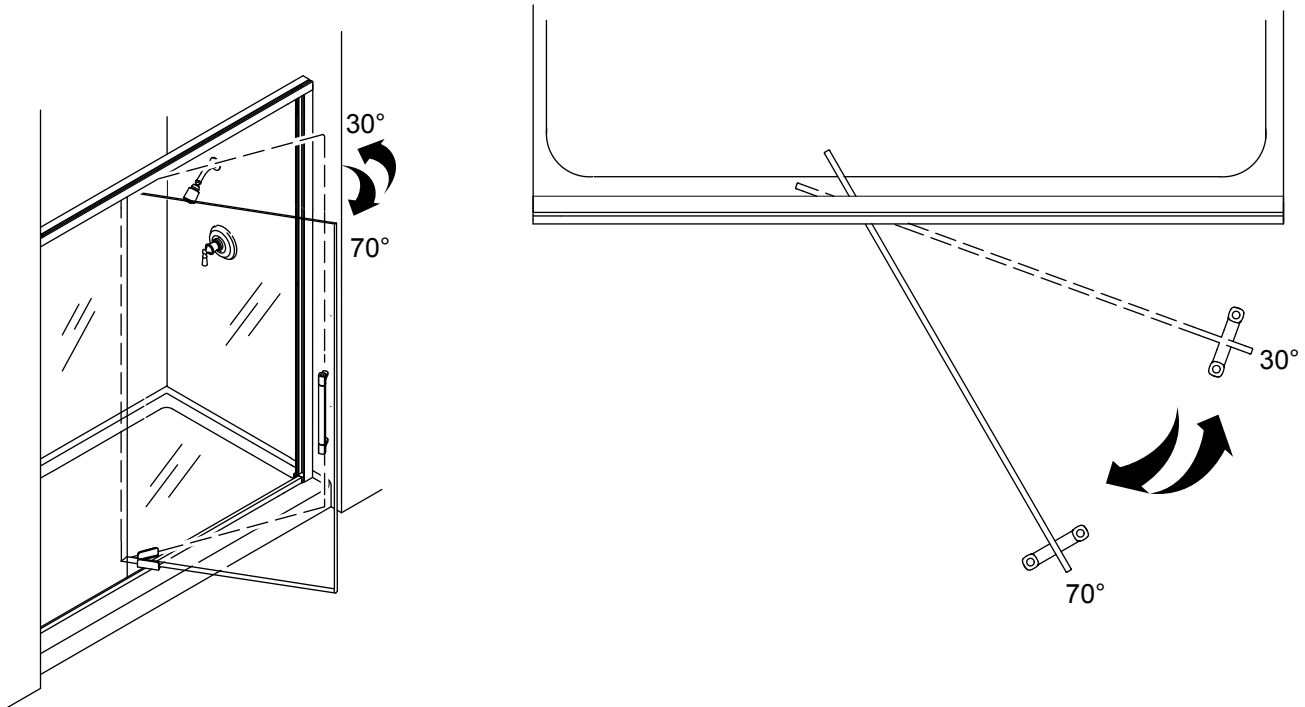


Overview

If the door closes quickly without resistance, the soft-close assembly may need to be primed.

Prime the Soft-Close Assembly



- ❑ Using the handle, open the door to 70° and then forcibly close the door to 30°. Do not fully open or fully close the door.
- ❑ Repeat the opening and closing motion, up to 25 cycles, to prime the soft-close assembly.
- ❑ If the door continues to close without resistance, contact the Customer Care Center.

Need help? Contact our Customer Care Center.

USA/Canada: 1-800-4KOHLER (1-800-456-4537) Mexico: 001-800-456-4537

Hours of Operation: Monday-Friday 8:00 AM -5:00 PM (CT)

Languages Spoken: English, Spanish, and translation services are available.