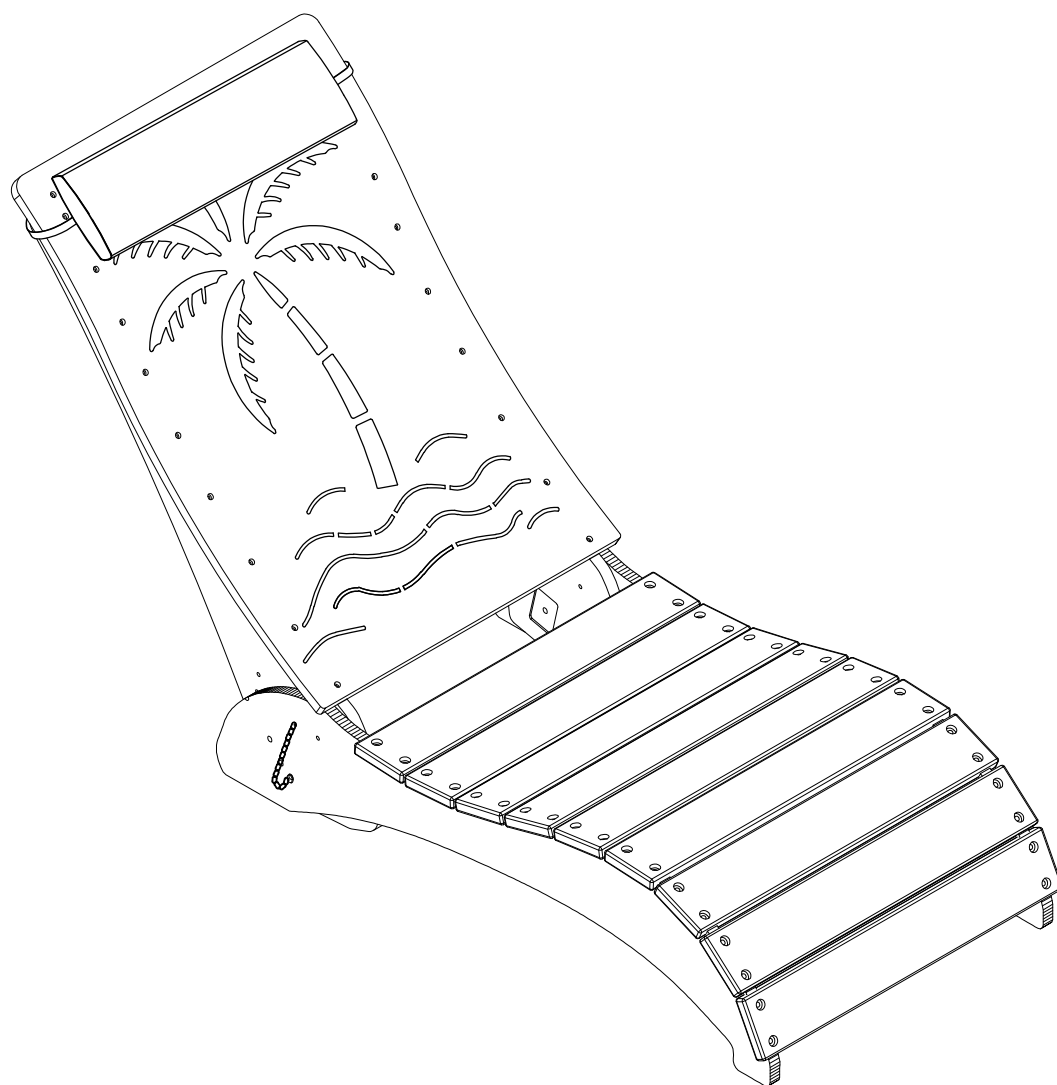


# PATIO RECLINER CHAIR ASSEMBLY INSTRUCTION



If you have any questions, feel free to email us  
at [zzwservice@gmail.com](mailto:zzwservice@gmail.com)

# THANK YOU

[zzwservice@gmail.com](mailto:zzwservice@gmail.com)

## **Register and Get the Full Benefit**

It's our way of saying thank you.

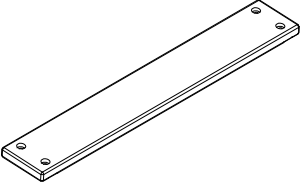
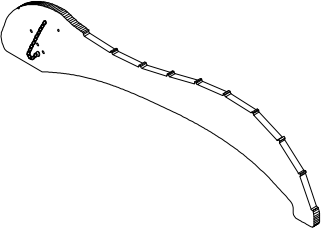
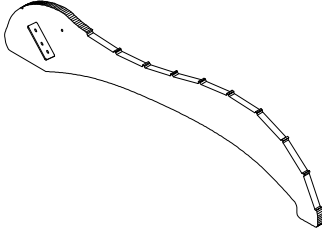
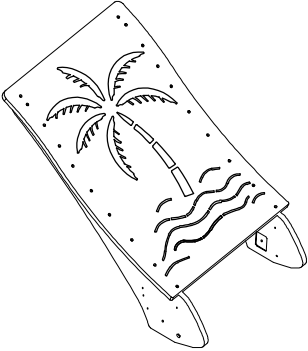
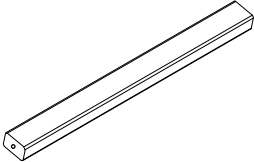
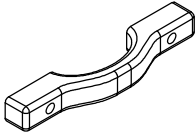
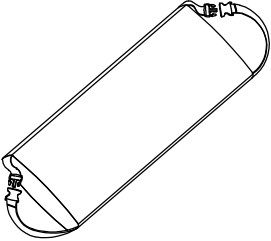
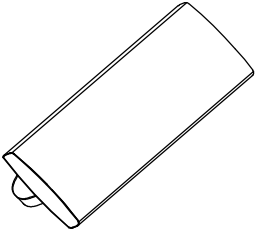
Register your product to enjoy a number of benefits:

- (1) 1-year warranty extension
- (2) 24/7 quicker service and product support
- (3) Chance to test new products for free
- (4) Get specific discount on shop items

Register Way: Send " your name + order ID " to  
[zzwservice@gmail.com](mailto:zzwservice@gmail.com)

# Assembly Instruction

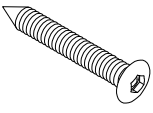
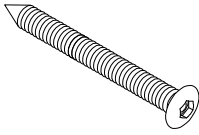
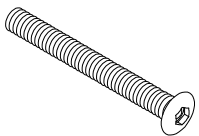
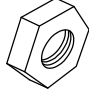
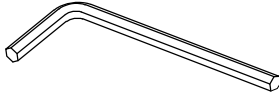
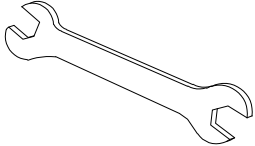
## Parts List

<b>A</b> 	<b>B</b> 	<b>C</b> 
18PCS	2PCS	2PCS
<b>D</b> 	<b>E</b> 	<b>F</b> 
2PCS	2PCS	4PCS
<b>G</b> 	<b>H</b> 	
2PCS	2PCS	

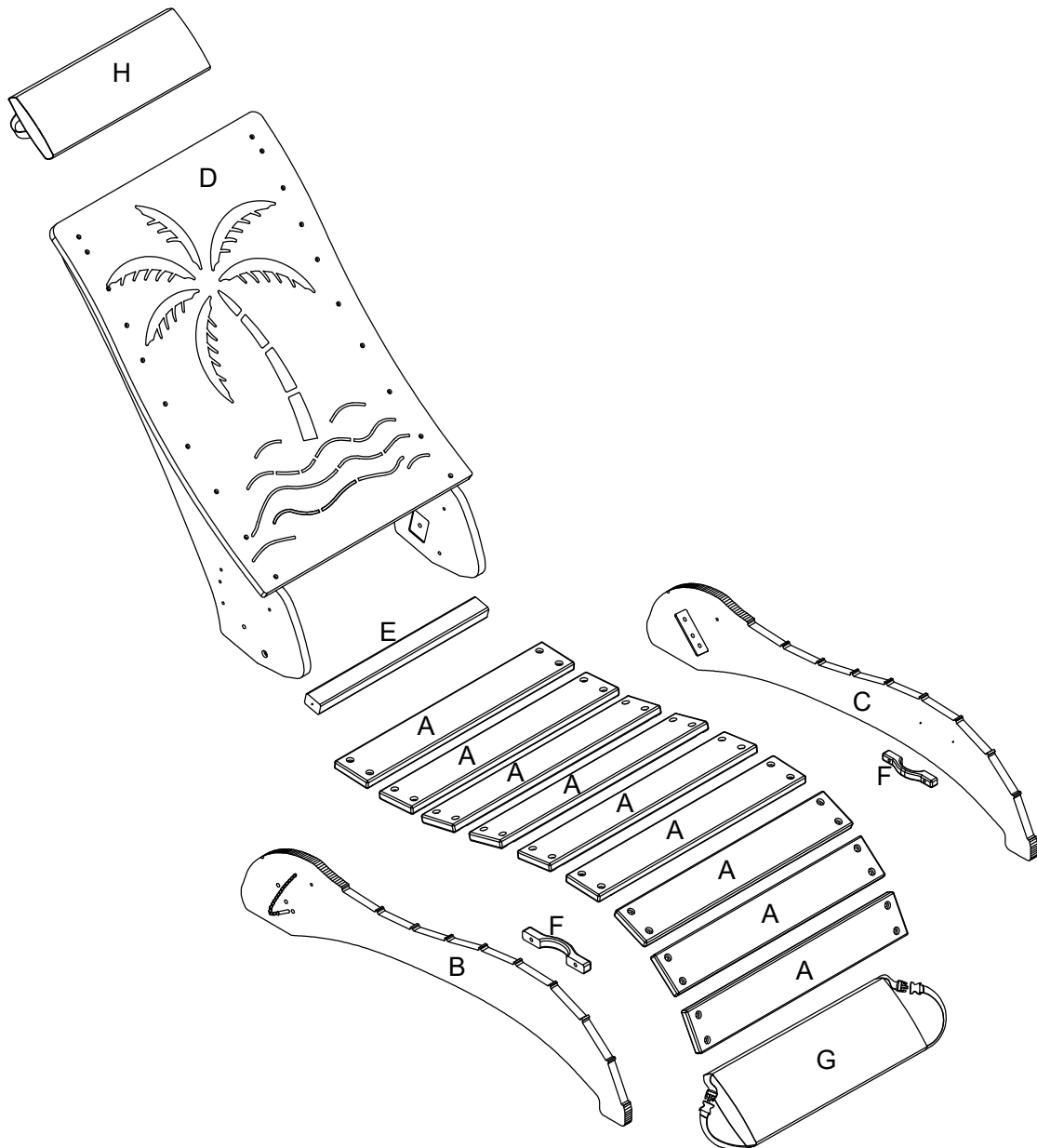
Upon unboxing, a slight paint odor is normal and will dissipate naturally within 1-2 days.

# Assembly Instruction

## Parts List

#1	 M6*30mm 80PCS	#2	 M6*40mm 4PCS	#3	 M6*45mm 4PCS
#4	 M6mm 4PCS	#5	 Allen Key(M6mm) 1PC	#6	 Wrench(M6) 1PC

# Assembly Instruction



# Assembly Instruction

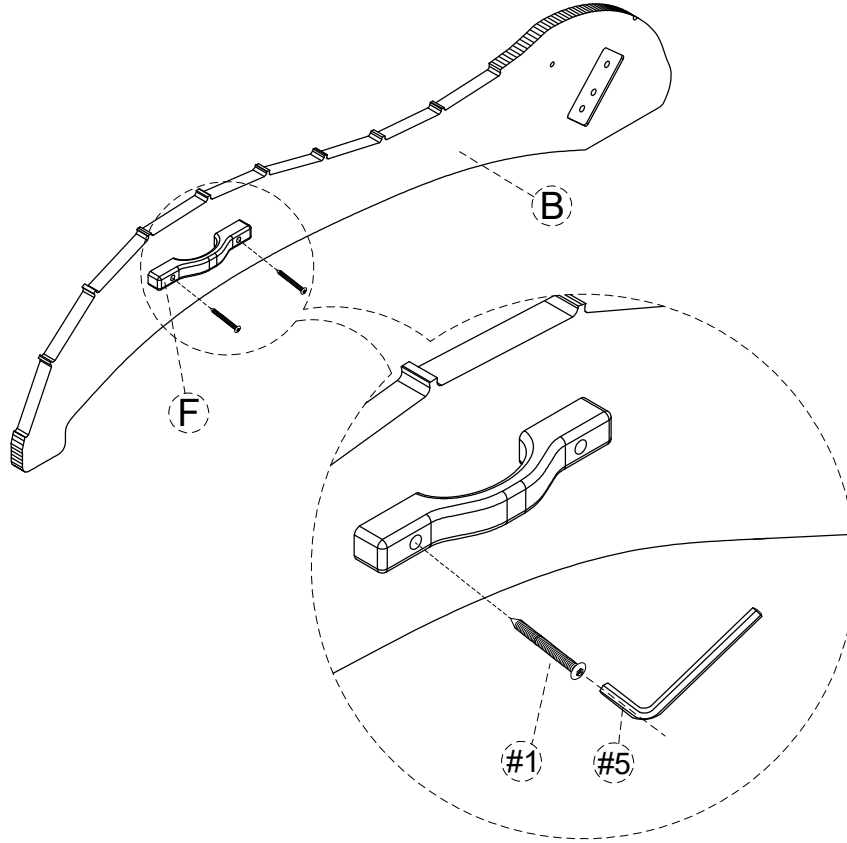
## STEP 1

B\*1

F\*1

#1\*2

#5\*1



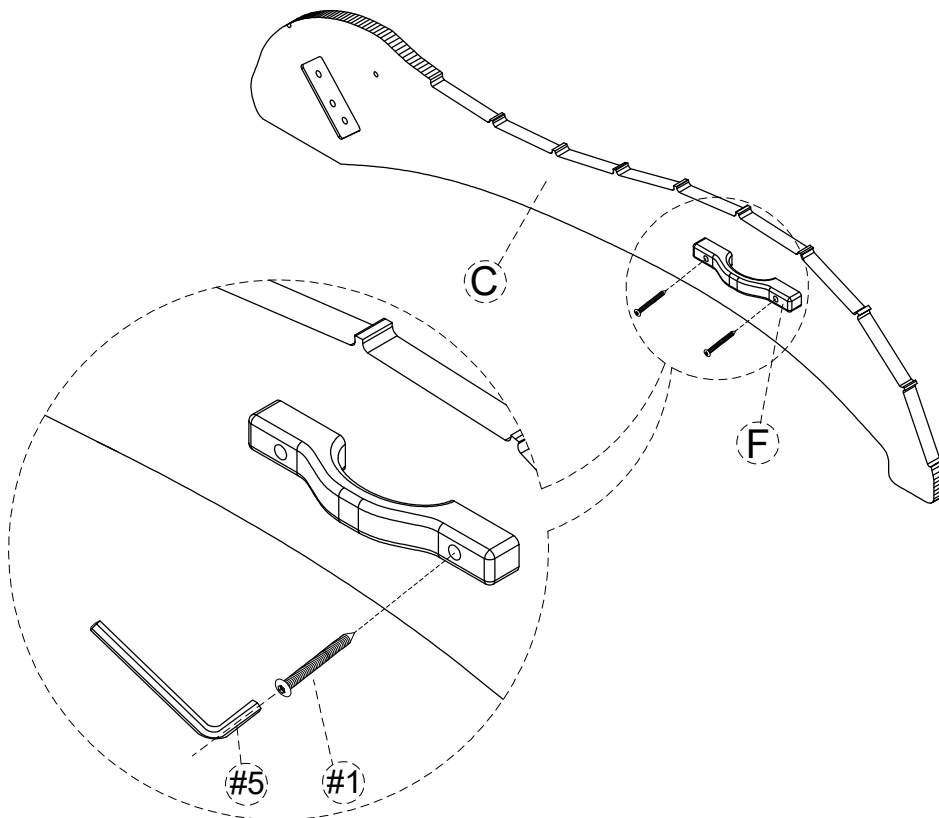
## STEP 2

C\*1

F\*1

#1\*2

#5\*1



# Assembly Instruction

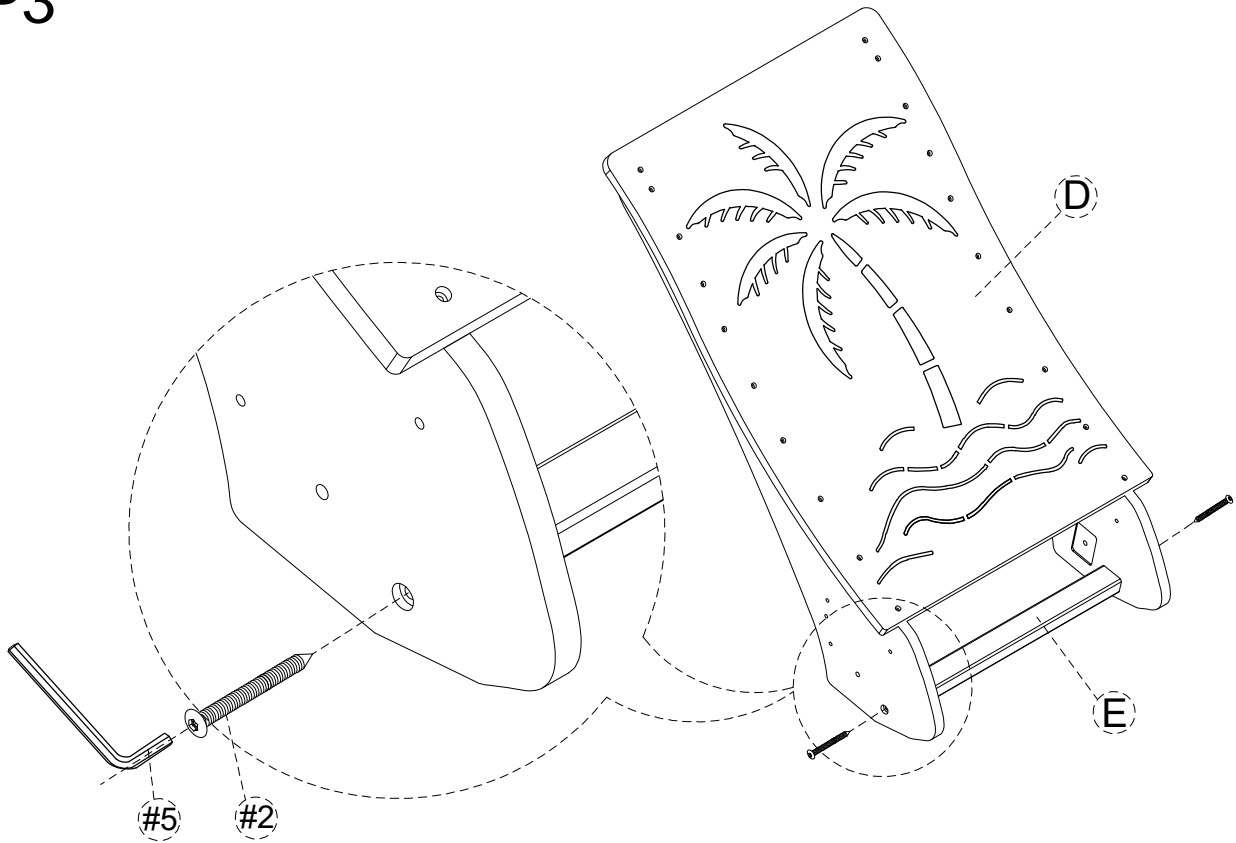
## STEP 3

D\*1

E\*1

#2\*2

#5\*1



## STEP 4

B\*1

C\*1

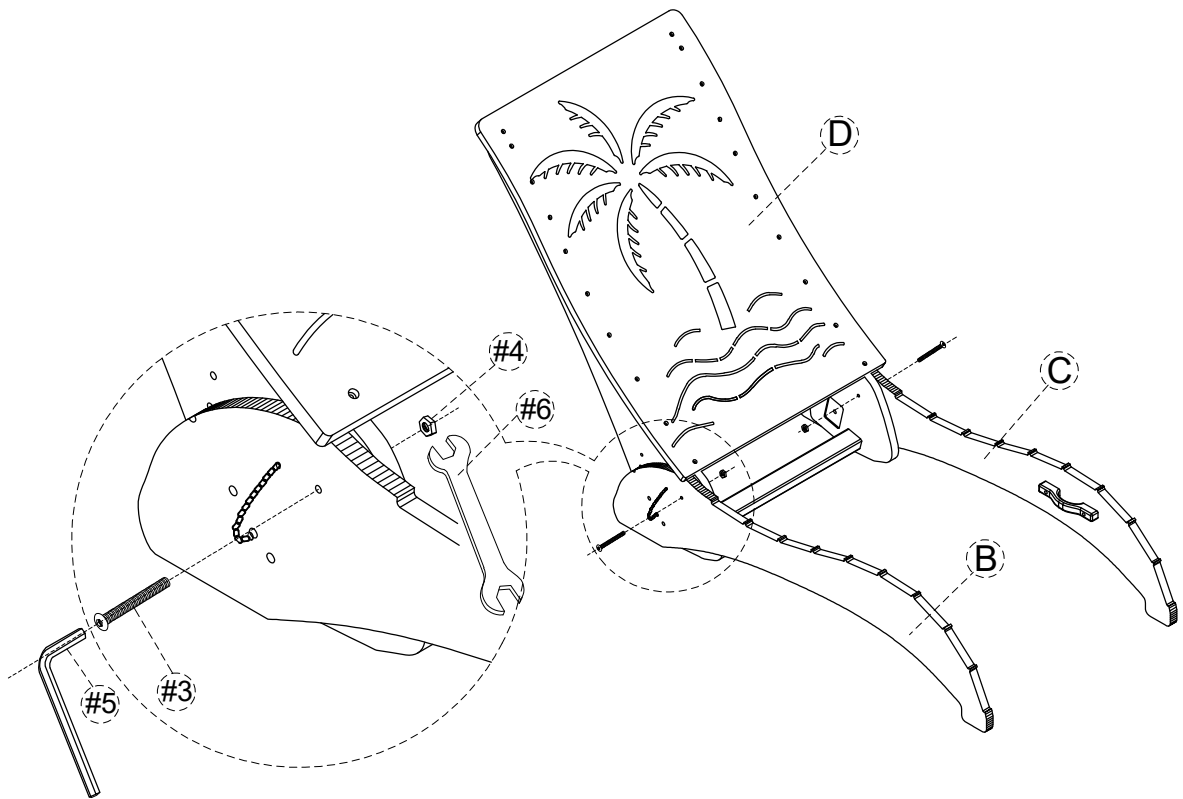
D\*1

#3\*2

#4\*2

#5\*1

#6\*1



After adjusting the backrest to position L2 (refer to STEP 10), proceed to install Parts A. This step helps ensure easier installation and prevents the backrest from tipping backward.

# Assembly Instruction

## STEP 5

A\*1

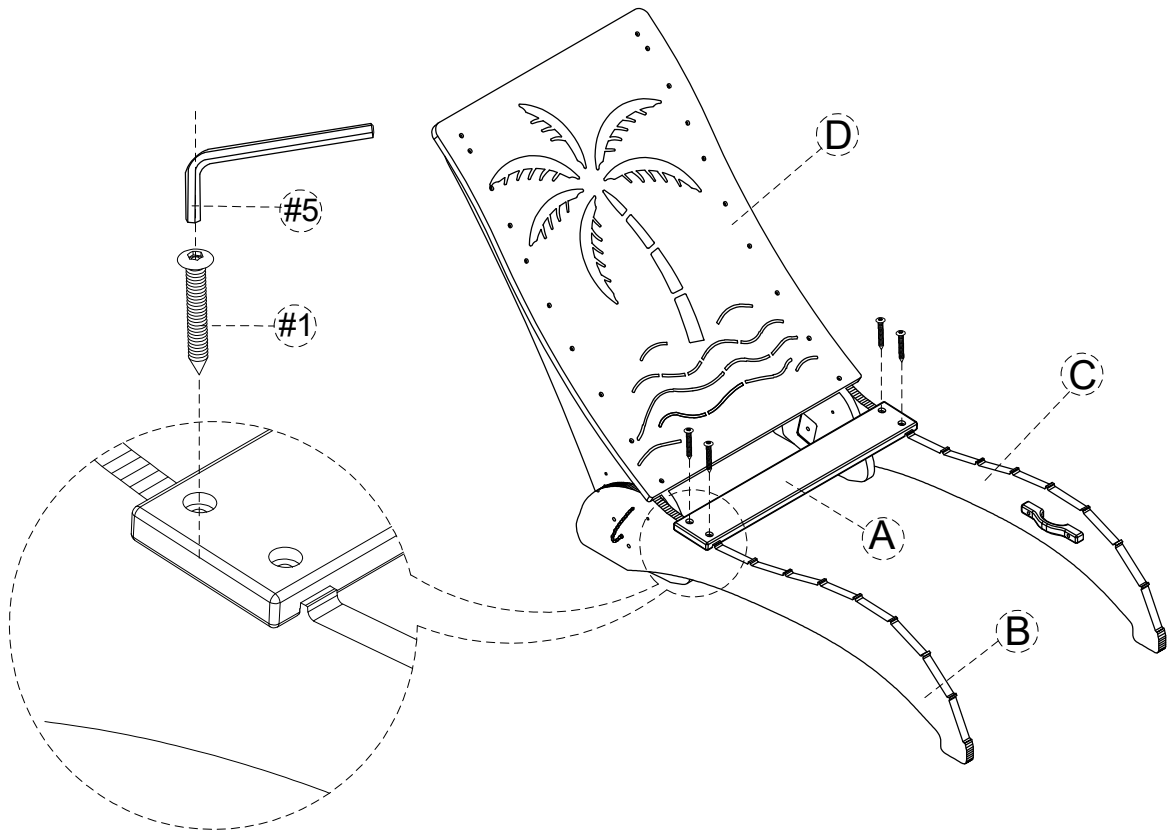
B\*1

C\*1

D\*1

#1\*4

#5\*1



Please do not tighten the screws in this step.

## STEP 6

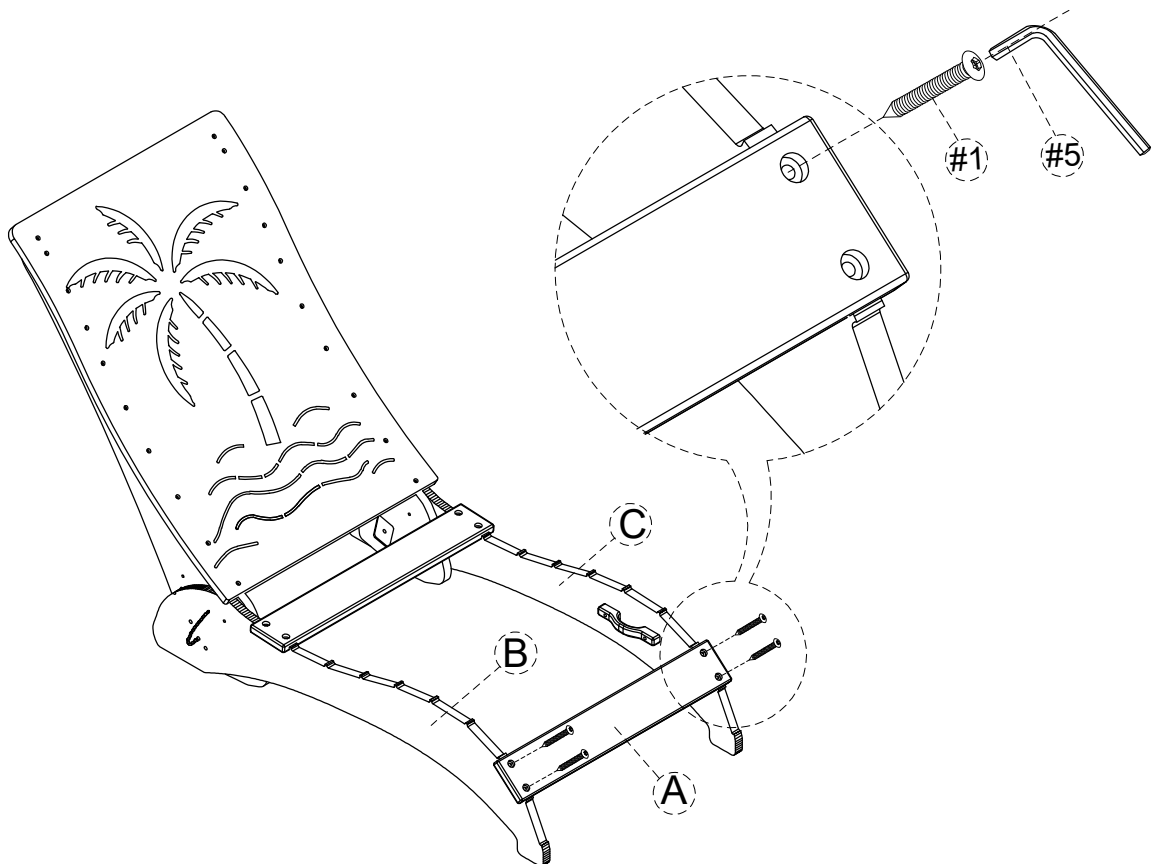
A\*1

B\*1

C\*1

#1\*4

#5\*1



Once all A panels are installed, tighten the screws.

# Assembly Instruction

## STEP 7

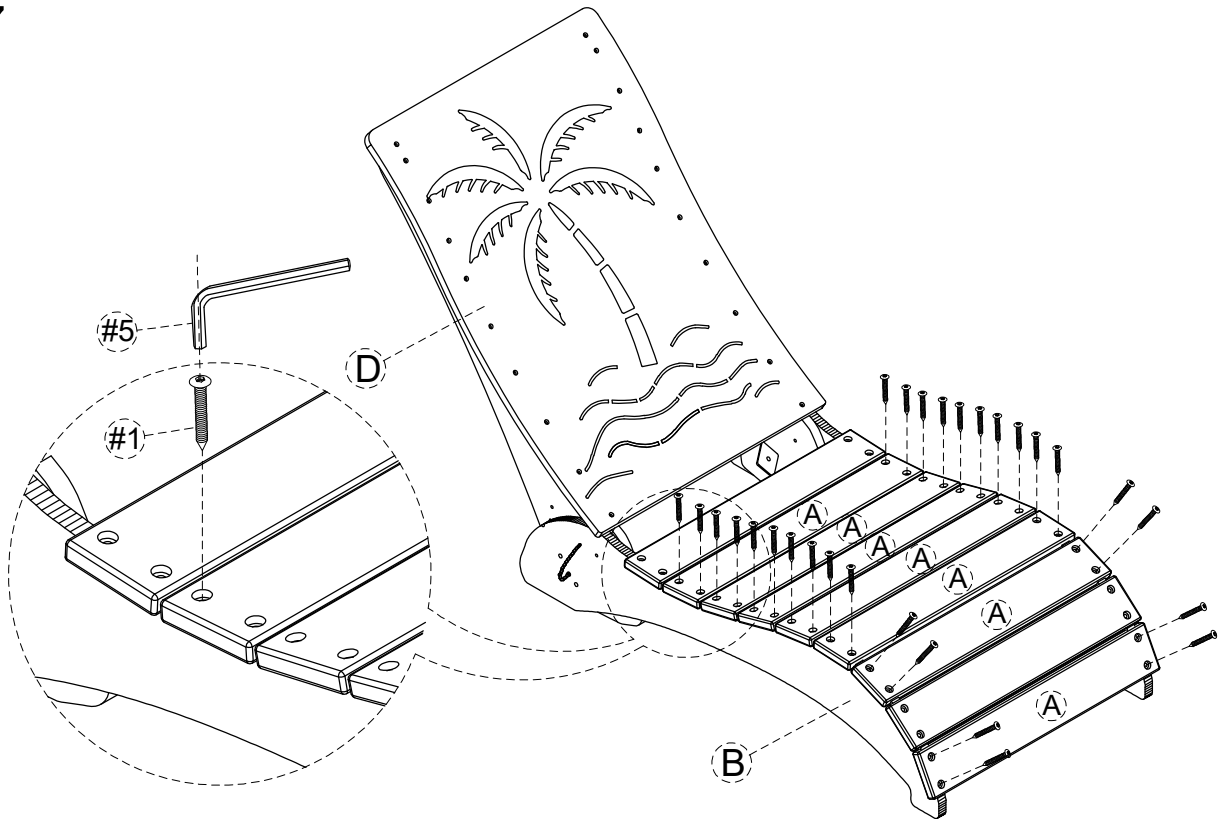
A\*7

B\*1

D\*1

#1\*28

#5\*1



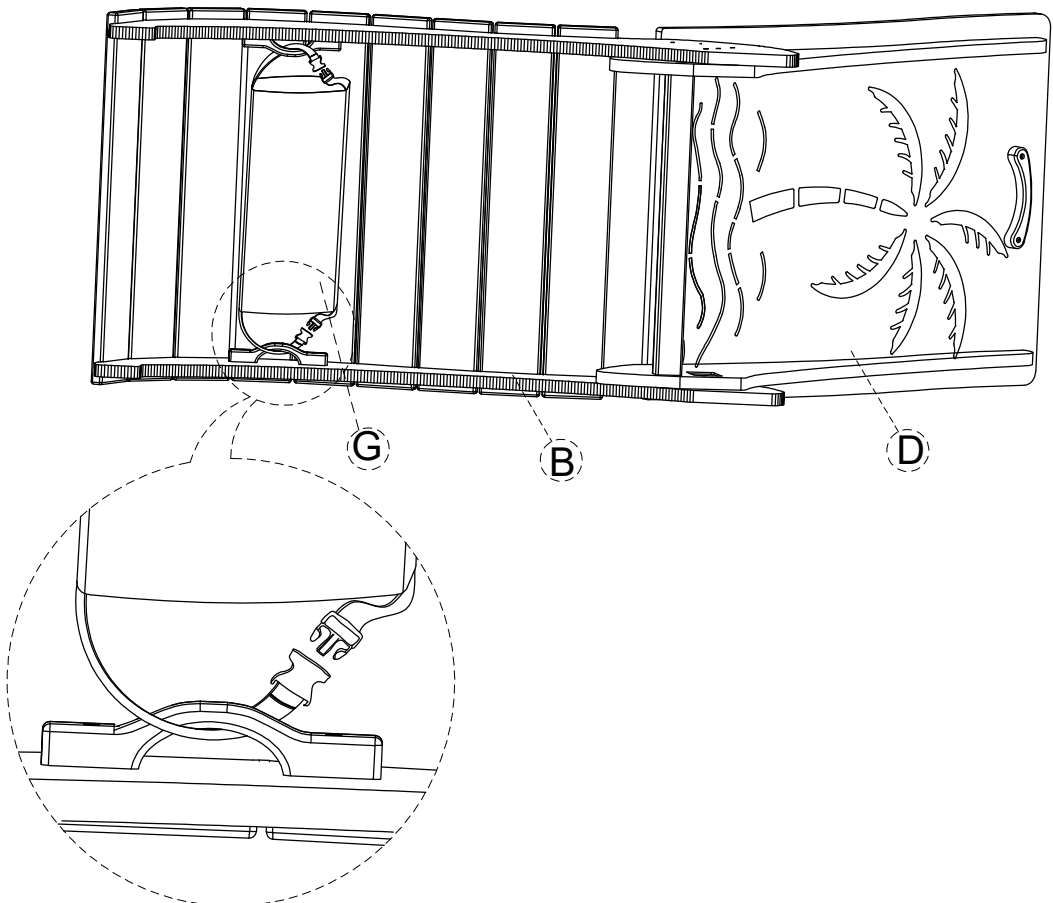
Tighten all the screws.

## STEP 8

B\*1

D\*1

G\*1



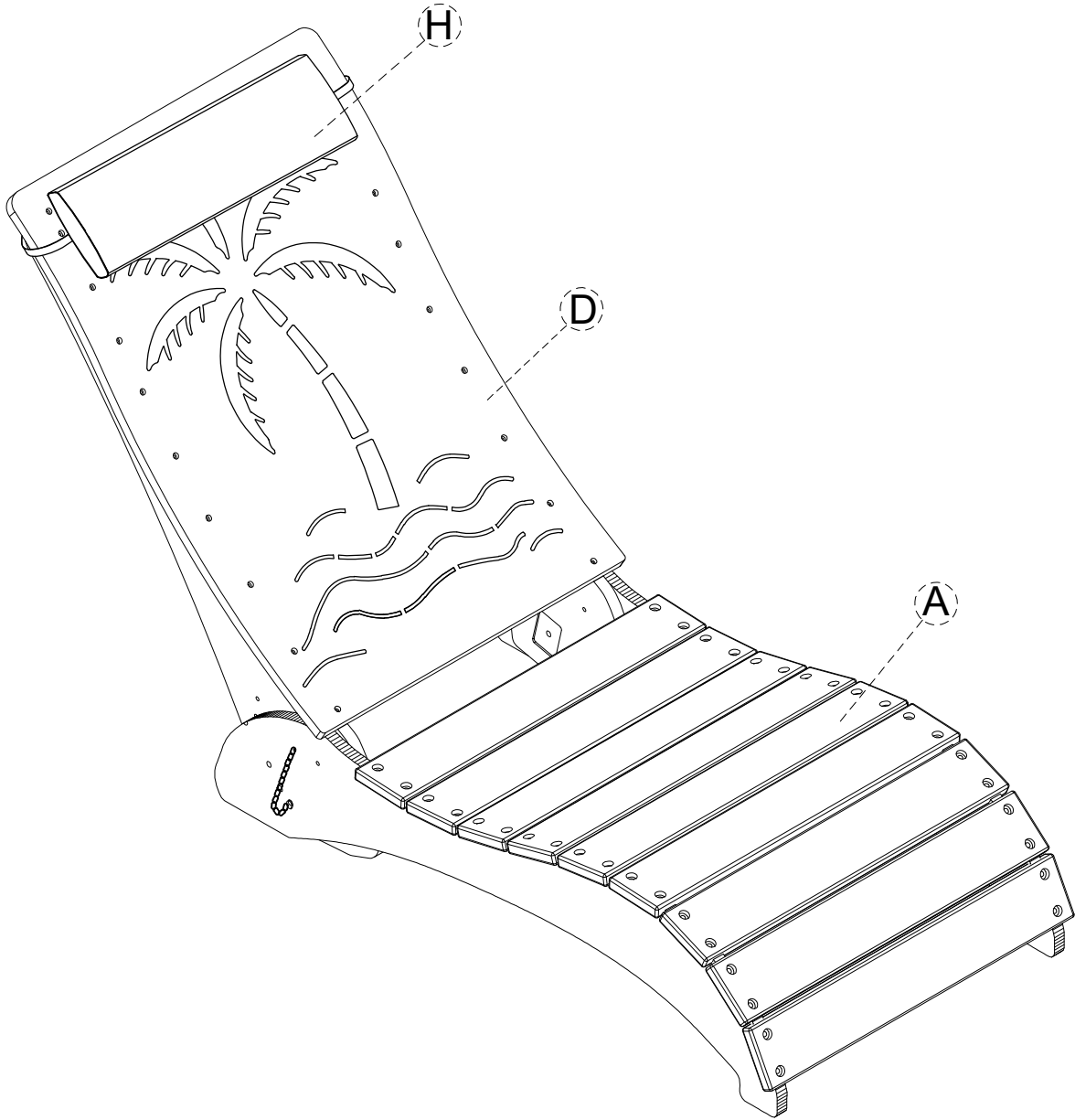
# Assembly Instruction

## STEP 9

A\*1

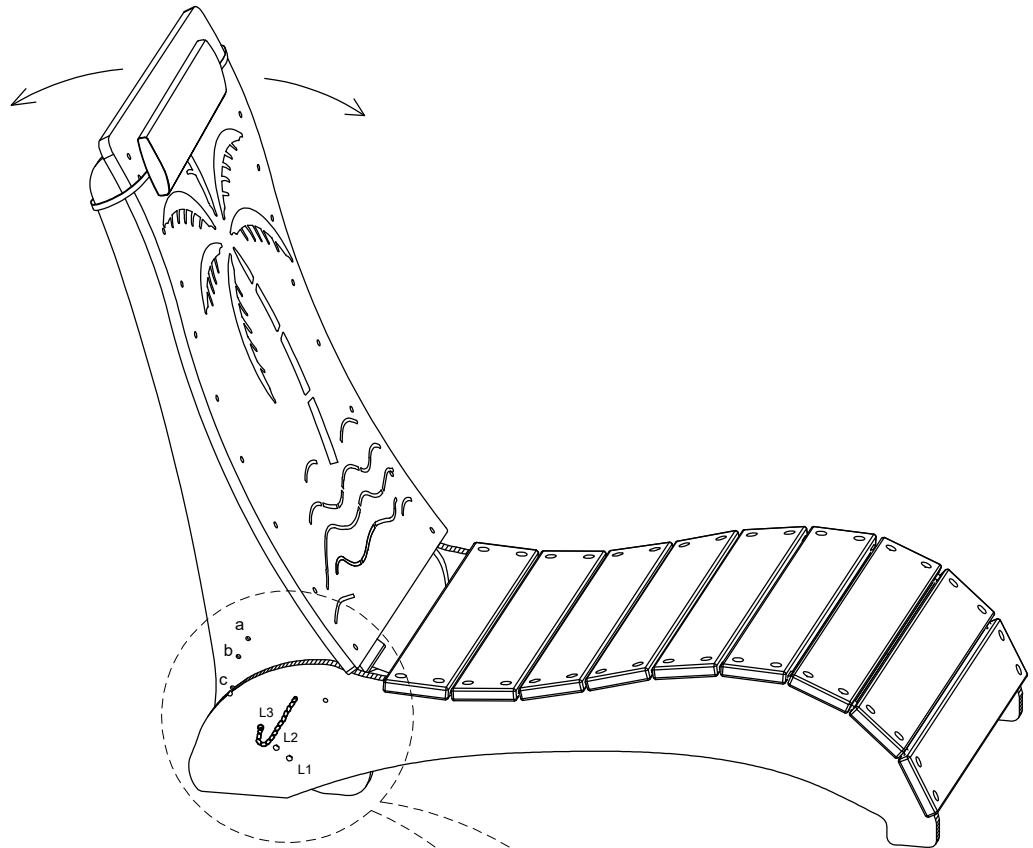
D\*1

H\*1



# Assembly Instruction

## STEP 10

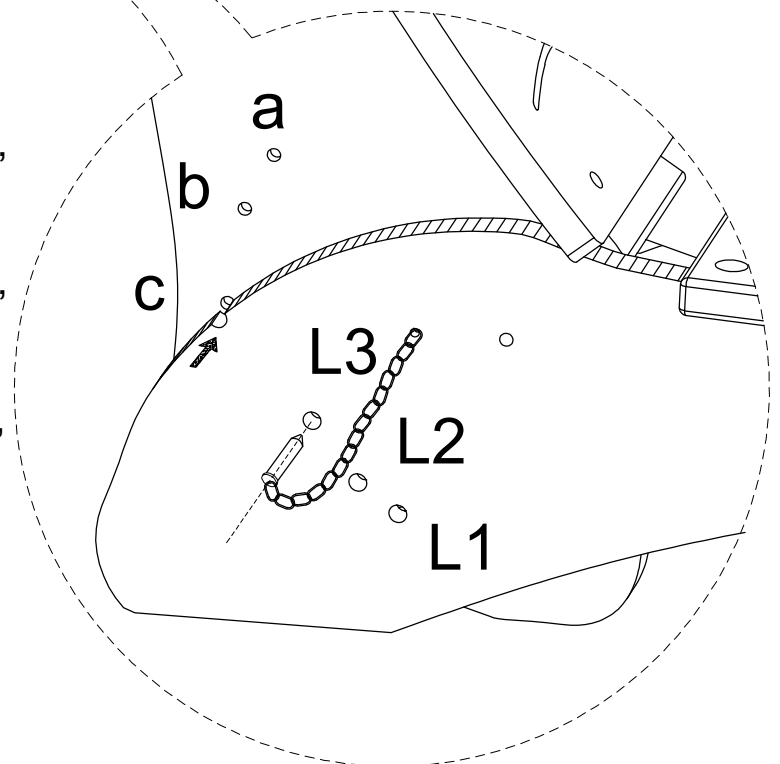


**Adjust the three positions L1-L3 to change the backrest angle.**

Angle 1: Align the groove with hole a, then engage the pin at L1.

Angle 2: Align the groove with hole b, then engage the pin at L2.

Angle 3: Align the groove with hole c, then engage the pin at L3.



To adjust the backrest position, insert the plug into the corresponding hole. If the plug does not fit easily, gently move the back panel back and forth until it aligns and can be inserted.

## STEP 11

