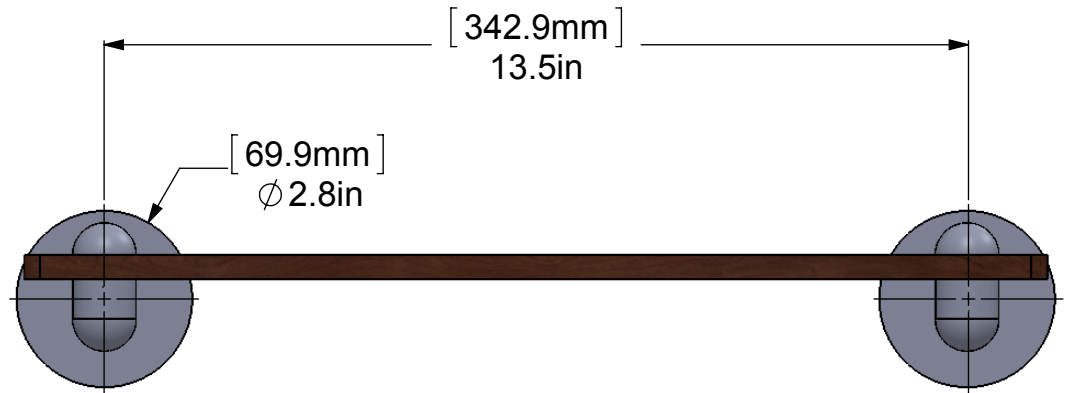
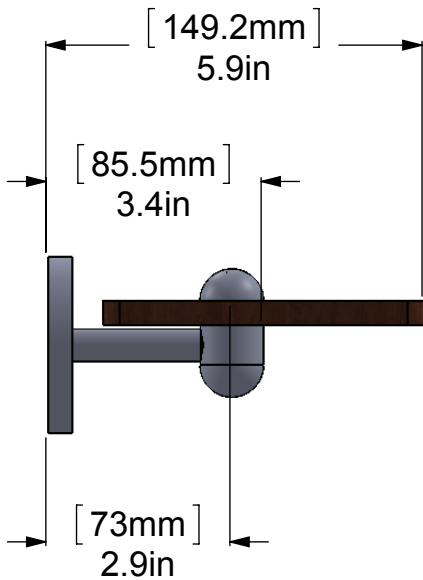
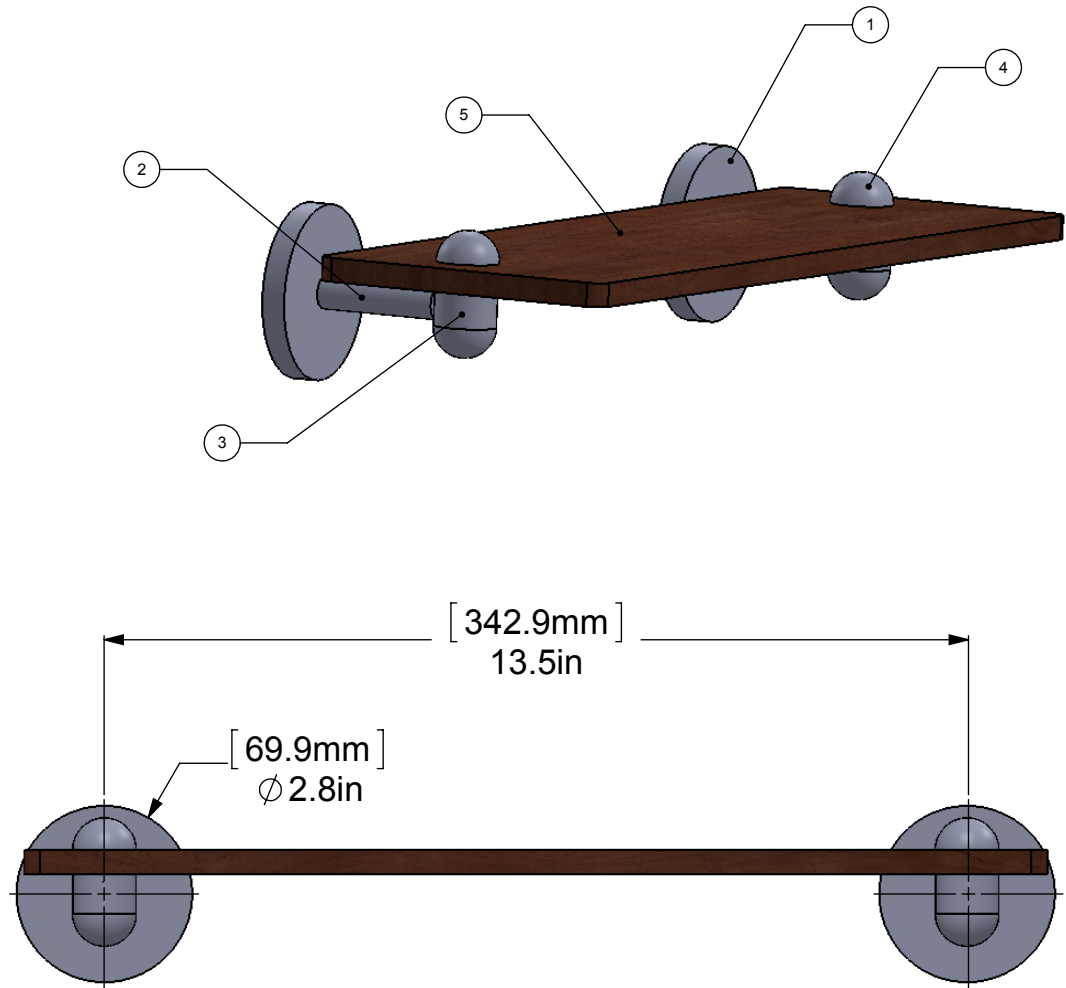


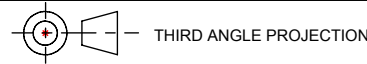
ITEM NO.	PART NUMBER	DESCRIPTION	QTY.
1	BPRD	Base	2
2	TU12-2	NECK	2
3	HBIT-1	Hub	2
4	CAHR-1	CAP	4
5	IRWRT-16	WOOD SHELF	1



UNLESS OTHERWISE STATED

.X	±.3mm
.XX	±.15mm
.XXX	±.008mm

COPYRIGHT © Allied Brass 2016



DRAWN	1/15/2017	I.M	MATERIAL:	BRASS	FINISH	TBD
CHECKED	1/15/2017	P.D	DESCRIPTION:	SHELF	QUANTITY	TBD
APPROVED	1/15/2017	R.A	DRAWING No.		REV	
				TA-1-16-IRW		0
				SCALE	1:3	SHEET: 01