

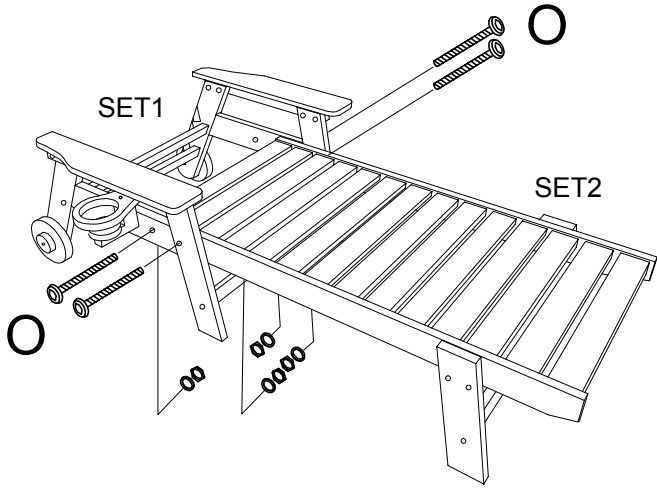
Assembly Instructions



Note: Do not tighten all screws until last step

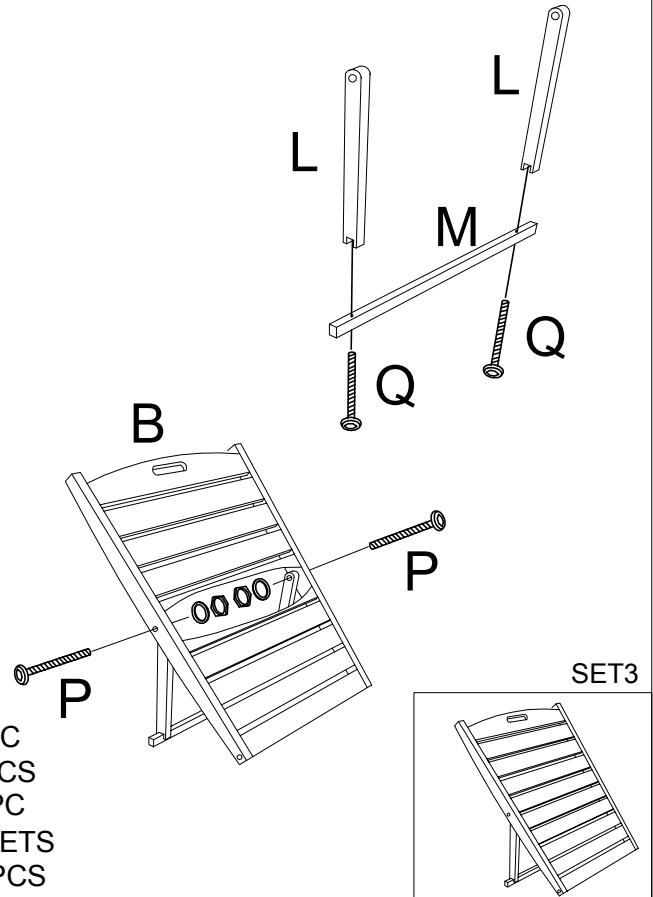
		A (1pc)	B (1pc)	C (4pcs)	
D (1pc)	E (1pc)	F (1pc)	G (1pc)	H (2pcs)	
I (2pcs)	J (1pc)	K (1pc)	L (2pcs)	M (1pc)	
N (1pc)	O (14sets)	P (2sets)	Q (2pcs)	R (8pcs)	
	6X55mm	6X60mm	6X60mm	6X60mm	
S (1pc)	T (2sets)	TOOLS & MATERIALS NEEDED			
6X40mm	10X80mm				

5



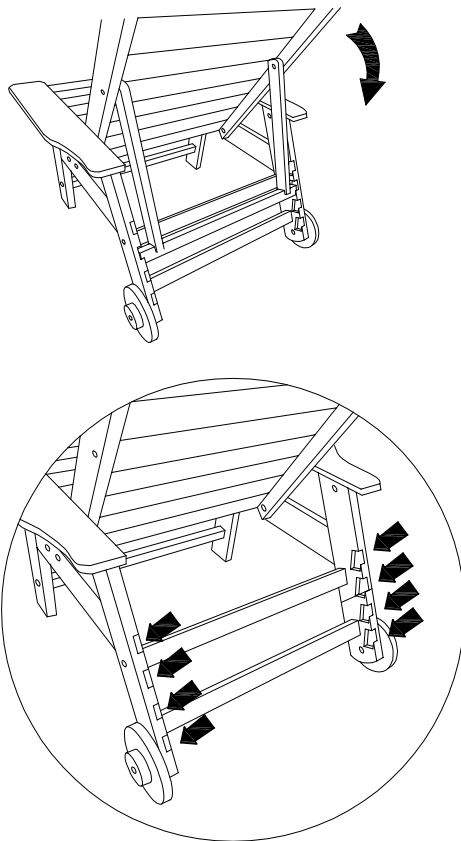
SET1
 SET2
 O=4SETS

6

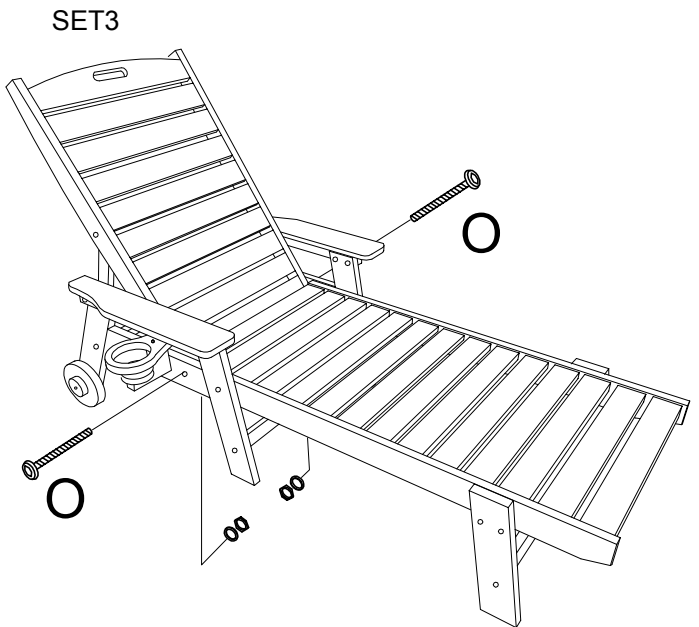


B = 1PC
 L = 2PCS
 M = 1PC
 P = 2SETS
 Q = 2PCS

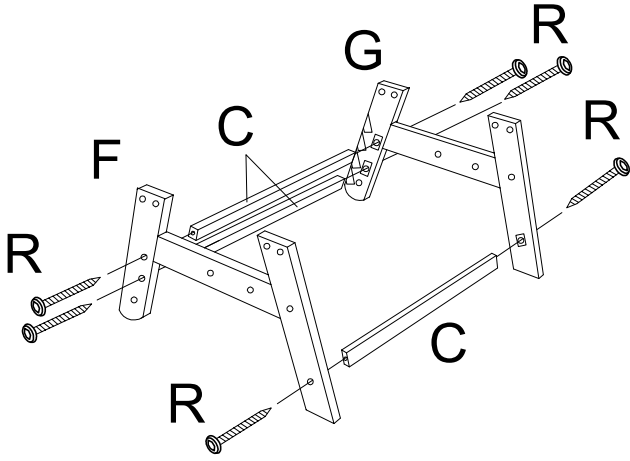
7



SET3
 O=2SETS

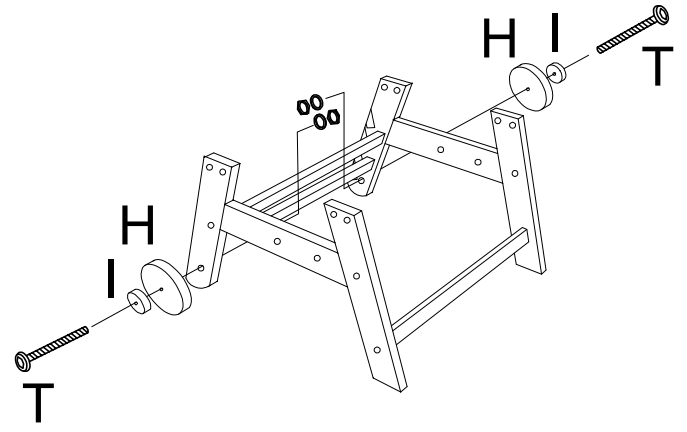


1



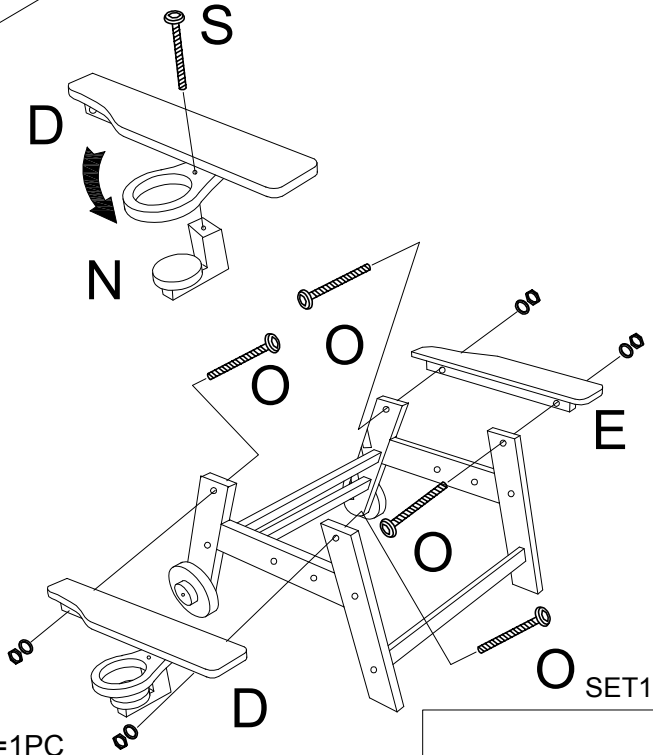
C = 3PCS
 F = 1PC
 G = 2PCS
 R = 6PCS

2

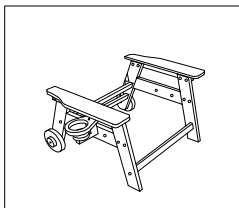


H = 2PCS
 I = 2PCS
 T = 2SETS

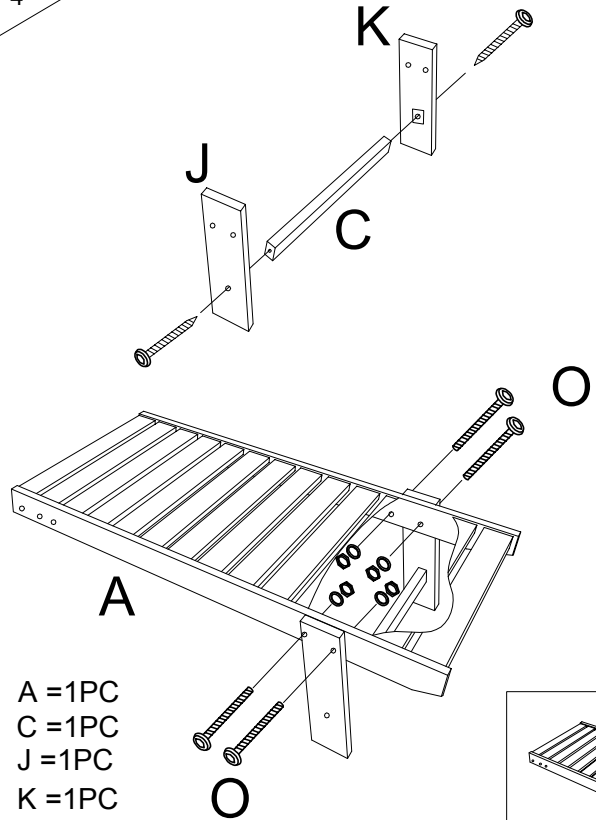
3



D = 1PC
 E = 1PC
 N = 1PC
 O = 4SETS
 S = 1PC



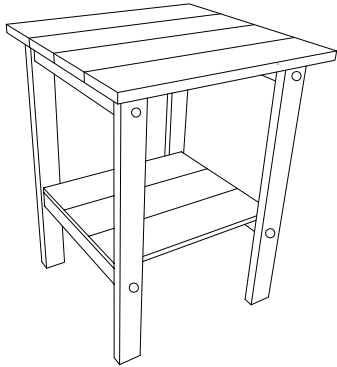
4



A = 1PC
 C = 1PC
 J = 1PC
 K = 1PC
 O = 4SETS
 R = 2PCS



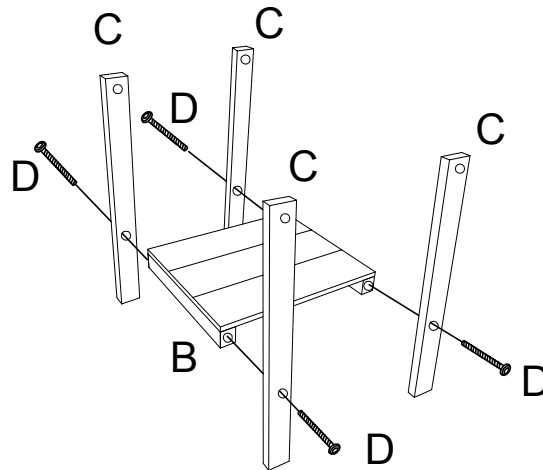
polywood side table Assembly Instructions



A (1pc)	B (1pc)
C (4pcs)	D (8pcs)
6X40MM	
TOOLS & MATERIALS NEEDED	
F (4pcs)	

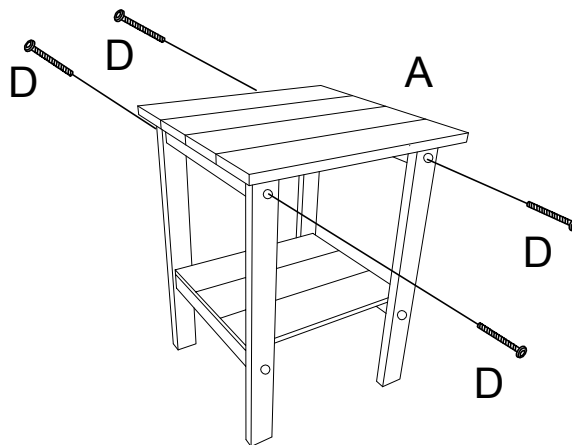
Note: Do not tighten all screws until last step

1



B=1PC
C=4PCS
D=4PCS

3



A=1PC
D=4PCS