

1-Light Conical Metal Pendant

Caution: Please turn off power before installation and read the manual carefully, we advise you contact professional electricians to install for safety purpose.

Product Features

Style: Modern/Contemporary/Minimalist

Material: Metal

Color: Gold & White

Base Type: E26 Base

Light Source Included: NO

Voltage: 120VAC

Wattage: 60W

Package includes

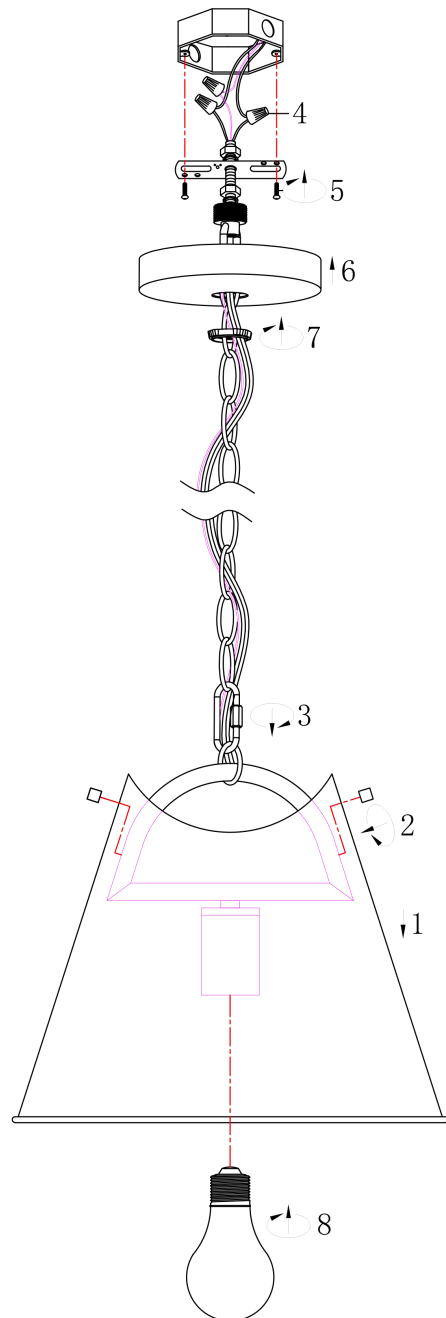
1 x Pendant Light

1 x Accessories Kit

1 x User's Manual

Installation Instructions

- 1-2. Secure the bell lampshade on U-shaped fixture frame with flat nuts.
3. Attach the chain to the fixture loop.
4. Connect the fixture wires (Neutral, Live and Ground wire) to corresponding wires reserved in the junction box using wire nuts.
5. Secure the mounting plate to the junction box with the provided screws.
- 6-7. Position the canopy over the mounting plate and fasten it by tightening the collar ring.
8. Assemble the bulbs (not included) on the lamp holders.



Note: please use this product accordingly to its intended purpose, do not retrofit or remodeling the product. The warranty does not cover if the failure is caused by the third party product, or natural disasters.