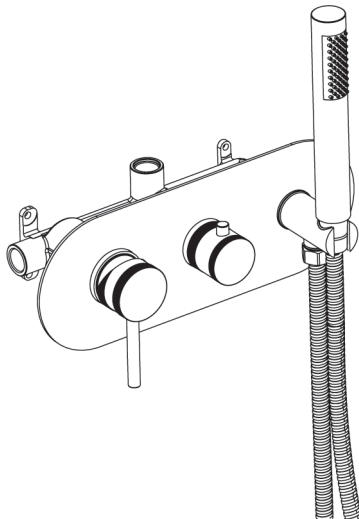


# INSTALLATION MANUAL

Pressure Balance  
Shower Set



# ENGLISH

## SAFETY NOTES

- ⚠ WARNING: To prevent product failure, property damage, and personal injury, please follow these guidelines:
- ⚠ The shower is designed exclusively for bathing, personal hygiene, and body cleaning purposes.
- ⚠ The shower arm is intended solely to support the showerhead. Do not hang any additional items from the shower arm.
- ⚠ Regularly clean your CRANACH product as needed to prevent the buildup of mineral scale and/or soap residue.
- ⚠ Please refer to the Care And Cleaning when choosing a cleaning agent for this product. Avoid using cleaning products that contain chlorine bleach, lye, hydrochloric acid, formic acid, acetic acid, or abrasive materials.
- ⚠ FAILURE TO ADHERE TO THESE INSTRUCTIONS MAY LEAD TO PRODUCT DAMAGE, MALFUNCTION, AND VOIDING OF THE WARRANTY.

## INSTALLATION CONSIDERATIONS

CRANACH recommends that this unit be installed by a licensed professional plumber.

Before starting the installation, please read these instructions carefully and make sure you have all the required tools and materials on hand.

To avoid the risk of scalding, ensure that the maximum output temperature of the shower mixing valve does not exceed 120°F (49°C).

## TECHNICAL INFORMATION

Max. Flow Rate: 7 GPM @ 80 PSI

Applicable Models: C66.AN01/C66.AN02

**Warranty Services**

Scan the QR code to quickly register and activate your product warranty or access warranty-related information.



[cranachhome.com/warranty/](http://cranachhome.com/warranty/)

**Installation Manual**



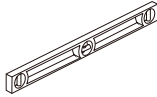


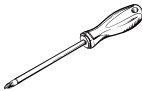
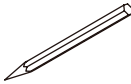

Scan the QR code to instantly access the installation manual for your product. Download it to your device for convenient future reference and to ensure a smooth setup process.



[cranachhome.com/installation/](http://cranachhome.com/installation/)

Need instant assistant? Reach out via our 24-hour customer support line at 888.263.8999 or via email at [support@cranachhome.com](mailto:support@cranachhome.com).

**RECOMMENDED TOOLS TO PREPARE**

			
Safety Glasses	Teflon Tape	Level	Hammer
			
Power Drill	Screwdriver	Pencil	Adjustable Wrench

# WARRANTY

## Parts and Finishes:

CRANACH warrants all parts (excluding electronic components and batteries) and finishes of this product, purchased from authorized CRANACH sellers, to be free from defects in material and workmanship.

- Residential Use:  
Lifetime warranty, for as long as the original consumer purchaser owns the home in which the product is installed.
- Commercial or Multi-Family Use:  
For a period of ten (10) years from the date the product is received by the original purchaser or their authorized representative.

## Electronic Components:

If applicable, electronic components (excluding batteries) of CRANACH products purchased from [cranachhome.com](http://cranachhome.com) or authorized CRANACH sellers are warranted to the original consumer purchaser to be free from defects in material and workmanship.

- Residential Use:  
For a period of five (5) years from the date the product is received.
- Commercial or Multi-Family Use:  
For a period of one (1) year from the date the product is received.

## What We Will Do:

During the applicable warranty period, if a defect is found in material or workmanship under normal installation, use, and service, CRANACH will provide replacement parts free of charge. Before returning your product to CRANACH, please visit our website or contact our customer service team (via phone or email) for troubleshooting assistance.

## Exclusions & Limitations:

This warranty does not cover:

- Damage caused by abuse, misuse, improper care, lack of maintenance, or improper installation.
- Damage from freezing water or excessive water pressure.
- Damage from abrasive cleaning products or use in violation of applicable codes or regulations.
- Labor charges incurred during installation, removal, or repair of the product.
- Incidental or consequential damages.

# PARTS IN THE BOX

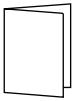
Read over these instructions thoroughly before beginning installation. Make sure that you have all tools and supplies needed to complete the installation.



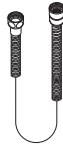
Spare Parts



Hand Shower



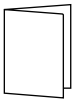
Installation Manual



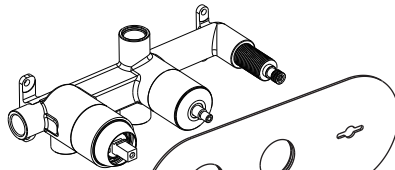
Shower Hose



Handshower Holder



Specification



Rough-in Valve



Warranty Card

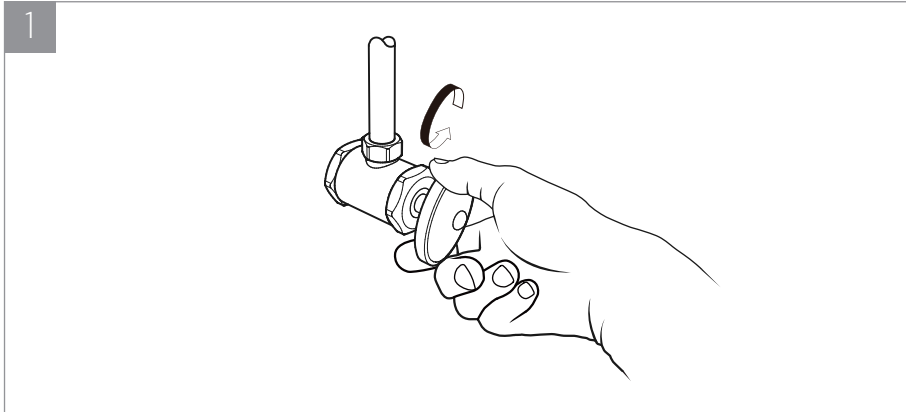


Escutcheon

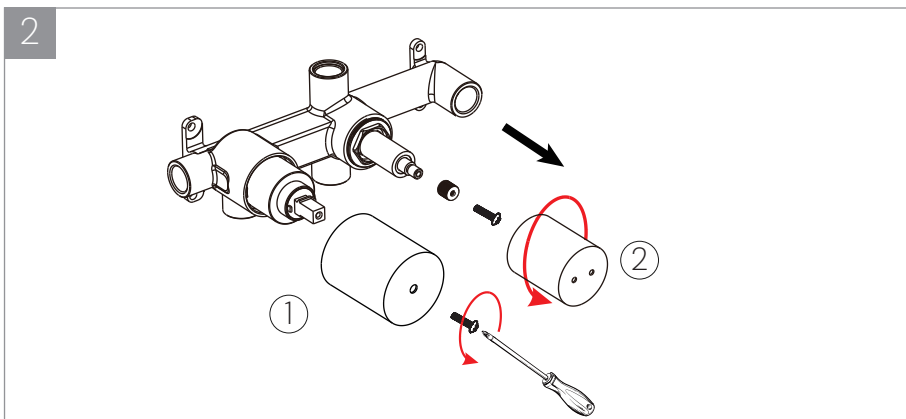
Diverter Knob

Lever Handle

# INSTALLATION



1. Turn off water supply.

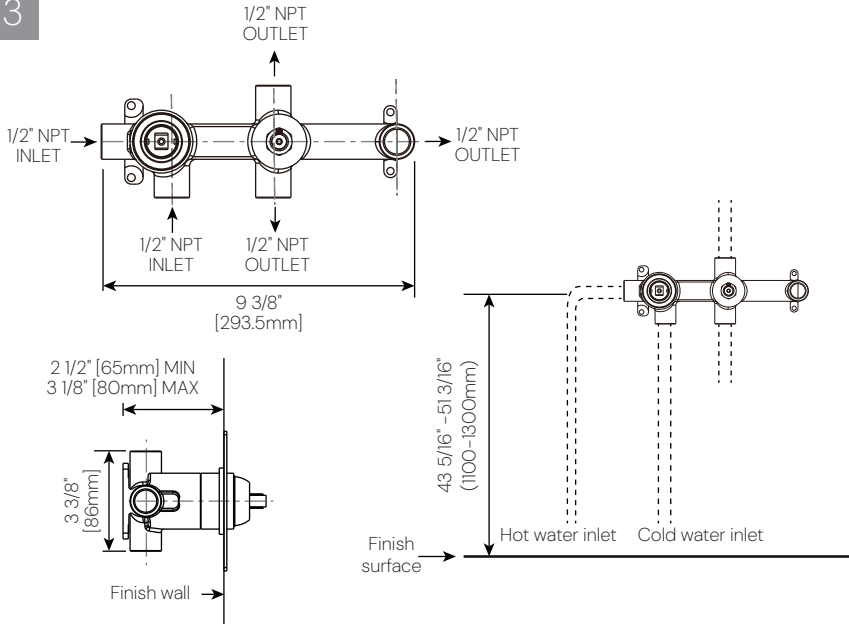


2.1 Loosen the fixing screw counterclockwise and remove Protective Cover 1.

2.2 Unscrew Protective Cover 2 counterclockwise.

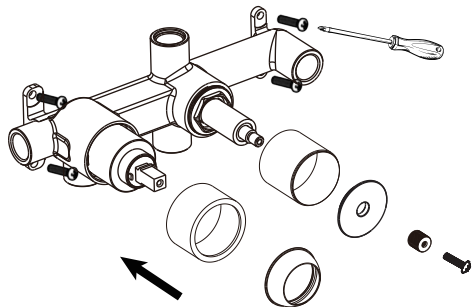
2.3 Loosen the screw on the spline adapter and remove it for later use.

3



3. Position according to the recommended dimensions.

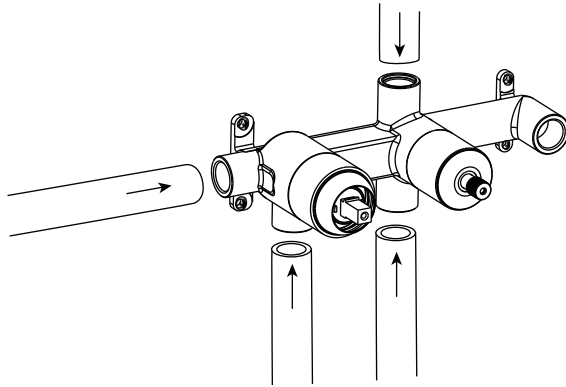
4



4.1 Secure the rough-in valve to the wooden framework with screws.

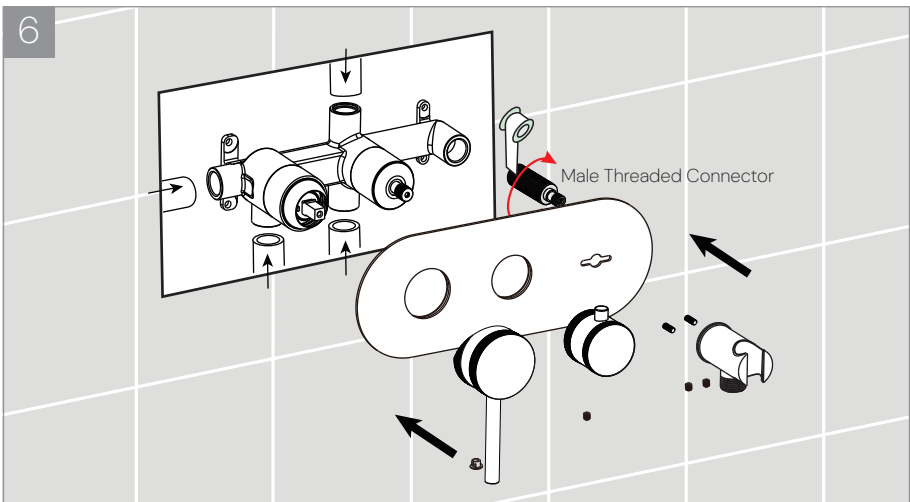
4.2 Install the brass protective cover and screw.

5



5. Connect the water pipe to the rough-in valve.

6



6.1 Wrap the rear end of the male threaded connector with waterproof tape, then connect it to the rough-in valve.

6.2 Align the escutcheon with the rough-in valve and securely install the knobs.

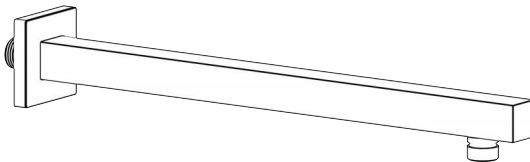
6.3 Install the positioning screw at the bottom of the shower holder (only screw it in halfway).

6.4 Mount the shower holder onto the escutcheon, and tighten the screw at the bottom of the shower holder.

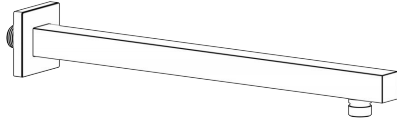
# CRANACH

## INSTALLATION MANUAL

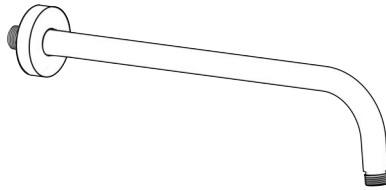
Shower Arm



C90.SA02\_C90.SA12



C90.SA02



C90.SA12

# PARTS IN THE BOX

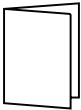
Read over these instructions thoroughly before beginning installation. Make sure that you have all tools and supplies needed to complete the installation.



Flange



Installation Manual

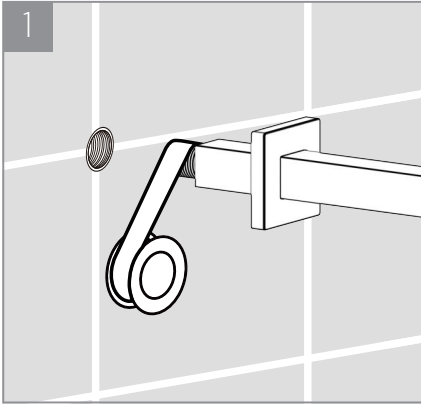


Specification

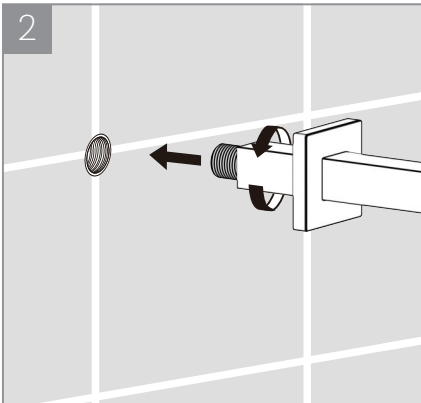


Shower Arm

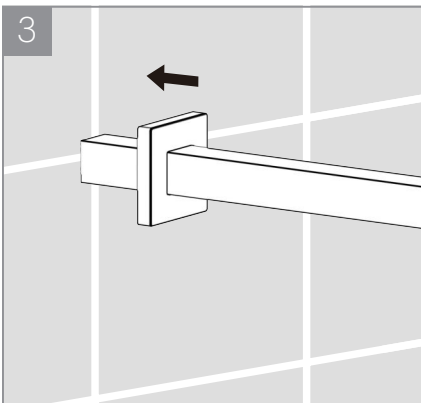
## INSTALLATION



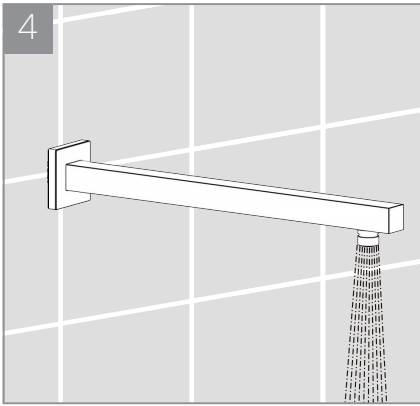
1. Wrap teflon tape around the threads of the shower arm.



2. Use a strap wrench to attach the shower arm.



3. Secure the escutcheon in place.

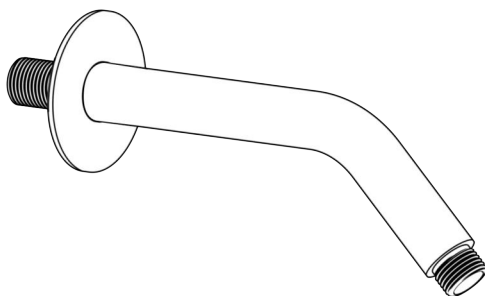


4. Turn on the water to clear out any debris.

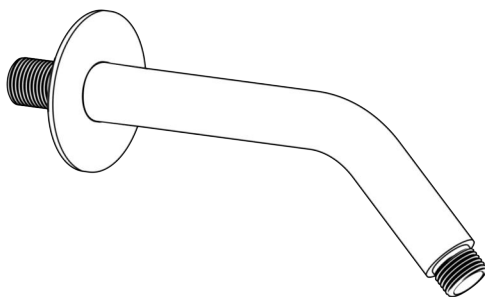
**CRANACH**<sup>®</sup>  
BATH & KITCHEN

# INSTALLATION MANUAL

Shower Arm

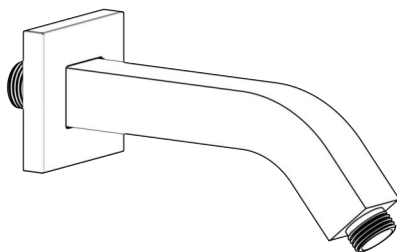


C90.SA03\_C90.SA13



C90.SA13

---



C90.SA03

# PARTS IN THE BOX

Read over these instructions thoroughly before beginning installation. Make sure that you have all tools and supplies needed to complete the installation.



Installation  
Manual



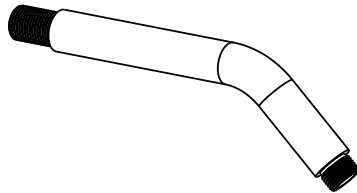
Warranty Card



Specification

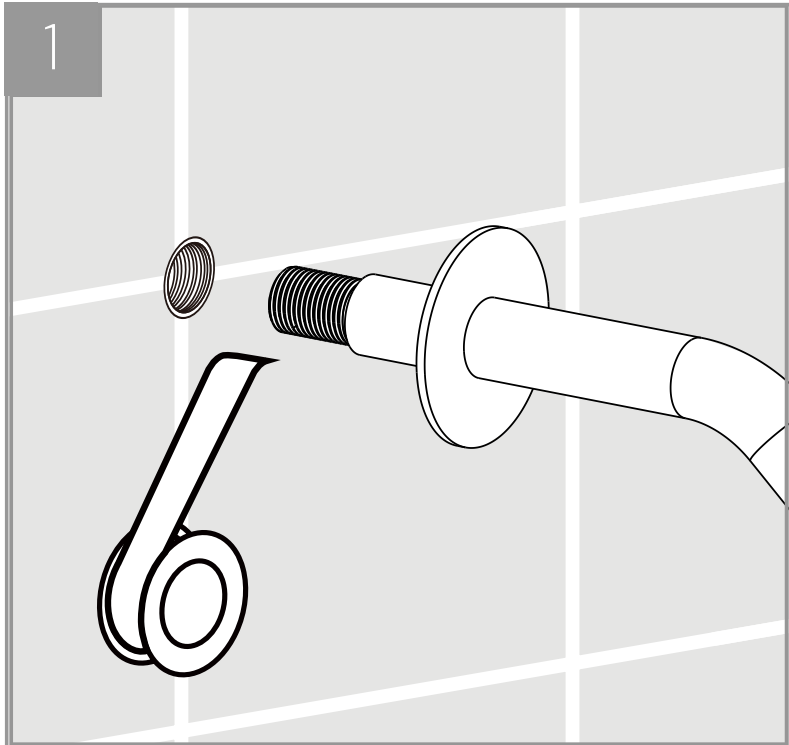


Flange

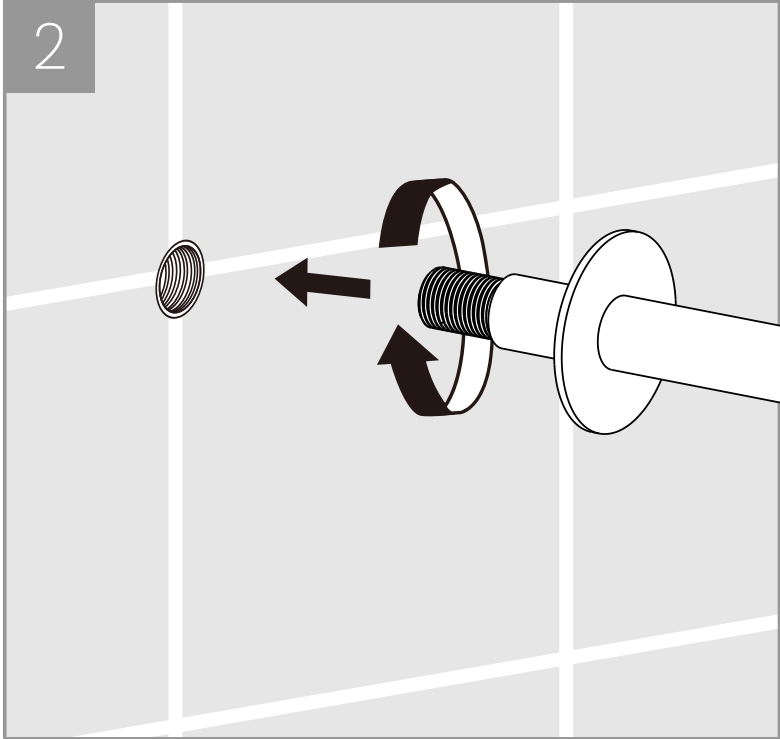


Shower Arm

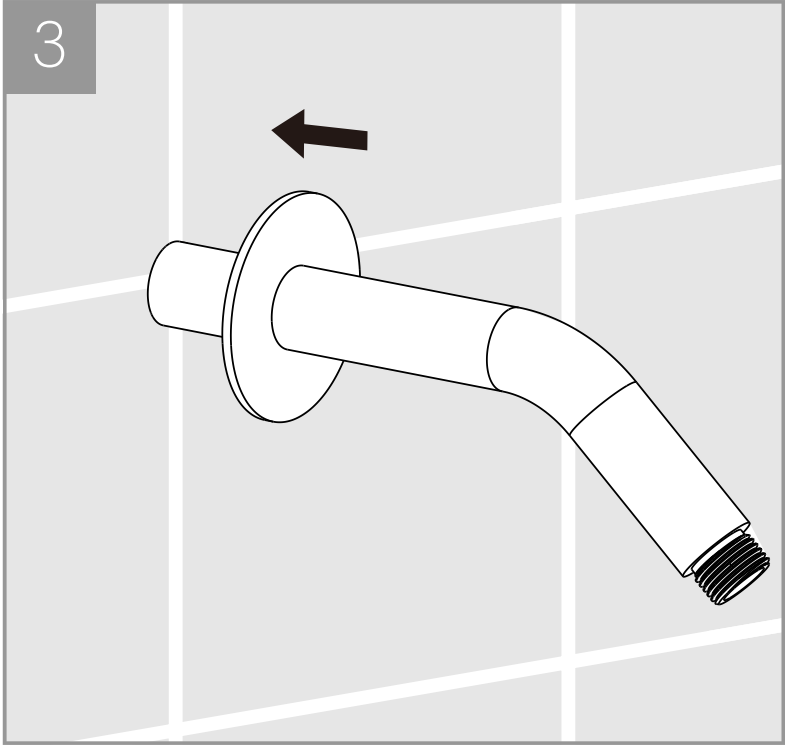
# INSTALLATION



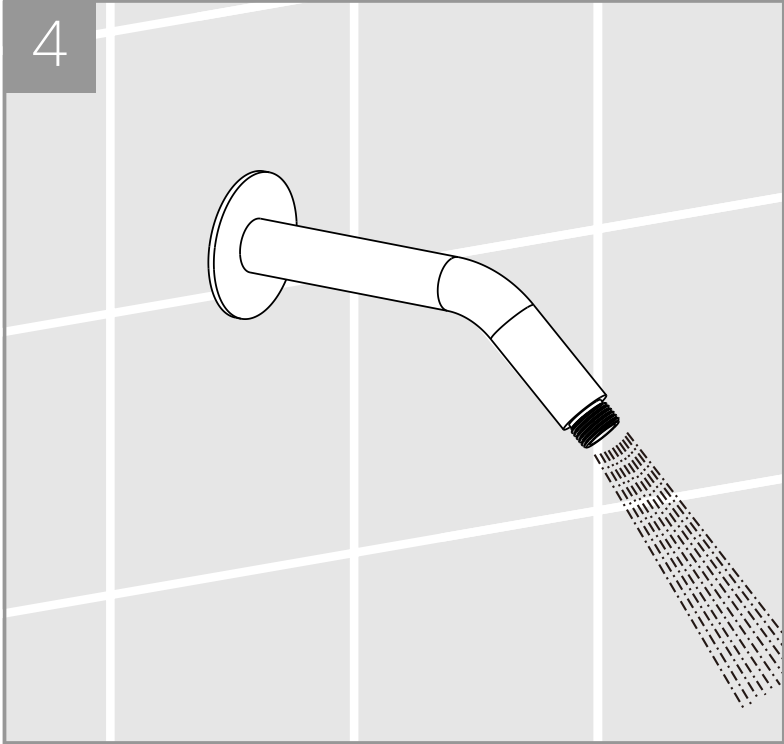
1. Wrap teflon tape around the threads of the shower arm.



2. Use a strap wrench to attach the shower arm.



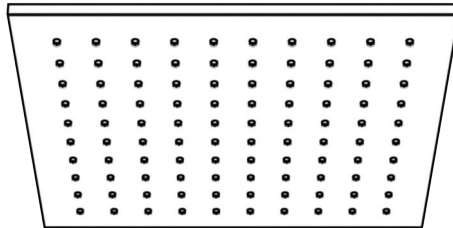
3. Secure the escutcheon in place.

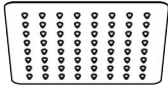


4. Turn on the water to clear out any debris.

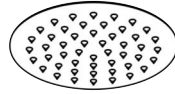
# INSTALLATION MANUAL

Rain Shower Head

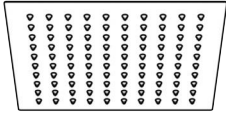




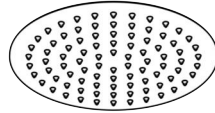
C10.CRO1



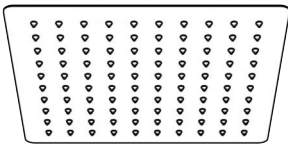
C10.CRO5



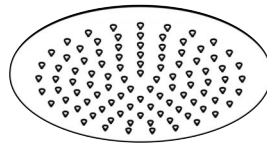
C10.CRO2



C10.CRO6



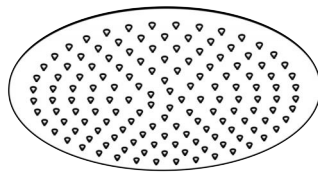
C10.CRO3



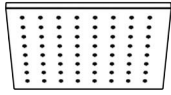
C10.CRO7



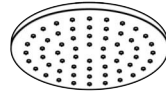
C10.CRO4



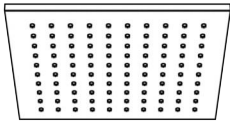
C10.CRO8



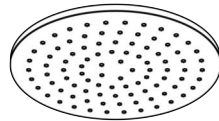
C10.FA01



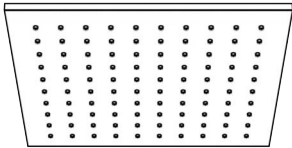
C10.FA05



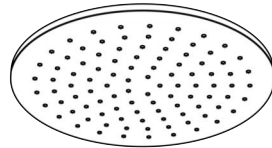
C10.FA02



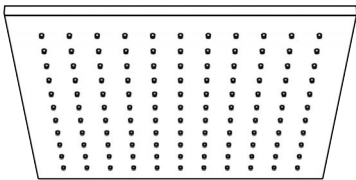
C10.FA06



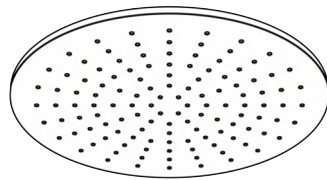
C10.FA03



C10.FA07



C10.FA04



C10.FA08

# ENGLISH

## SAFETY NOTES

- ⚠ WARNING: To prevent product failure, property damage, and personal injury, please follow these guidelines:
- ⚠ The shower is designed exclusively for bathing, personal hygiene, and body cleaning purposes.
- ⚠ The shower arm is intended solely to support the showerhead. Do not hang any additional items from the shower arm.
- ⚠ Regularly clean your CRANACH product as needed to prevent the buildup of mineral scale and/or soap residue.
- ⚠ Please refer to the Care And Cleaning when choosing a cleaning agent for this product. Avoid using cleaning products that contain chlorine bleach, lye, hydrochloric acid, formic acid, acetic acid, or abrasive materials.
- ⚠ FAILURE TO ADHERE TO THESE INSTRUCTIONS MAY LEAD TO PRODUCT DAMAGE, MALFUNCTION, AND VOIDING OF THE WARRANTY.

## INSTALLATION CONSIDERATIONS

CRANACH recommends that this unit be installed by a licensed professional plumber.

Before starting the installation, please read these instructions carefully and make sure you have all the required tools and materials on hand.

To avoid the risk of scalding, ensure that the maximum output temperature of the shower mixing valve does not exceed 120°F (49°C).

## TECHNICAL INFORMATION

Max. Flow Rate: 1.8 / 2.5 GPM @ 80 PSI

Applicable Models: C10.CRO1/C10.CRO2  
C10.CRO3/C10.CRO4  
C10.CRO5/C10.CRO6  
C10.CRO7/C10.CRO8  
C10.FA01/C10.FA02  
C10.FA03/C10.FA04  
C10.FA05/C10.FA06  
C10.FA07/C10.FA08

# PARTS IN THE BOX

Read over these instructions thoroughly before beginning installation. Make sure that you have all tools and supplies needed to complete the installation.



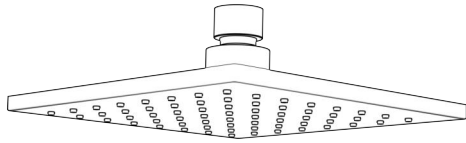
Installation Manual



Specification

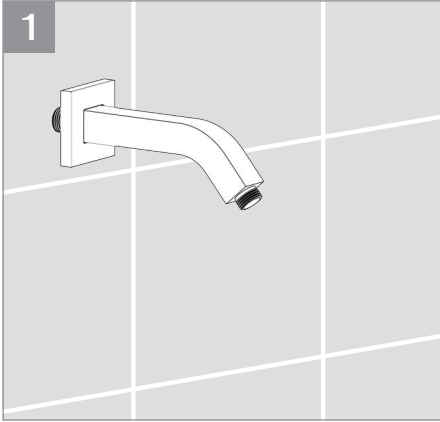


Warranty Card

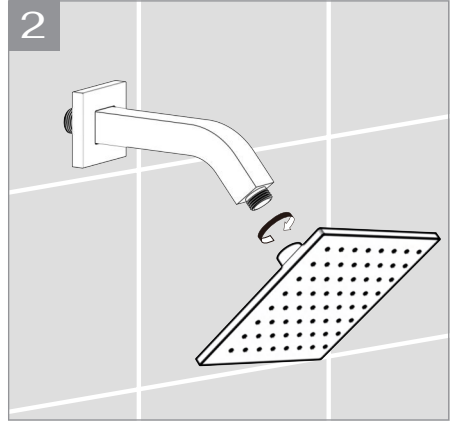


Shower Head

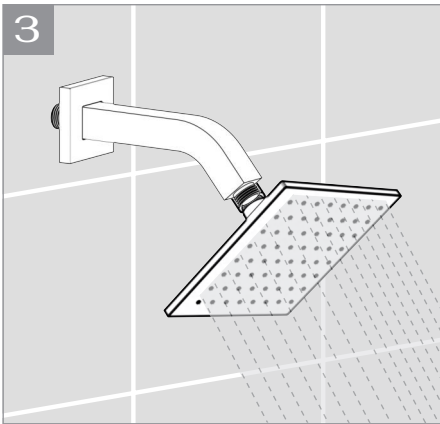
# INSTALLATION



1. Remove the existing showerhead, if applicable.



2. Screw the showerhead onto the shower arm. Do not overtighten shower head.



3. Turn on the water supply and inspect for any leaks.

**CRANACH**<sup>®</sup>  
BATH & KITCHEN

# INSTALLATION MANUAL

Hand Shower



C90.HS01\_C90.HS03  
C90.HS11\_C90.HS12\_C90.HS21\_C90.HS23



C90.HS01



C90.HS02



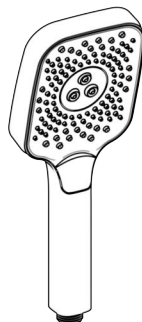
C90.HS03



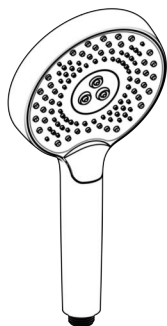
C90.HS11



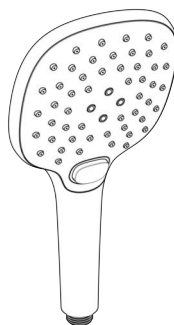
C90.HS12



C90.HS21



C90.HS22



C90.HS23

# PARTS IN THE BOX

Read over these instructions thoroughly before beginning installation. Make sure that you have all tools and supplies needed to complete the installation.



Installation  
Manual



Warranty Card

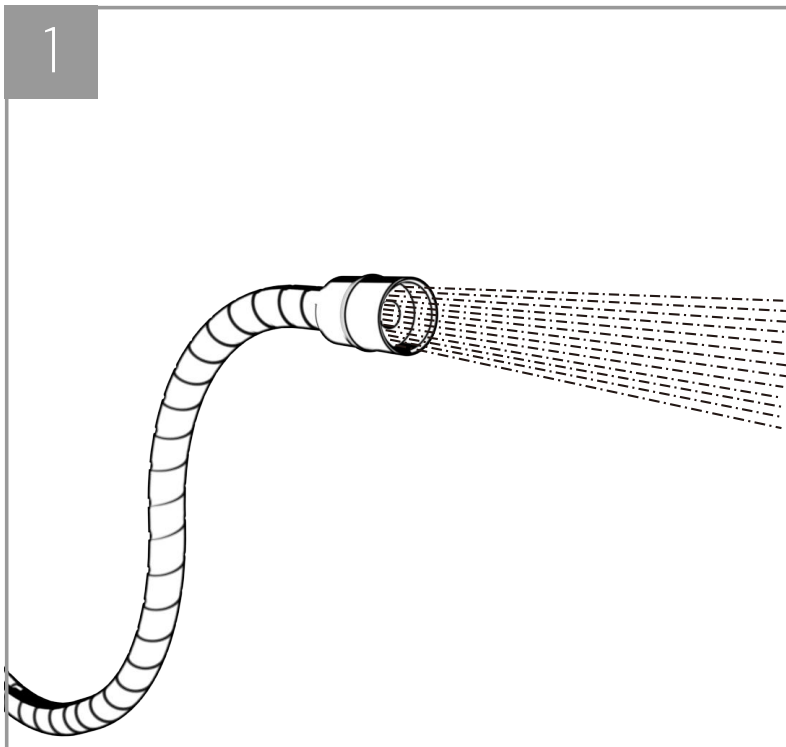


Specification



Hand Shower

# INSTALLATION



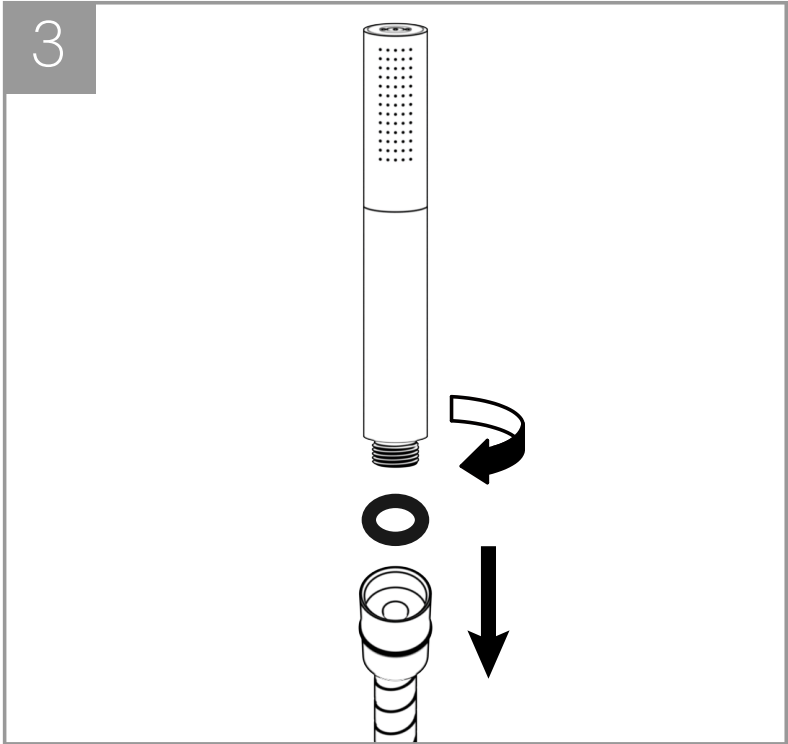
1.1 Flush the hose before installation.

2



2.1 Clean and reuse the seal if applicable.

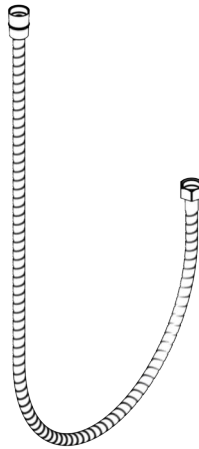
3

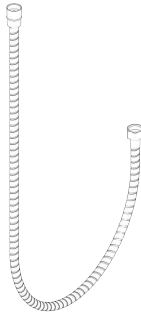


3.1 Tighten the hand shower onto the hose.

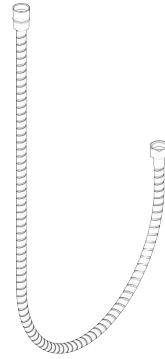
# INSTALLATION MANUAL

Shower Hose

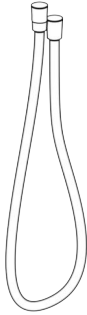




C90.SH01



C90.SH02



C90.SH11



C90.SH12

# PARTS IN THE BOX

Read over these instructions thoroughly before beginning installation. Make sure that you have all tools and supplies needed to complete the installation.



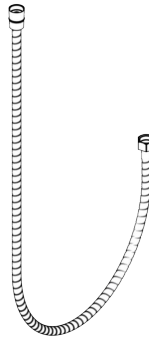
Installation Manual



Specification

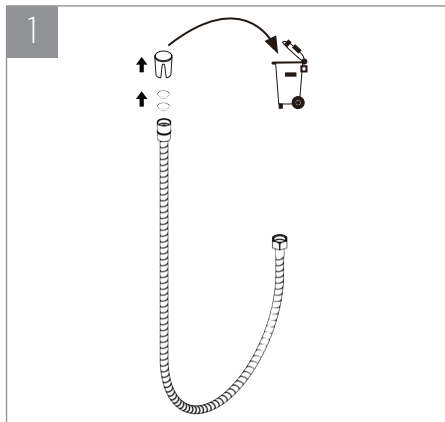


Warranty Card

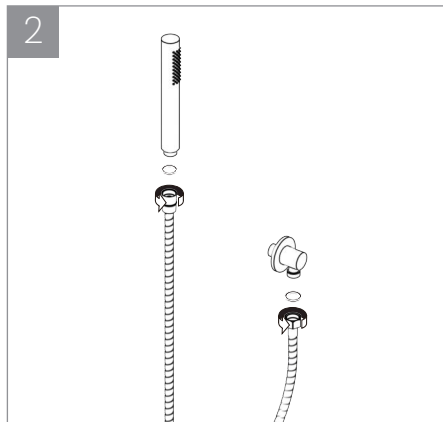


Hose

# INSTALLATION



1. Remove the plastic protective caps from both ends of the hose and dispose of them properly.



2. Securely connect the new hose, ensuring the O-rings are correctly positioned, and attach it to the hand shower or fixture tightly.