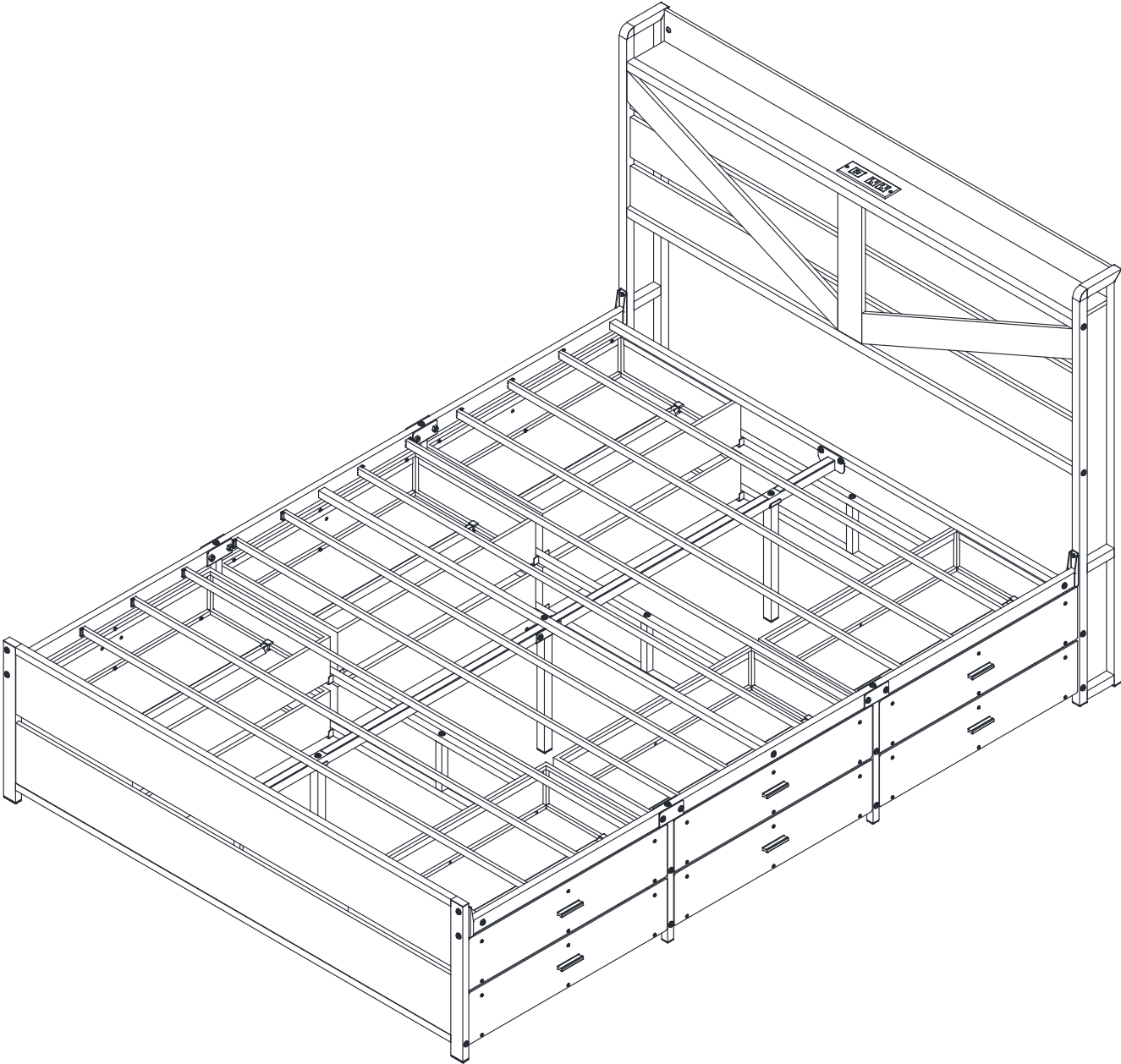
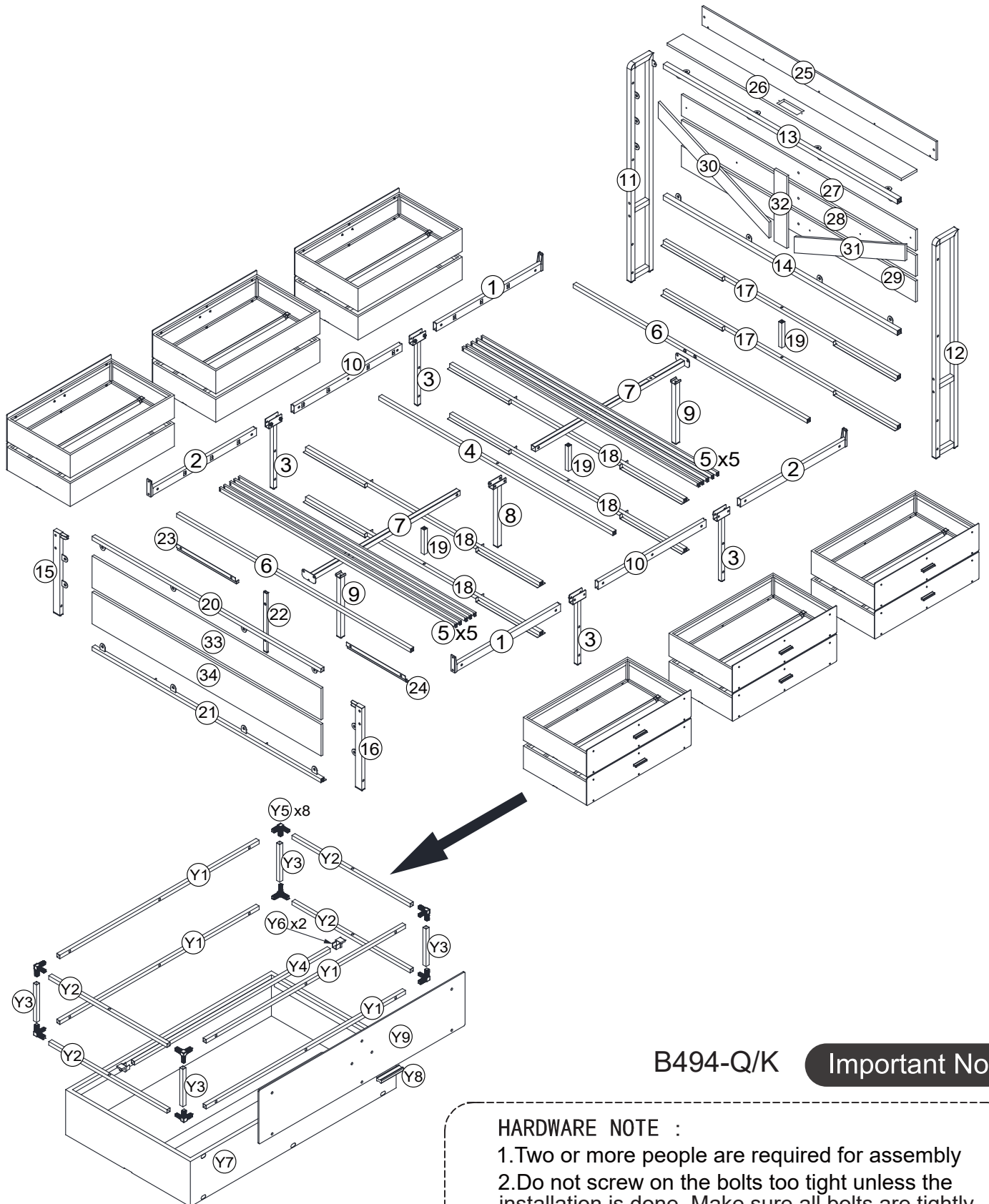


BED FRAME



Thank you for choosing our products, please assemble and use it following the instructions.

Assembly Instruction



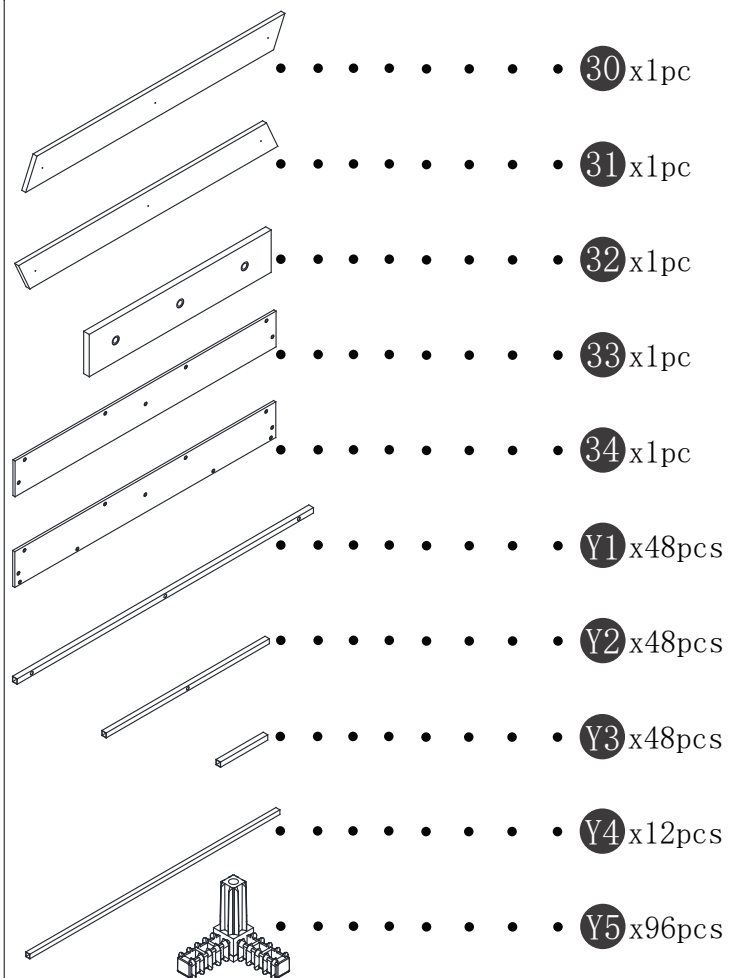
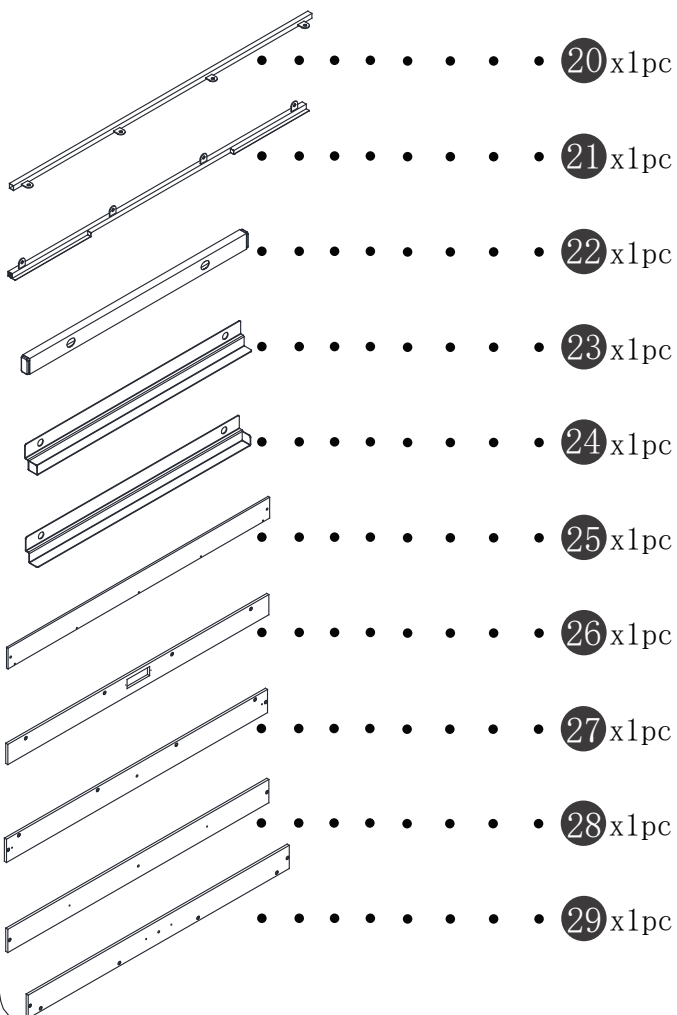
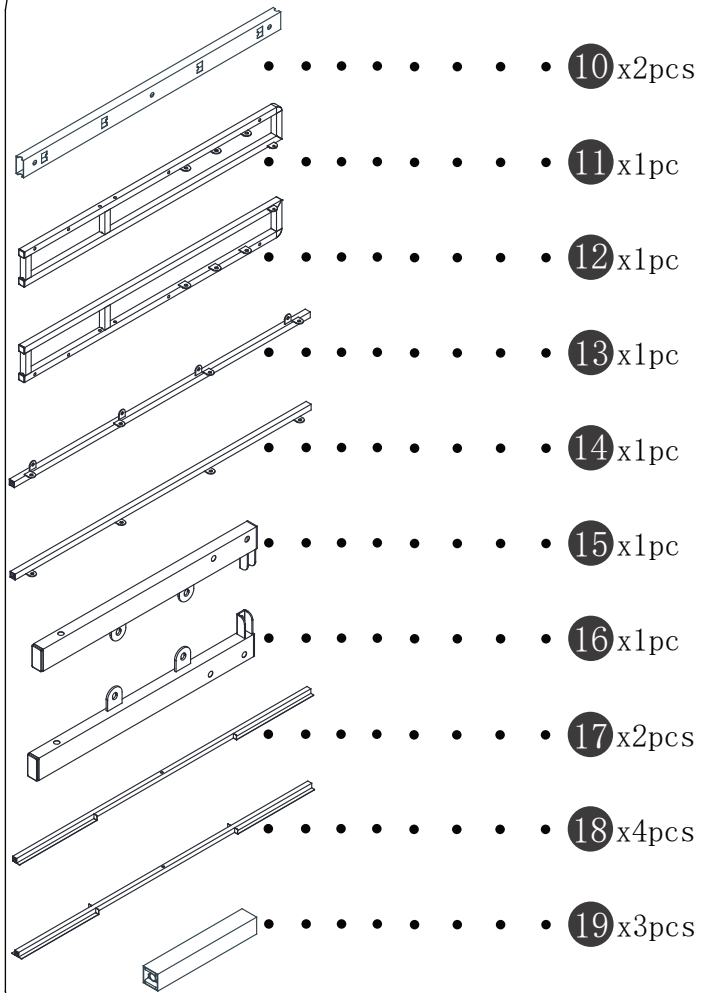
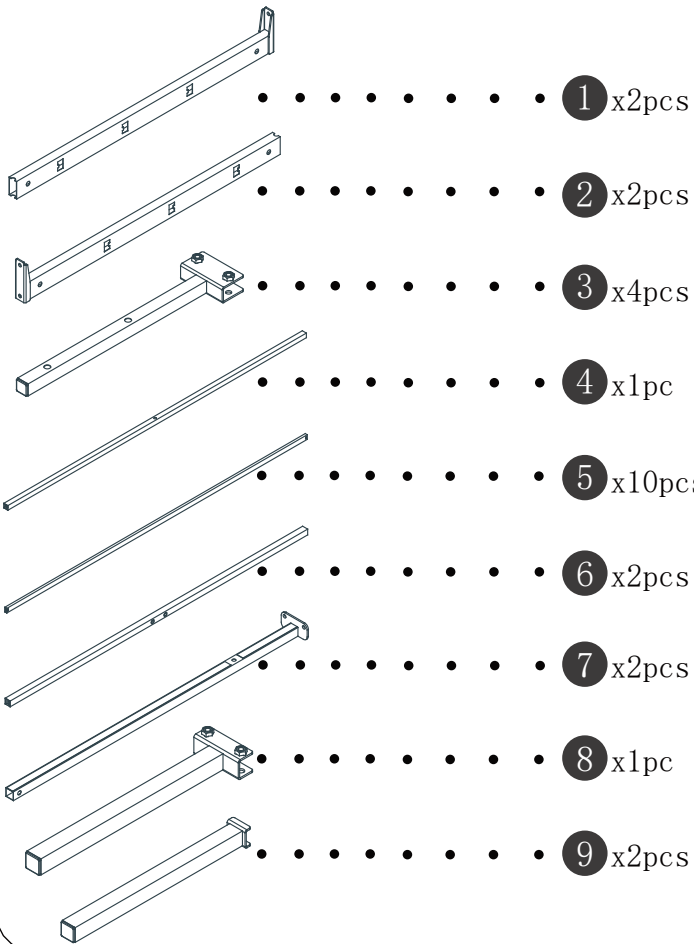
B494-Q/K

Important Note

HARDWARE NOTE :

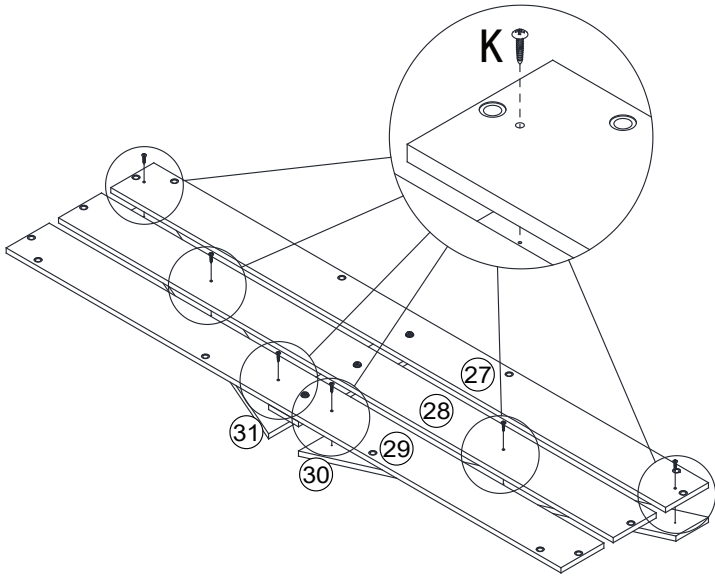
1. Two or more people are required for assembly
2. Do not screw on the bolts too tight unless the installation is done. Make sure all bolts are tightly screwed before you use it.

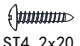
Components



2

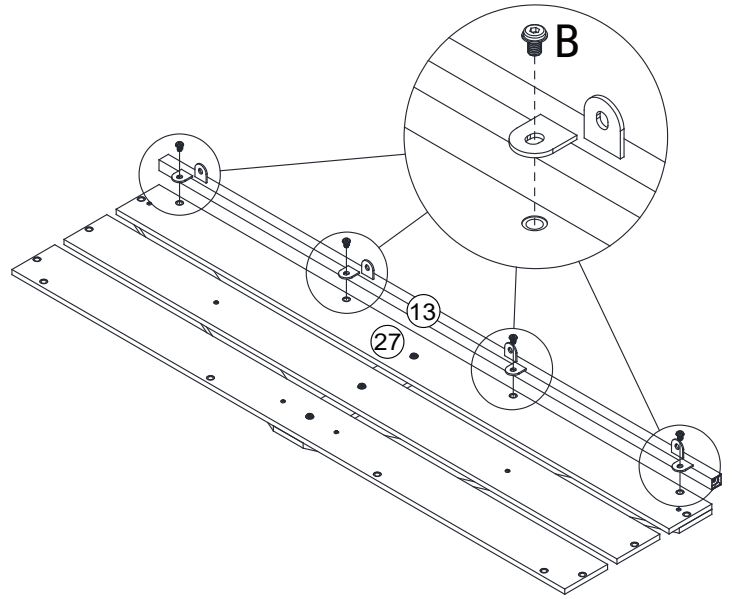
⚠ Do not fully tighten the screws yet.




K		6pcs
	ST4. 2x20	

3

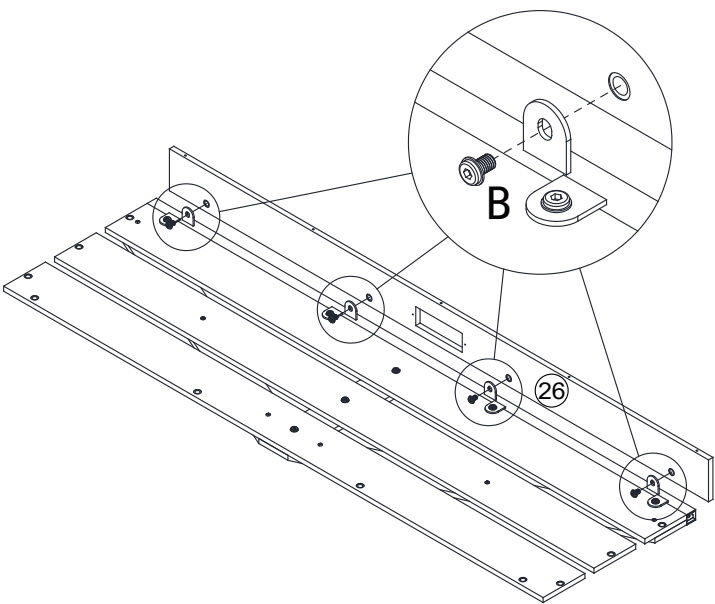
⚠ Do not fully tighten the screws yet.



B		4pcs
	M8x12	

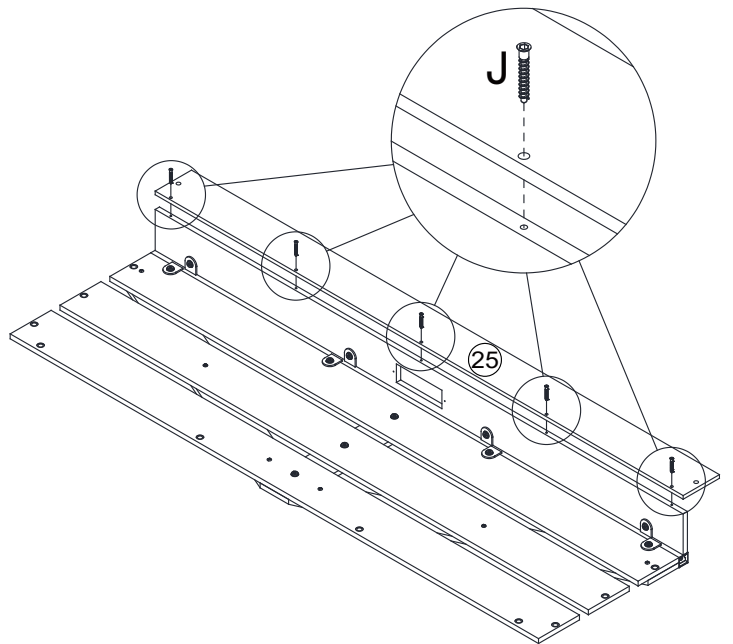
4


⚠ Do not fully tighten the screws yet.



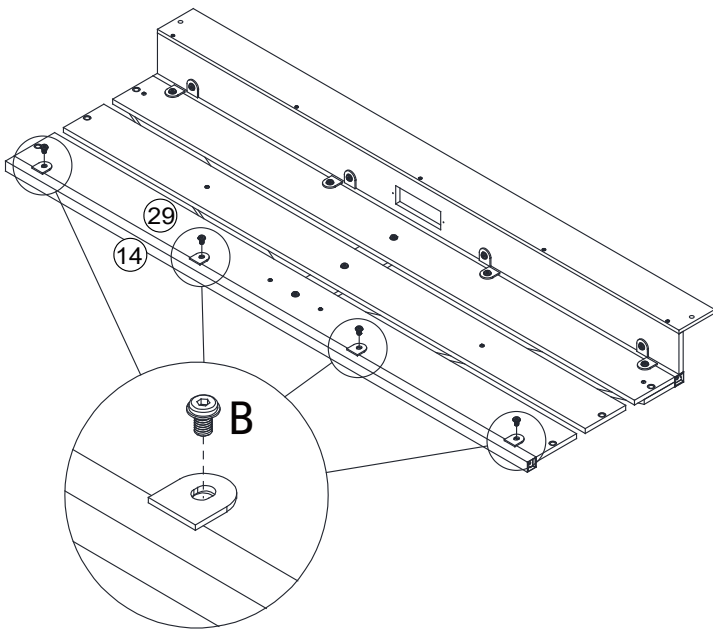
B		4pcs
	M8x12	

5



J		5pcs
	M5x35	

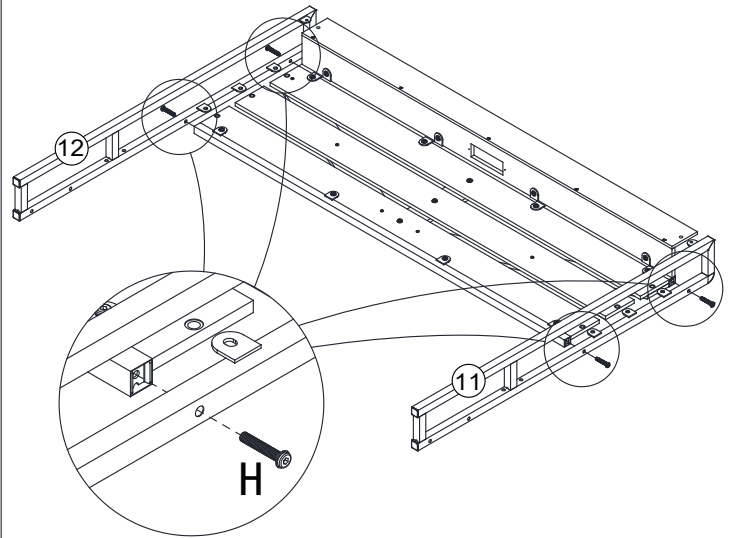
6




! Do not fully tighten the screws yet.

B		4pcs
	M8x12	

7



! Do not fully tighten the screws yet.

H		4pcs
	M8x45	

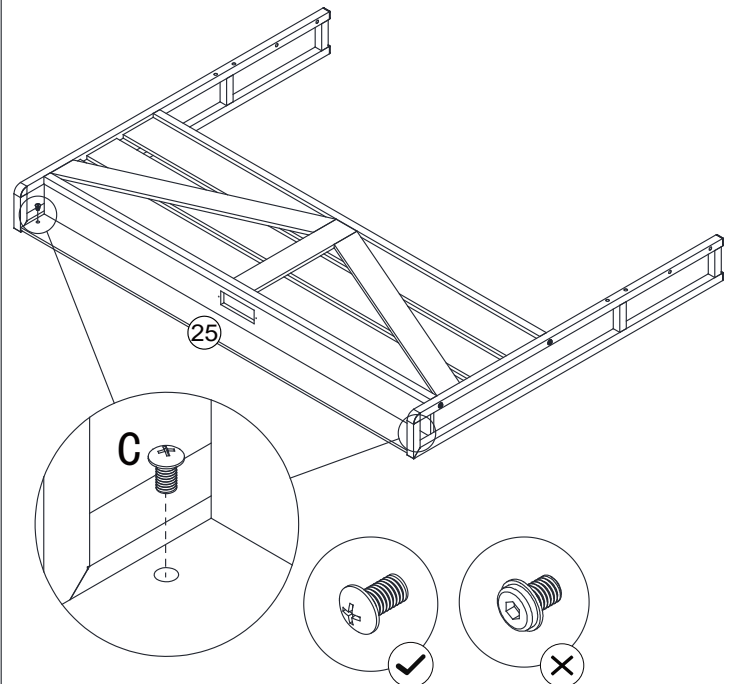
8

! Do not fully tighten the screws yet.




B		6pcs
	M8x12	

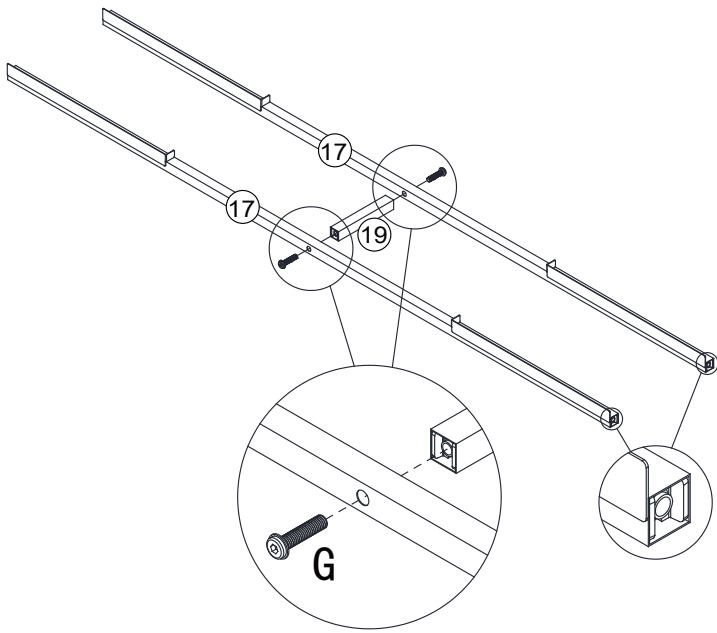
9




! Fully tighten all the screws.

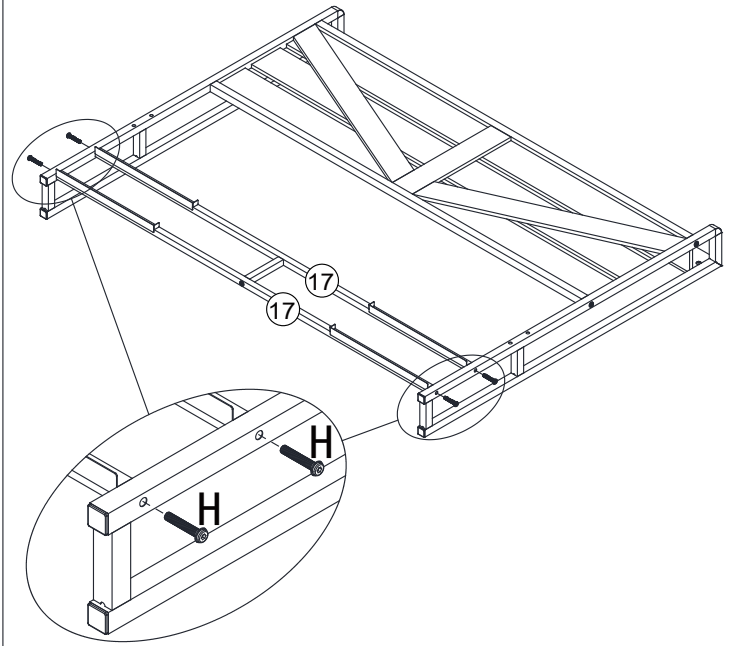
C		2pcs
	M8x14	

10



G		2pcs
	M8x35	

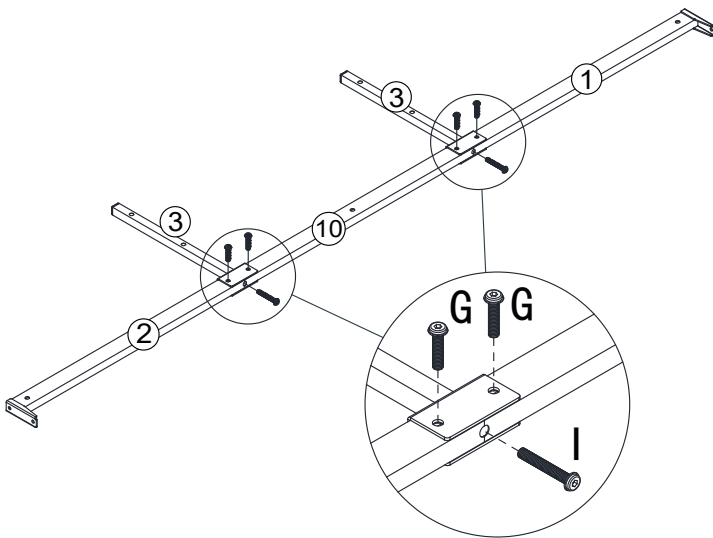
11


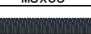


H		4pcs
	M8x45	

12

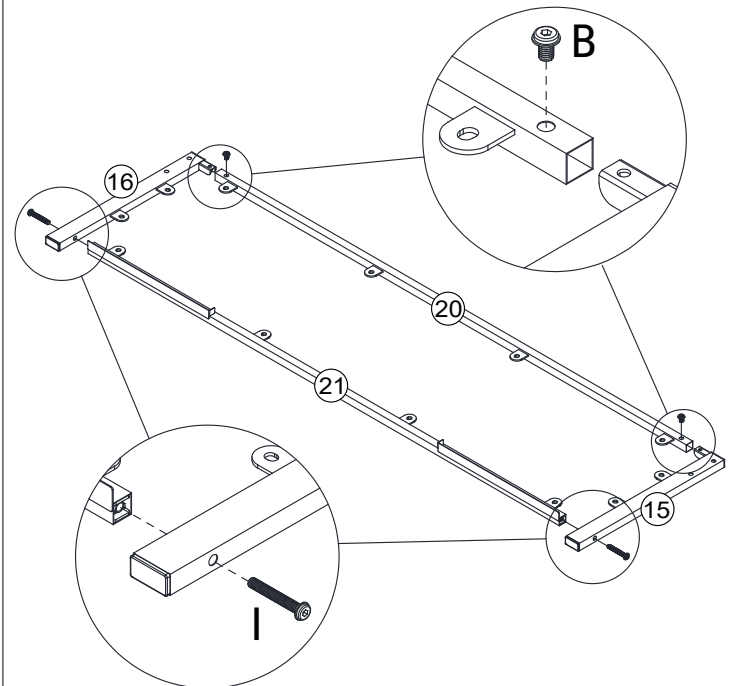
x2





G		8pcs
	M8x35	
I		4pcs
	M8x55	

13

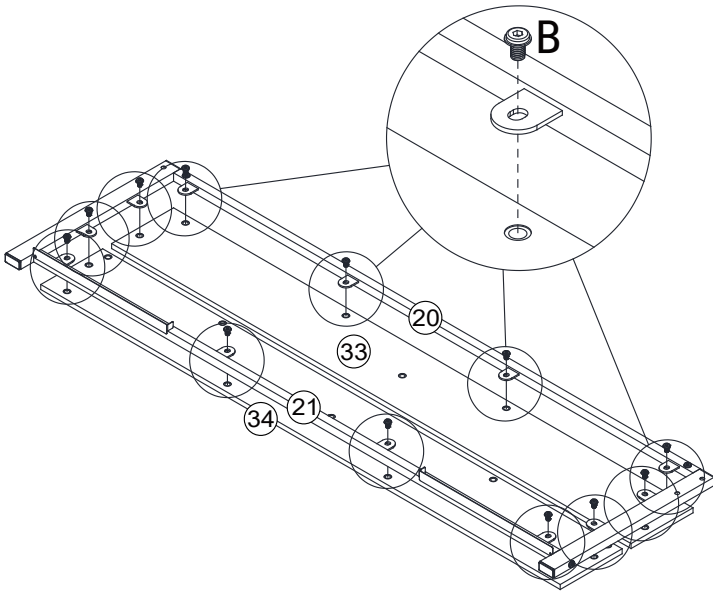
⚠ Do not fully tighten the screws yet.



B		2pcs
	M8x12	
I		2pcs
	M8x55	

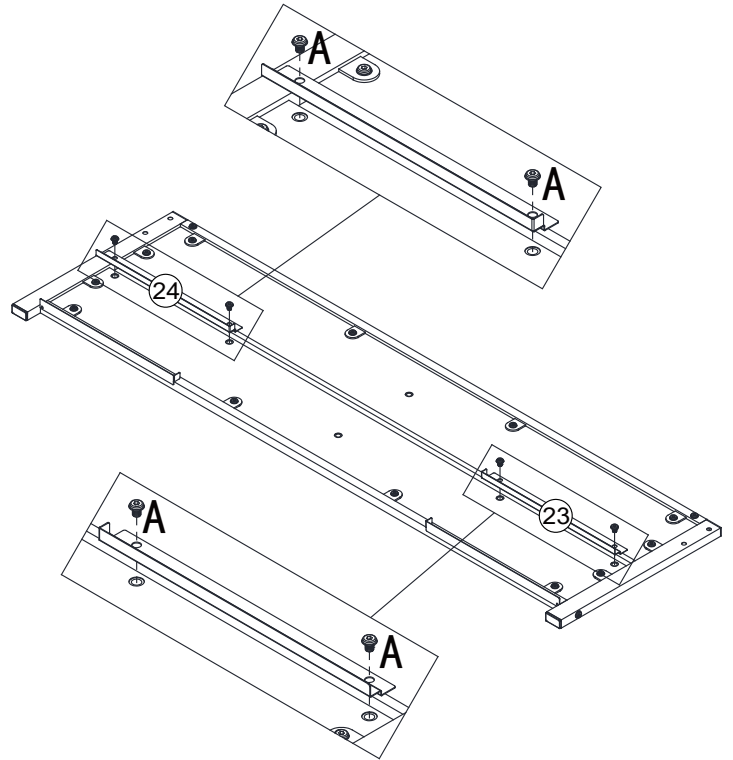
14

! Fully tighten all the screws.



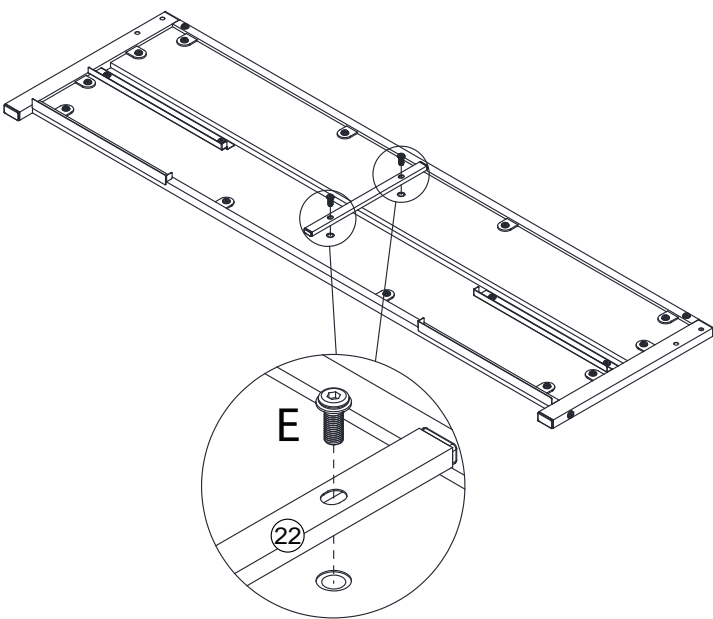
B		12pcs
M8x12		


15



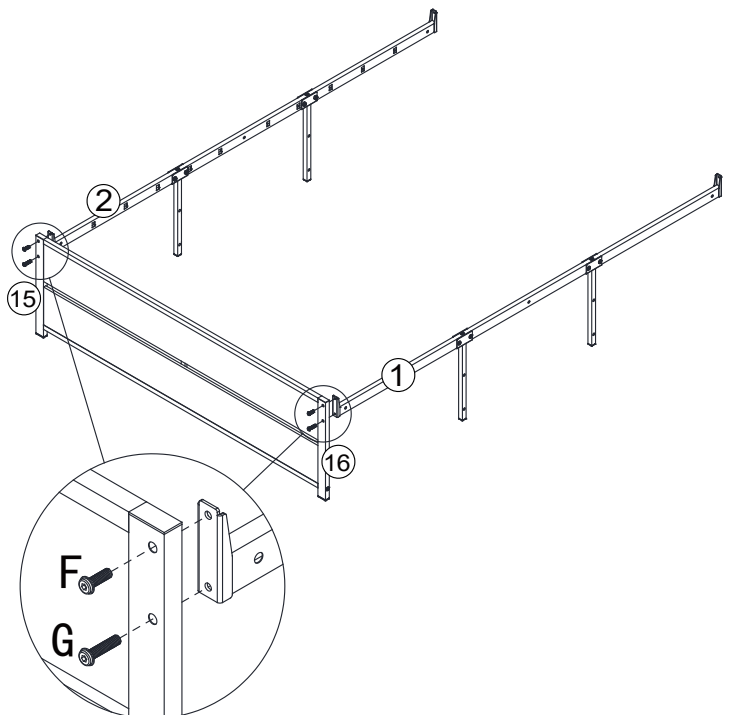
A		4pcs	white zinc
M8x10			



16



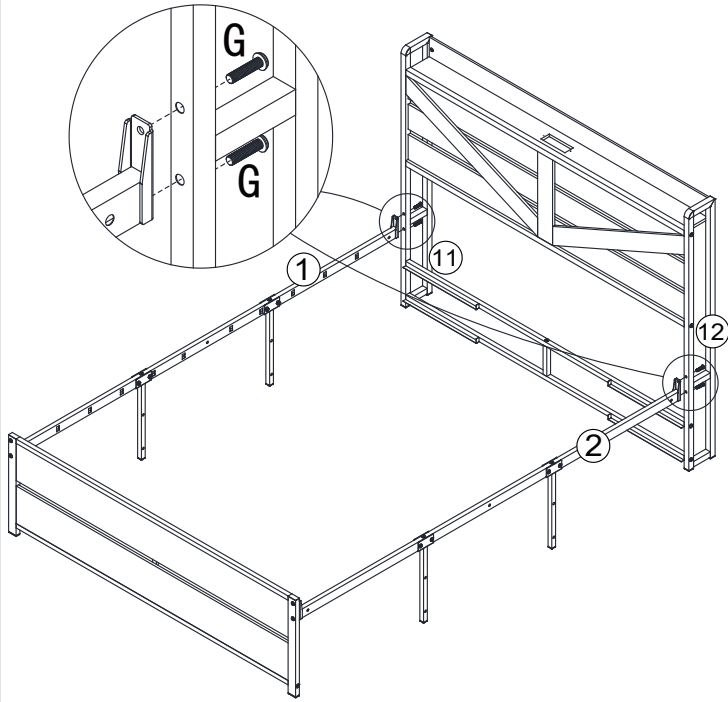
E		2pcs	Colored zinc
M8x20			


17



F		2pcs
M8x25		
G		2pcs
M8x35		

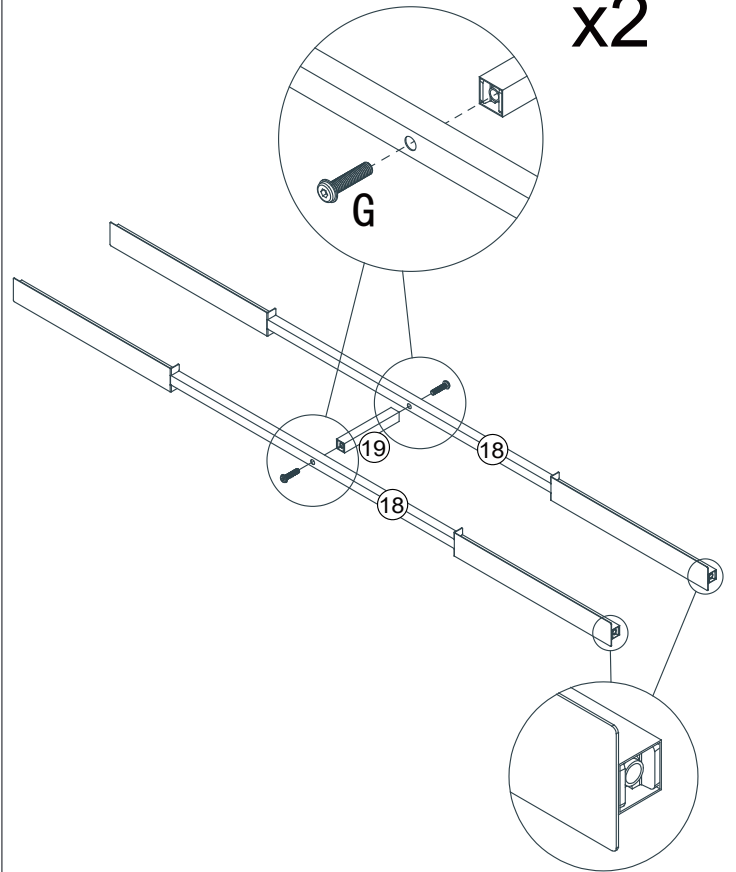
18



G		4pcs
M8x35		

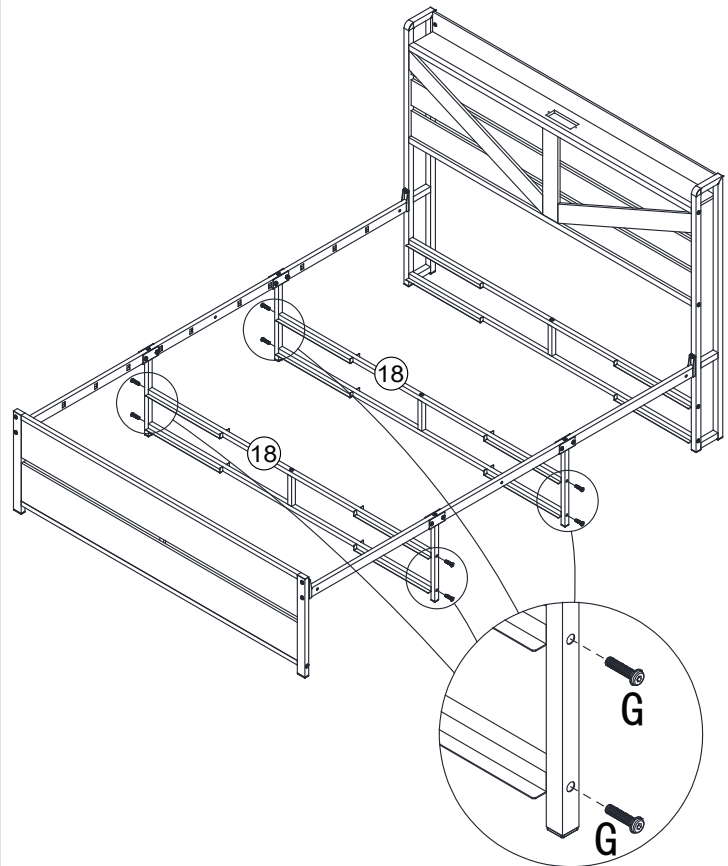
19


x2



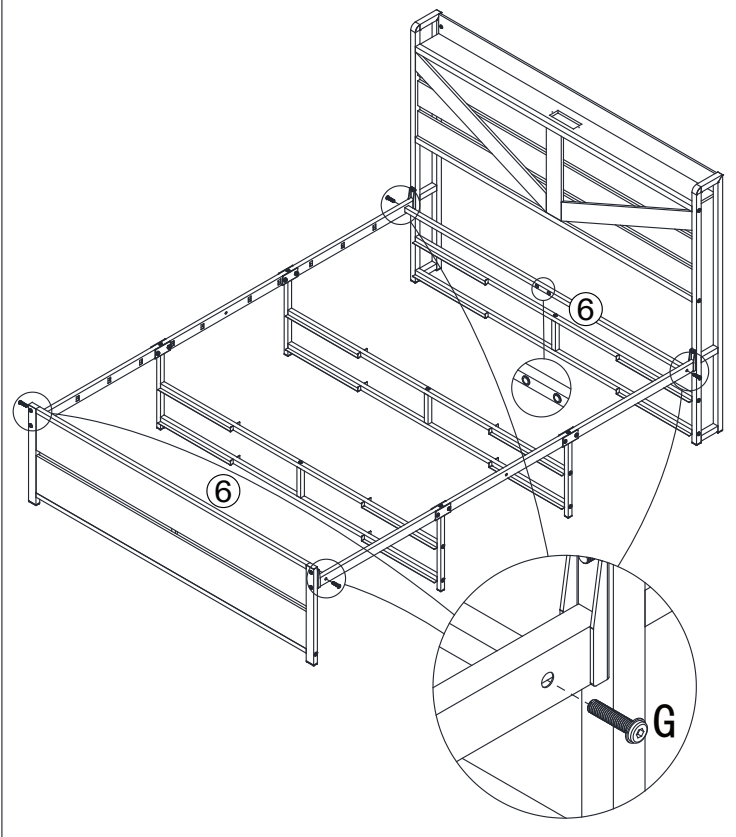
G		4pcs
M8x35		

20



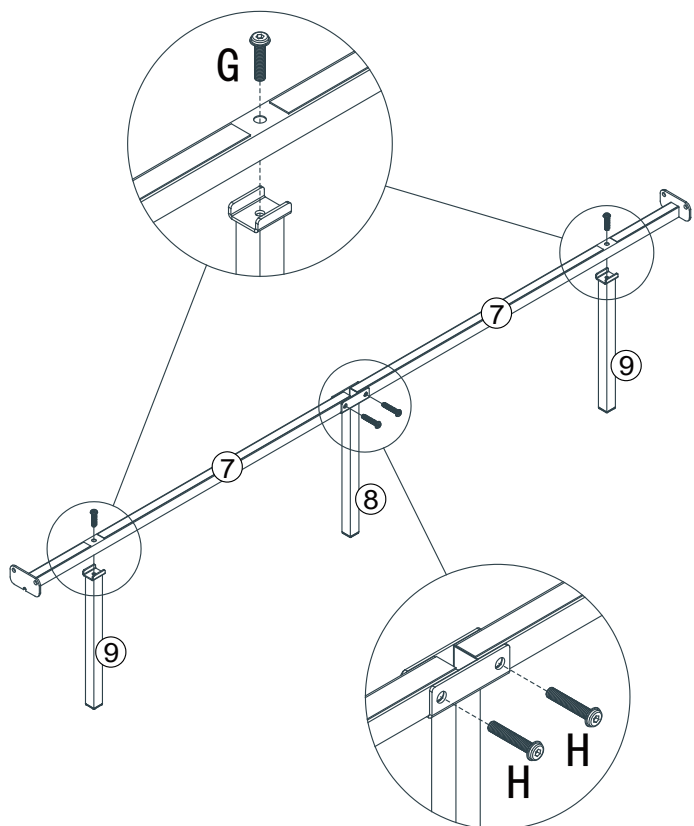
G		8pcs
M8x35		

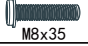
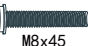
21




G		4pcs
M8x35		

22

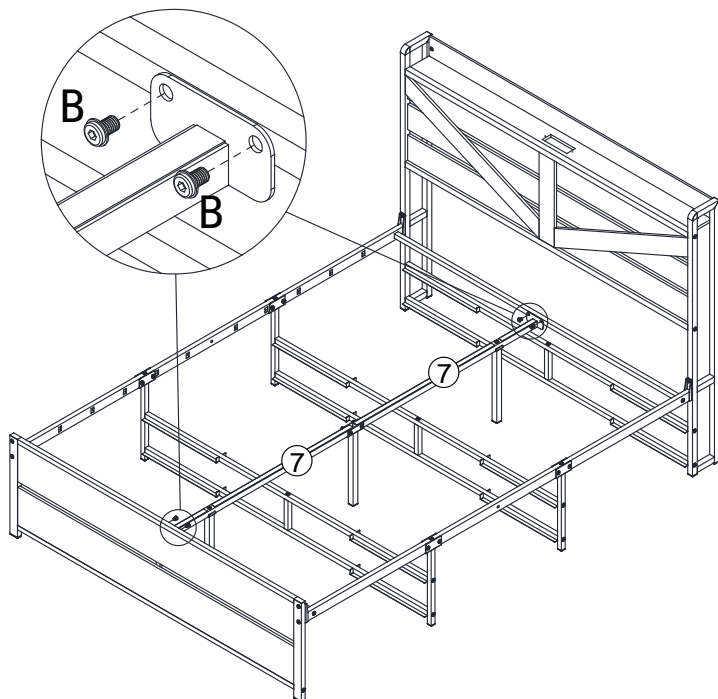



G		2pcs
H		2pcs

 Do not fully tighten the screws yet.

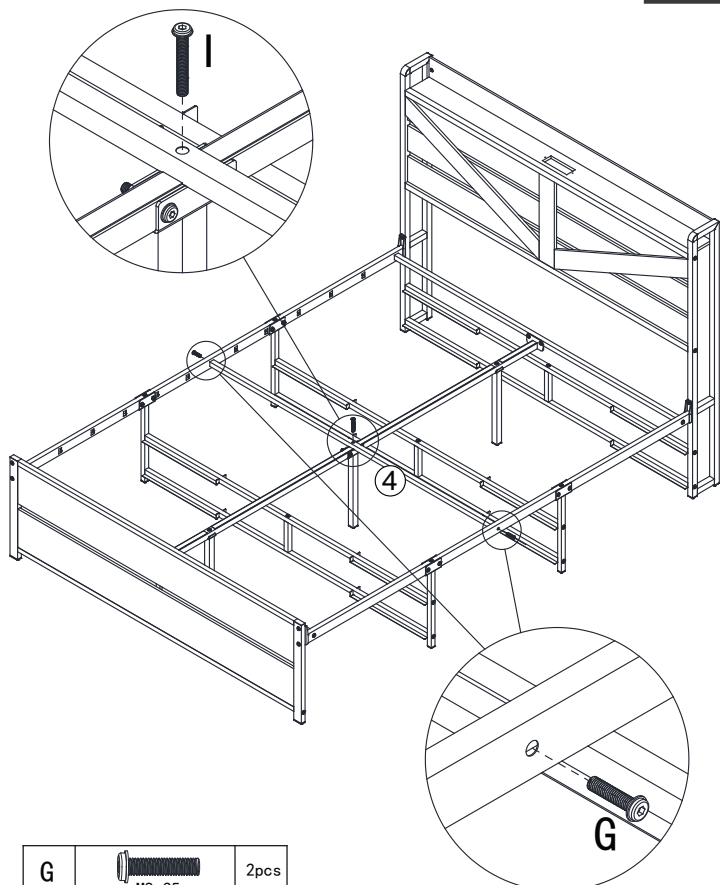
23



 Fully tighten all the screws.



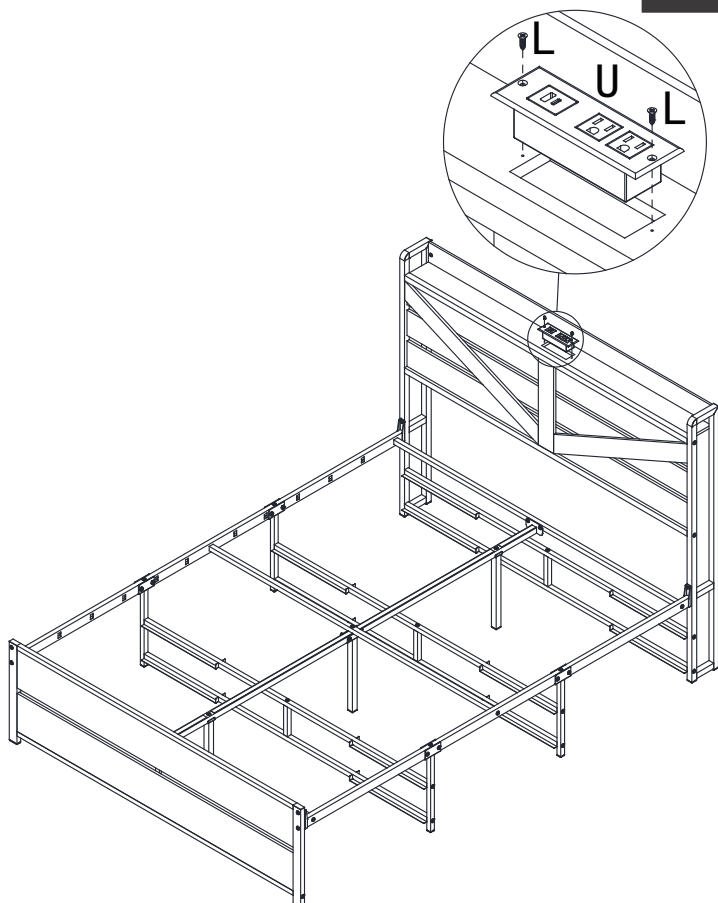
B		4pcs
---	---	------

24



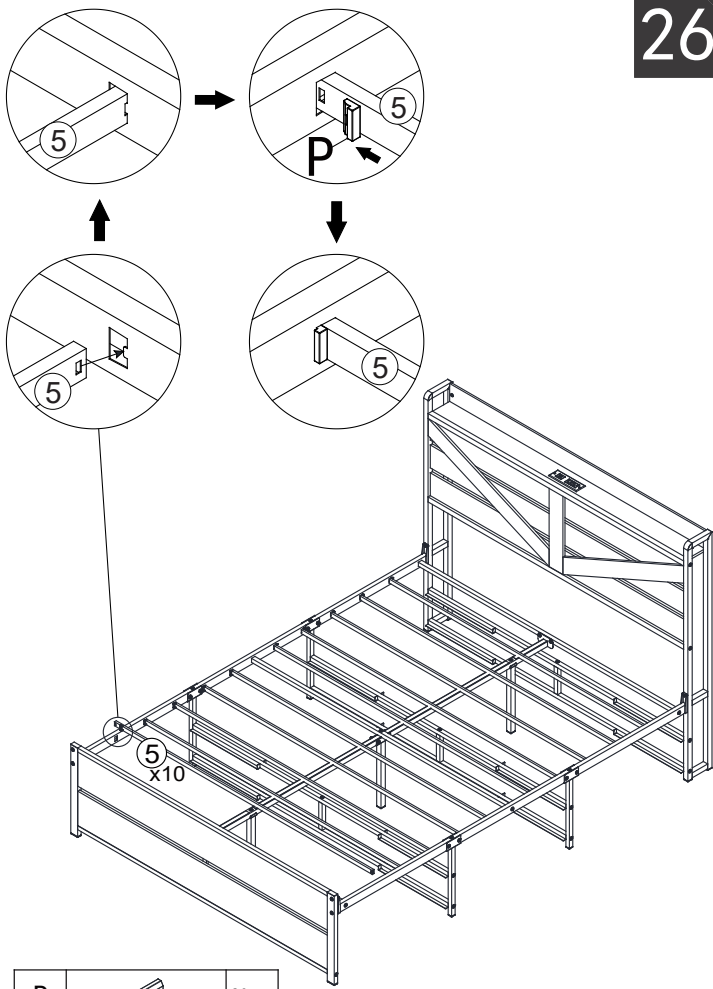
G		2pcs
I		1pc

25

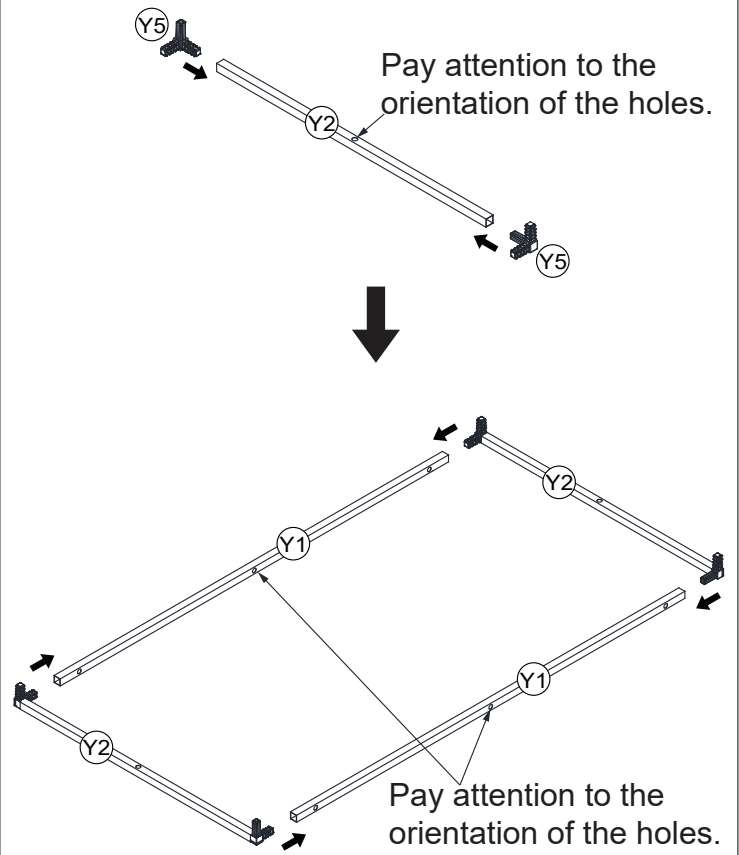


L		2pcs
---	---	------

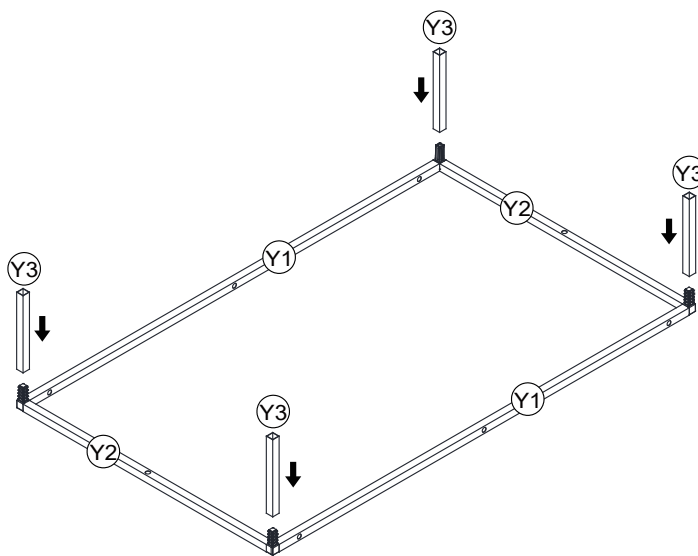
26



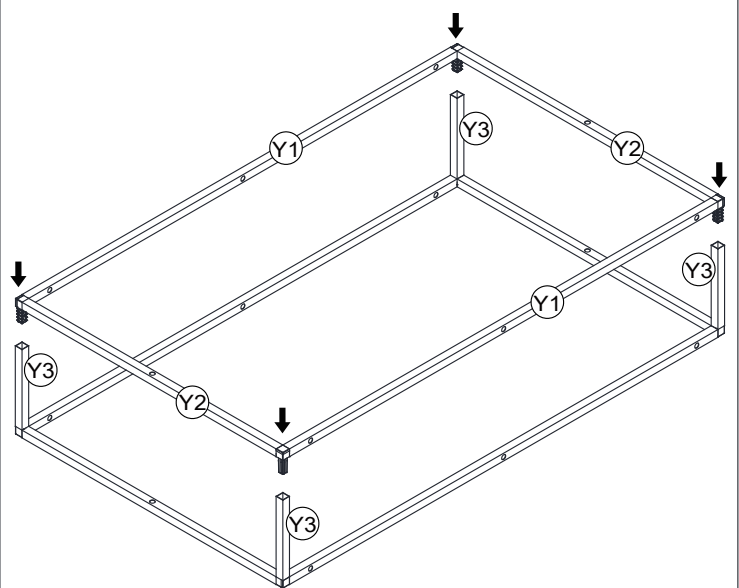
x24 27

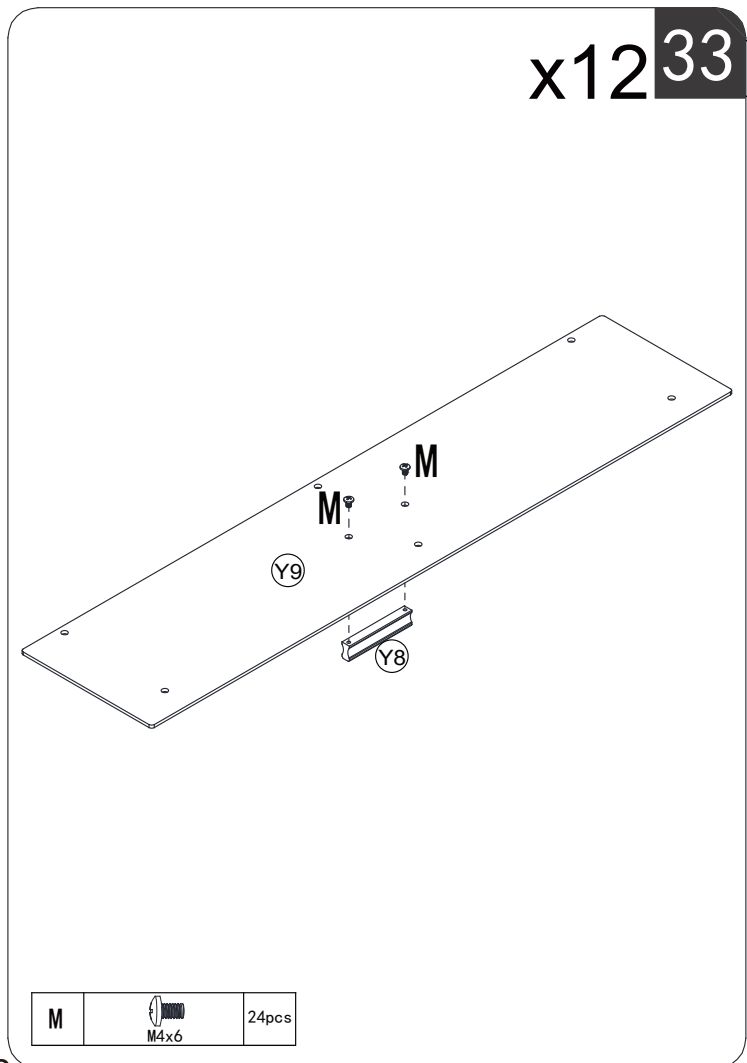
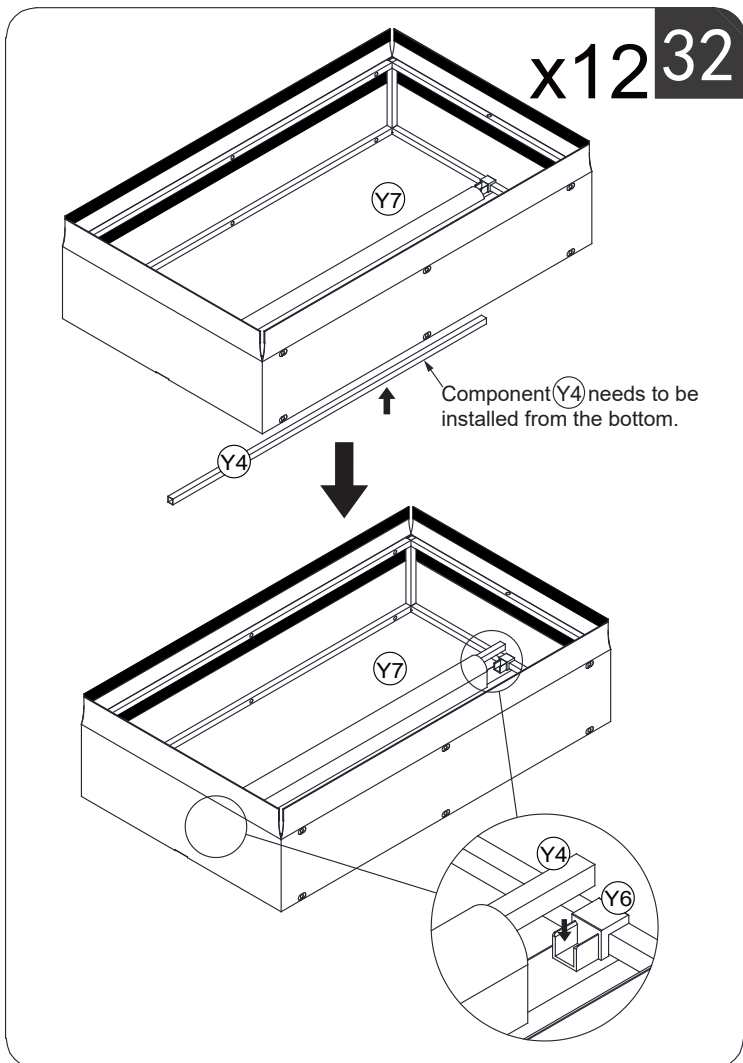
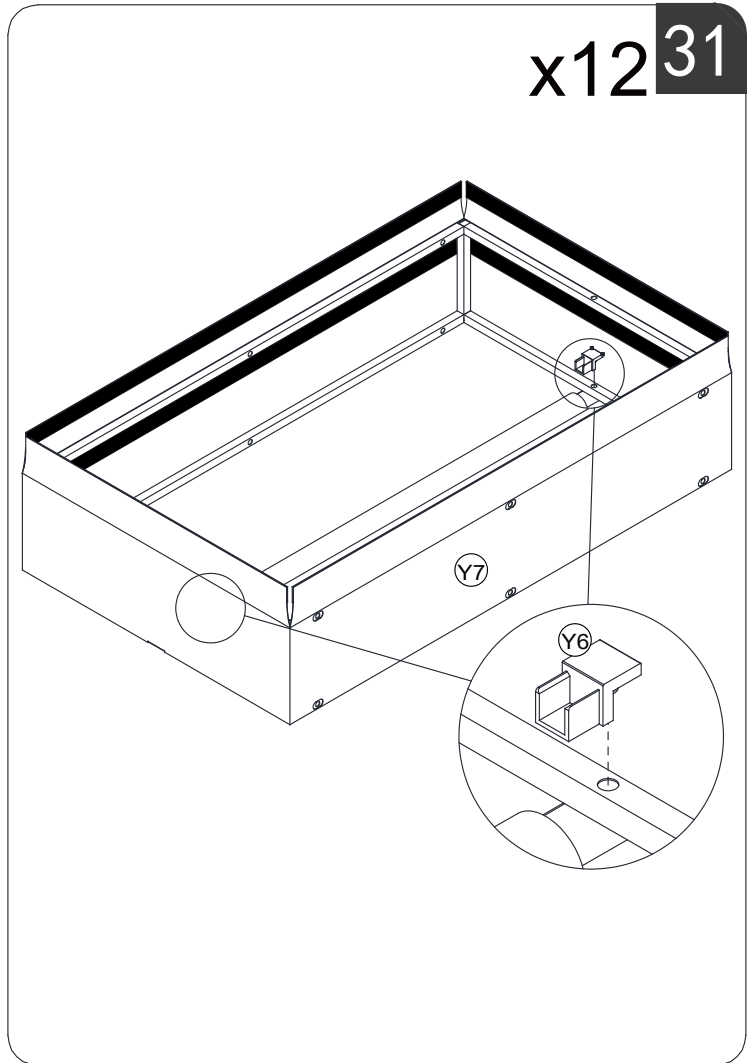
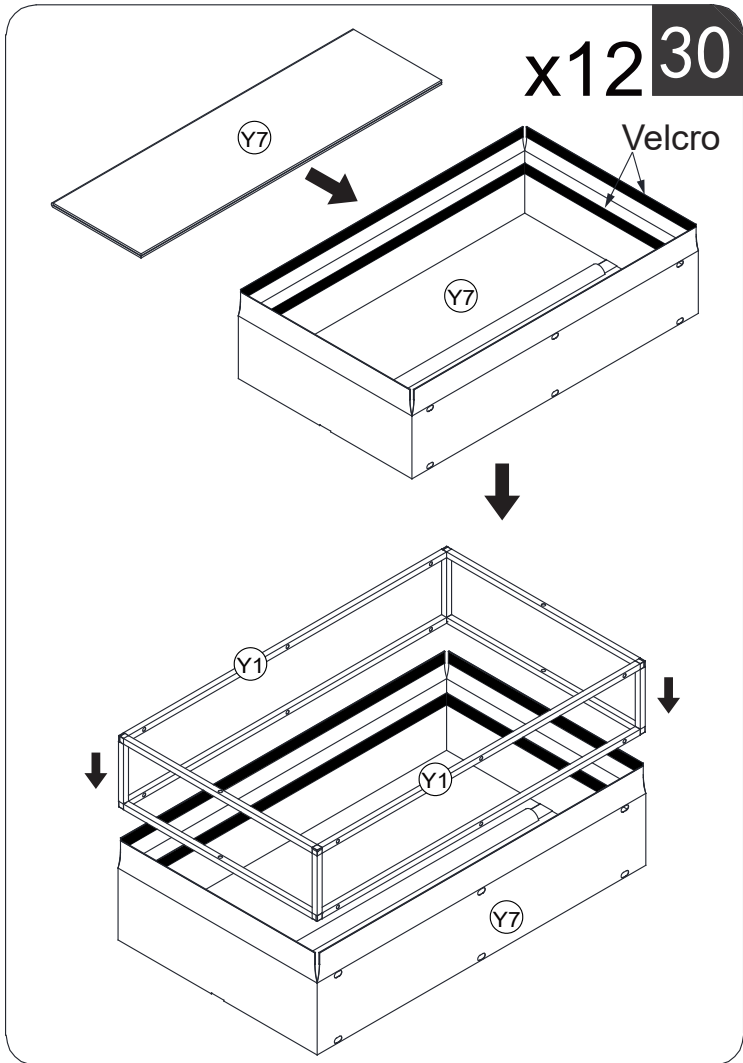


x12 28

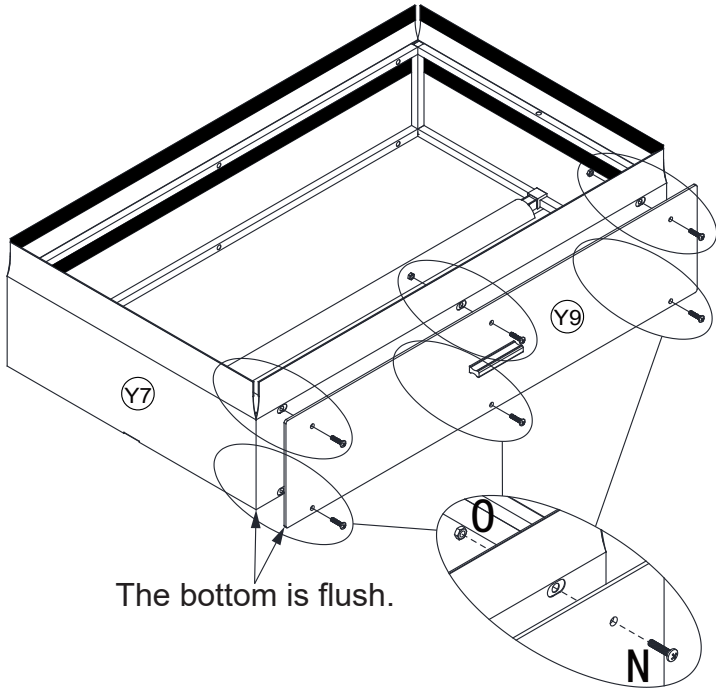


x12 29







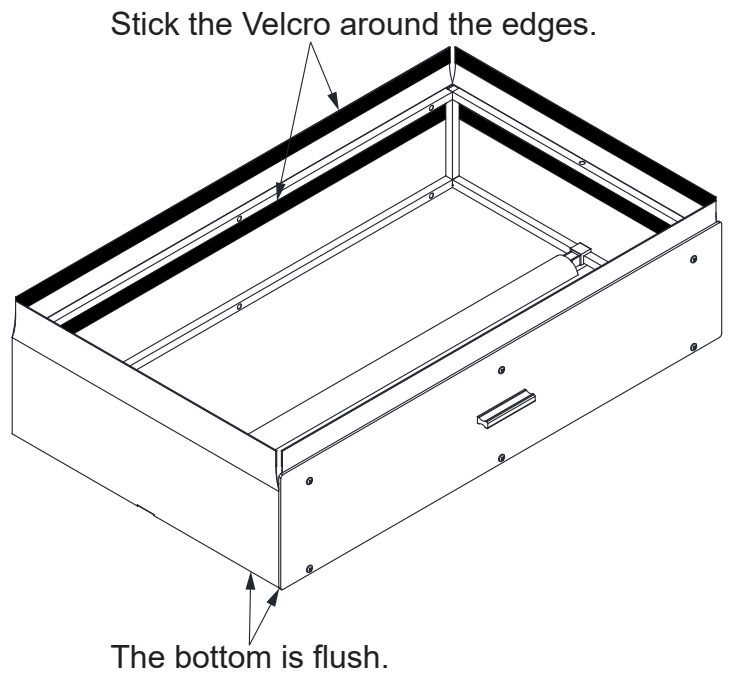
x12 34



The bottom is flush.

N	 M4x18	72pcs
O	 M4	72pcs

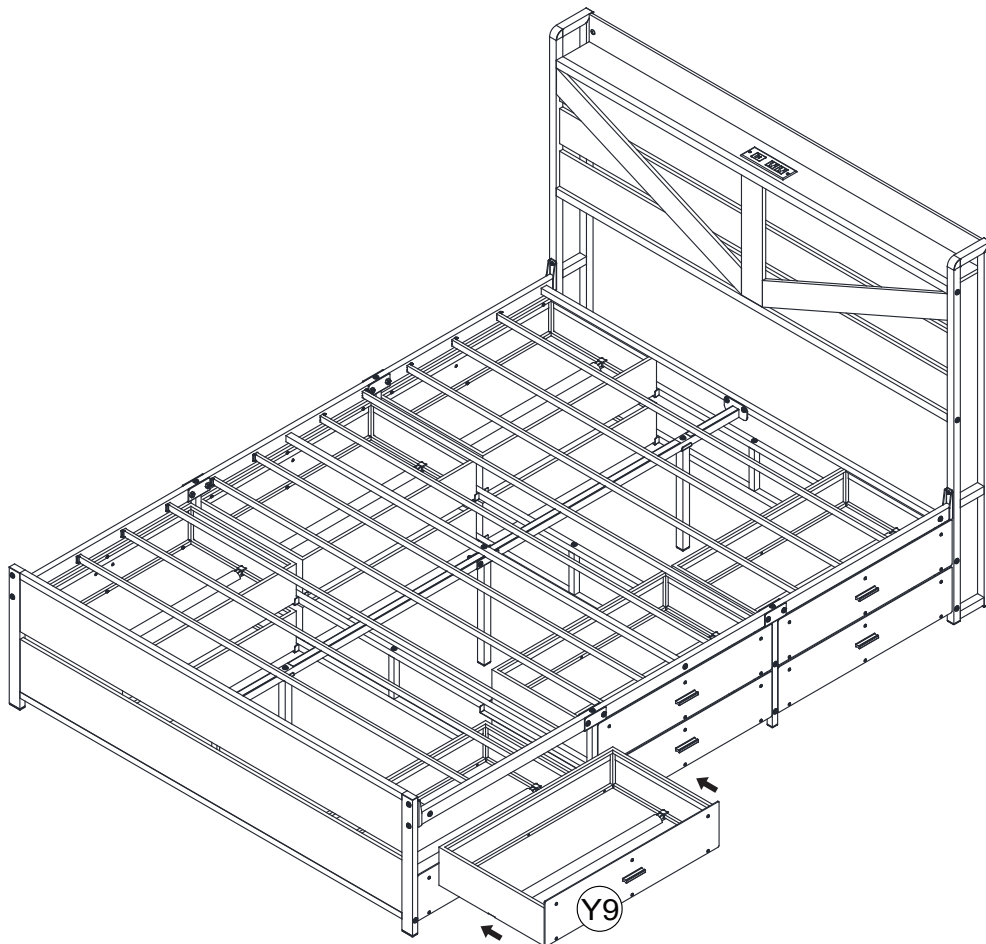
35

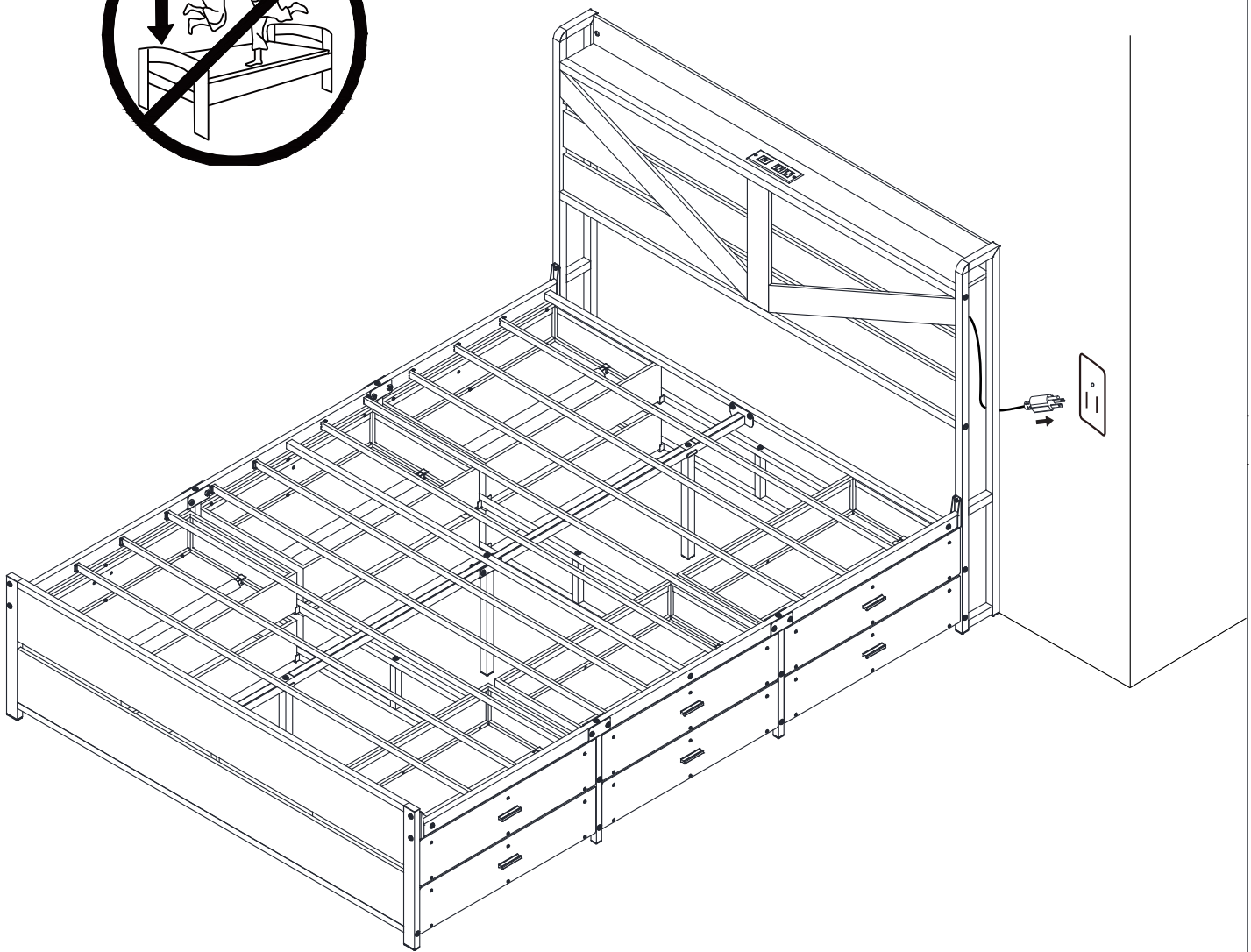


Stick the Velcro around the edges.

The bottom is flush.

36





Finish