

SPEAKMAN®

Neo ADA Hand-held Shower/Tub Combination SM-1050-P

DESCRIPTION

Speakman Neo ADA Hand-held Shower Combination unites the best products included in our Neo Series, while maintaining ADA requirements. The combination begins with our anti-scald balanced pressure valve with integral stops, featuring a brass body and adjustable temperature limit stop. The wall plate and handle are designed with definitive Neo Collection styling. Piston-type pressure balancing/ceramic regulating cartridge assembly with built-in check valves. Meets ASME A112.18.1 / CSA B125.1 & ASSE 1016 standards. The featured product in the Neo hand-held shower combination is the ANYSTREAM® VS-3010 hand shower with a 4" outer spray adjustment ring. Five self-cleaning plunger nozzles resist scale build-up and provide 50 spray streams for a full body coverage pattern. The center core nozzle delivers 12 massaging jets and a combination spray is included. Water-conserving pressure compensating AUTOFLO® device reduces flow to 2.5 GPM / 9.46 LPM maximum, to meet existing ANSI A112.18.1 Standard. To control the water supply between the VS-155 supply elbow and your VS-3010 is the VS-156 ADA compliant volume control. The adjustability of your Neo SA-1002 slide bar will allow you to choose the perfect height to rest your hand shower. Finishing out the combination is the Neo S-1558 tub spout, which features an integrated diverter, matched to the style of the other components.

SPECIFICATIONS

SM-1000-P Anti-Scald Balanced Pressure Valve:

Connections: 1/2" female copper sweat inlets & shower outlet; 1/2" NPT female tub outlet

Flow Rate: For use with showerheads rated at 2.0 GPM (7.6 LPM) or higher

VS-3010 Hand-Held Shower:

Supply: 1/2" NPT female

Flow Rate: 2.5 GPM / 9.46 LPM MAX

VS-155 Supply Elbow:

Supply: 1/2" NPT female inlet

Outlet: 1/2" NPSM male outlet

VS-156 Volume Control:

Supply: 1/2" NPSM male inlet

Outlet: 1/2" NPSM female outlet

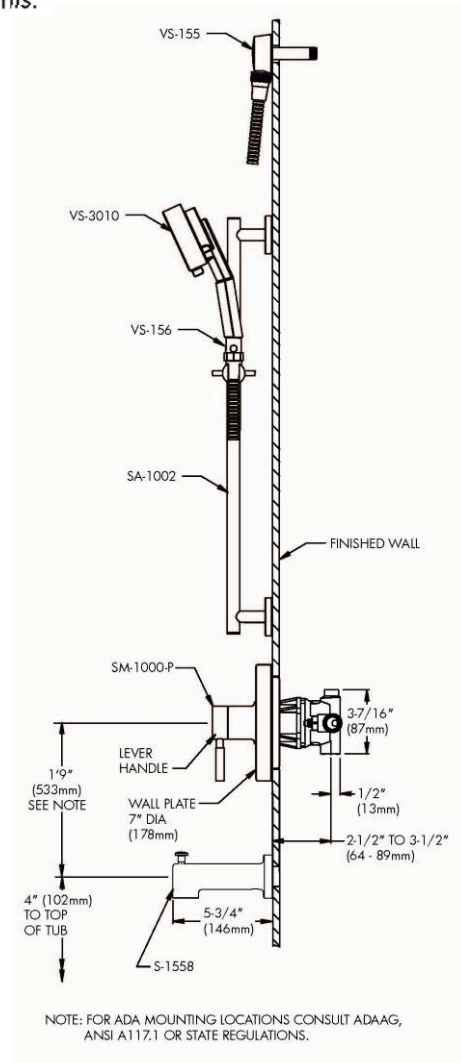
S-1558 Tub Spout with Diverter:

Supply: 1/2" copper pipe slip fit

INSTRUCTIONS

See individual products for installation of the components and warranty information.

ROUGH-IN



SPEAKMAN®

400 Anchor Mill Rd. New Castle, DE 19720
03/12

Visit us on the web at www.speakmancompany.com

Phone: 800-537-2107

Fax: 800-977-2747
IOM-SM-1050