



Freewill®
Barrier-free Shower Stall
K-12111-C



Recommended Accessories

- K-1665 Shower Light
- K-9132 Shower Drain



Codes/Standards




- CSA B45.5/IAPMO Z124
- ASTM E162
- ASTM E662
- Greenguard UL 2818 - Gold

See website for detailed warranty information.

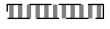

Available Color/Finishes

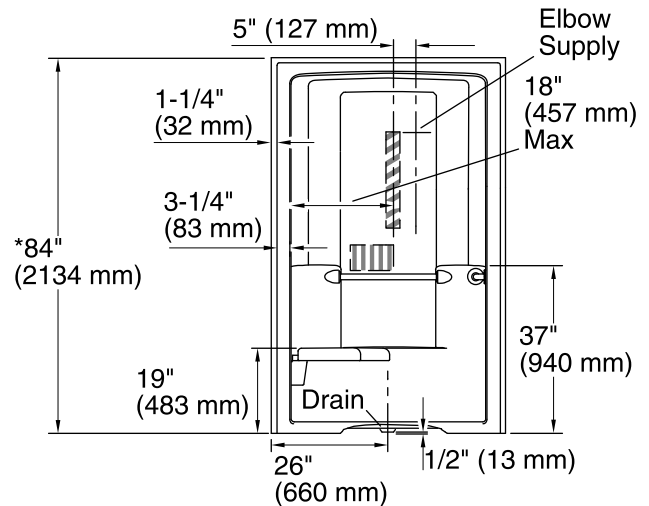
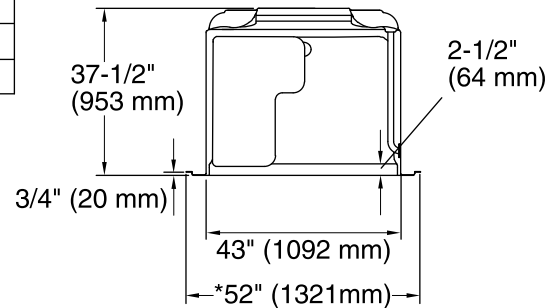
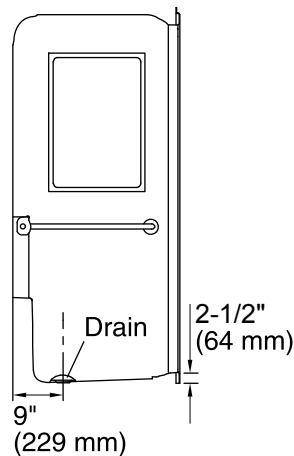
Color tiles intended for reference only.

Color Code Description

	0	White
	96	Biscuit
	47	Almond

*Recess opening must be 52-1/4" (1327 mm) x 84-1/4" (2140 mm).

	Represents control area for faucets
	Represents 24" (610 mm) wall mount slide bar.



Technical Information

All product dimensions are nominal.

- Installation: 3-Wall Alcove
- Drain location: Center rear
- Drain hole diameter: 3-3/8" (86 mm)
- Weight: 200 lbs (90.7 kg)
- Minimum flat for door: 2-1/2" (64 mm)

Notes

- Measure your actual product for rough-in details. Install this product according to the installation instructions.
- Measure your actual product for roughing-in details.
- For increased accessibility, utilize "pit" installation as detailed in instructions.
- For optimum accessibility, specify faucets and fittings to install and operate within the control area shown.
- The fixture is not drilled for supply fittings.
- Stud opening tolerance is + 1/4" (6 mm), - 0" (0 mm).
- Shimming may be required to level the fixture. Shimming between stud frame and fixture may be required.
- When fire rated construction is specified, dimensions are to the inside of the fire-rated wall.