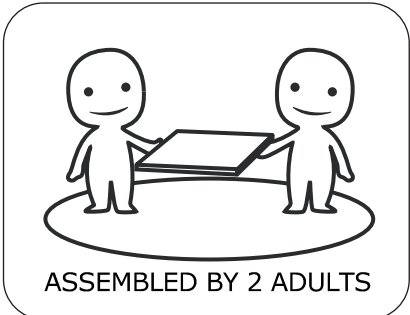
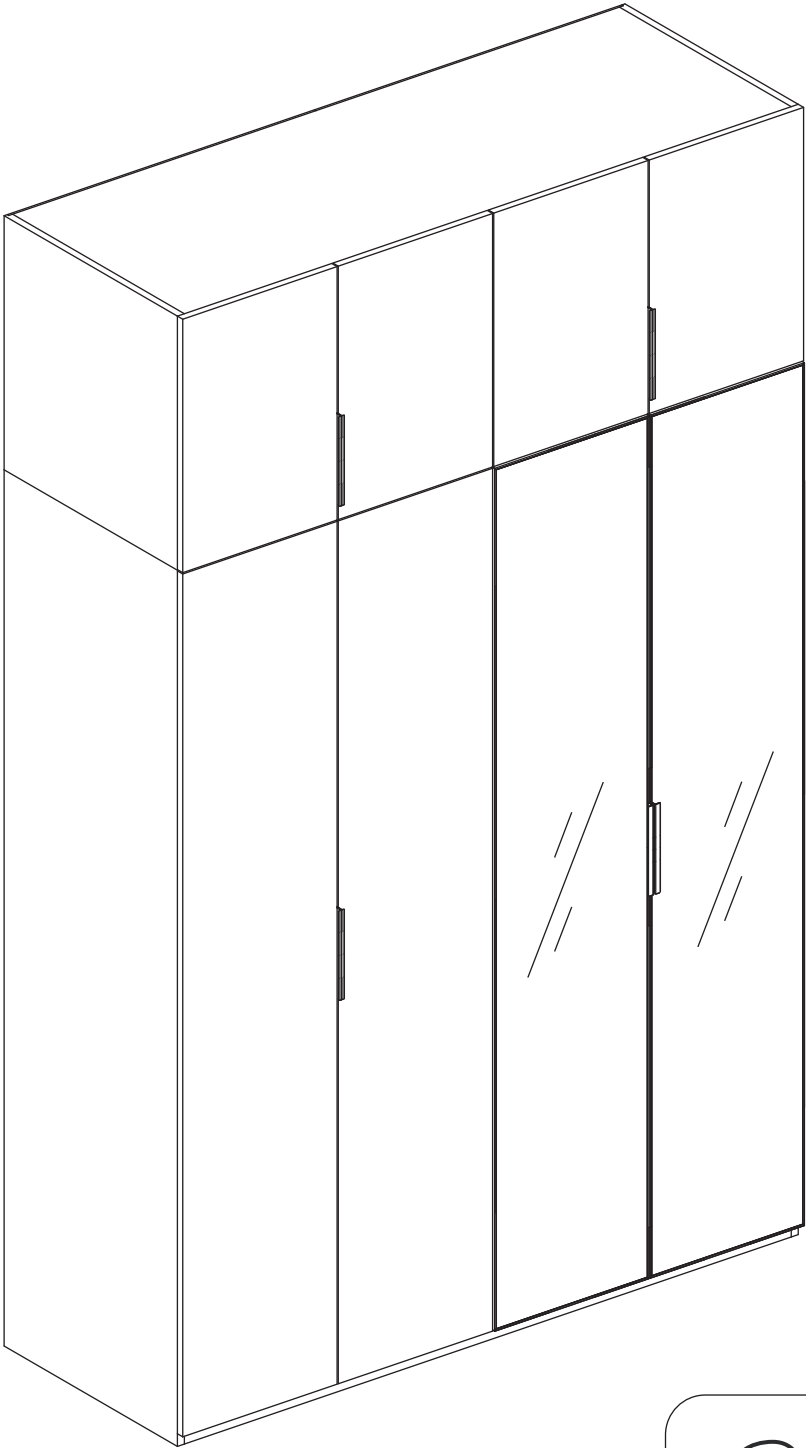


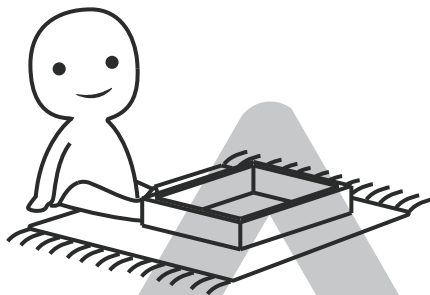
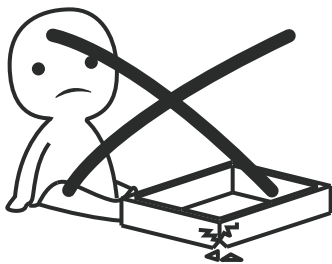
# Wardrobe





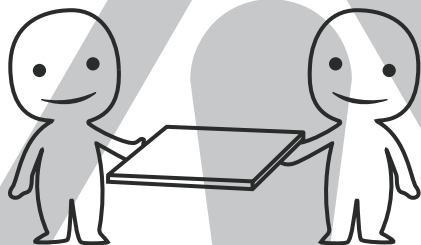
### **IMPORTANT INFORMATION!**

please read the entire manual before starting to assemble and/or using this product. follow the manual thoroughly and keep it for further reference.



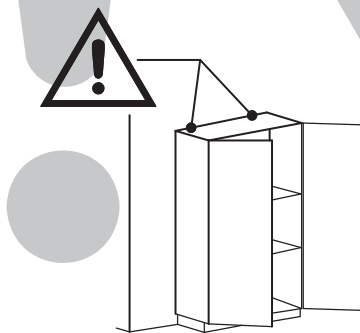
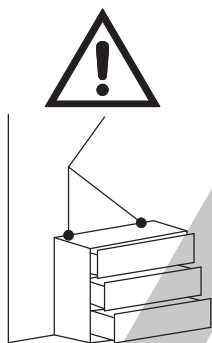
### **AVOID SCRATCHES!**

In order to avoid scratching this furniture should be assembled on a soft layer- could be a rug.



### **IMPROVE EFFICIENCY !**

Try to find a partner to install with you, which can speed up the installation efficiency and shorten the time.



### **ANTI-TOPPLE WARNING !**

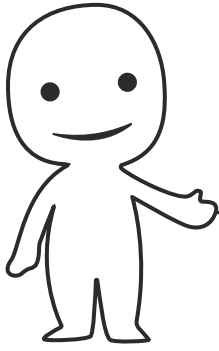
Overturned furniture can cause serious or fatal crush injuries. To prevent tipping over, be sure to use the wall attachment, if not included with this product. Please purchase the wall attachment that fit your wall. If unsure, seek professional advice. Please read and follow each step of the instructions carefully.

### **IMPORTANT !**

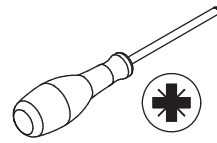
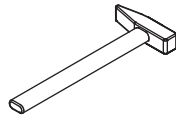
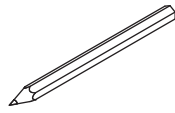
It is important that any product which is assembled using any kind of screw is re-tightened 2 weeks after assembly, and once every 3 months - in order to assure stability through-out the lifespan of the product.

For regular maintenance and cleaning of the product, for the frame, please use a rag dipped in neutral detergent to fully wipe it, and then dry it with a clean rag. For glass materials, wipe with a rag dampened with water glass cleaner, and then dry with a dry rag.

Do not use an electric screwdriver, and do not use too much force when installing, because the board is easy to break.




Please prepare the following tools



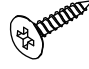
When installing, please carefully confirm whether each screw corresponds to the manual, accessories with similar shapes can be distinguished by size

A x 9



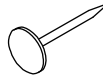
Ø6 x 25 mm

B x 170



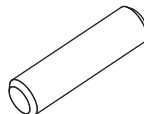
Ø4 x 16 mm

C x 27



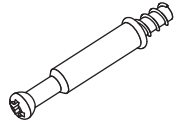
Ø2 x 20 mm

D x 36



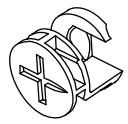
Ø8 x 40 mm

E x 76



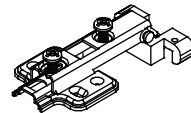
Ø5 x 45 mm

F x 76



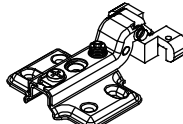
Ø15 x 12 mm

G x 4



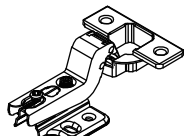
Ø20 mm

H x 4



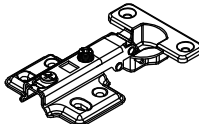
Ø20 mm

J x 8



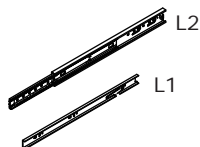
Ø35 mm

K x 8



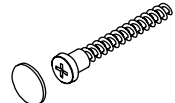
Ø35 mm

L x 4




L2  
L1  
350 mm

M x 8



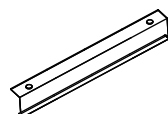
Ø6 x 45 mm

N x 5



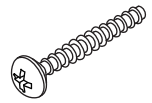
430 mm

P x 6




200 mm

Q x 8



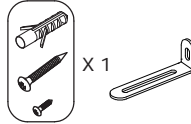
Ø6 x 40 mm

R x 8



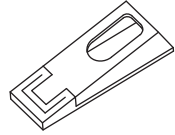
Ø20 x 20 mm

S x 2




x 1

T x 4




U x 1




371 mm

V x 1

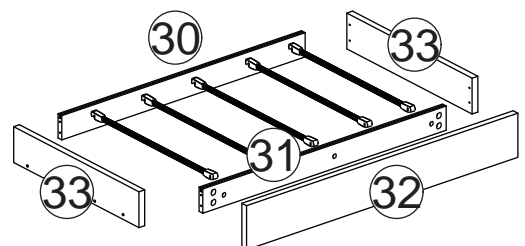
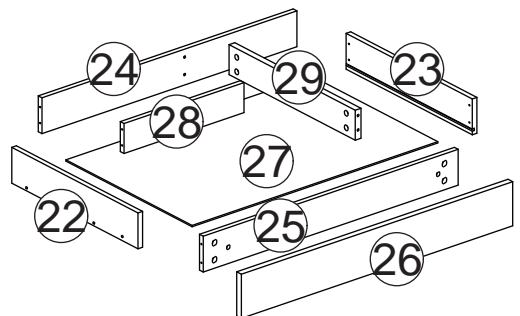
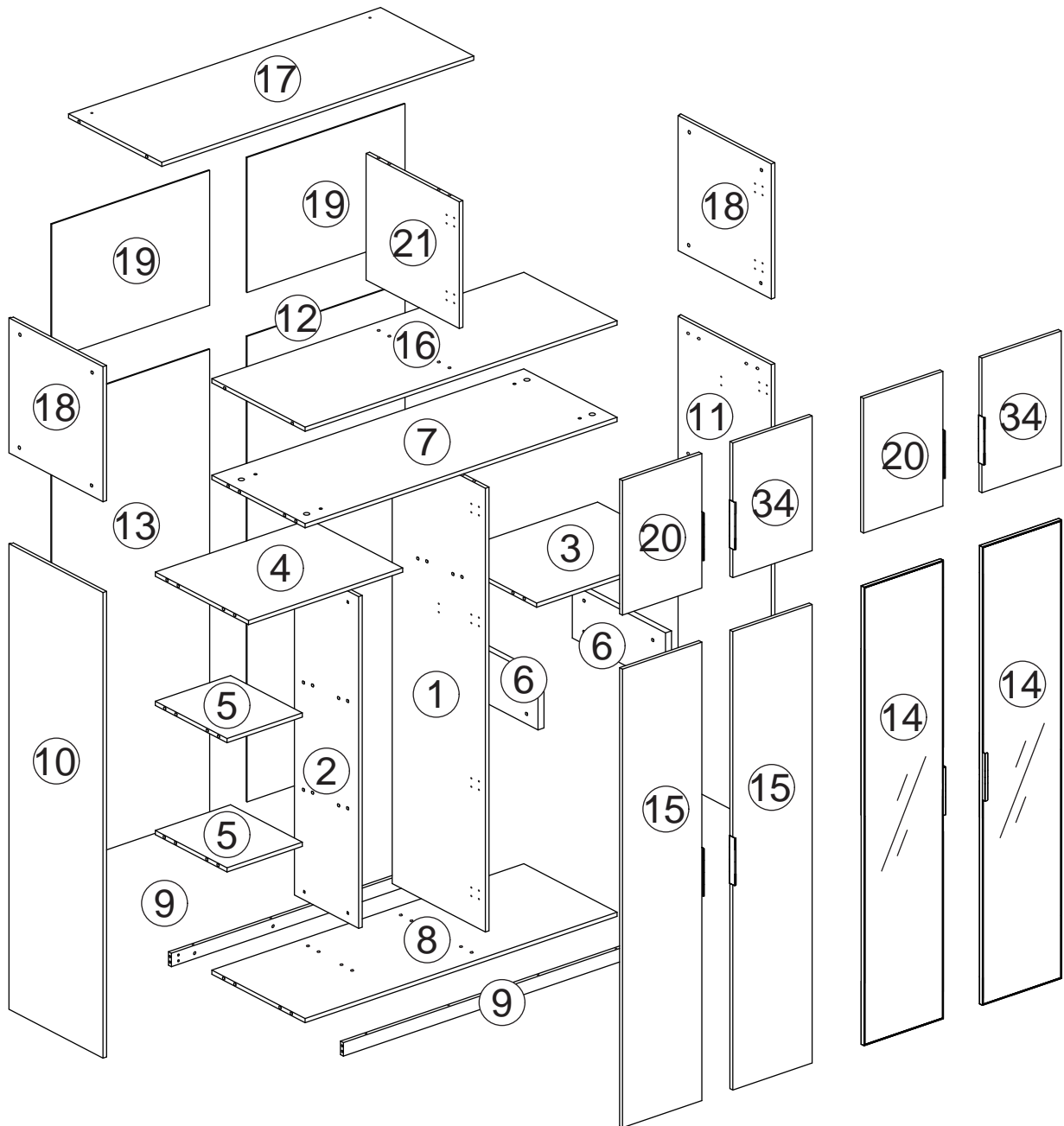


767 mm

W x 8



W-1 x4 W-2 x2



## ⚠ WARNING

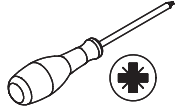
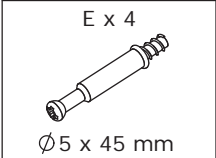


**Children have died from furniture tipover. To reduce the risk of furniture tipover:**

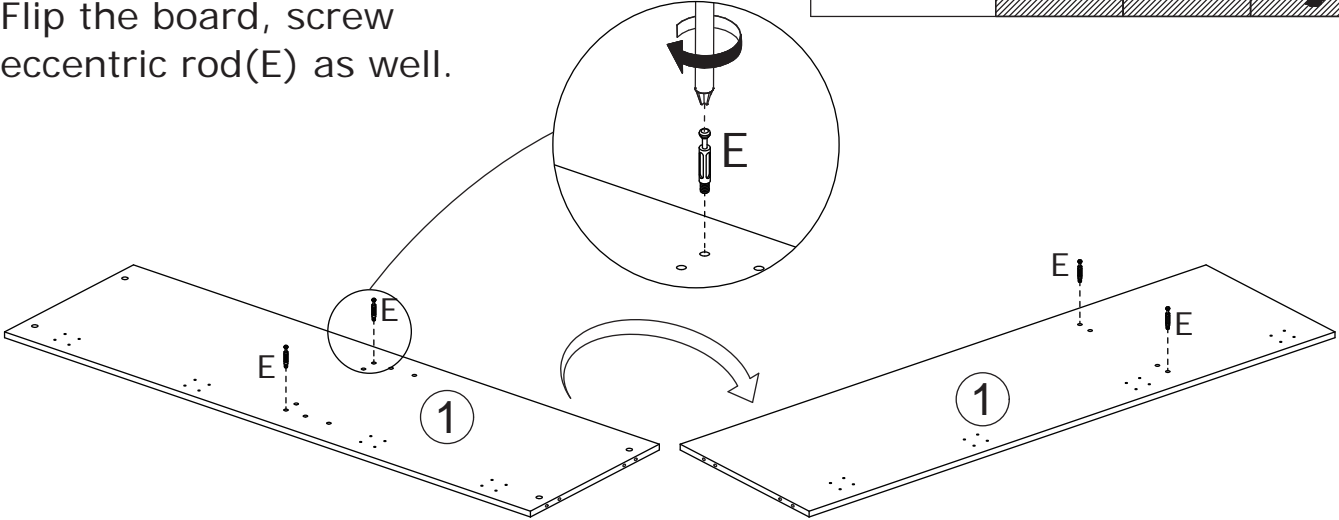
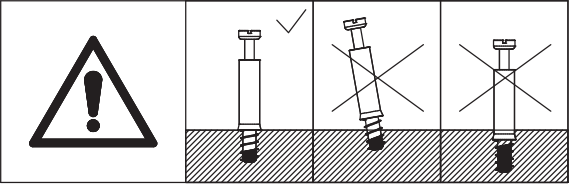
- ALWAYS install tipover restraint provided.
- NEVER put a TV on this product.
- NEVER allow children to stand, climb or hang on drawers, doors, or shelves.
- NEVER open more than one drawer at a time.
- Place heaviest items in the lowest drawers.

*This is a permanent label.  
Do not remove!*

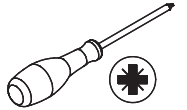
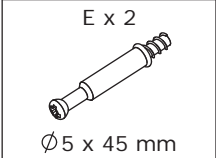
1



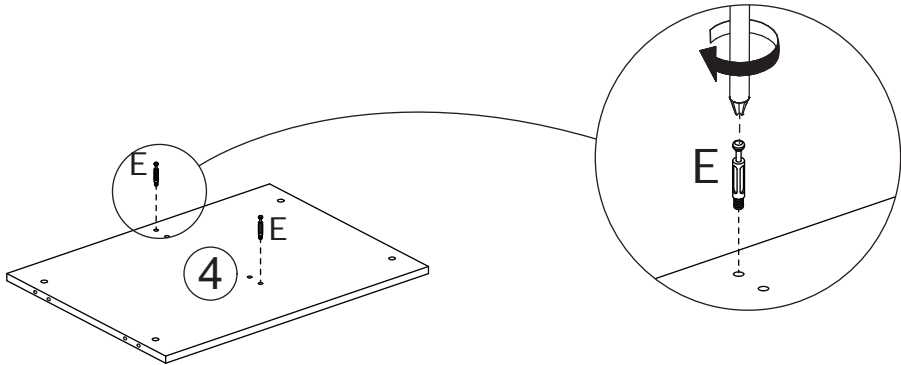
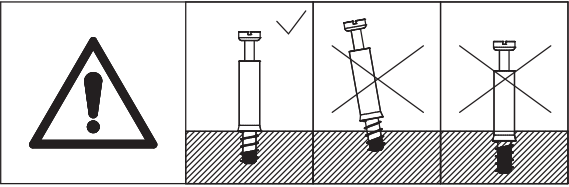
Screw eccentric rod(E) into board 1 with a screwdriver at first.  
Flip the board, screw eccentric rod(E) as well.



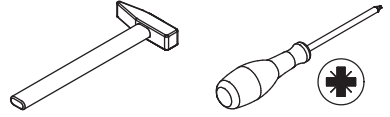
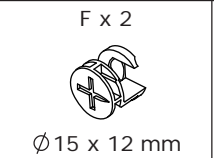
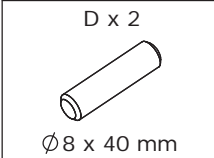
2



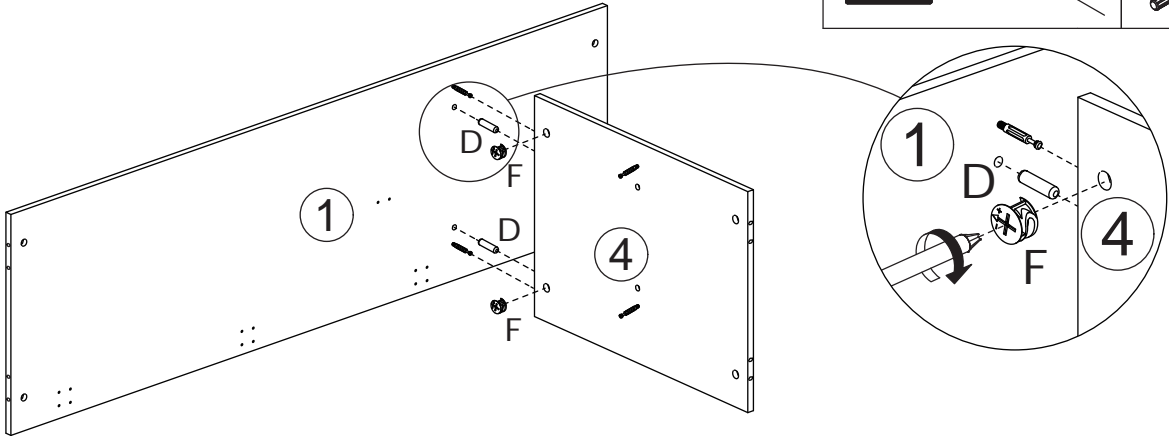
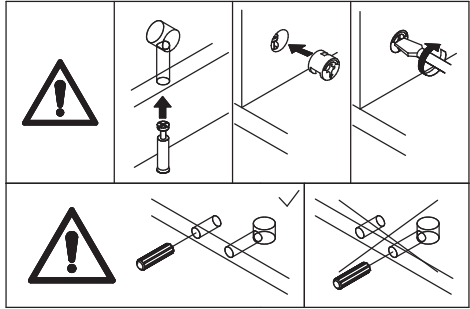
Screw eccentric rod(E) into board 4 with a screwdriver at first.



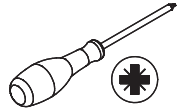
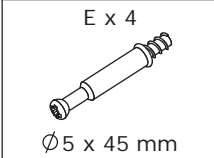
3



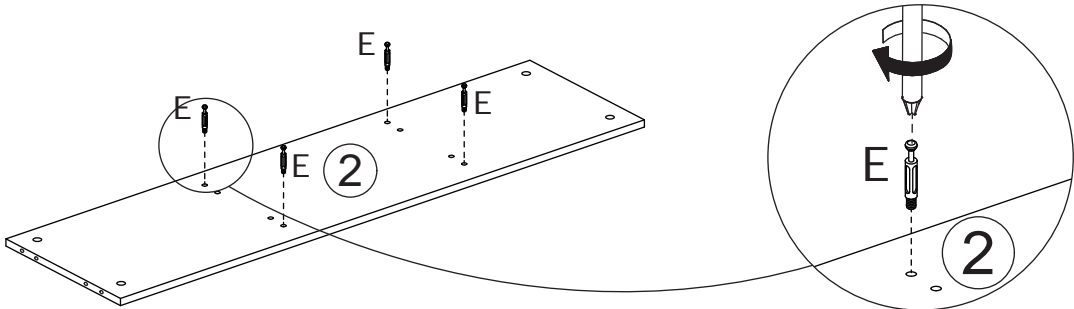
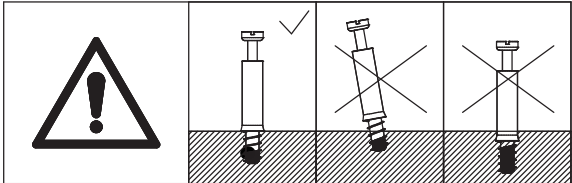
Connect board 4 to board 1 using wooden dowel(D), add cam lock(F) into board 4 and turn clockwise to tighten as shown.



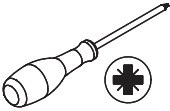
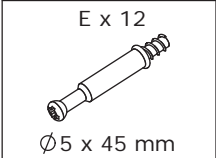
4



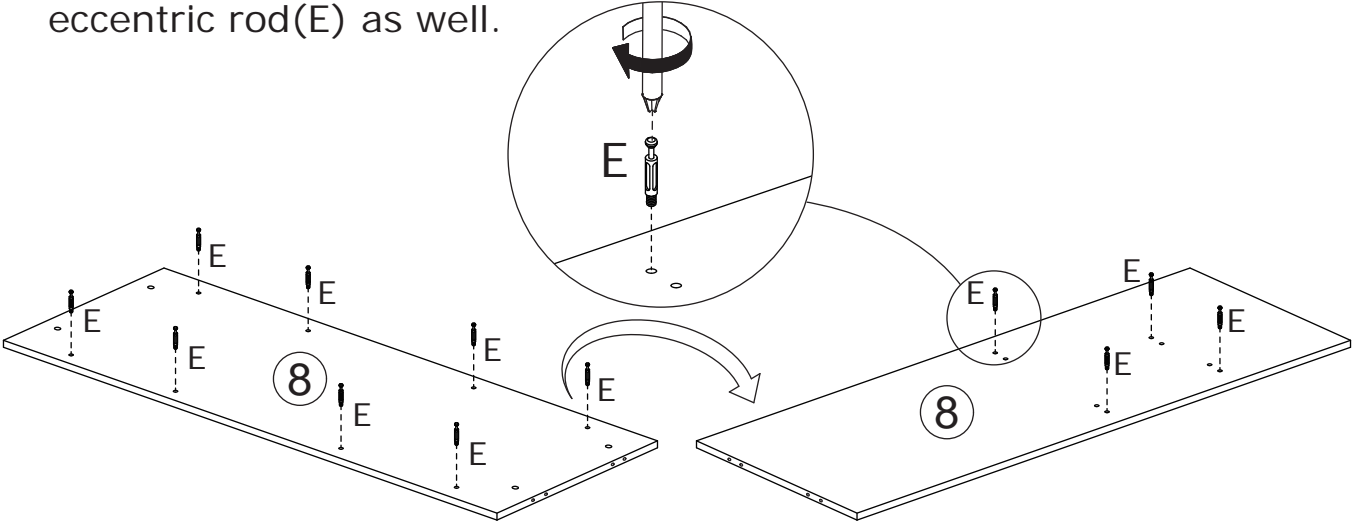
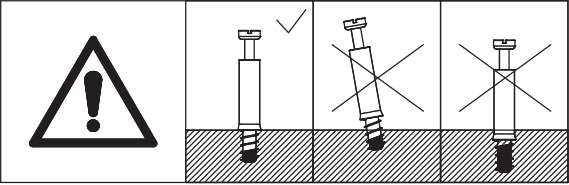
Screw eccentric rod(E) into board 2 with a screwdriver at first.



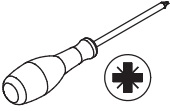
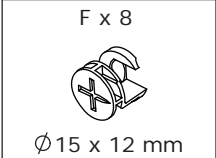
5



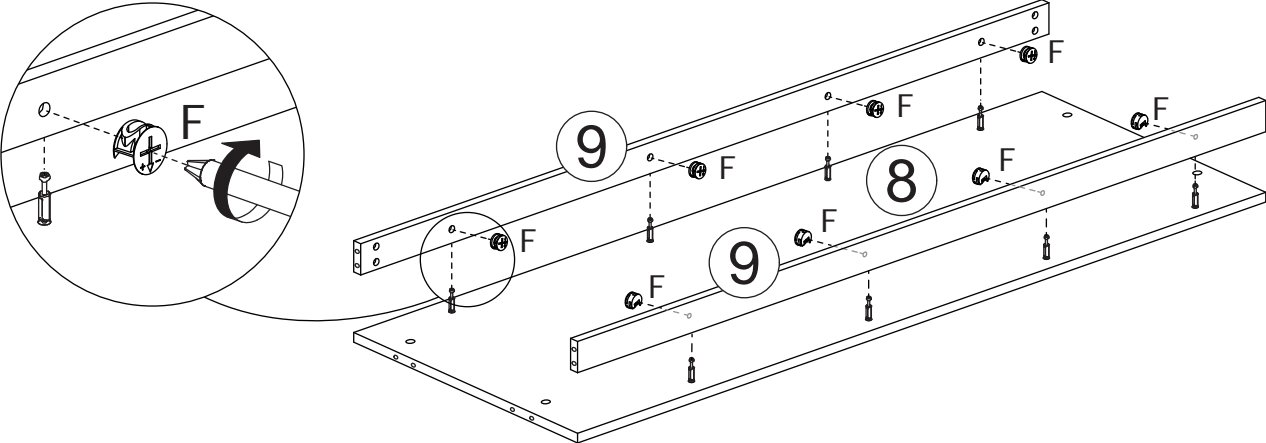
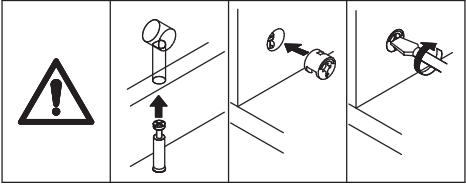
Screw eccentric rod(E) into board 8 with a screwdriver at first. Flip the board, screw eccentric rod(E) as well.



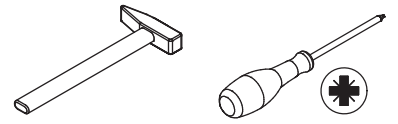
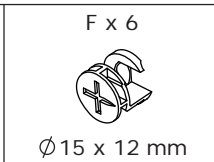
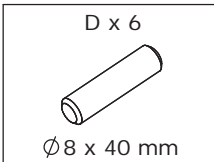
6



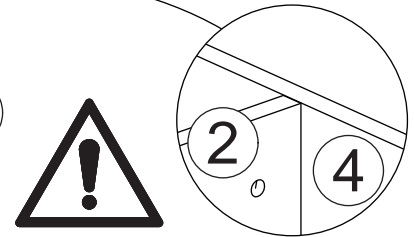
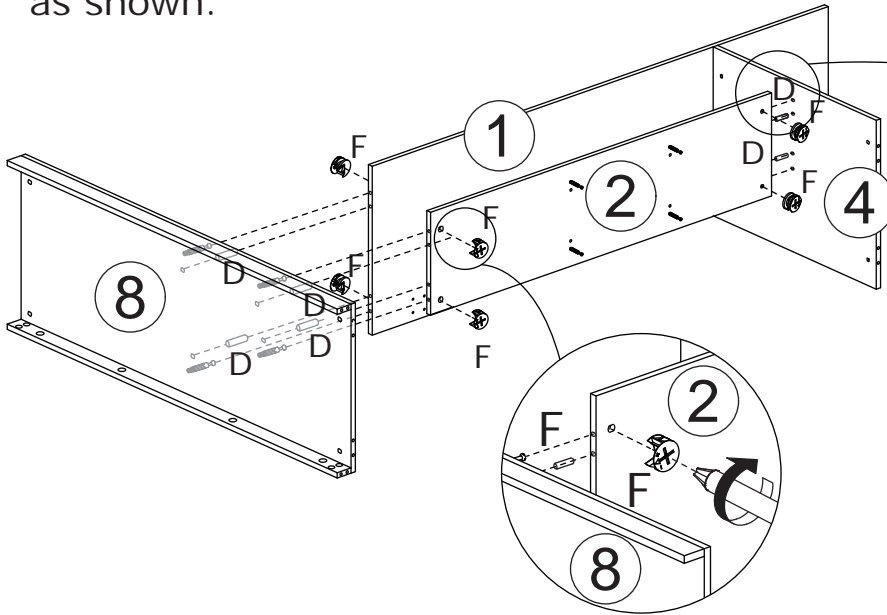
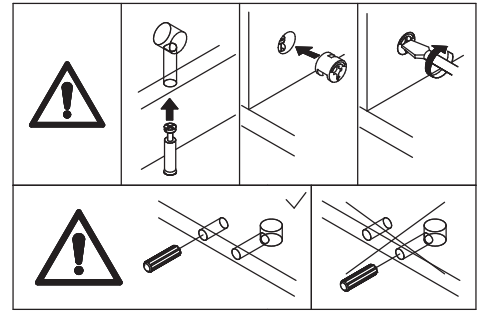
Attach board 9 to board 8, add cam lock(F) into board 9 and turn clockwise to tighten as shown.



7

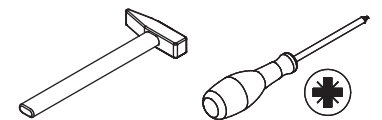
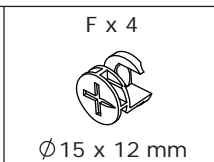
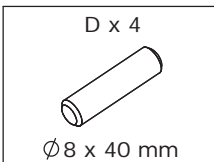


Attach board 2 to board 4 using wooden dowel(D), add cam lock(F) into board 2 and turn clockwise to tighten as shown. Attach board 8 to board 1 and 2 using wooden dowel(D), add cam lock(F) into board 1,2 and turn clockwise to tighten as shown.



Board 4 and board 2 should be in the same horizontal line, if not, please change the direction of board 2.

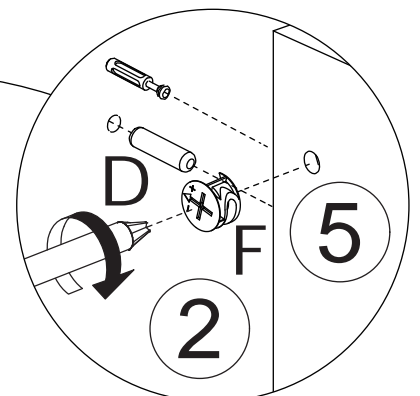
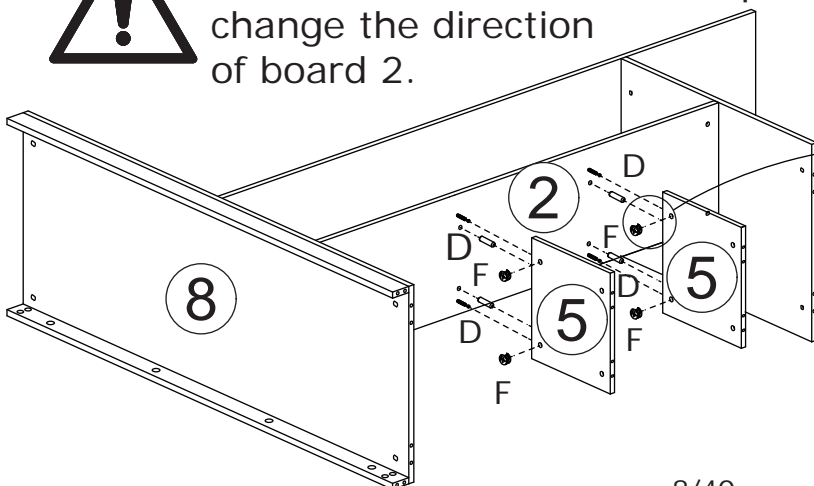
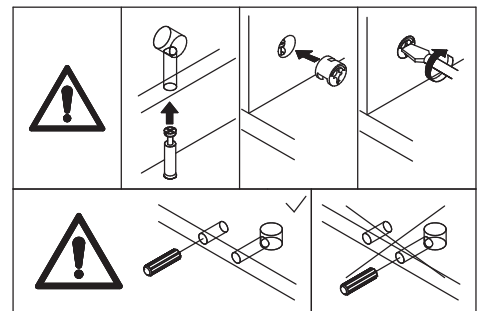
8



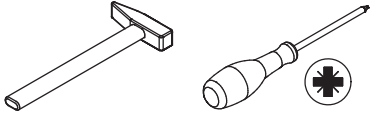
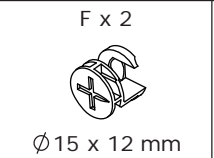
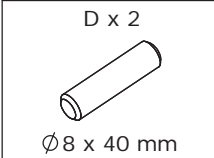
Connect board 5 to board 2 using wooden dowel(D), add cam lock(F) into board 5 and turn clockwise to tighten as shown.



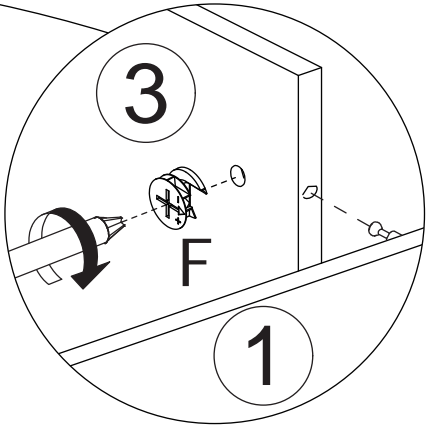
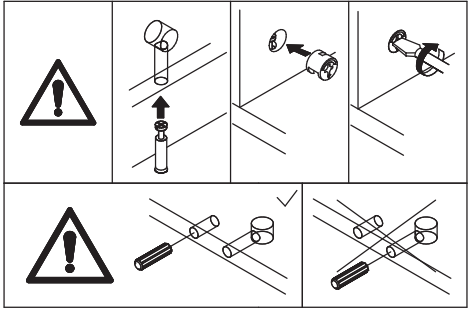
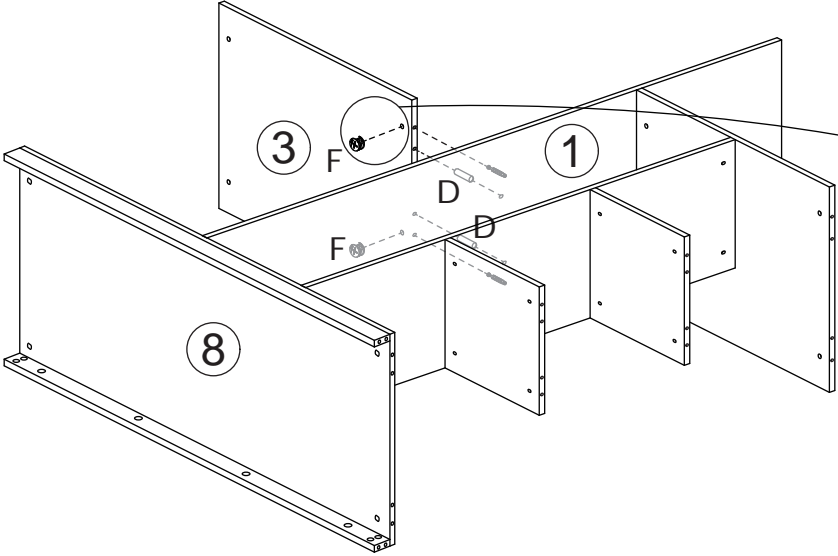
Board 4 and board 2 should be in the same horizontal line, if not, please change the direction of board 2.



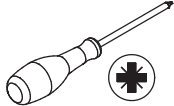
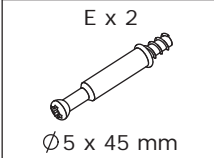
9



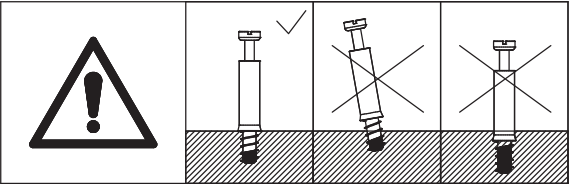
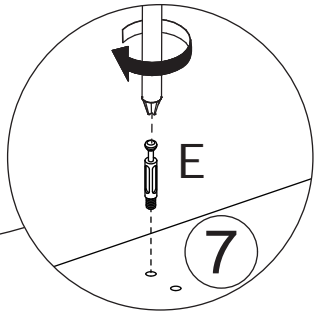
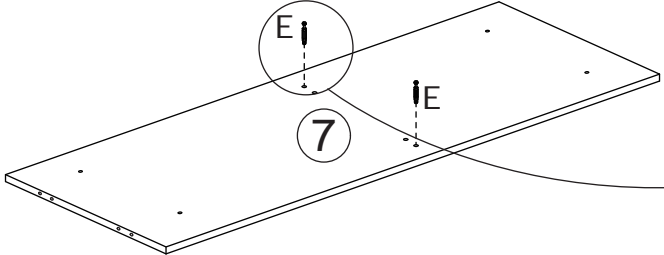
Connect board 3 to board 1 using wooden dowel(D), add cam lock(F) into board 3 and turn clockwise to tighten as shown.



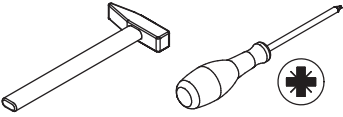
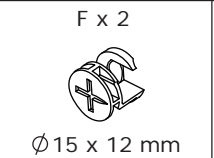
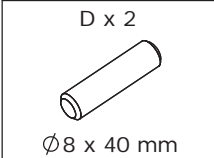
10



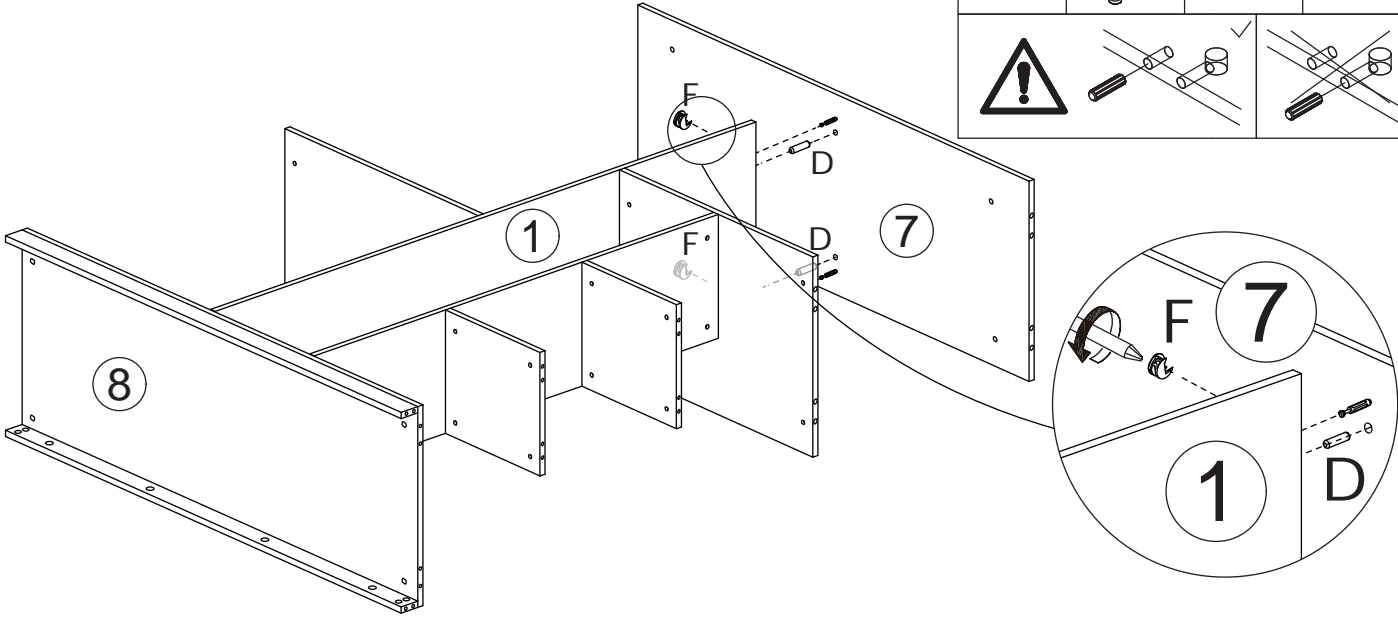
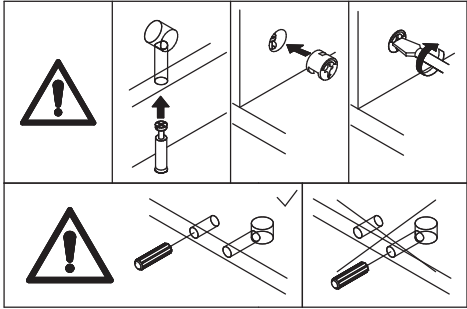
Screw eccentric rod(E) into board 7 with a screwdriver at first.



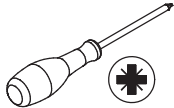
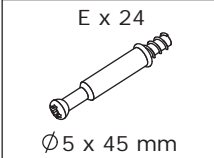
11



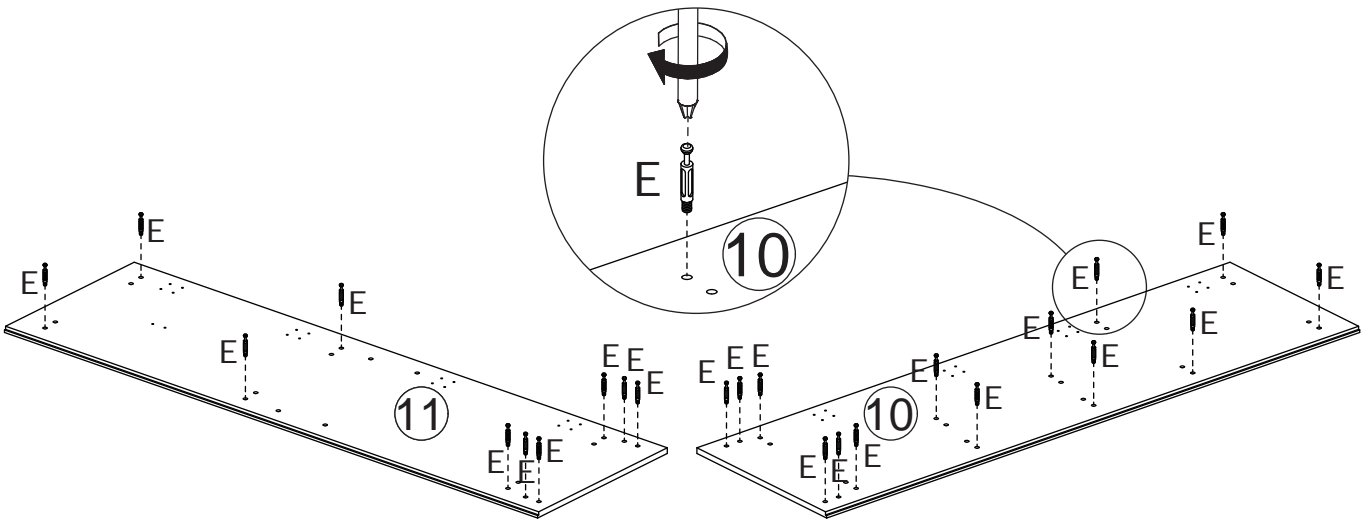
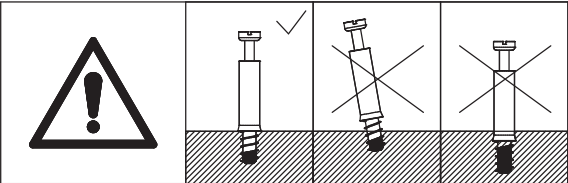
Connect board 7 to board 1 using wooden dowel(D), add cam lock(F) into board 1 and turn clockwise to tighten as shown.



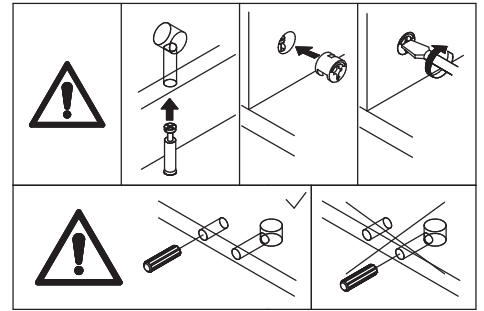
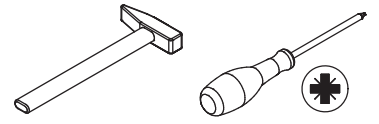
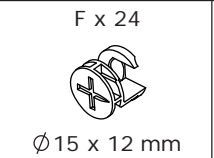
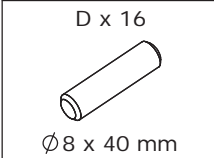
12



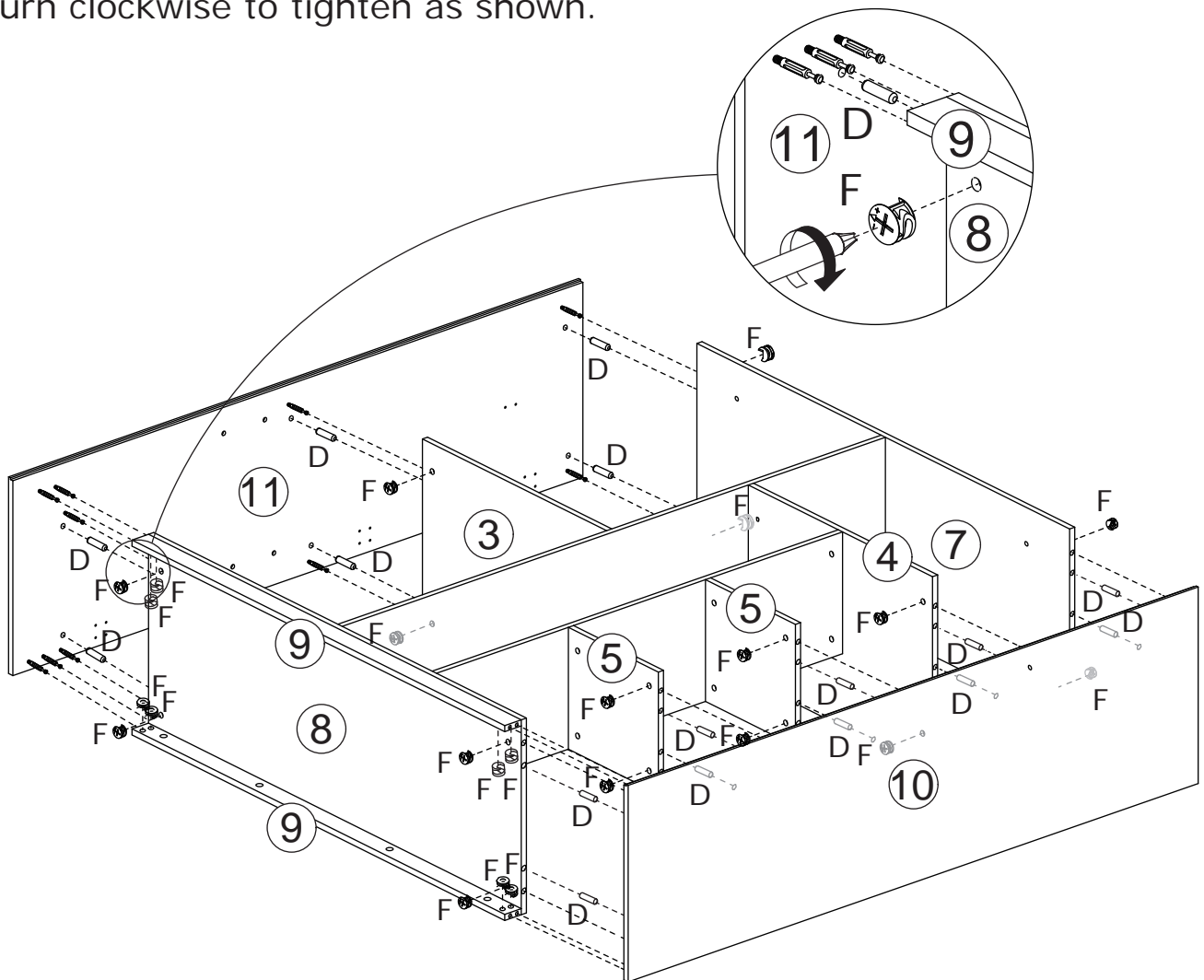
Screw eccentric rod(E) into board 10 and 11 with a screwdriver at first.






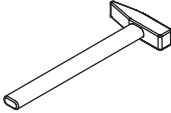
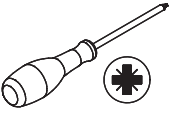
13



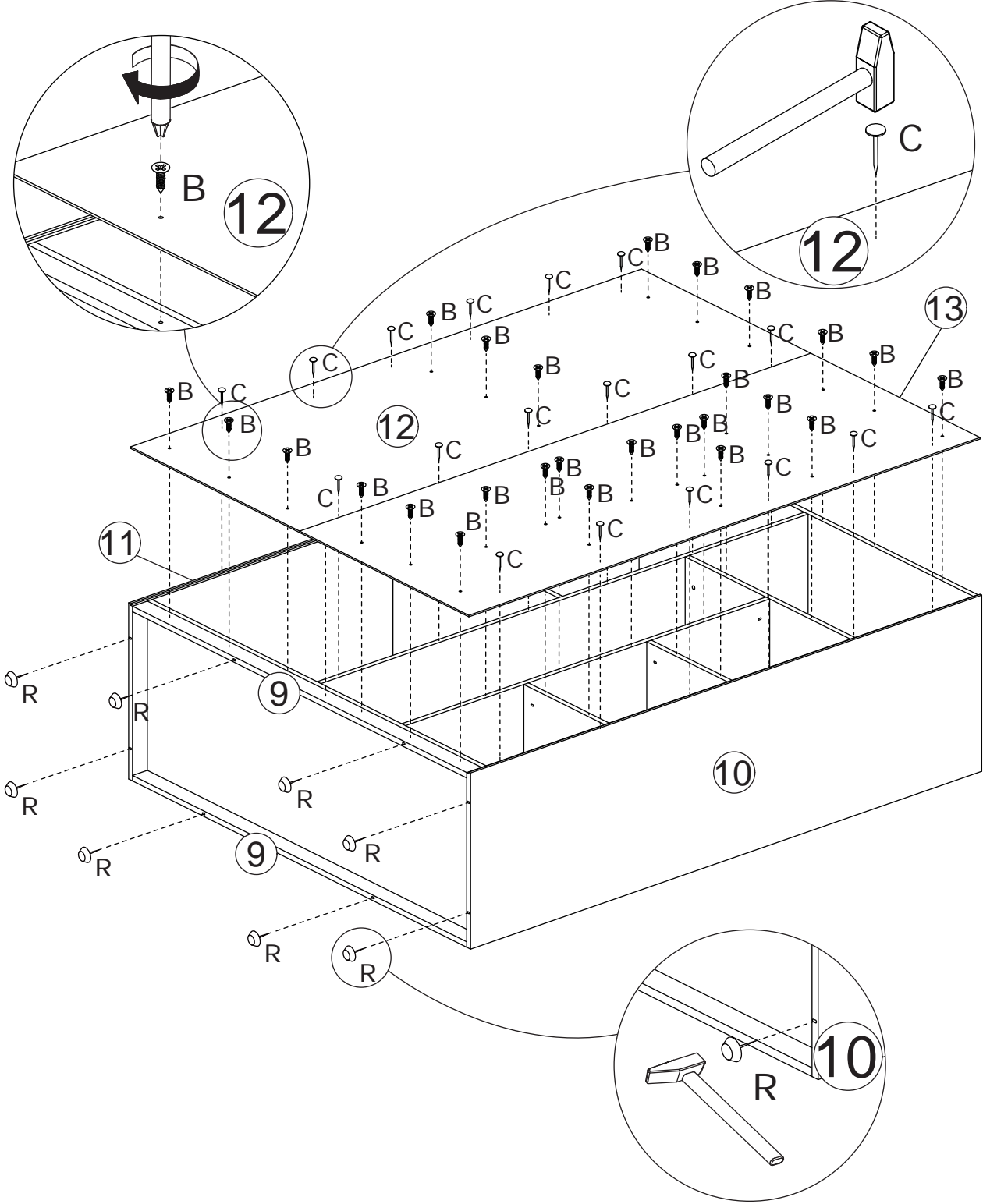
Attach board 10 and 11 to the component using wooden dowel(D) at first, add cam lock(F) and turn clockwise to tighten as shown.



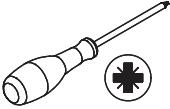
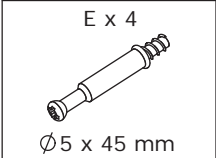
14

B x 26  Ø4 x 16 mm	C x 18  Ø2 x 20 mm	R x 8  Ø20 x 20 mm	 
---	---	---	--

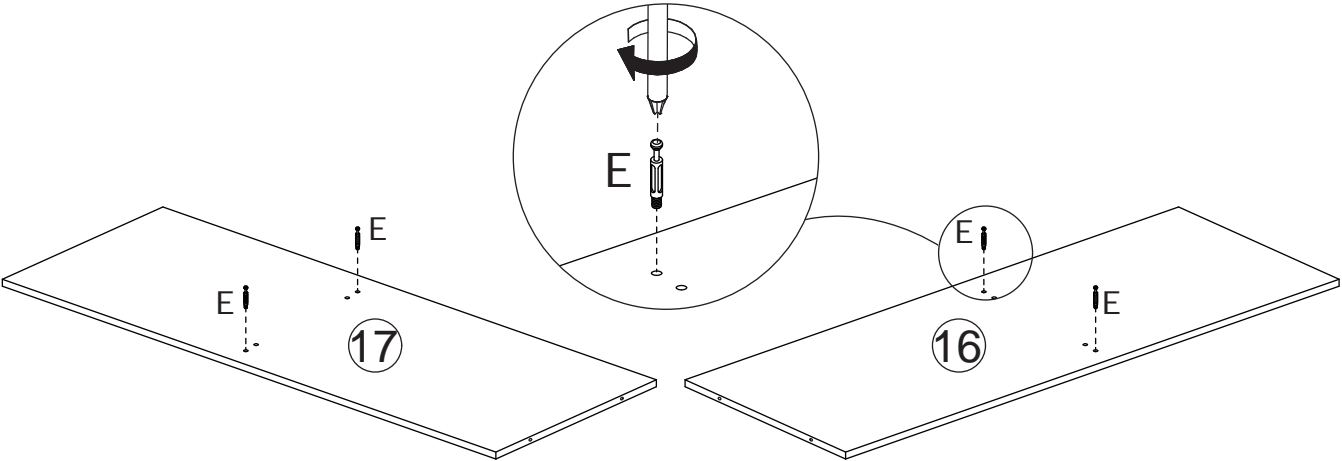
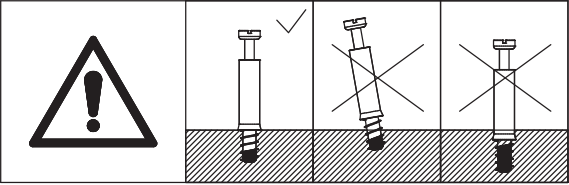
Fix back board 12 to the cabinet using screw(B) and nail(C) as shown. Knock foot peg(R) into bottom of the cabinet as shown.



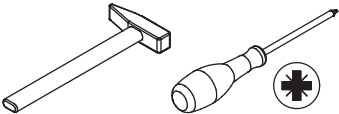
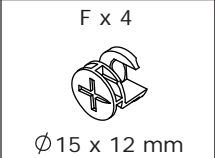
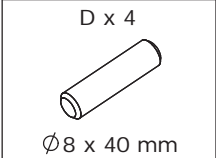
15



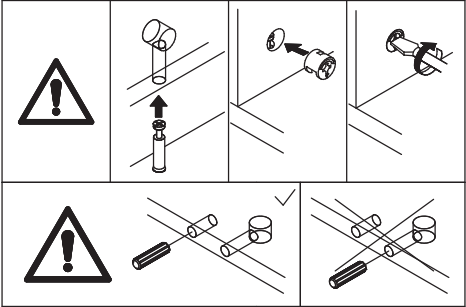
Screw eccentric rod(E) into board 16 and 17 with a screwdriver at first.



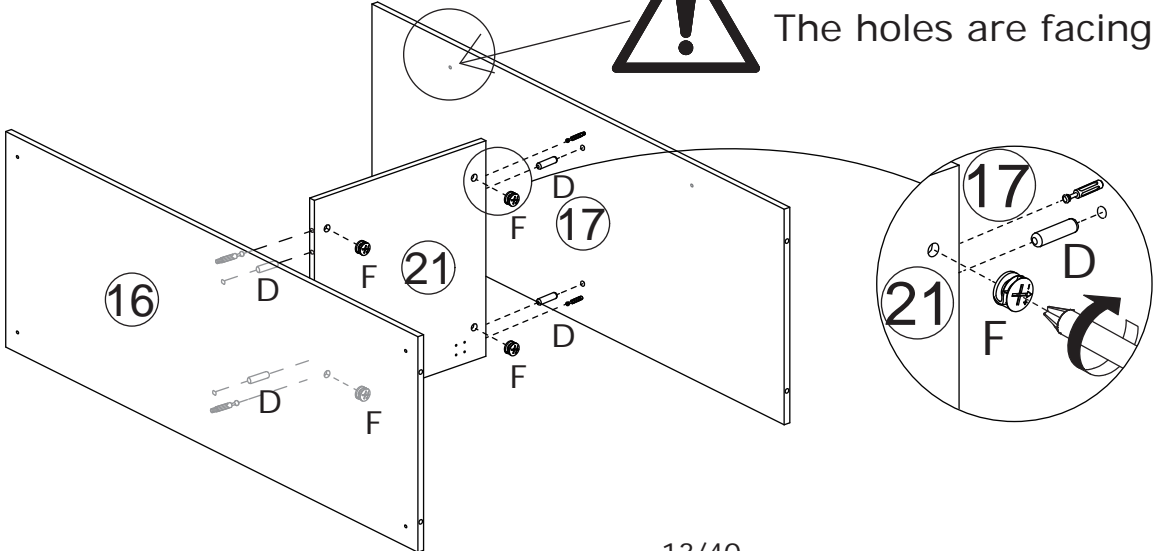
16



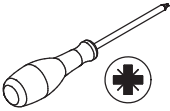
Connect board 16 and 17 to board 21 using wooden dowel(D), add cam lock(F) into board 21 and turn clockwise to tighten as shown.



The holes are facing up



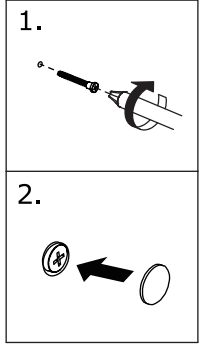
17



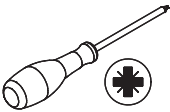
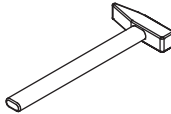
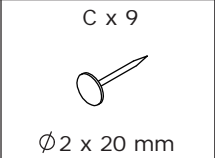
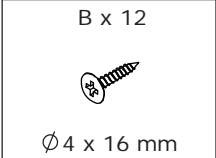
Connect board 18 to board 16 and 17, and fix with screw(M) as shown.



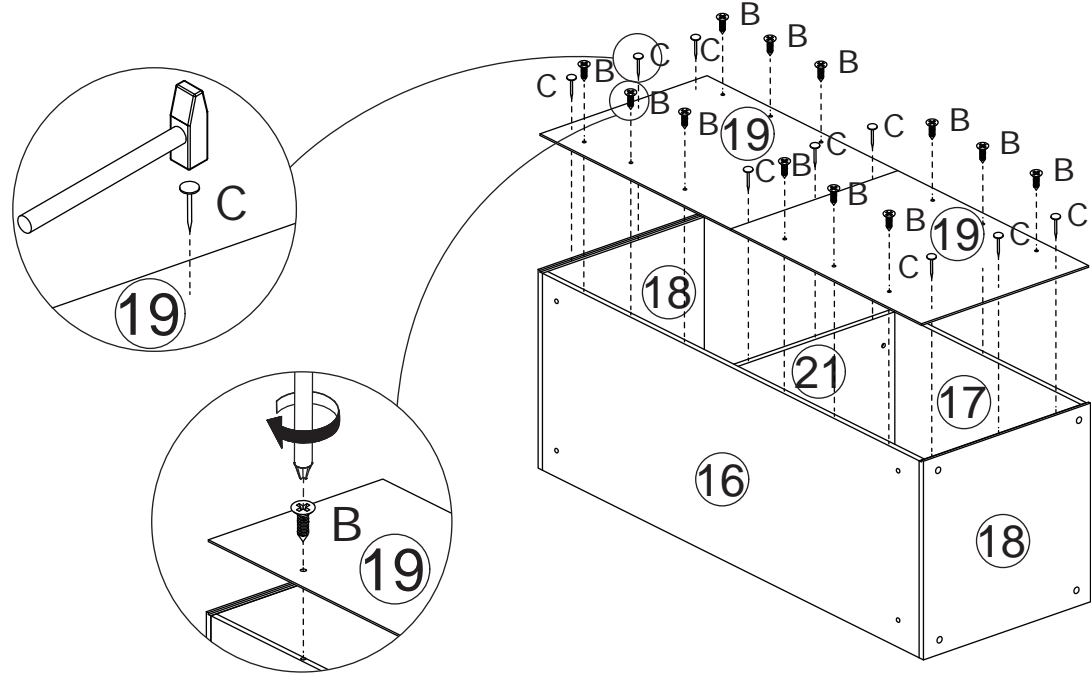
The holes are facing up



18



Fix back board 19 to the small cabinet using screw(B) and nail(C) as shown.

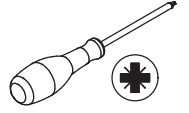


19

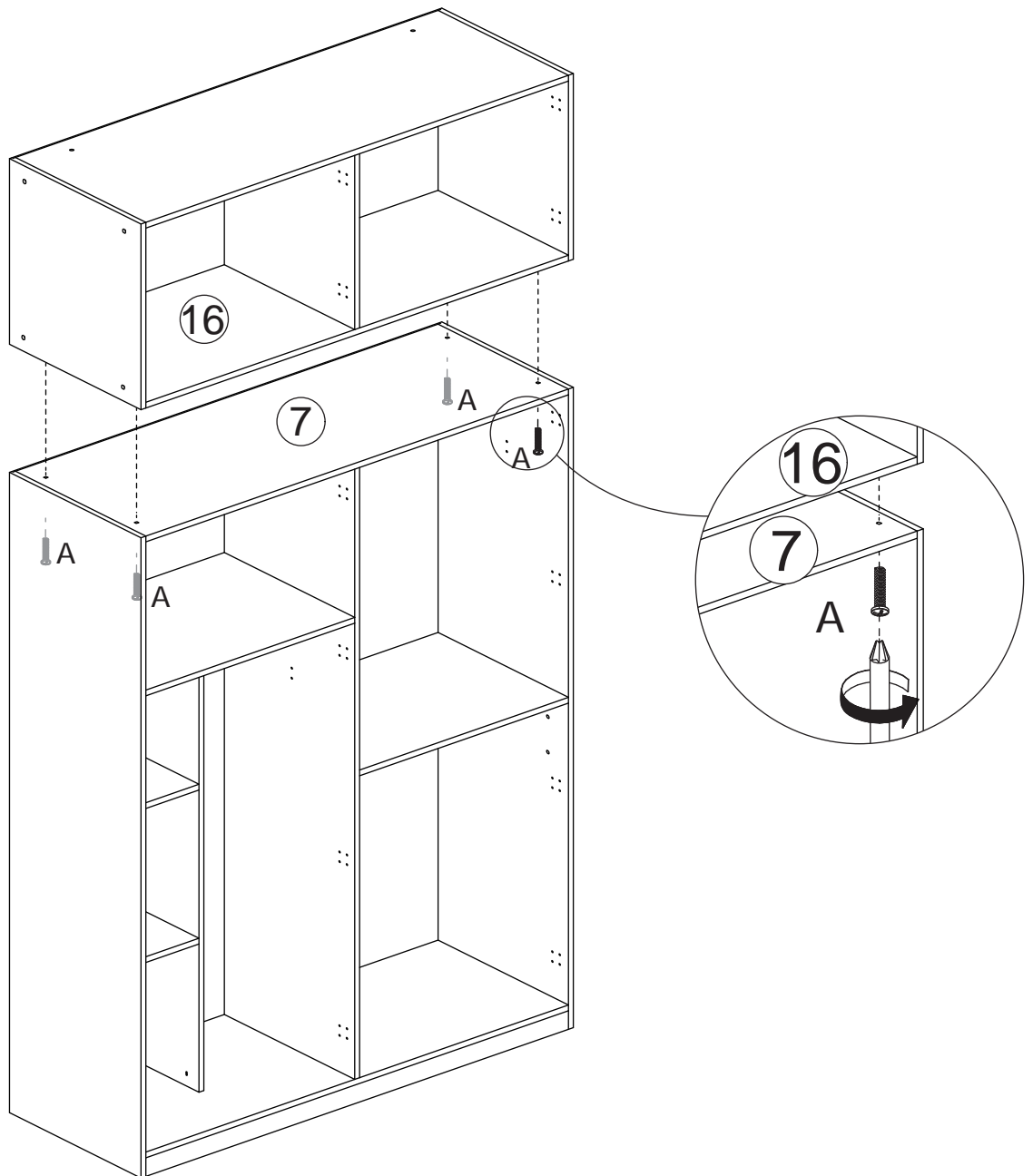
A x 4



Ø6 x 25 mm

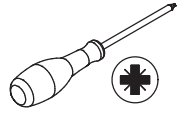
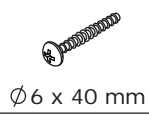


Fix the top small cabinet to the big one using screw(A) as shown.

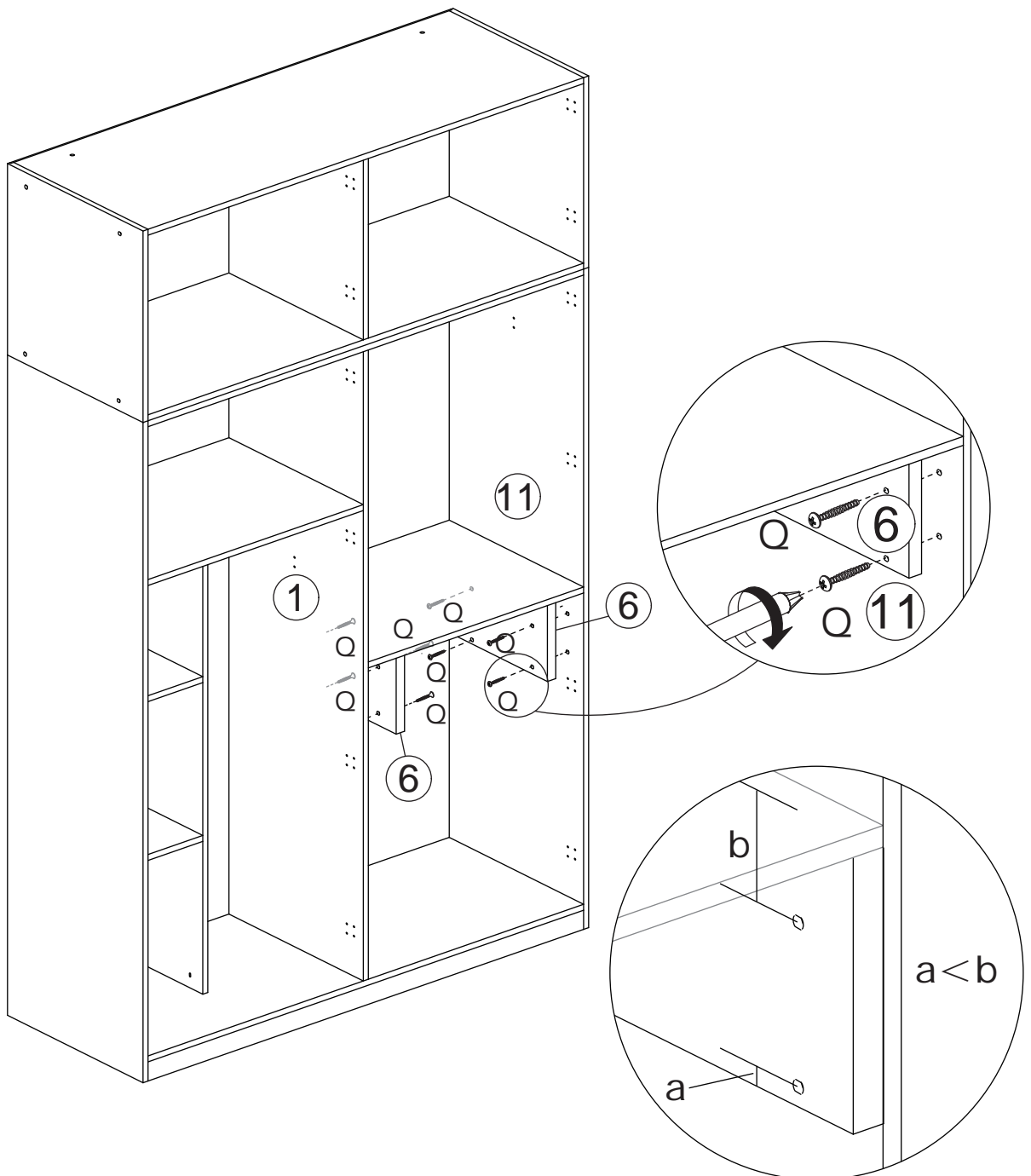


20

Q x 8



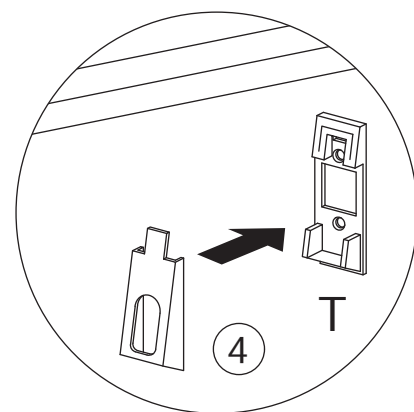
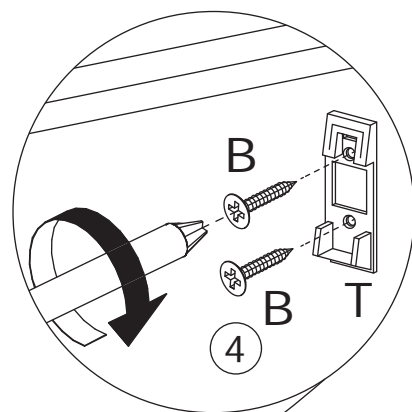
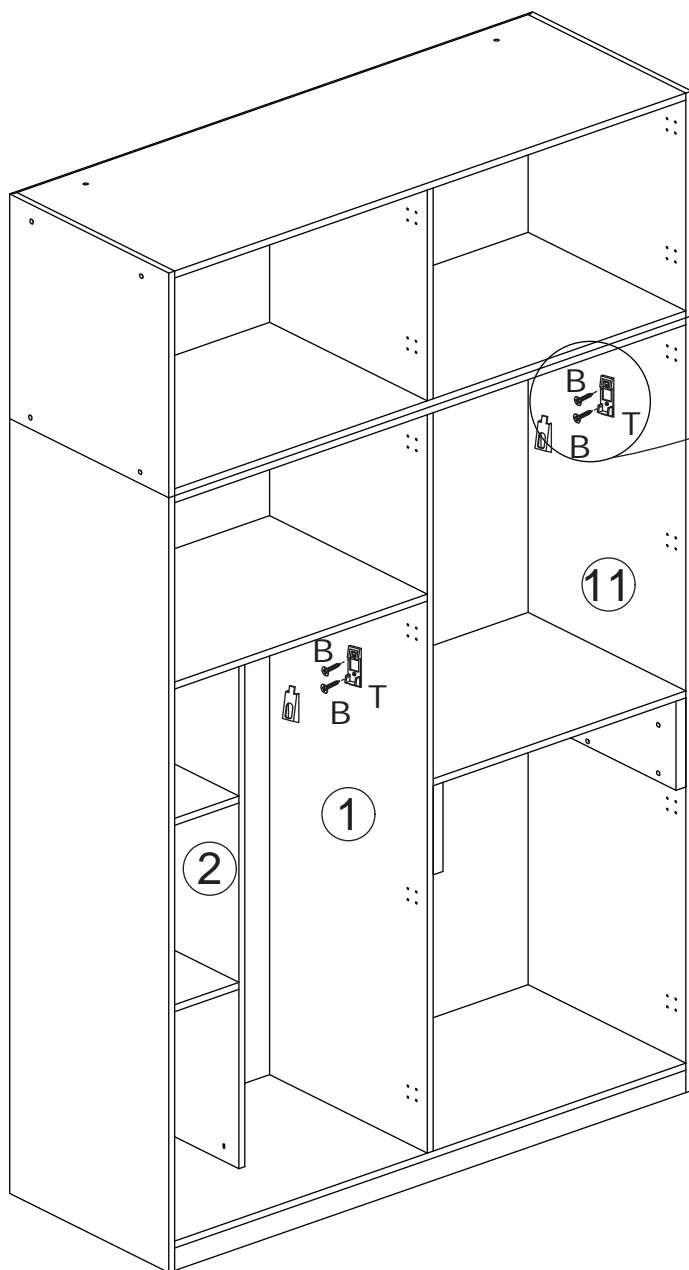
Fix board 6 to board 1 and 11 with screw(Q) as shown.





21

<p>B x 8</p>  <p>Ø 4 x 16 mm</p>	<p>T x 4</p> 	
---	--	---

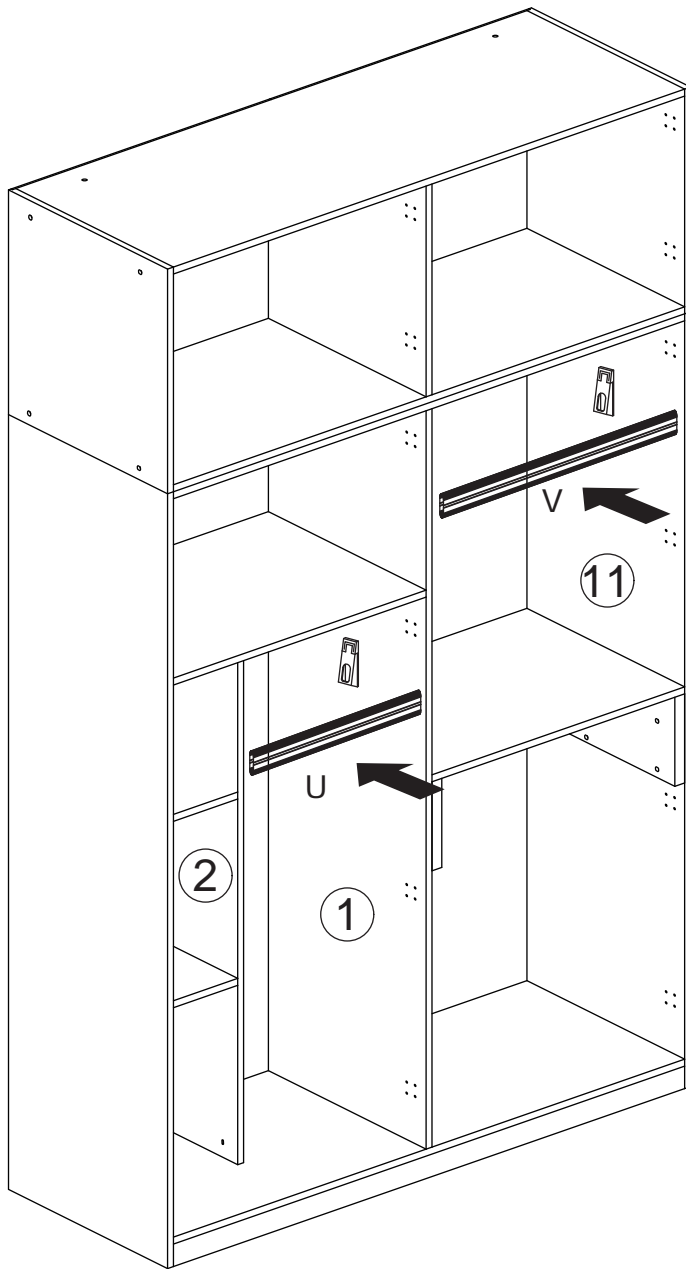
Fix part(T) to board 2, 1 and 11 with screw(B)

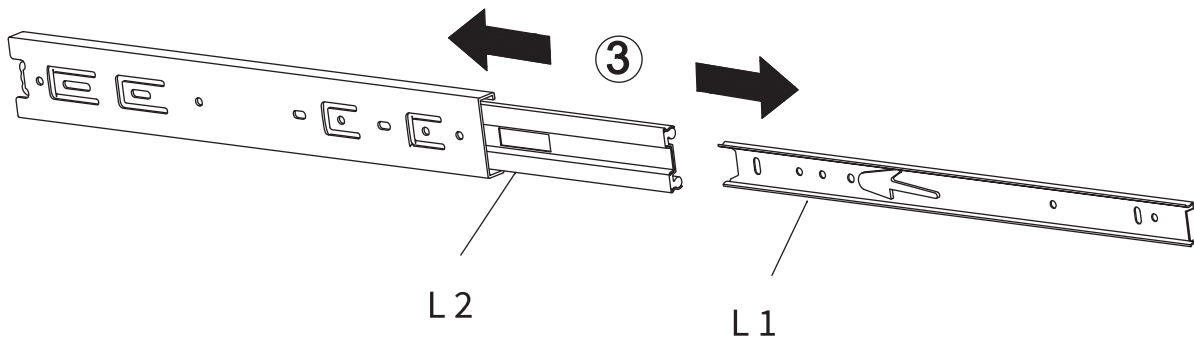
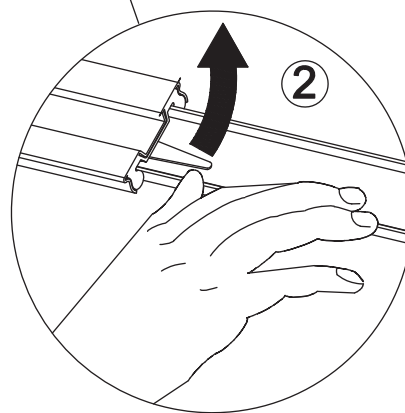
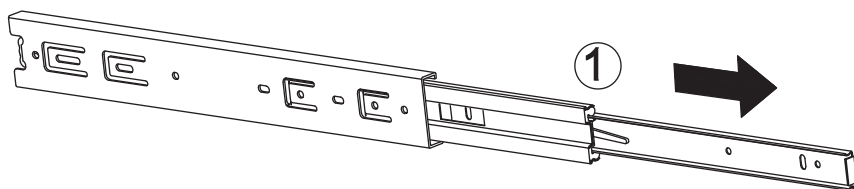
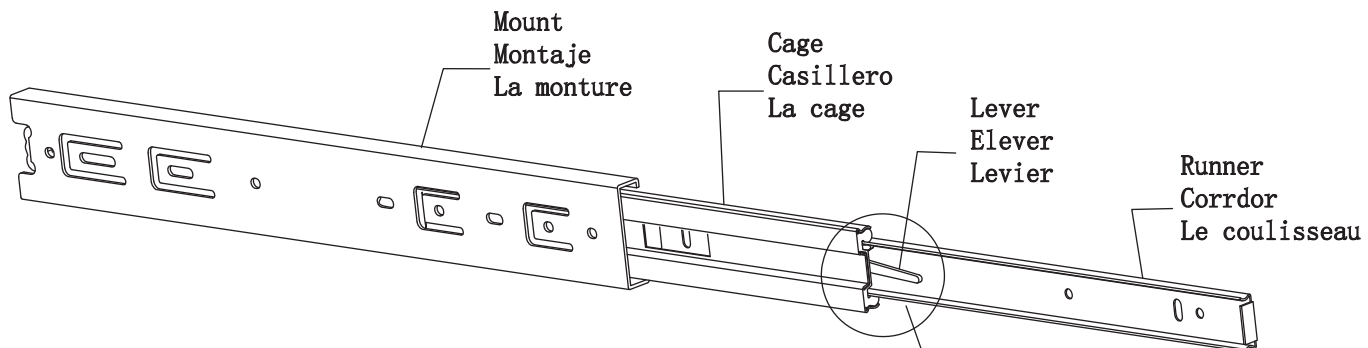


22

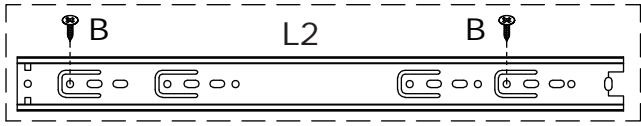
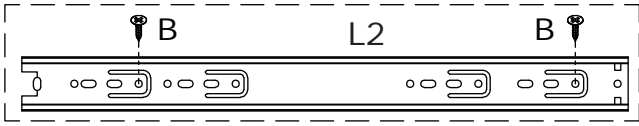
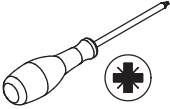
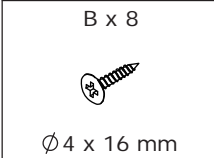
U x 1  371 mm	V x 1  767 mm	
--	--	--

Place clothing rod(U) and (V) in.

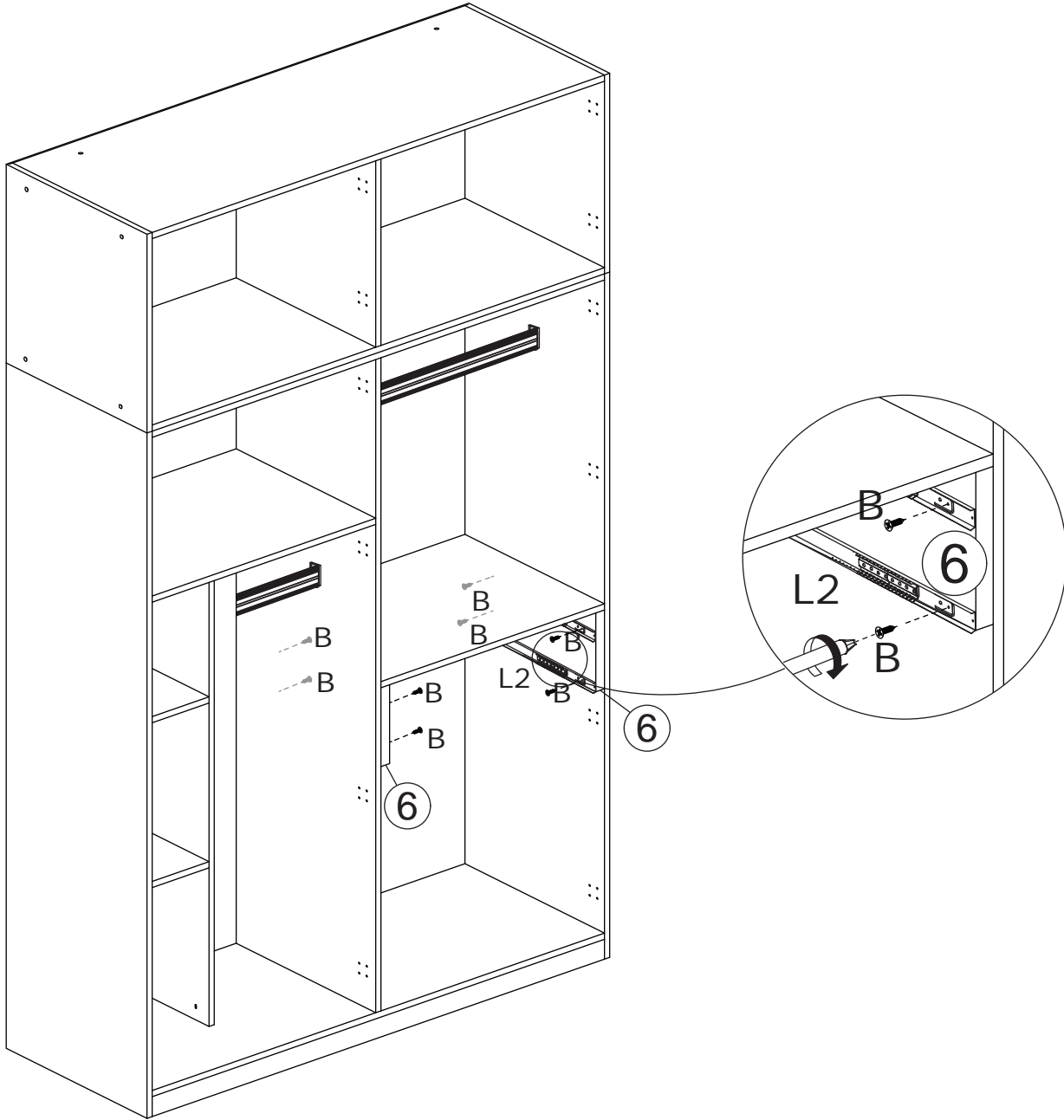




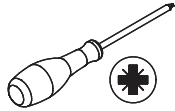
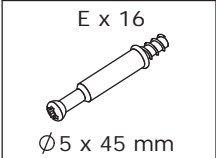
24



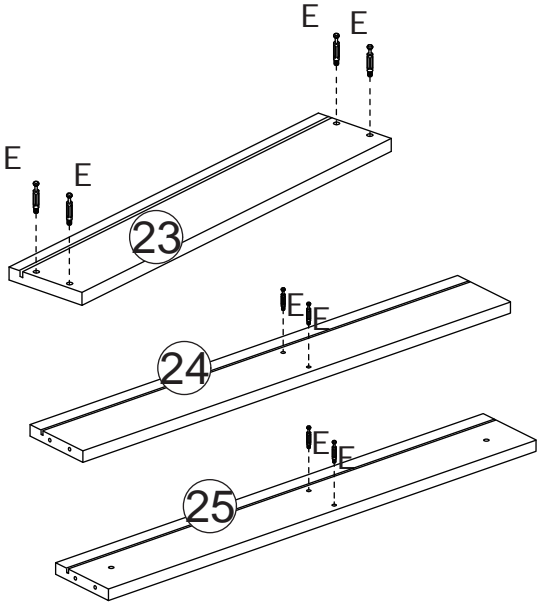
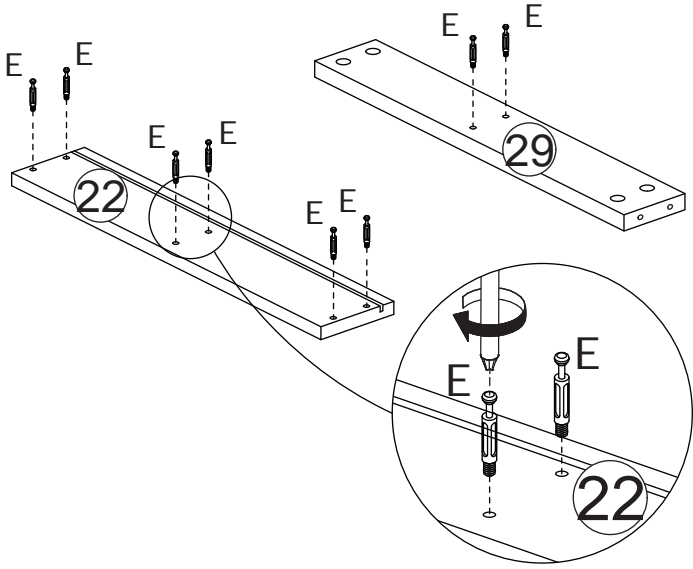
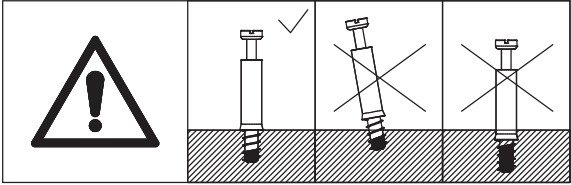
Separate glide into two parts at first.  
Fix slide rail(L2) to board 6 with screw(B) as shown.



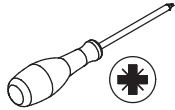
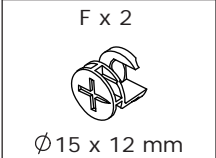
25



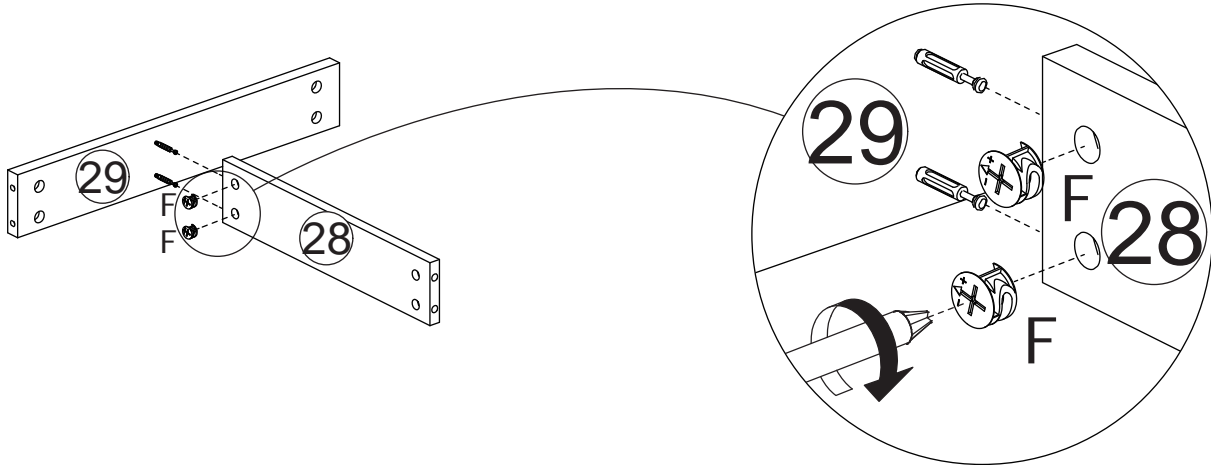
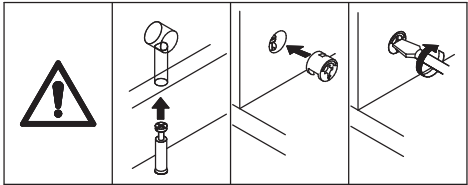
Screw eccentric rod(E) into board 22, 23, 24, 25 and 29 with a screwdriver at first.



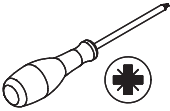
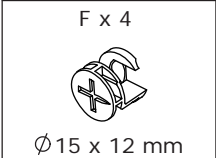
26



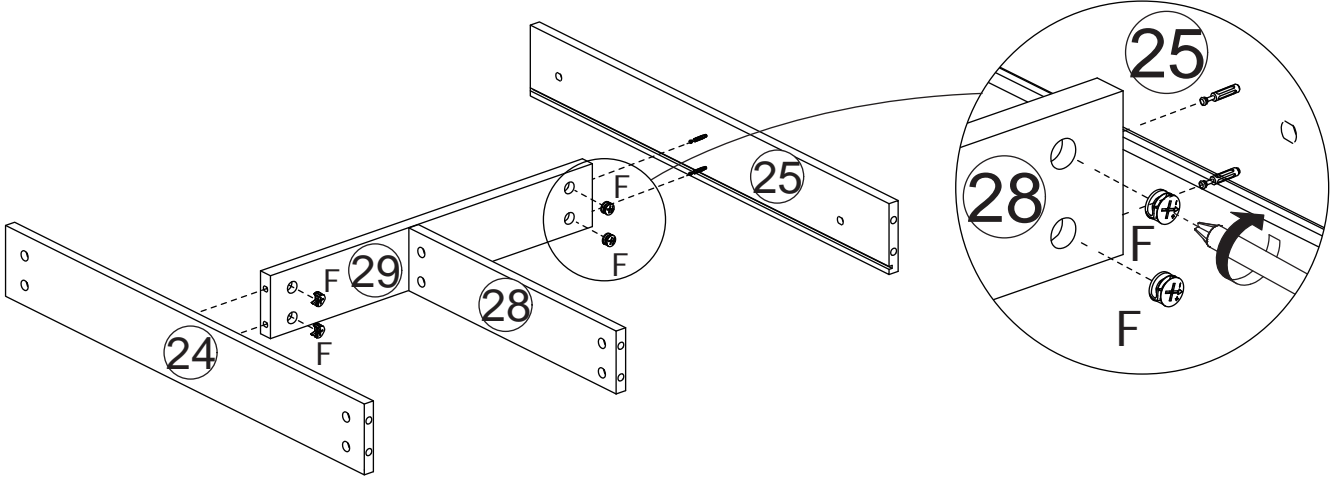
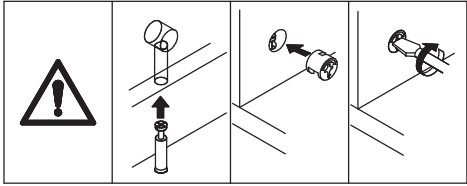
Attach board 28 to board 29, add cam lock(F) into and turn clockwise to tighten as shown.



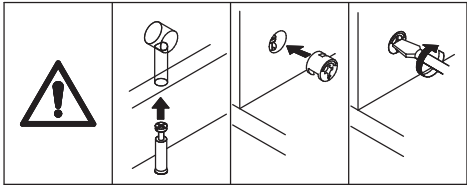
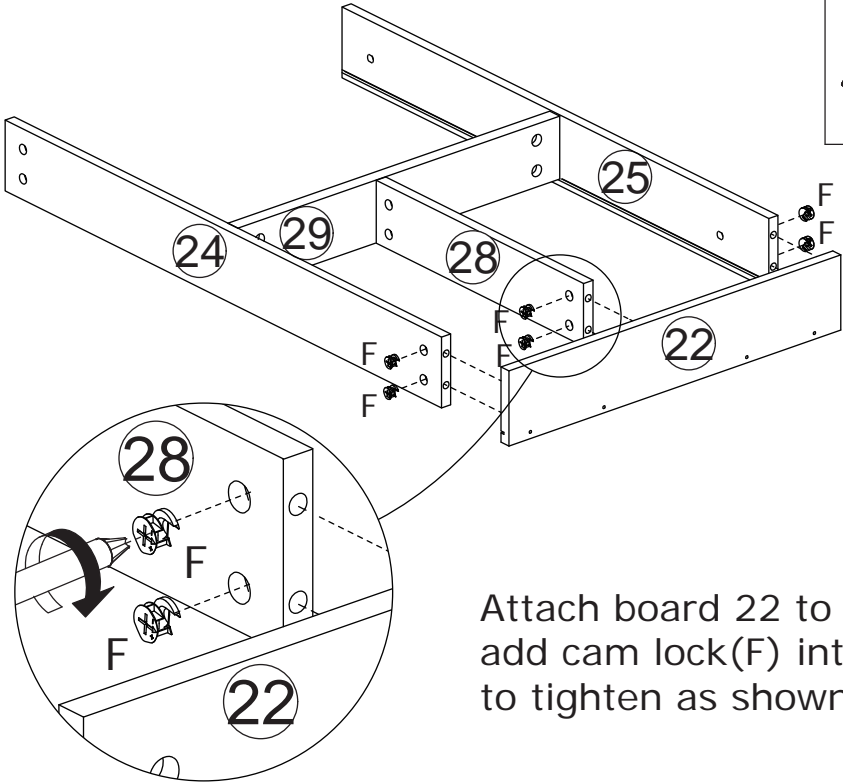
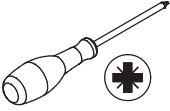
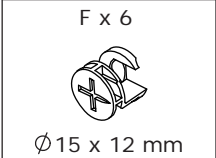
27



Connect board 24 and 25 to board 29, add cam lock(F) into and turn clockwise to tighten as shown.



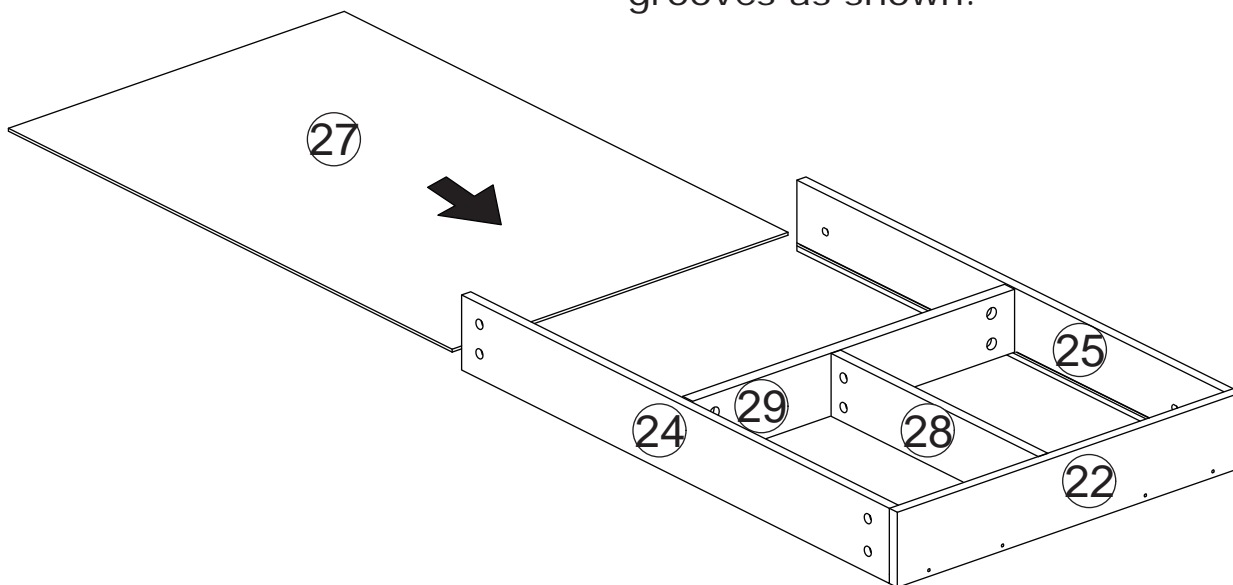
28



Attach board 22 to board 24, 28 and 25, add cam lock(F) into and turn clockwise to tighten as shown.

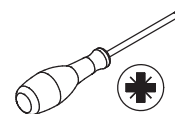
29

Insert board 27 along available grooves as shown.

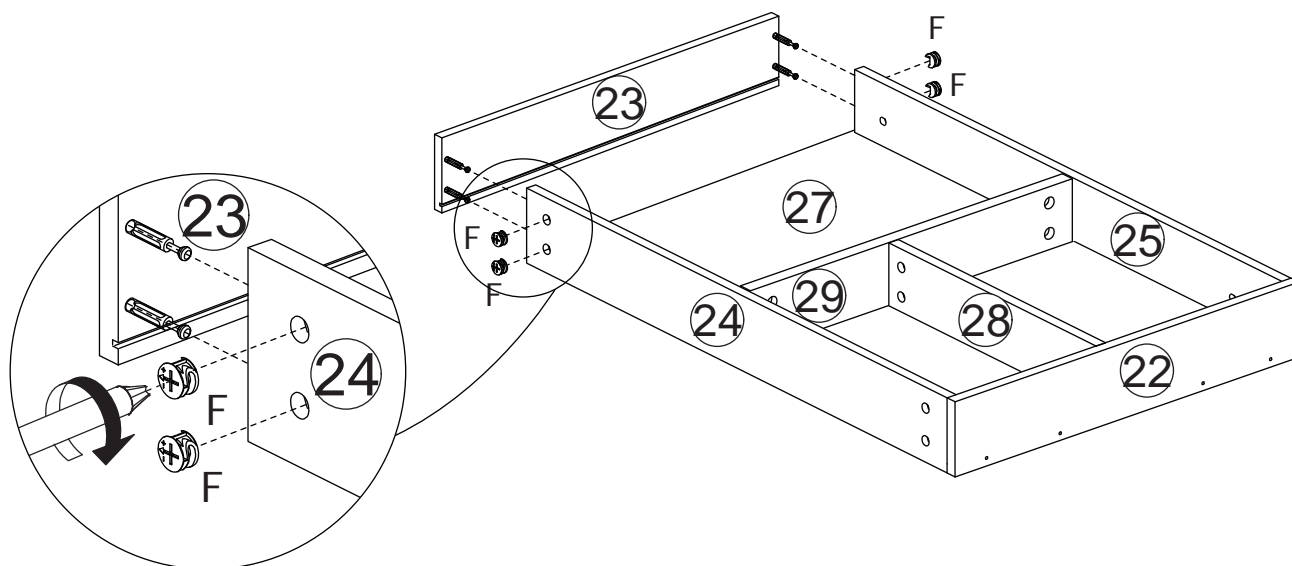
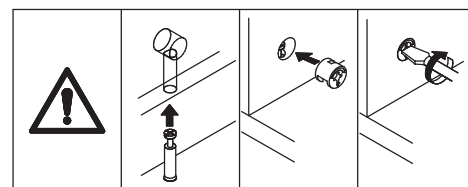


30

F x 4  
Ø 15 x 12 mm



Attach board 23 to board 24 and 25, add cam lock (F) into and turn clockwise to tighten as shown.

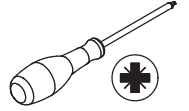


# 31

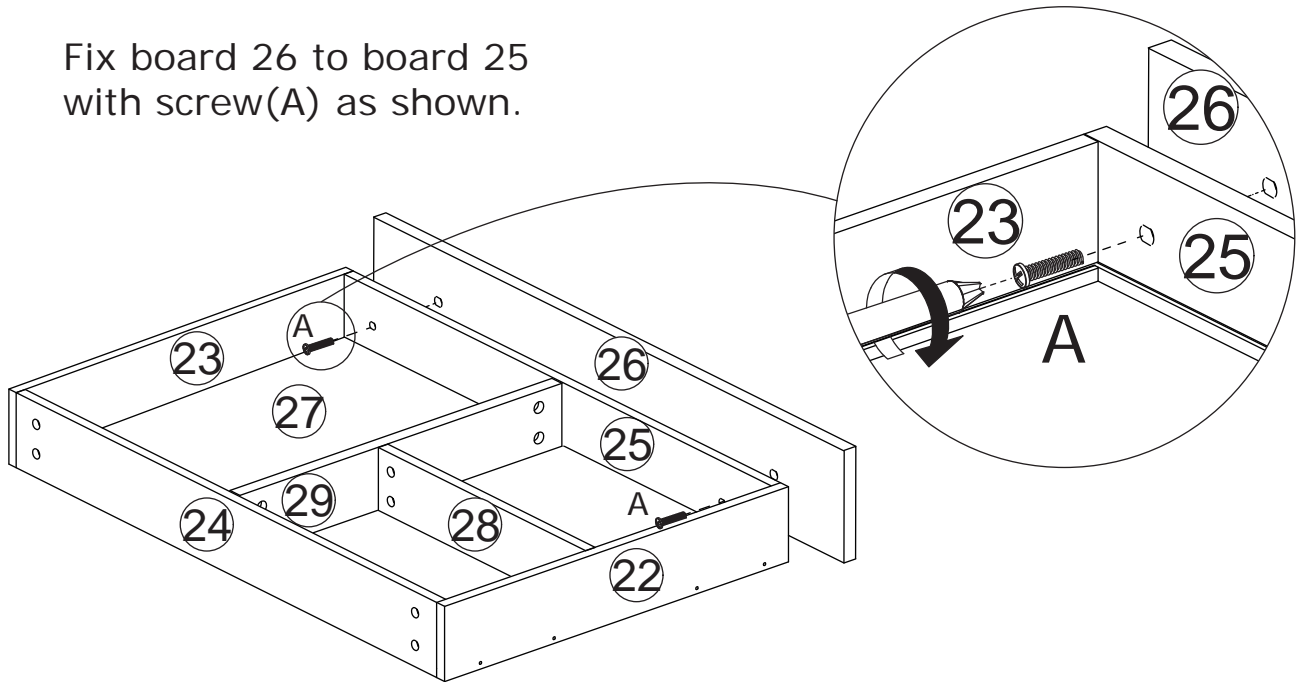
A x 2



Ø6 x 25 mm



Fix board 26 to board 25 with screw(A) as shown.



# 32

B x 4

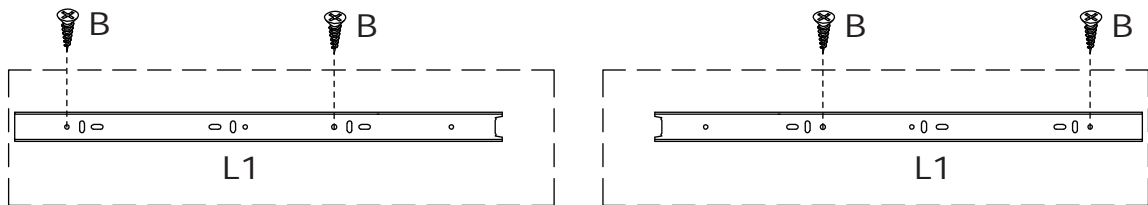
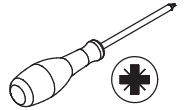


Ø4 x 16 mm

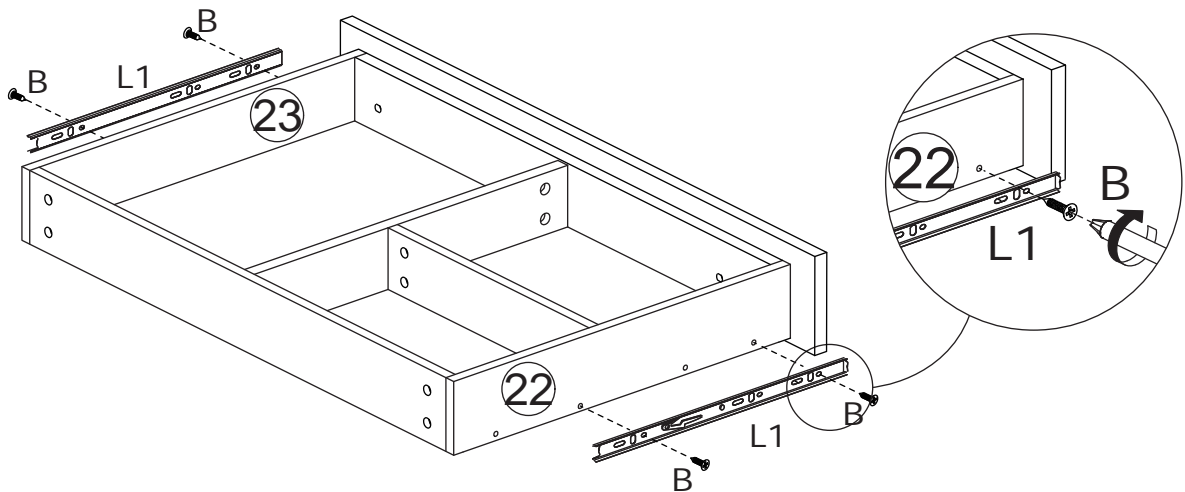
L x 2



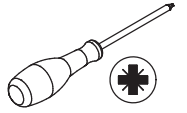
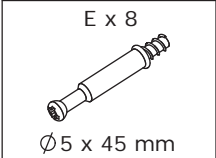
350 mm



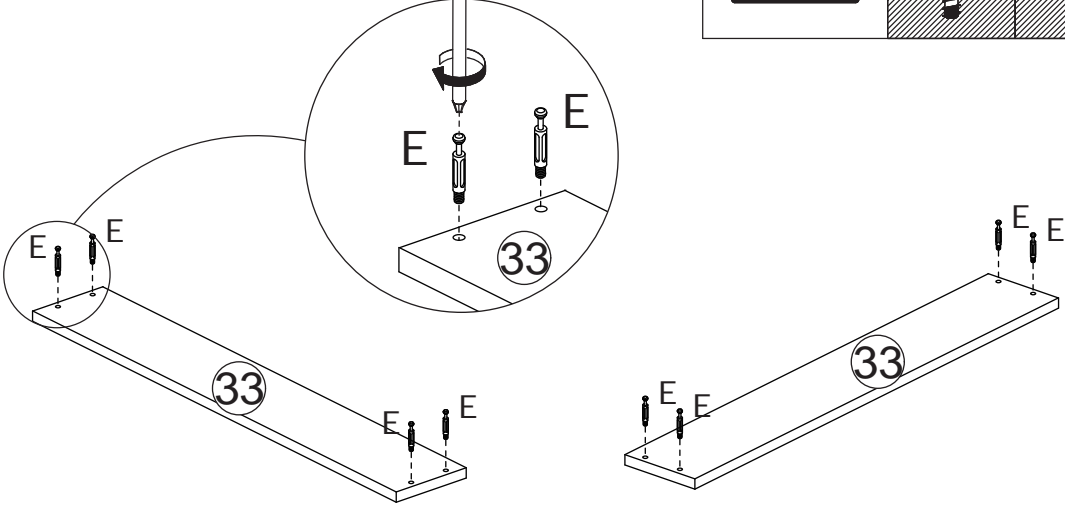
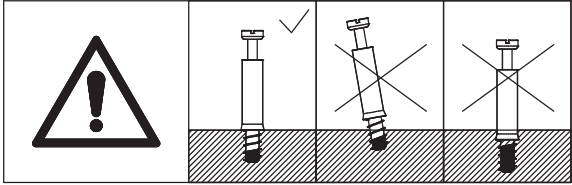
Fix runner(L1) to board 23 and 22 with screw(B) as shown.



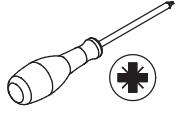
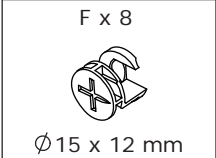
# 33



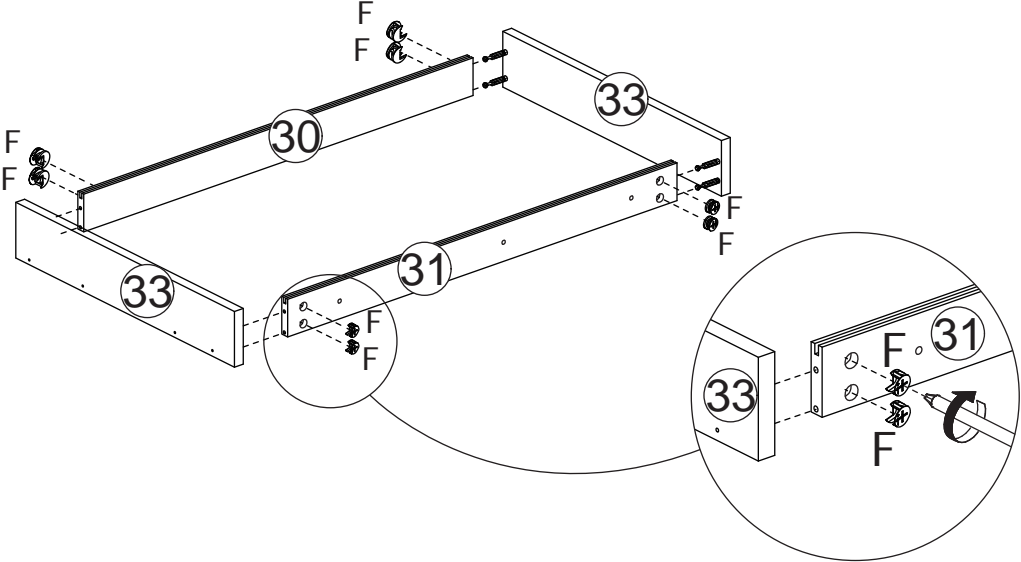
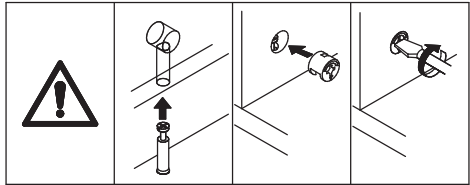
Screw eccentric rod(E) into board 33 at first.



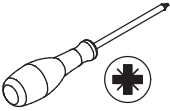
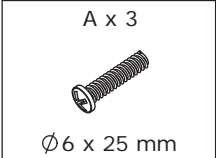
# 34



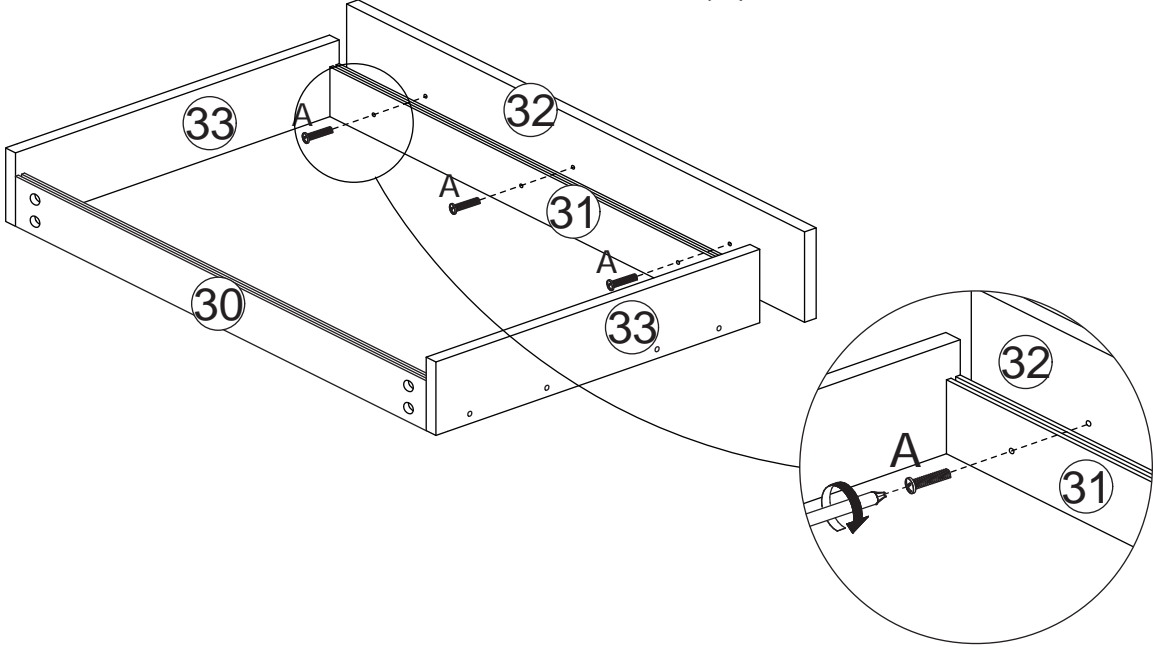
Connect board 30 and 31 to board 33, add cam lock(F) into and turn clockwise to tighten as shown.



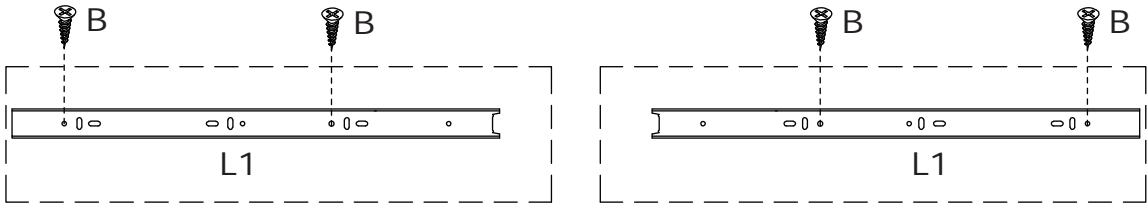
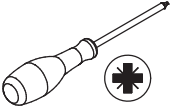
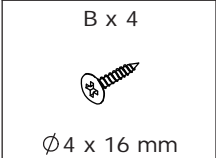
35



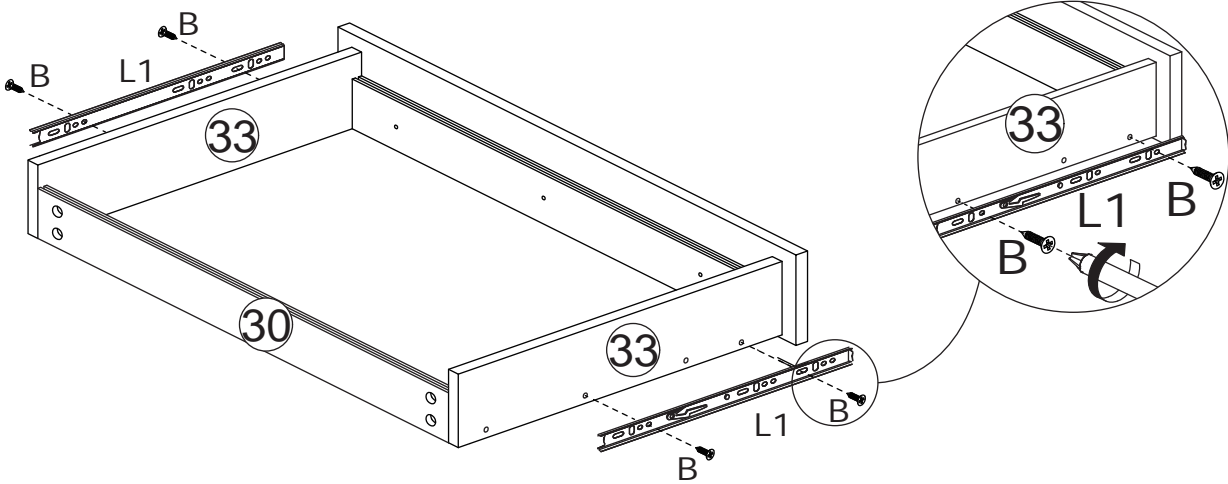
Fix board 32 to board 31 with screw(A) as shown.



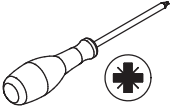
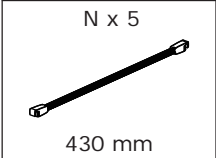
36



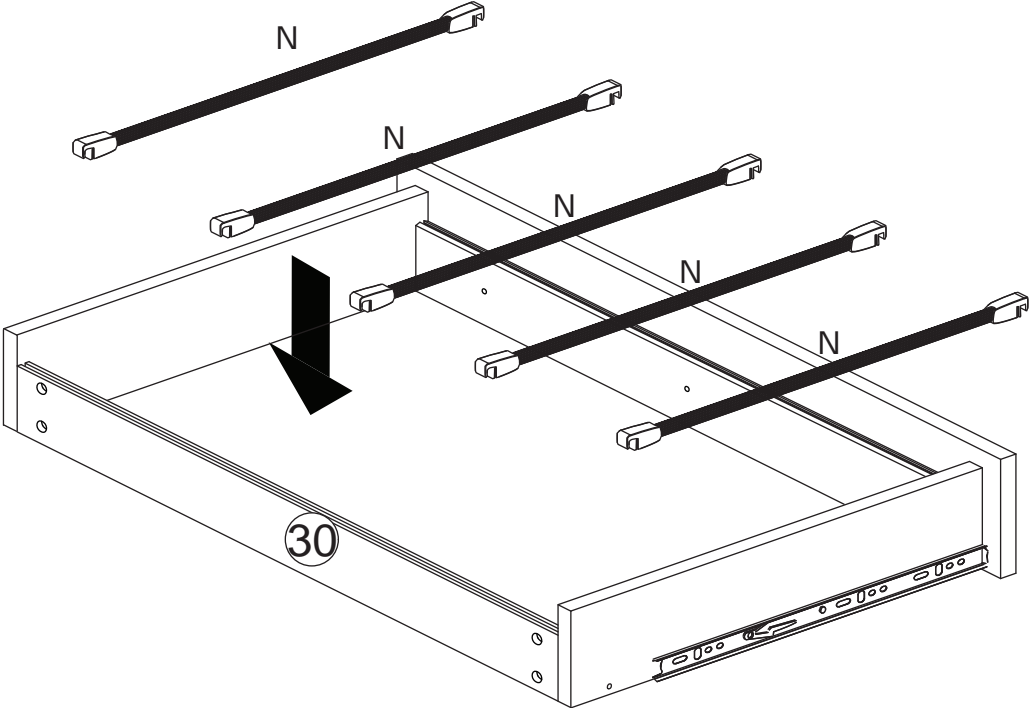
Fix runner(L1) to board 33 with screw(B) as shown.



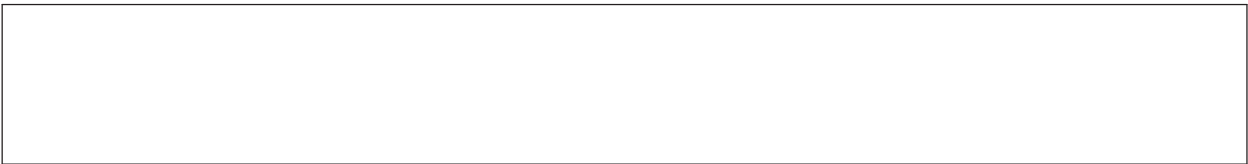
37



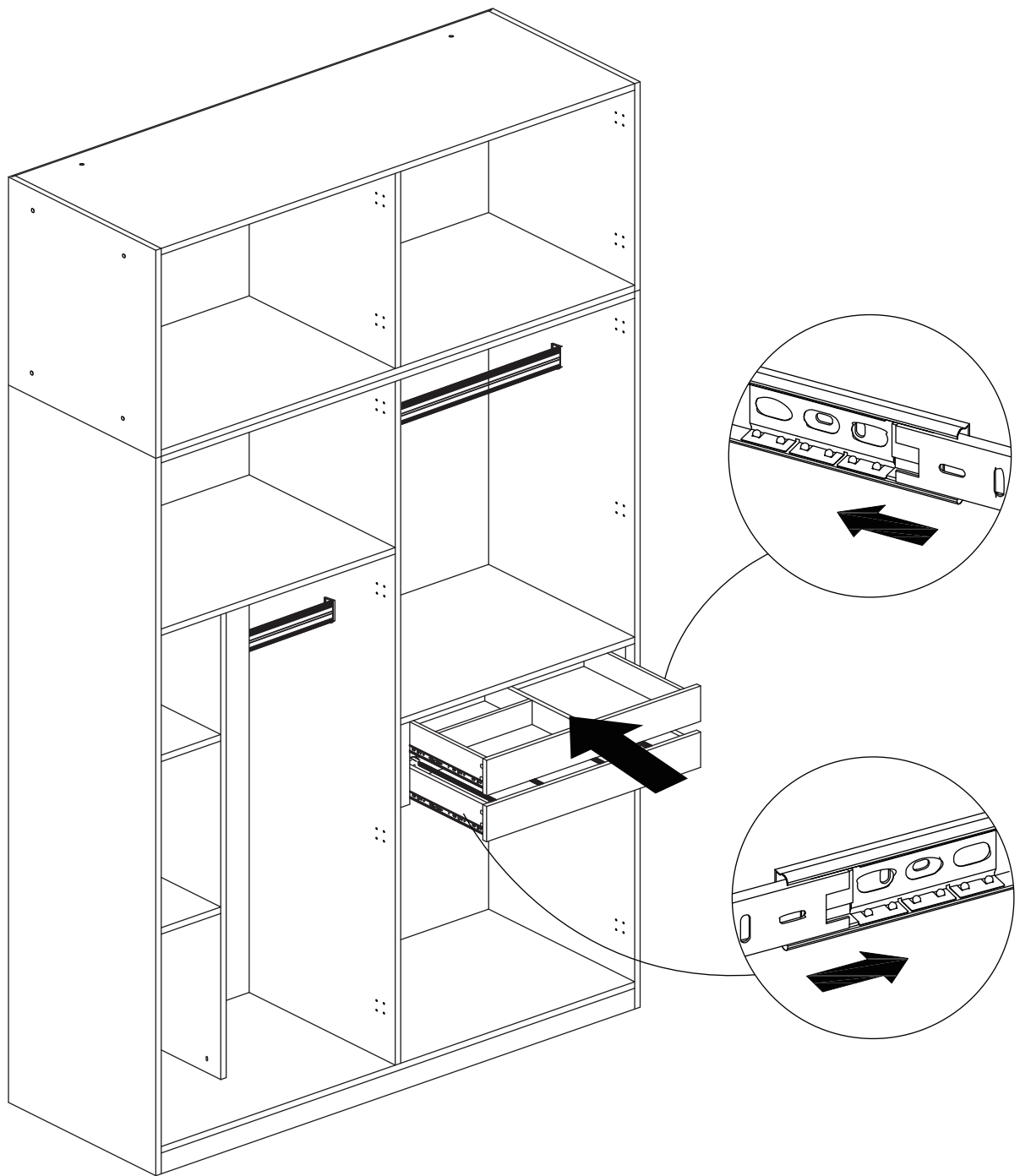
Embed part(N) into slots of board 30 as shown.



38



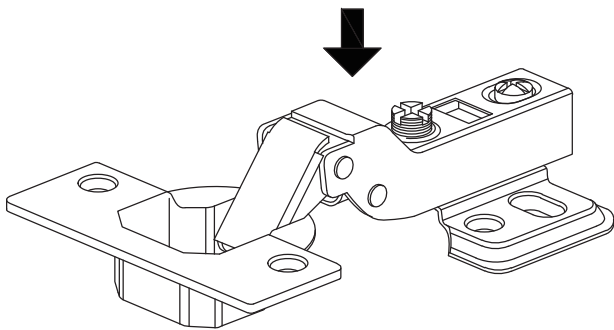
Align rails, insert drawers in.



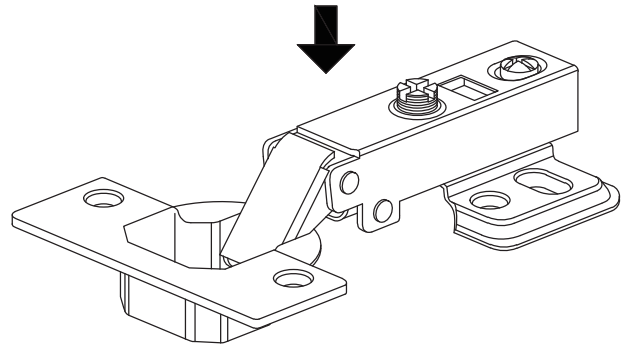


Pay attention to the difference between the middle parts of the two types of door hinges.

The full coverage door hinges(K) are used on the outermost door plates, and the small curved door hinges(J) are used on the door panel in the middle of the cabinet


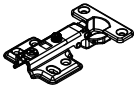

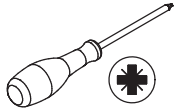


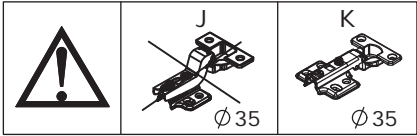
J



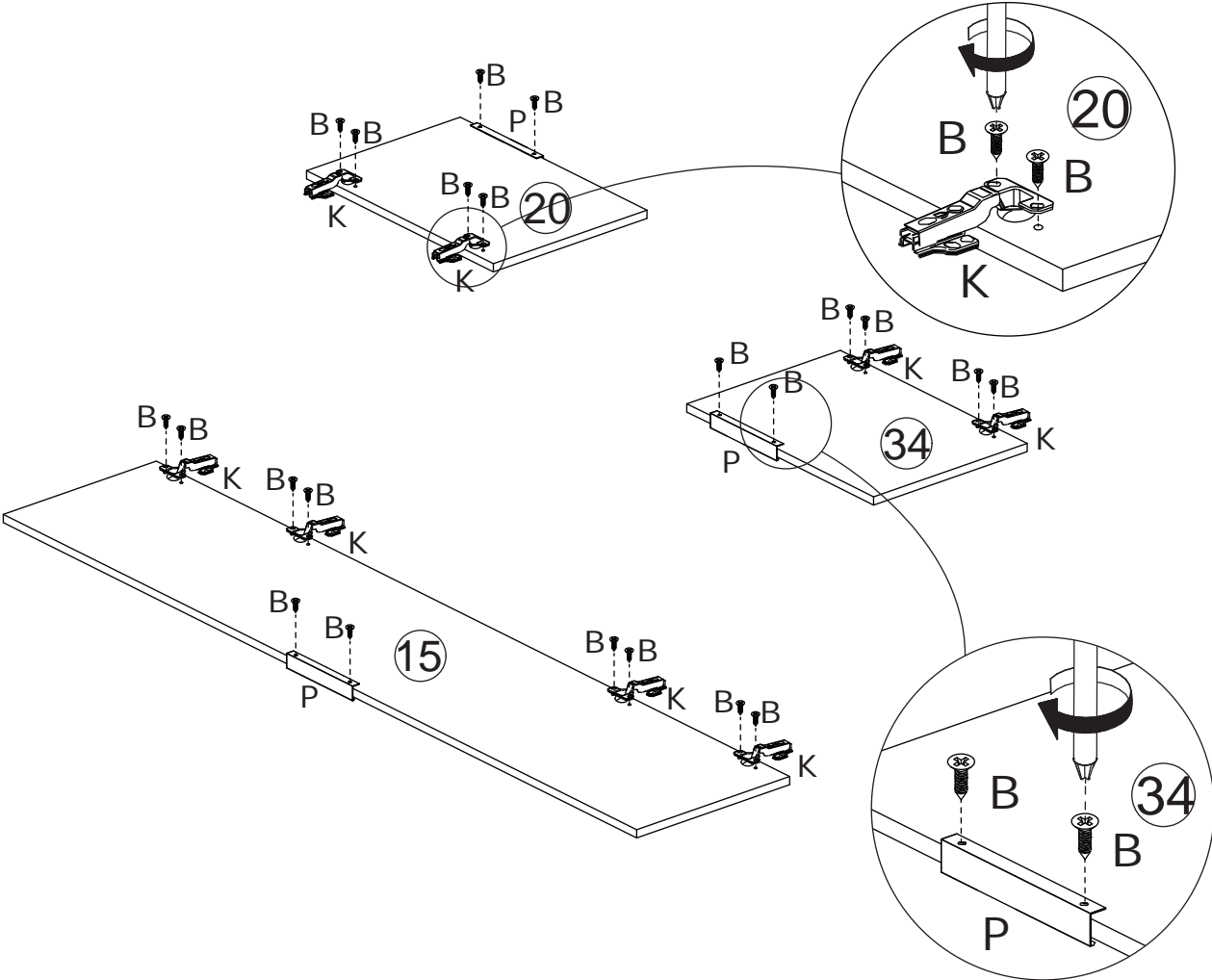
K

40


<p>B x 22</p>  <p>Ø 4 x 16 mm</p>	<p>K x 8</p>  <p>Ø 35 mm</p>	<p>P x 3</p>  <p>200 mm</p>	
--	---	--	---

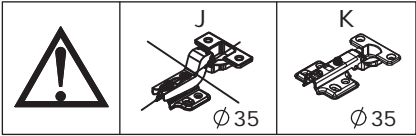
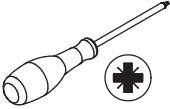


Fix hinge(K) to board 15,34 and 20 with screw(B) as shown.  
Fix handle(P) with screw(B) as shown.

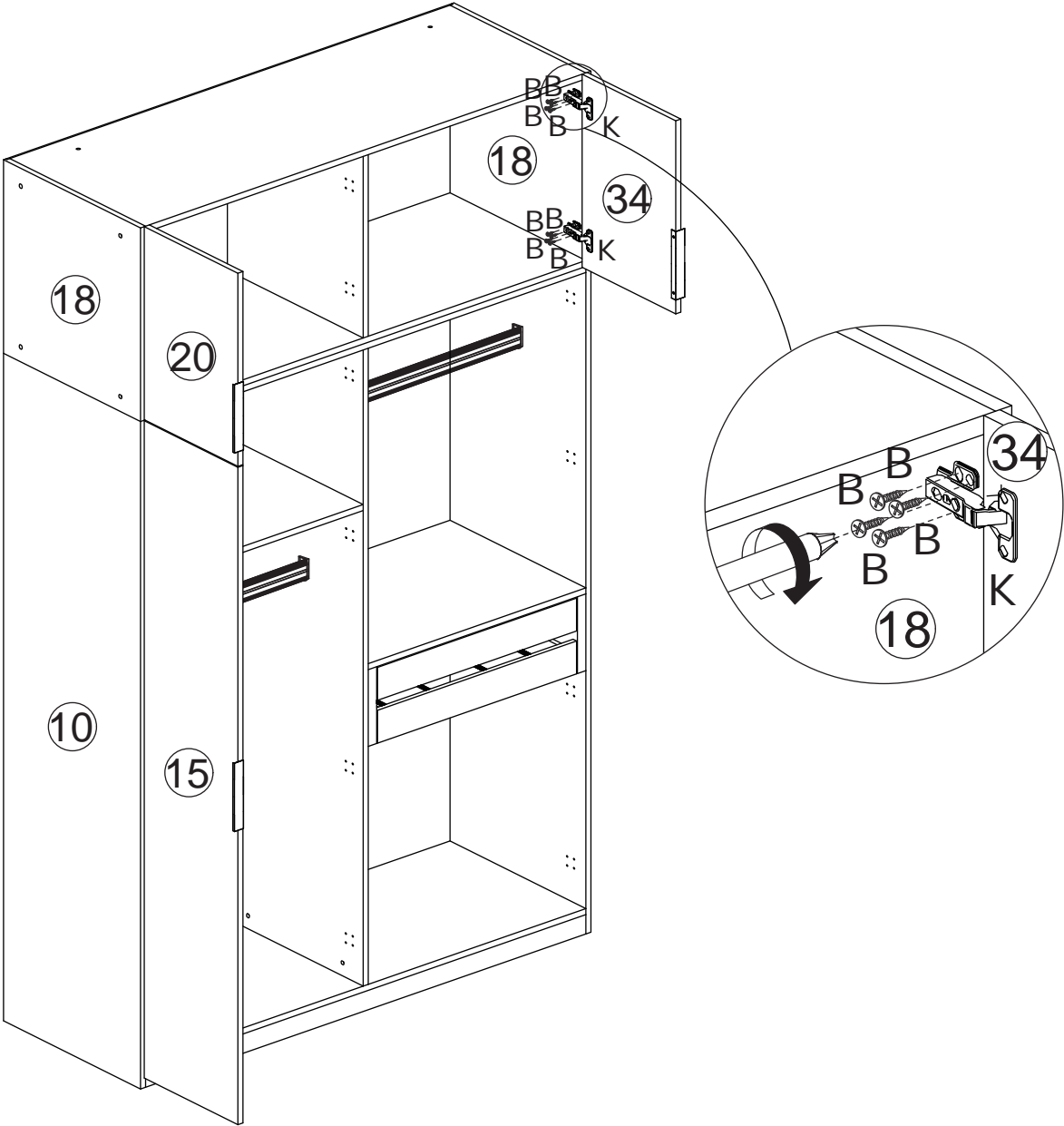


41




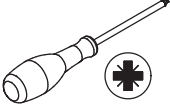
B x 32  
  
Ø 4 x 16 mm






Assemble door 20,34 to board 18; door 15 to board 10 by fixing hinge(K) with screw(B) as shown.

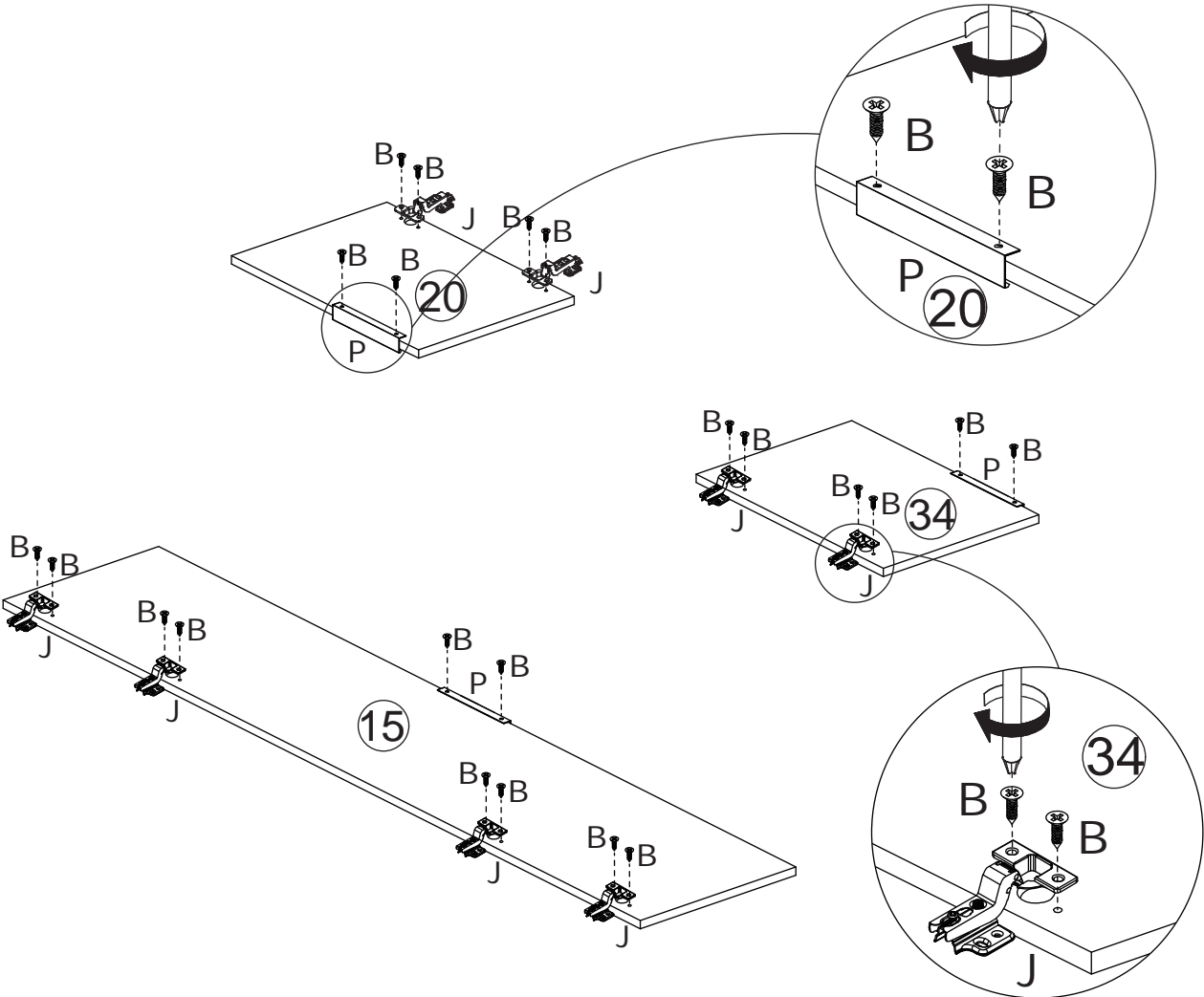


42


<p>B x 22  Ø4 x 16 mm</p>	<p>J x 8  Ø35 mm</p>	<p>P x 3  200 mm</p>	
--	---	---	---

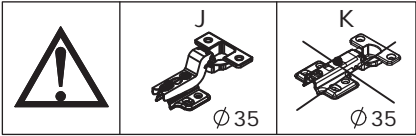
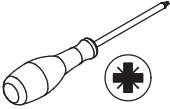
	<p>J  Ø35</p>	<p>K  Ø35</p>
---	--	--

Fix hinge(J) to ANOTHER board 15,34 and 20 with screw(B) as shown.  
Fix handle(P) with screw(B) as shown.

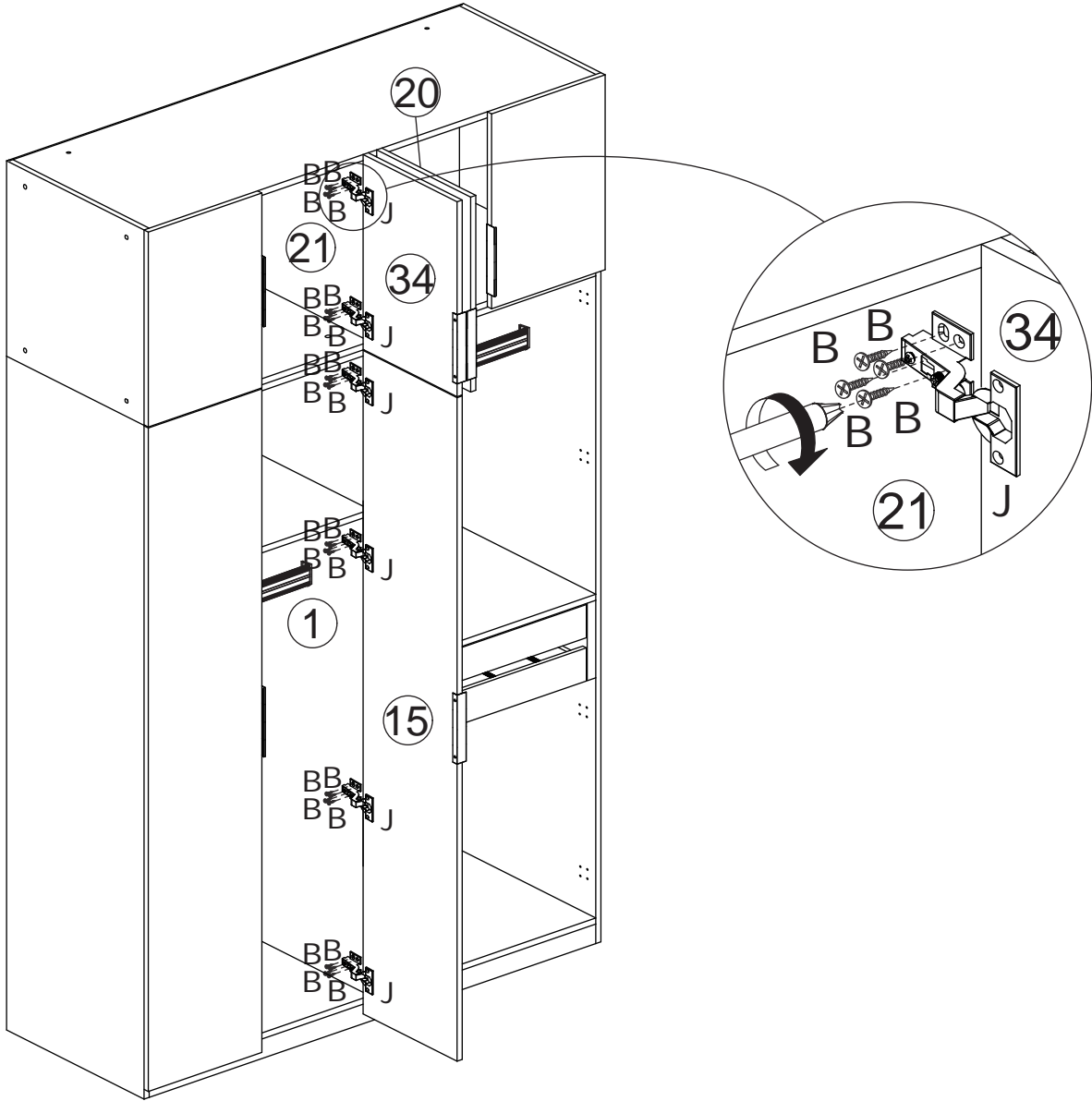


43

B x 32  
  
Ø 4 x 16 mm



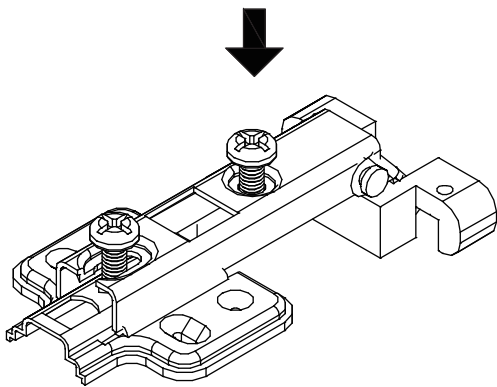
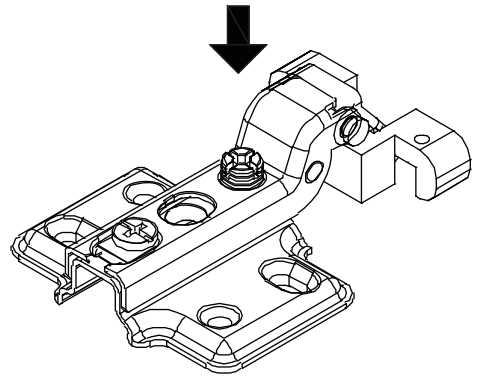
Assemble door 20,34 to board 21; door 15 to board 1 by fixing hinge(J) with screw(B) as shown.



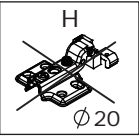
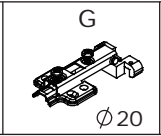
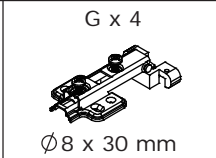
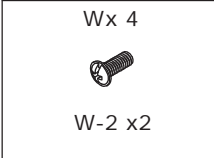


Pay attention to the difference between the middle parts of the two types of door hinges.

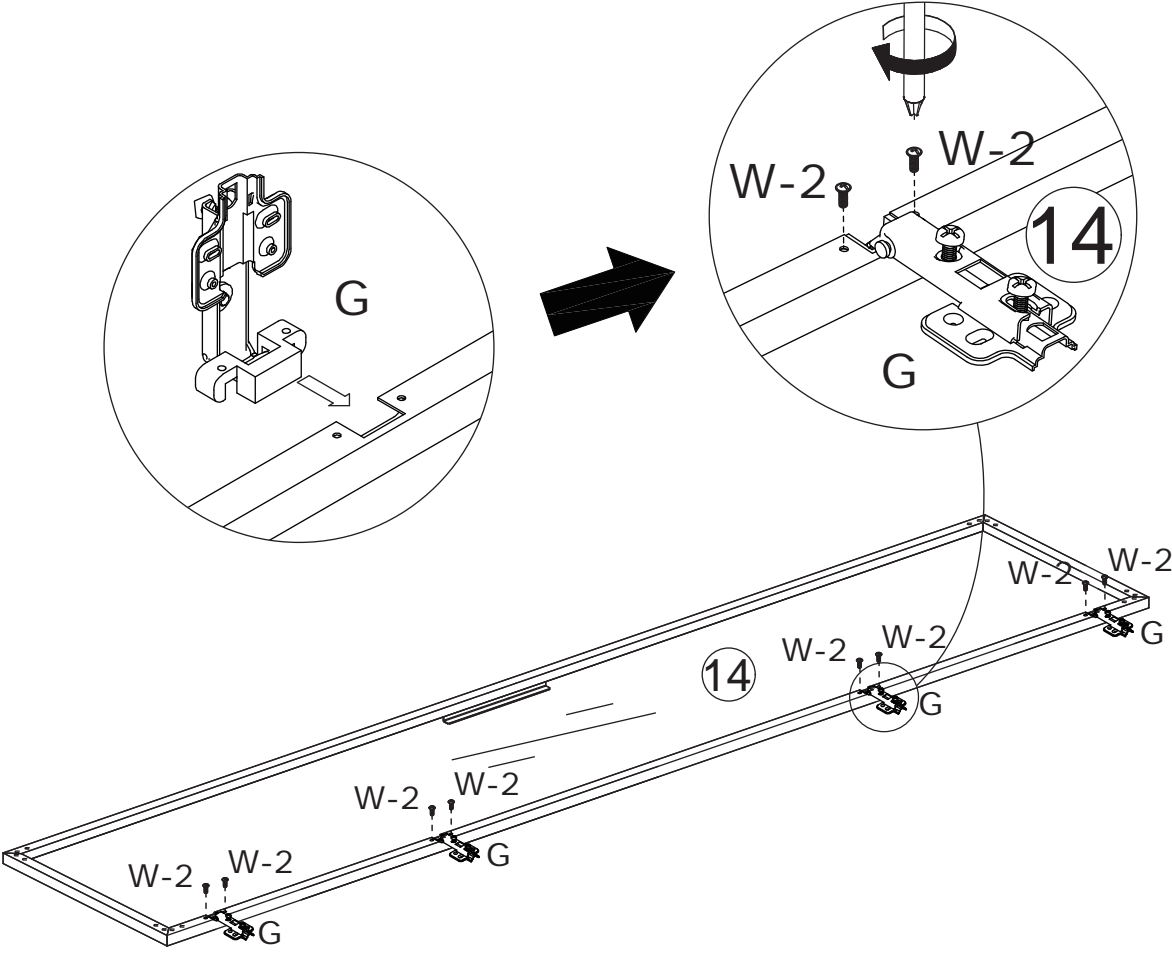
The full coverage door hinges(G) are used on the outermost door plates, and the small curved door hinges(H) are used on the door panel in the middle of the cabinet.

**G****H**

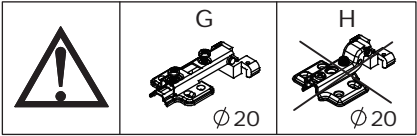
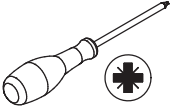
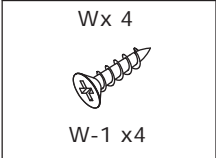
45



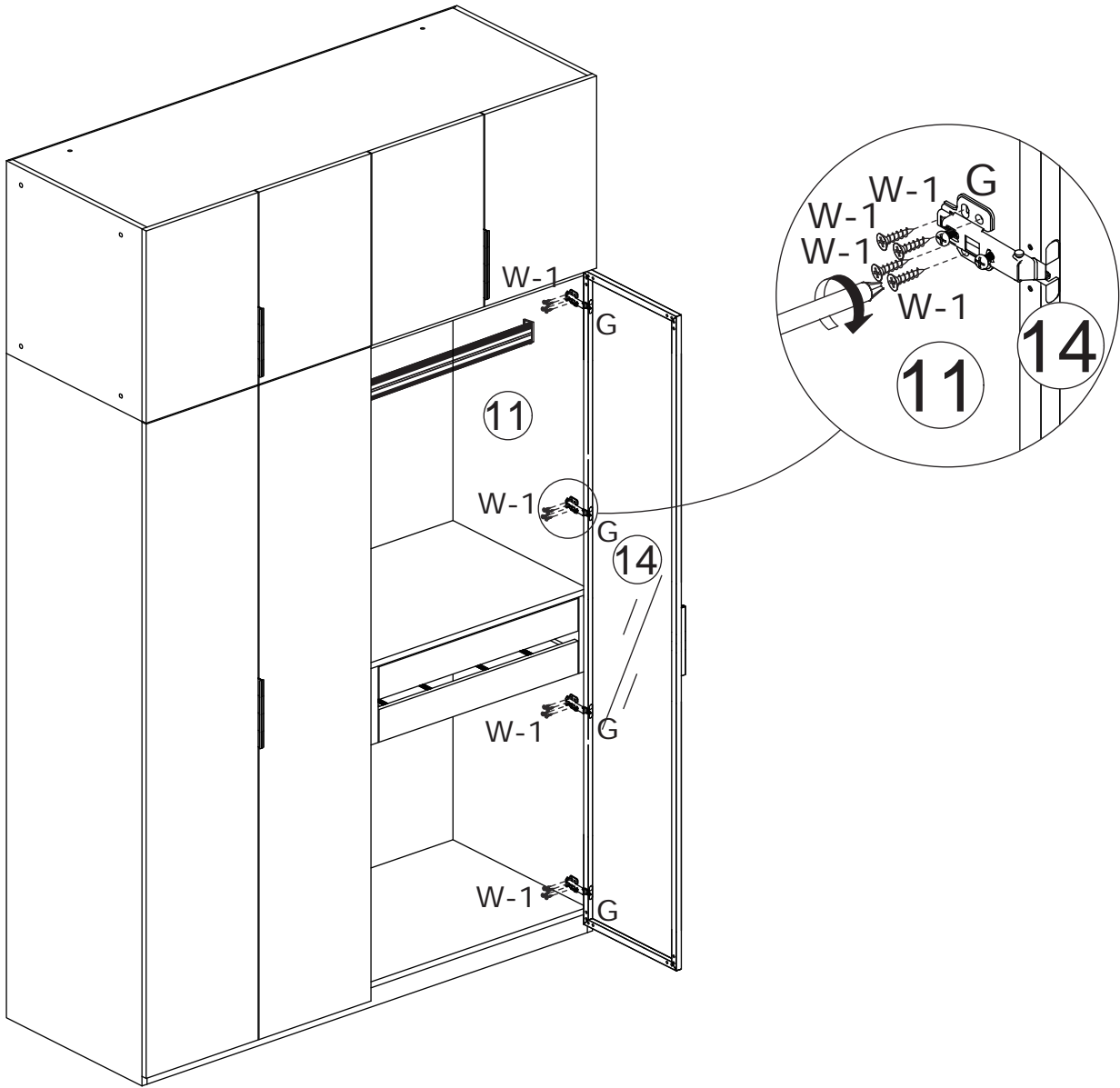
Fix hinge(G) to board 14 with screw(W-2) as shown.



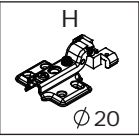
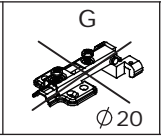
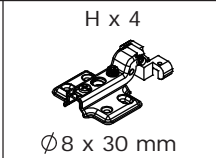
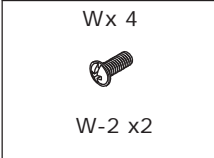
46



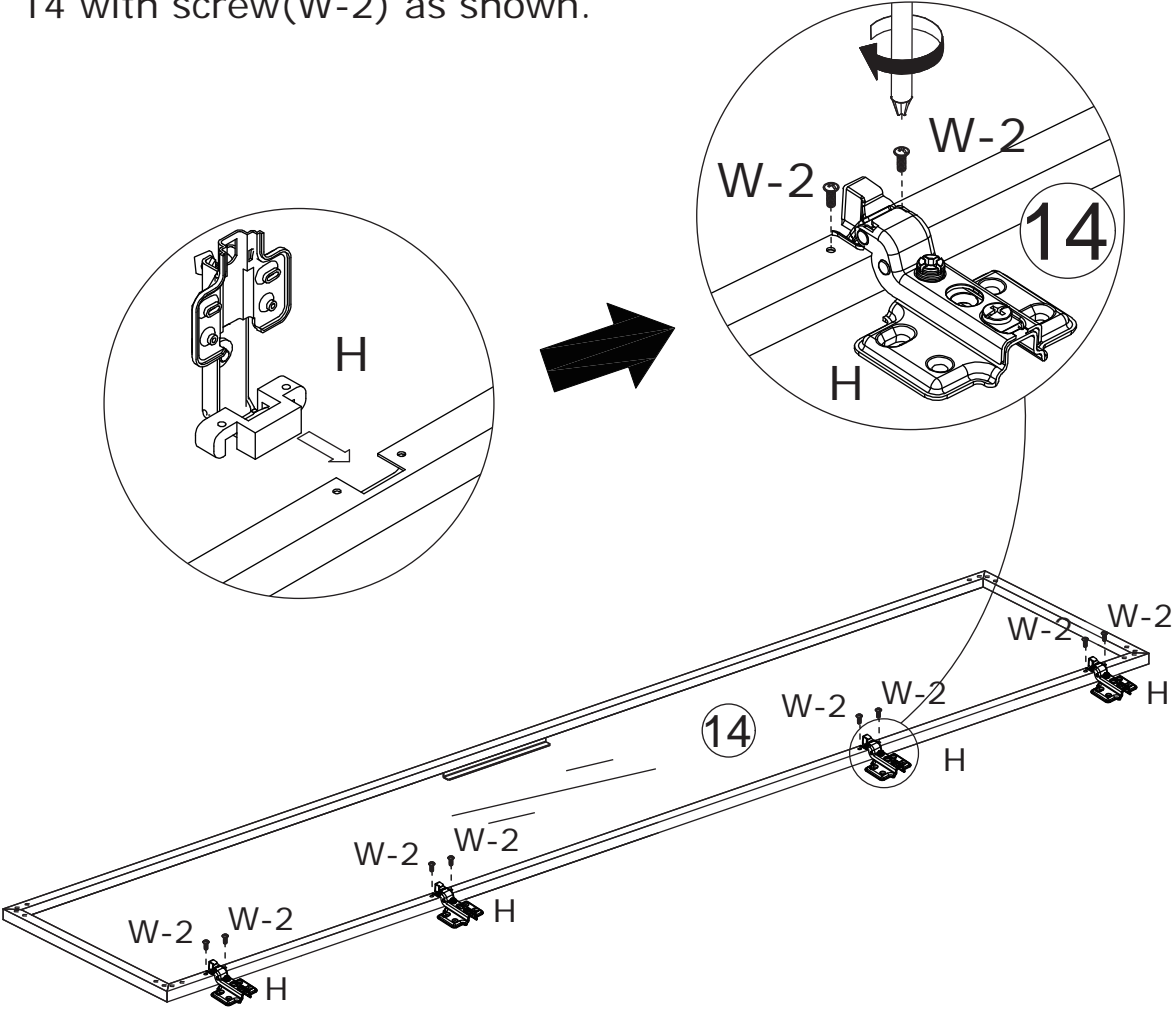
Assemble door 14 to board 11 by fixing hinge(G) with screw(W-1) as shown.



47



Fix hinge(H) to ANOTHER board 14 with screw(W-2) as shown.

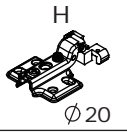
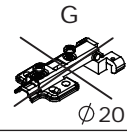
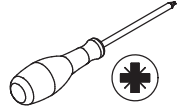


48

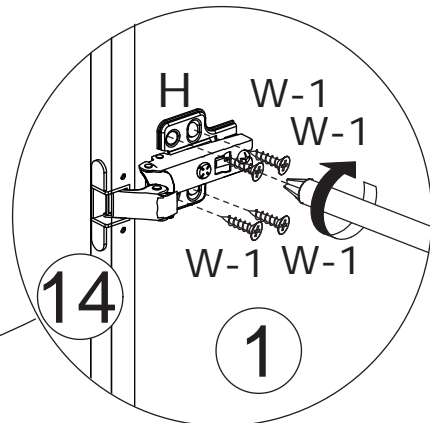
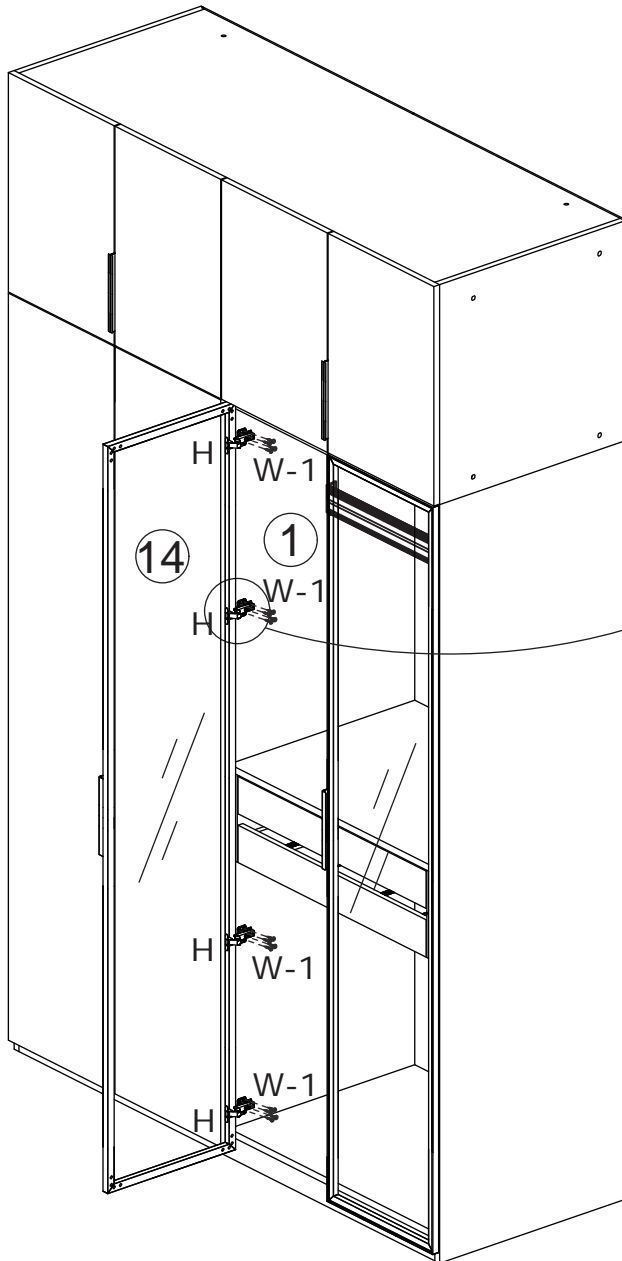
W x 4



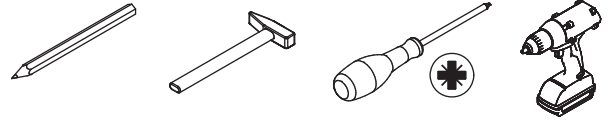
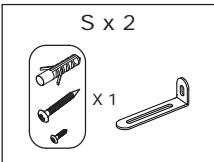
W-1 x 4



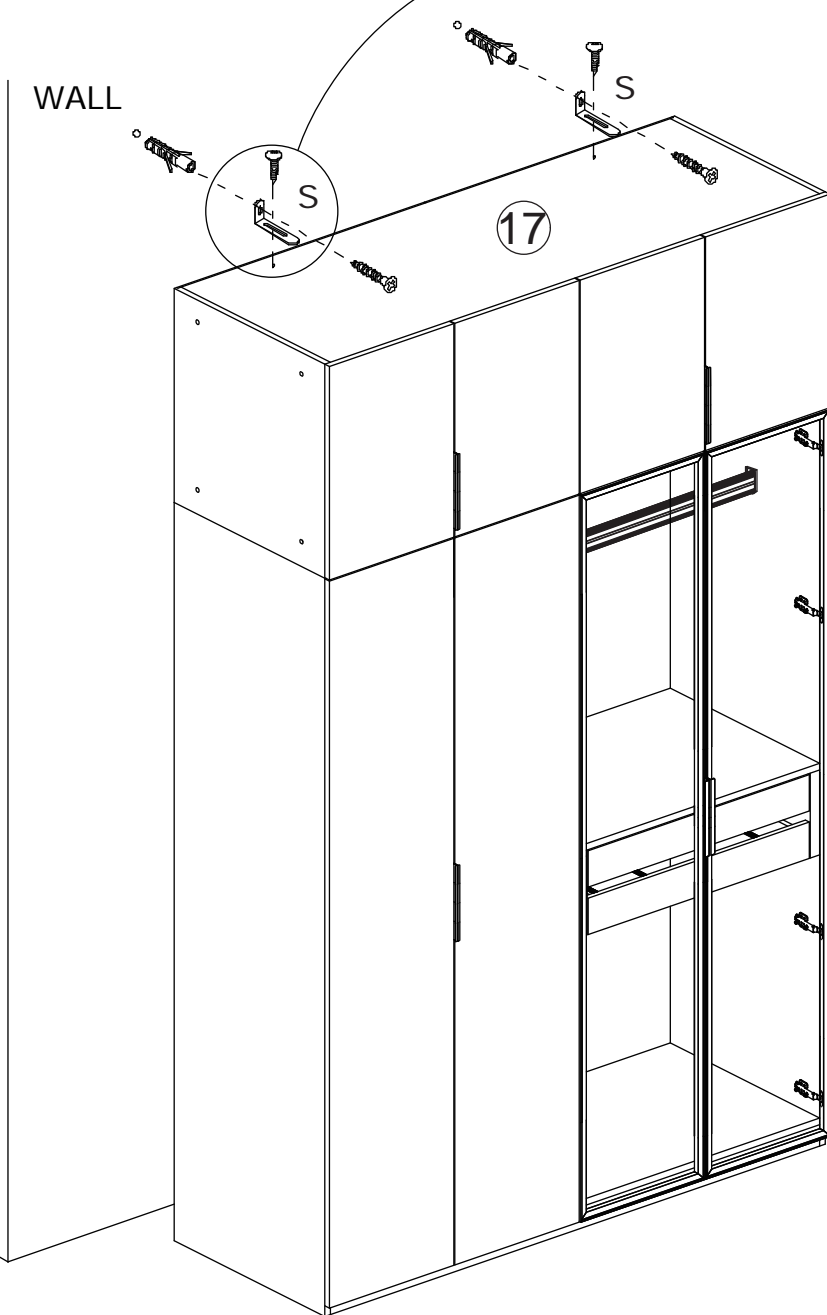
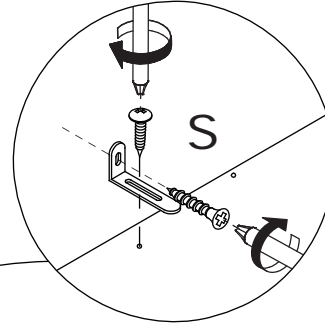
Assemble door 14 to board 1 by fixing hinge(H) with screw(W-1) as shown.

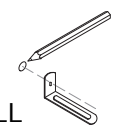

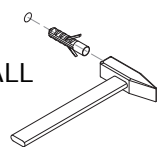
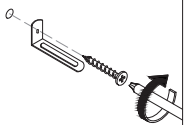


49



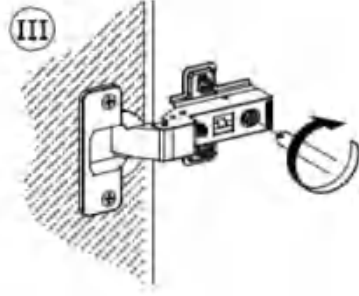
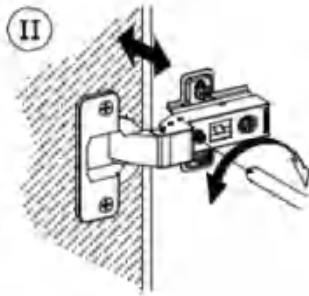
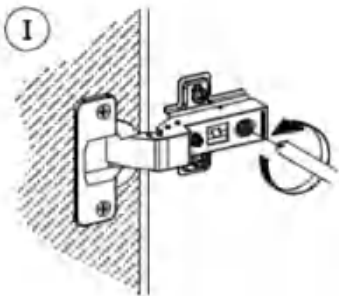
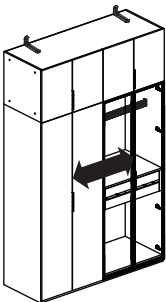
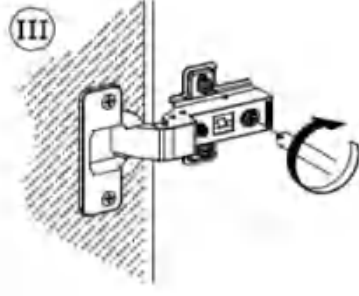
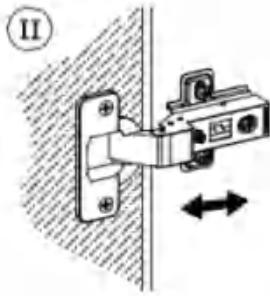
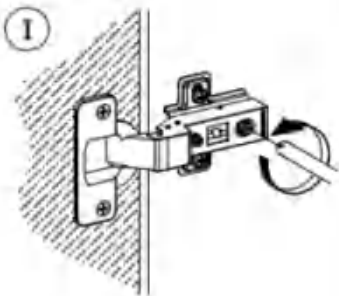
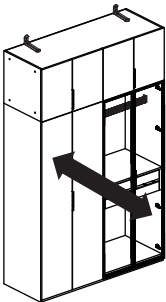
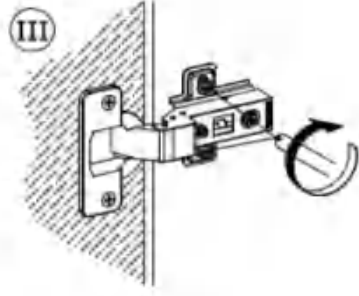
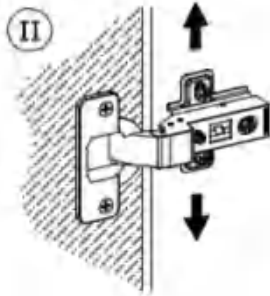
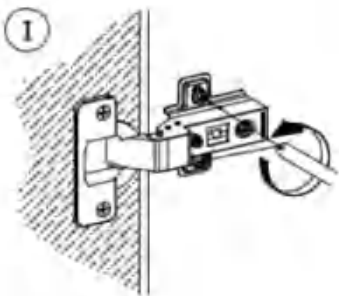
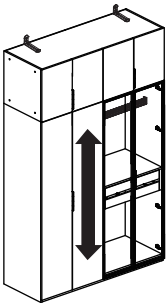
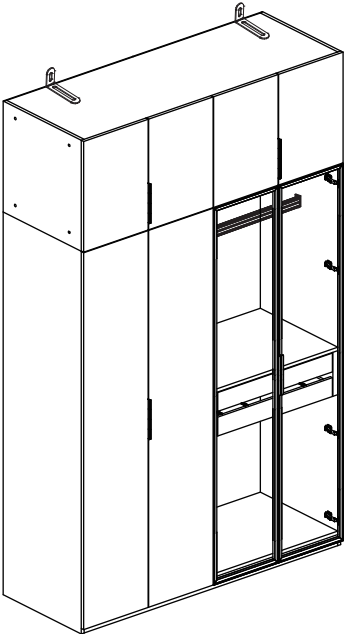
Install anti-tipping device as shown.



1.   
WALL
2. 
3.   
WALL
4. 

If doors are still not aligned if the hinges are properly correctly, please watch the video.

<https://youtu.be/n0Lb36SoODM>



# WARRANTY

## WARRANTY CLAIMS

- There is a 30-day warranty for broken furniture or any other problems that do not work properly. The warranty will start from the date of purchase which must be verified by proof of purchase.
- Before making a claim, we may be able to answer your query, simply call us. Please leave your purchase order number, along with some details of the problem, if you want a replacement part. We will arrange within 48 hours. If there is out of stock, we will reply with a shipping date.
- The product must be used in accordance with the instructions provided. For health reasons.
- For other reasons, if the furniture needs to be returned, it must be cleaned and dried and operated within 30 days of receipt.

## Type of Warranty Claim

- Failure to follow the furniture instructions will invalidate the warranty. Attention please.
- Does not include damage during installation, but includes damage during transportation.

## Scope of responsibility

- Shall not bear any responsibility for misuse or user damage and / or loss of parts during the installation of furniture.
- After using, the damage and scratches of the furniture are not covered by the warranty.

## The Warranty Relates to All Bought in The Us and Covers The Following Areas

- Sheet parts: 1 month from the date of purchase.
- Electrical parts: 1 month from the date of purchase.

# RETURNS

## CHANGED YOUR MIND AND NEED TO RETURN YOU ITEM?

### PLEASE FOLLOW THE BELOW INSTRUCTIONS:

- If you have purchased and have simply changed your mind, follow the retailer's instructions for returns.

### DEFECTIVE ITEMS

- If your item is defective in any way, i.e. it doesn't work but you can't identify why, in the first instance, please call us.

### DAMAGED ITEMS

- If you receive an order with obvious shipping damage from the retailer, then we suggest the delivery is refused. If the delivery has been accepted and then shipping damage is found, please follow the specific instructions advised by the retailer.  
In all circumstances please save all packaging material and paperwork for the order. Please be aware that if you dispose of packaging material or attempt to return the merchandise without contacting the fulfiller, you jeopardise your chances of making a claim, and you may not receive a credit for the return.

### AFTER-SALES CONTACT

