

# ASSEMBLY INSTRUCTIONS



## CAUTION

◆ Inspect the wire insulation for any cuts, abrasions, or exposed copper that may have resulted during shipping. If there is a defect in the wire, do not attempt installation.

◆ Before starting installation of this fixture or removal of a previous fixture, disconnect the power by turning off the circuit breaker or by removing the fuse at the fuse box.

✉ If you need further assistance, please contact us by Email: [customersupport@superiordecorinc.com](mailto:customersupport@superiordecorinc.com)

## TOOLS REQUIRED



Ladder



Safety glasses



Electrical tape



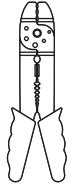
Phillips screwdriver



Flat blade screwdriver

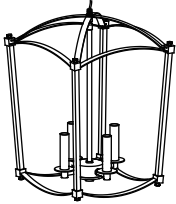


Pliers



Wire strippers

## HARDWARE INCLUDED



Fixture



Fixture Finial



Chain



Canopy



Screw Collar Ring



Mounting Unit



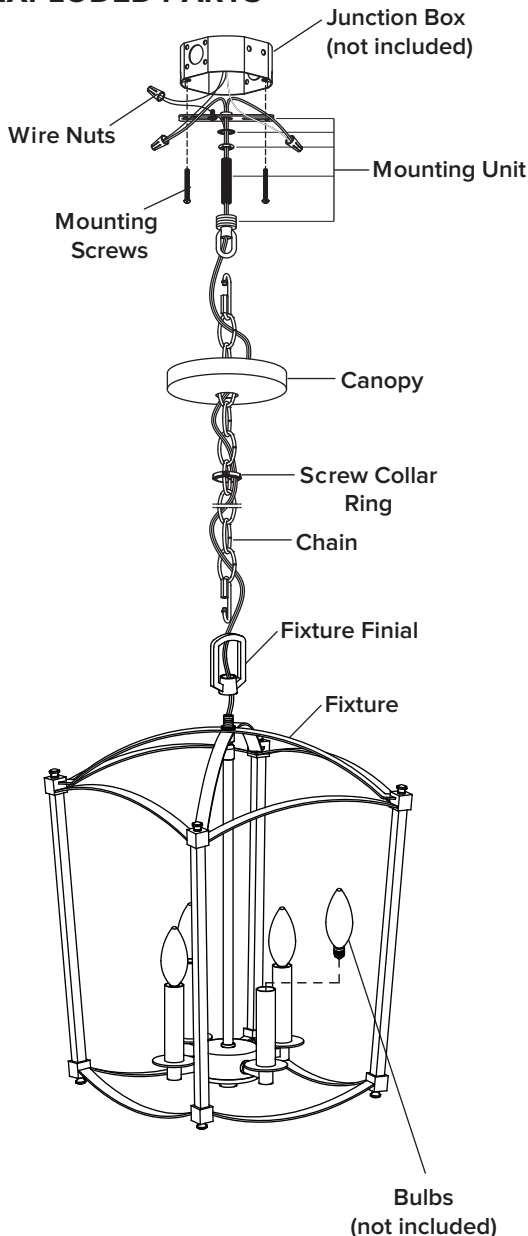
Mounting Screws



Wire Nuts

**\*PARTS SHOWN MAY DIFFER SLIGHTLY PER LIGHT FIXTURE**

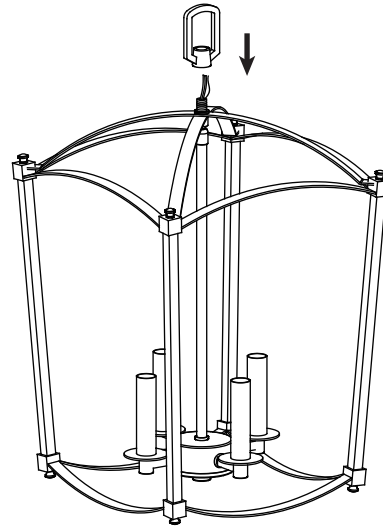
## EXPLODED PARTS



## INSTALLATION

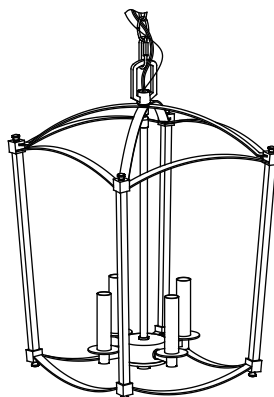
### STEP 1

Attach the **Fixture Finial** onto **fixture**.



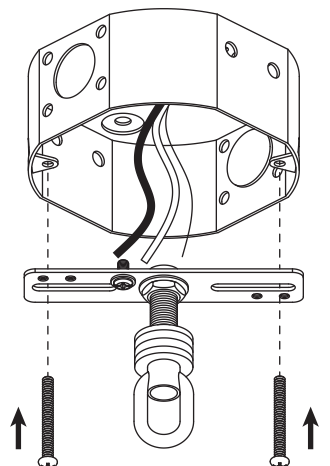
### STEP 2

1. Choose the length of the **chain** you need (Open the chain using a phillips screwdriver (not included) and pliers (not included)).
2. Attach the end of the **chain** to the loop on the **fixture**.



### STEP 3

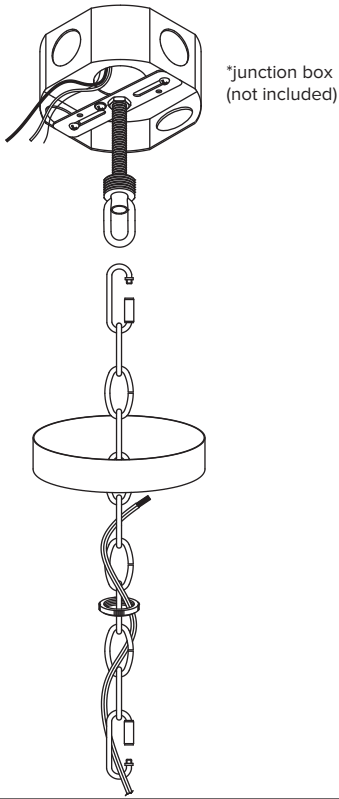
Use the **mounting screws** to attach the **mounting unit** to the **junction box** (not included).



# ASSEMBLY INSTRUCTIONS (INSTALLATION)

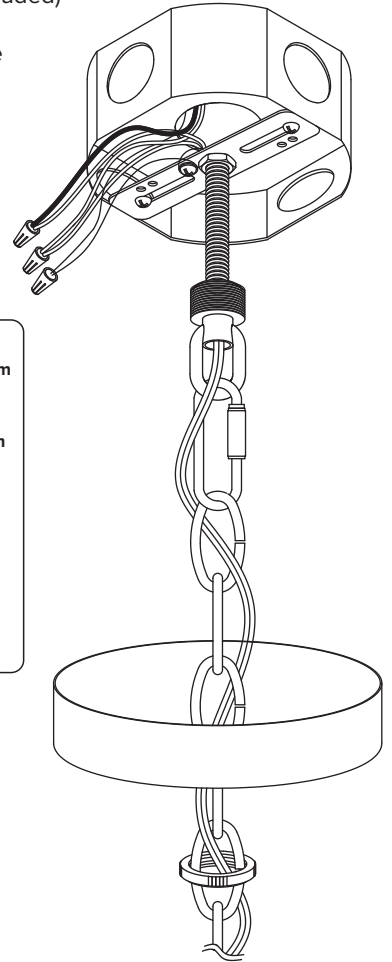
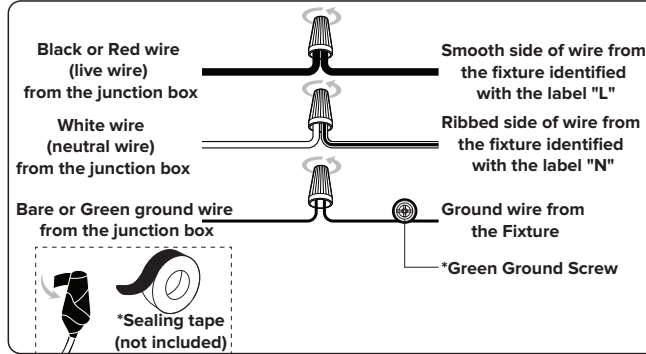
## STEP 4

1. Pass the **chain** and the branch wires through the **screw collar ring** and **canopy**.
2. Attach the end of the **chain** to the **mounting unit**.
3. Feed the branch wires through the pipe nipple on the **mounting unit**.



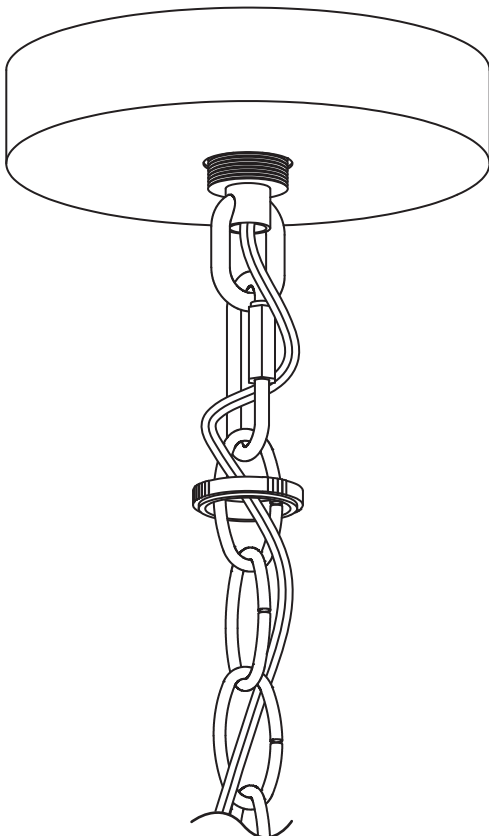
## STEP 5

Make the electrical connection from the junction box (not included) to the **fixture**. Connect the ground wire to the **mounting unit** using the preinstalled green ground screw. Next, connect the live wire, neutral wire and ground wires with the supplied **wire nuts**. Secure with electrical tape.



## STEP 6

Secure the **canopy** to the **mounting unit** with the **screw collar ring**.



## STEP 7

Install bulbs (not included)

