

VS-1000C Plus BY VALORE

Version No.: V1.20160526

Easy Install Shower Panel Installation and User Guide

Français p.18

Español p. 35



ATTACH YOUR RECEIPT HERE

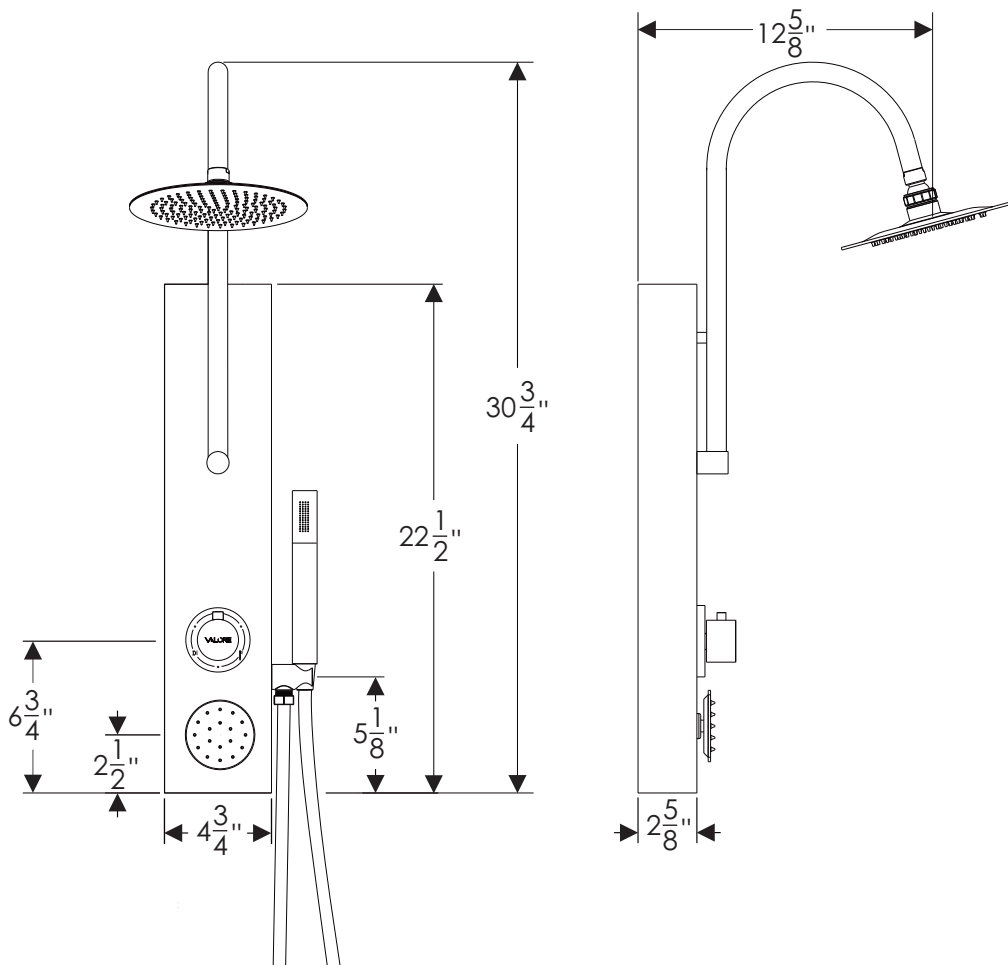
Serial Number _____

Purchase Date _____



If you have questions relating to the use, warranty, return, claims and replacement,
please call: Phone: 877-551-0484 (Monday to Friday 8:30am-5:30pm PST)

DIMENSIONS



DIMENSIONS

- (H) 30.74" x (W) 4.72" x (D) 2.6"
- Hand shower hose: 59.05"
- Weight: Net: 10 lbs /Gross: 12 lbs

FEATURES

- Drill-less design and installs in under 15 minutes
- Easily installs in all shower stalls or tub bath combinations
- All high quality metal components
- Large sleek slim profile rainfall head shower
- Polished chrome "goose neck" to hold the shower head
- Full brass hand shower and cradle
- Stainless steel hand shower hose
- Stainless steel body with finger print resistant coating
- 6 way rotary diverter that offers 3 single spray modes or combination of any 2 features

CODE COMPLIANCE

This product is tested and certified to meet U.S. and international standards
cUPC-certified

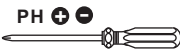

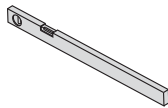


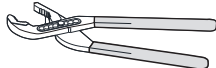
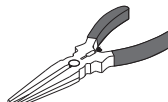
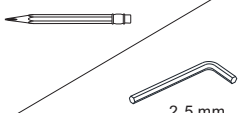
⚠ ATTENTION

- Please read this Installation and User Guide before installing and operating.
- Always take extra care when installing to prevent injury. Please wear appropriate safety equipment.
- Do not allow children unsupervised use of the shower panel.
- Do not use the shower panel if you are physically impaired or under the influence of alcohol or any substance which may prevent you from properly operating the shower panel.
- Keep enough distance between yourself and the shower panel.
- Do not allow sensitive parts of the body such as eyes to come too close to the shower jets.
- Proper pressure balance needs to be maintained between hot and cold water inputs to prevent scalding or injury.

IMPORTANT NOTE

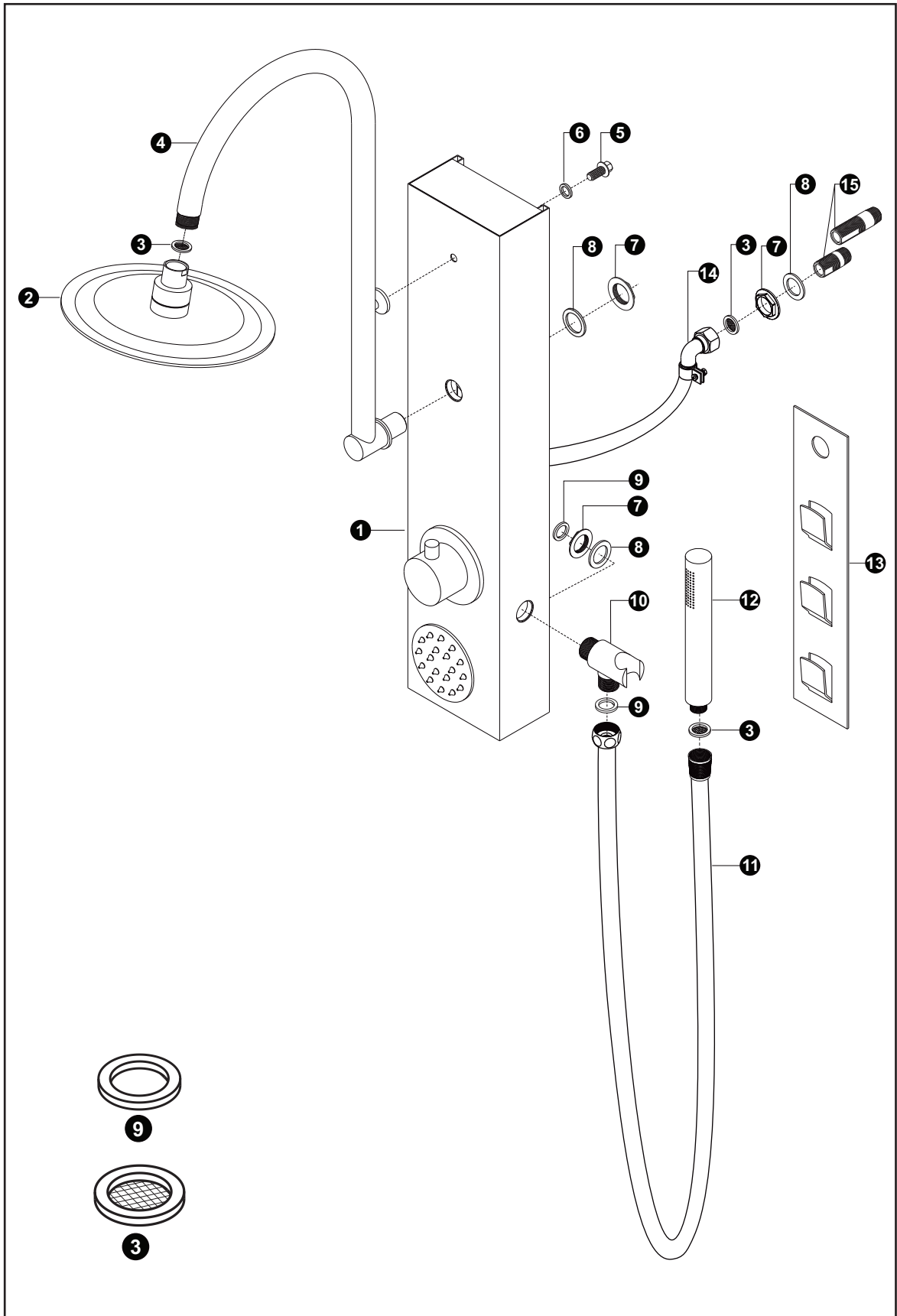
- Before and during installation, please read and familiarize yourself with all installation instructions for this product.
- Please keep all components, parts and accessories of this product away from small children and minors. During installation, all screws, tools and small parts should be supervised so that they do not fall into the hands of children.
- Use caution at all times when installing this product. Please ensure that you are physically able to perform all parts of the installation and that you have the correct tools and equipment needed.
- Before beginning, remove all wrappers and packing materials including staples and packing straps.
- Please check to ensure that all components and parts are complete.
- The Filter Gasket (# 3) must be installed to protect against incoming dirt by pipework. Incoming dirt can impair the function and/or lead to damages on functional parts of the fixture. Manufacturer will not be held liable for resulting damages.
- The O Ring Gasket (# 9) must be installed to prevent water leakage. Manufacturer will not be responsible or liable from any damage which results directly or indirectly from failure to installation of the O Ring Gasket.

RECOMMENDED TOOLS FOR INSTALLATION

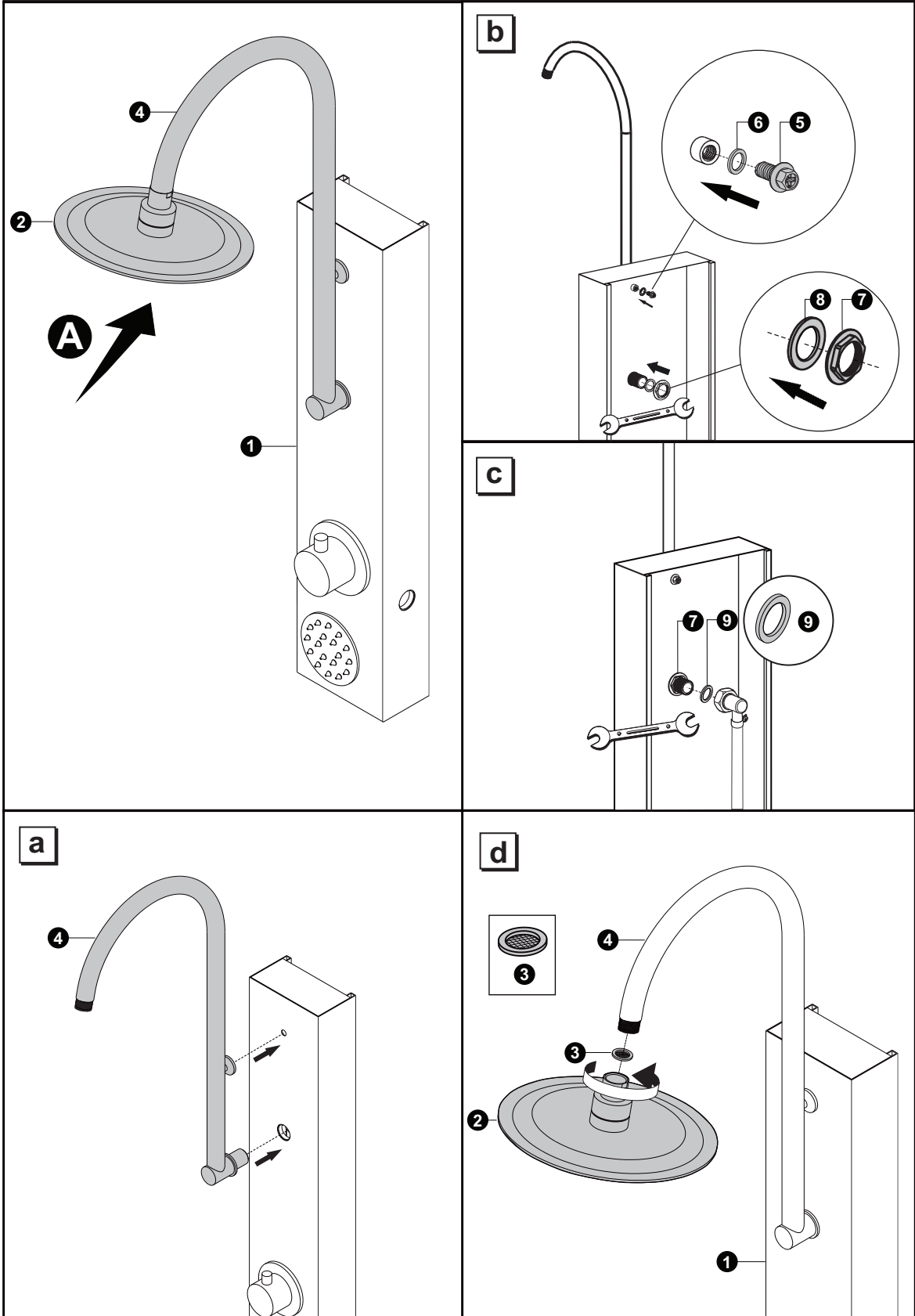
			
Screwdriver	Silicone	Level	Sealing Tape
 24 mm / 30mm			 2.5 mm
Wrenches	Pliers	Vice	Pencil / Hexagon-wrench

PARTS LIST

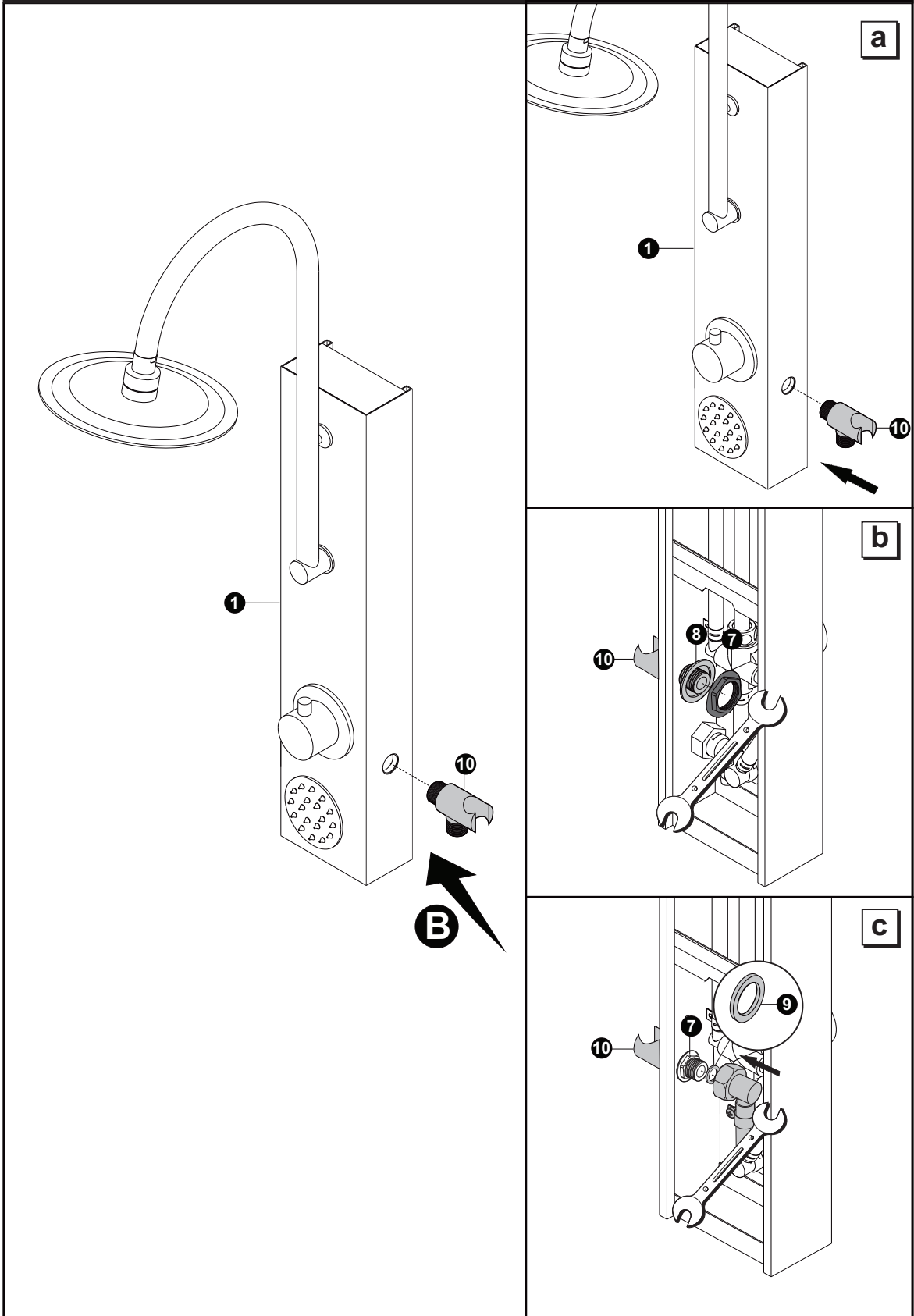
NO.	Description	Qty
1	Shower Panel Casing	1 Set
2	Shower Head	1 Pc
3	Filter Gasket	3 Pcs
4	Shower Arm	1 Set
5	Screw	1 Pc
6	Rubber Washer(5/8")	1 Pc
7	Nut	3 Pcs
8	Rubber Washer(1-1/2")	3 Pcs
9	O Ring Gasket	3 Pcs
10	Handshower Cradle Assembly	1 Set
11	Handshower Hose	1 Set
12	Full Brass Handshower	1 Pc
13	Positioning and Support Brackets	1 Pc
14	Elbow Connector	1Set
15	Brass extender joint (1-7/8"&2-3/4"x1/2")	2 Pcs



ASSEMBLY



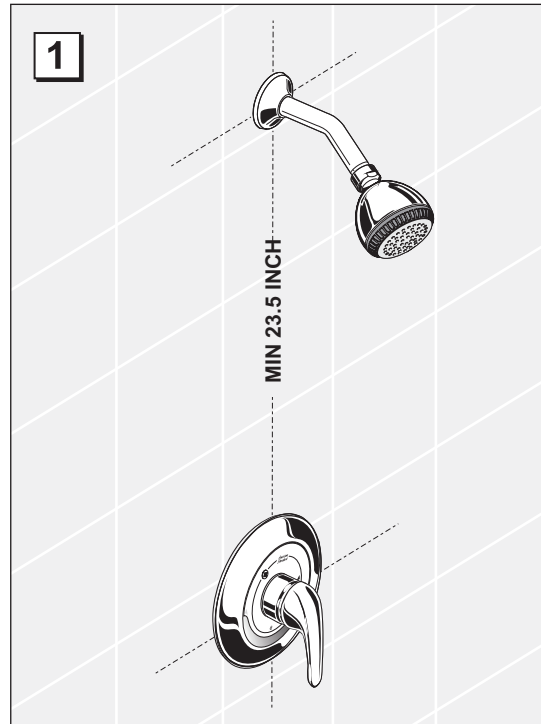
ASSEMBLY



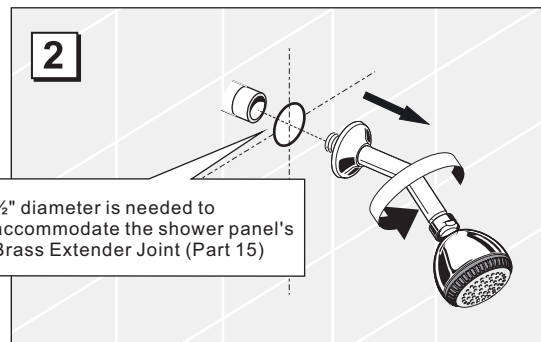
INSTALLATION INSTRUCTIONS

- Before Installation, insure there is sufficient clearance to accommodate the shower panel. A minimum of 23.5" is required between the shower outlet and top of your existing valve. Maximum clearance required 42".

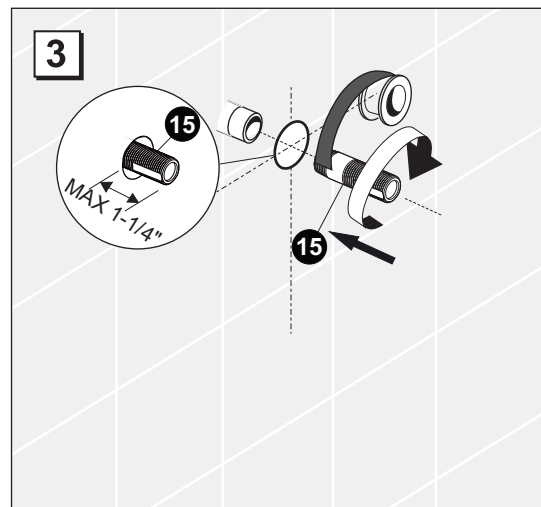
Ensure that the water line to the overhead shower pipe is completely shut off prior to performing any work.



- Remove the existing shower head and shower pipe.

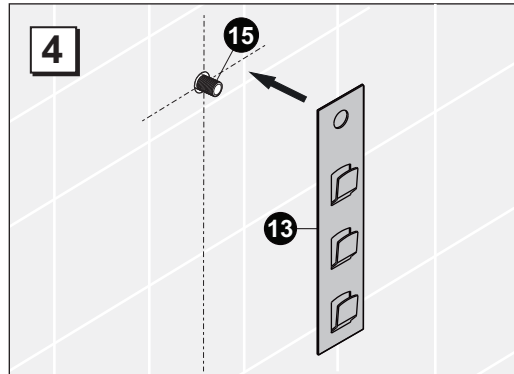


- Connect the Brass Extender Joint (Part 15) provided to the shower outlet. Use waterproof plumbing tape on the pipe threading prior to securing the extender to prevent leaks.
(Note: The Brass Extender Joint (Part 15) in two sizes. Choose the appropriate size and ensure the longer end of threading on the Extender (Part 15) is facing outward.)

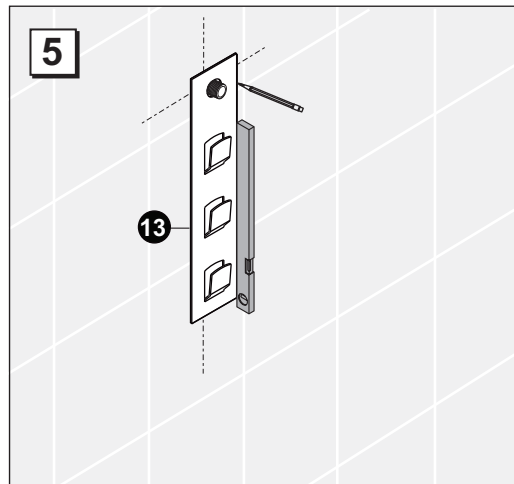


INSTALLATION INSTRUCTIONS

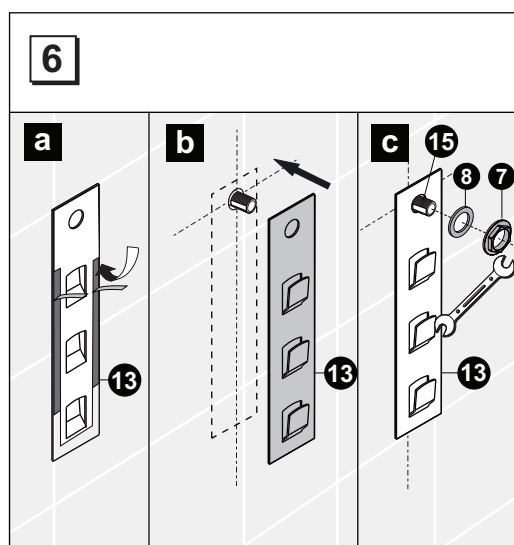
- Insert the Bracket (Part 13) onto the Brass Extender Joint (Part 15)



- To ensure the bracket (and your shower panel) will be in a completely straight and level position, use a level tool against the side of the bracket guide to make fine adjustments to the bracket guide's position until fully level.
- Once fully level, this will be the final position of the bracket guide.
- Take a pencil/marker and lightly mark the vertical position of the Bracket (Part 13).

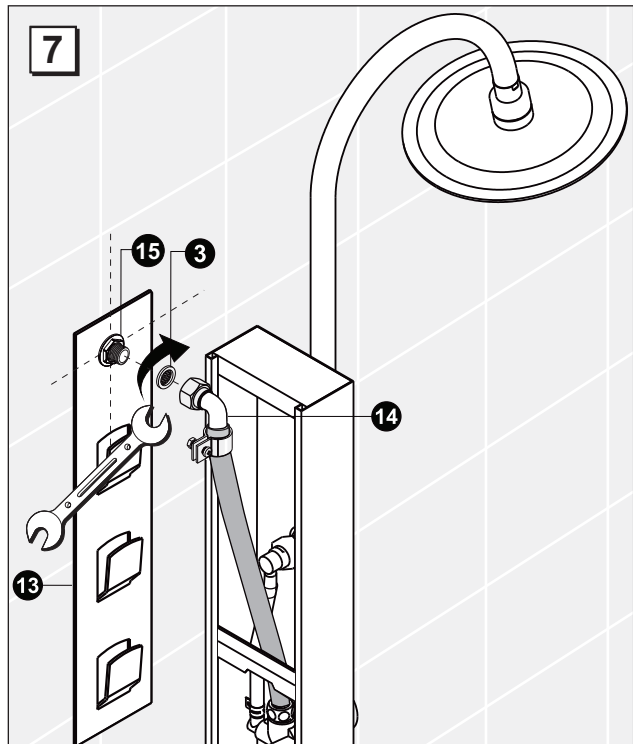


- Peel off the paper backing to the adhesive on the back side of the Bracket (Part 13).
- Place the adhesive side to the wall and apply pressure to secure the Bracket (Part 13).
(Note: Clean all residues from the wall to insure the cover will bond properly)
- Place the Rubber Washer (Part 8) and nut over the Brass Extender Joint (Part 15), and tighten the nut (Part 7) to secure the bracket (Part 13) to the extender joint (Part 15).

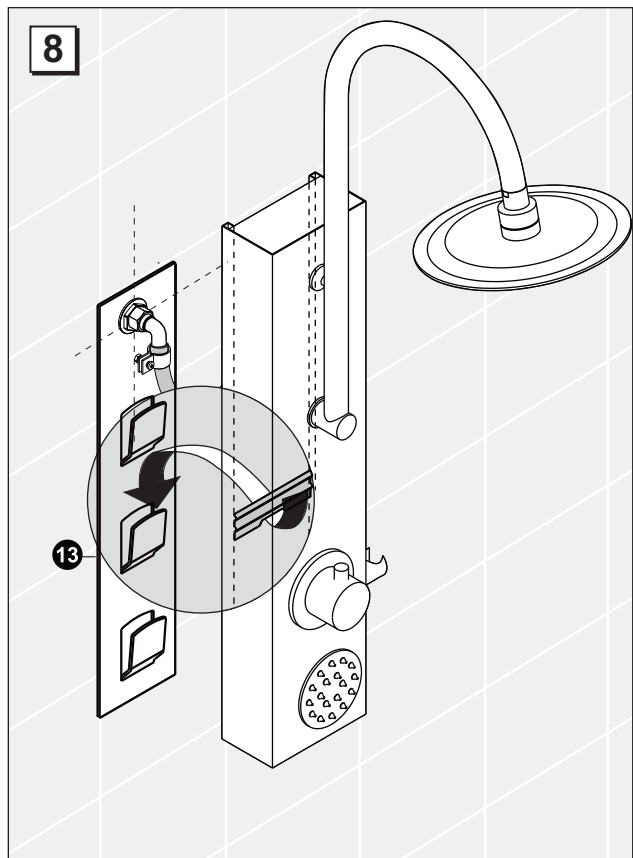


INSTALLATION INSTRUCTIONS

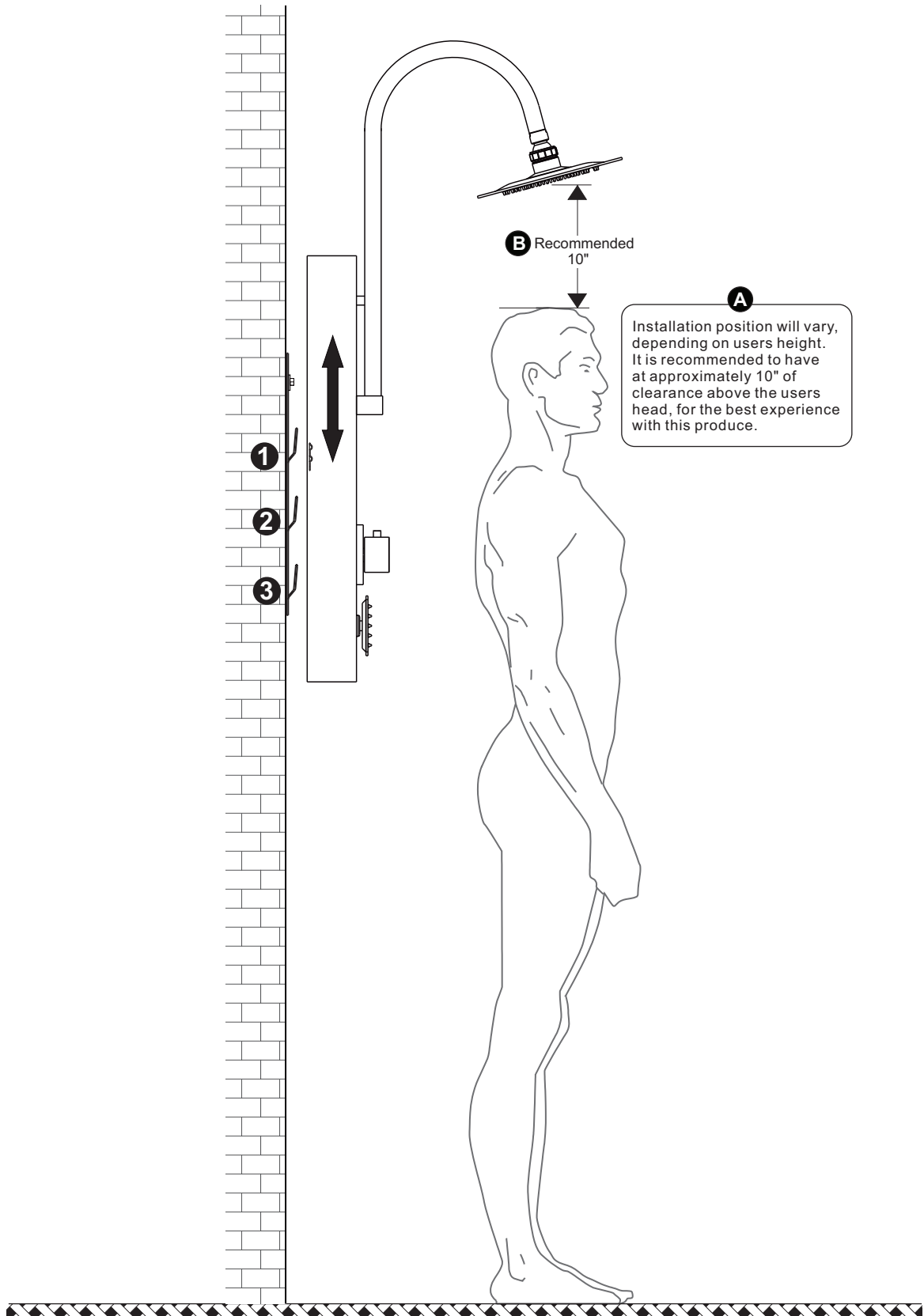
Add a Filter Gasket (Part 3) into Elbow Connector (Part 14) first. Then attach the Elbow Connector (Part 14) to the Brass Extender Joint (Part 15), turn clock wise to tighten.



- After all connections have been completed inside the shower panel, it is ready to be hung on the shower wall for installation.
- There are three height positions to select from.
- 10" of clearance between the overhead shower and the top of the tallest user's head is recommended.
- Place the shower panel on the desired bracket position.
- Raise the shower panel and rest it against the bracket until the support strut is resting snugly in the desired bracket position.
- Once a snug and secure fit is achieved and all the parts on the PVC Supply Line are secured to the back of the shower panel, sealant may be applied to seal the gap between the shower panel body and the wall to prevent water from entering behind the shower panel.

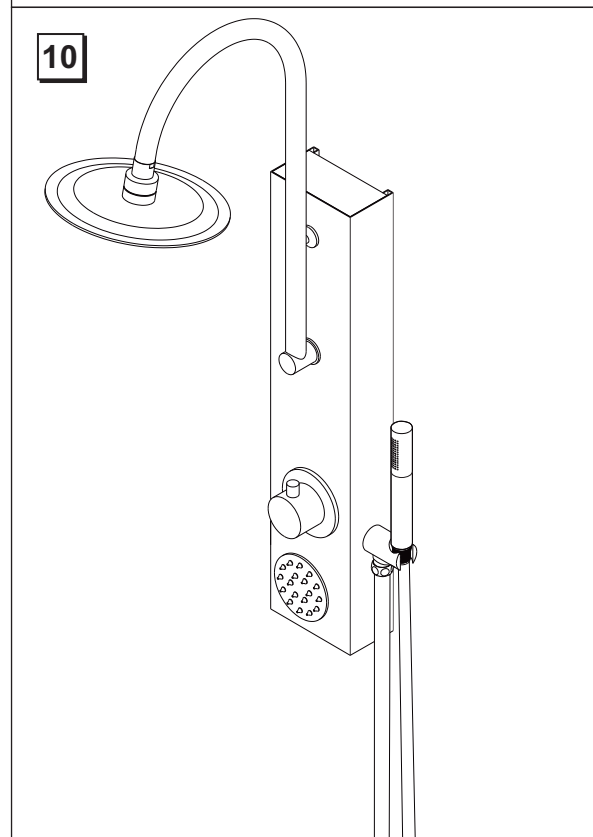
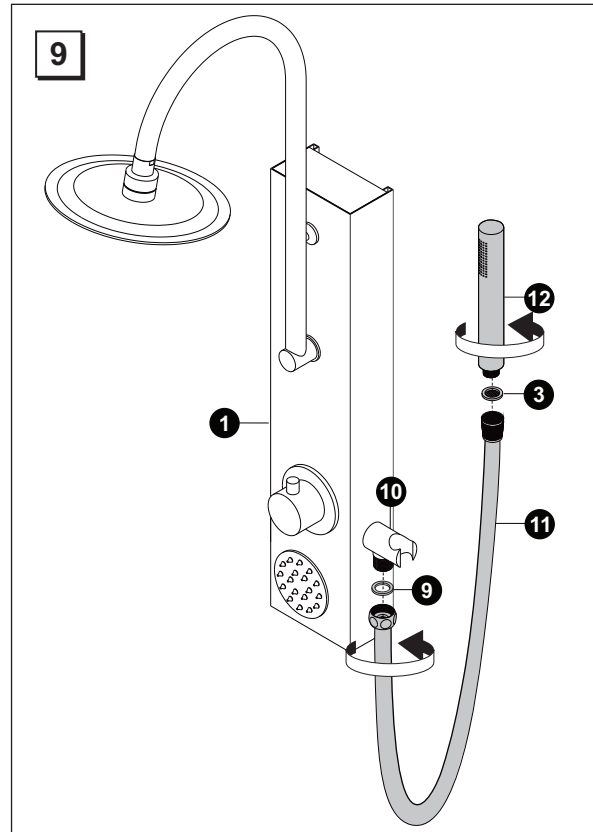


INSTALLATION INSTRUCTIONS



ASSEMBLY & INSTALLATION INSTRUCTIONS

- Add a O Ring Gasket (Part 9) into Handshower Hose (Part 11). Then attach the Handshower Hose (Part 11) to the Handshower Cradle (Part 10), turn clock wise to tighten.
- Add a Filter Gasket (Part 3) into Handshower Hose (Part 11). Then attach the Handshower (Part 12) to the Handshower Hose (Part 11), turn clock wise to tighten.



Technical Data

Maximum operating pressure:	125psi
Recommended pressure:	50~80psi
Test pressure:	45psi , 125psi
Recommended hot water temperature:	93.2~107.6°F
Flow rate @ 80 psi:	<2.0gpm

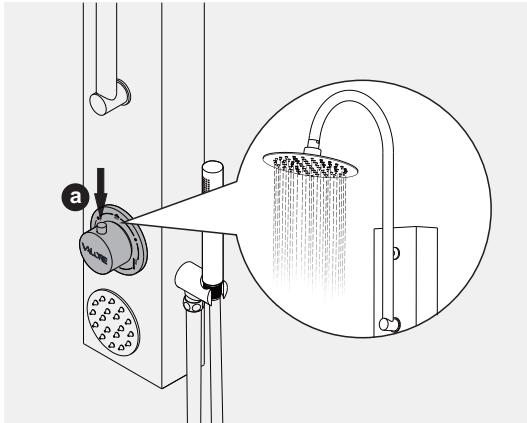
* For Safety, it is highly recommended that you familiarize yourself with all applicable local plumbing codes before installing this product.

How to use Diverter

NOTE: Please turn on the Faucet first.

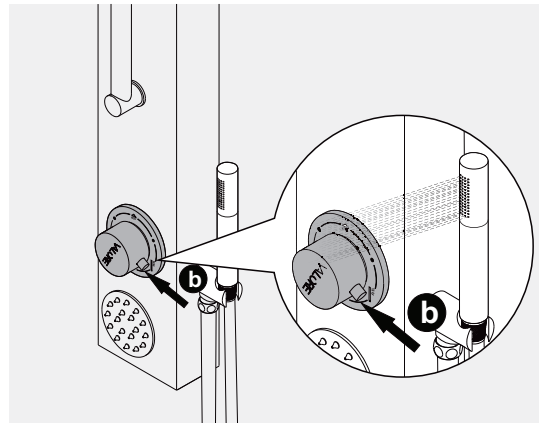
• Shower Head Position

When the position knob is placed in "a".



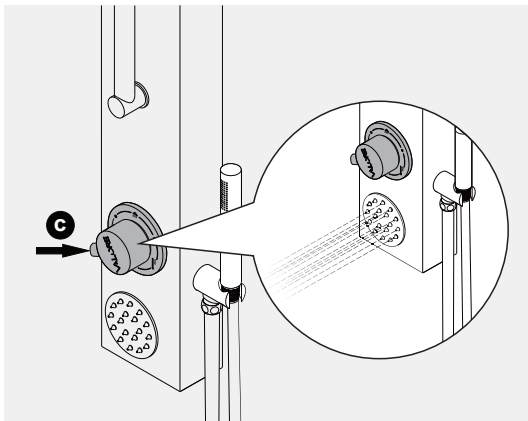
• Hand Shower Position

When the position knob is placed in "b".



• Spray Position

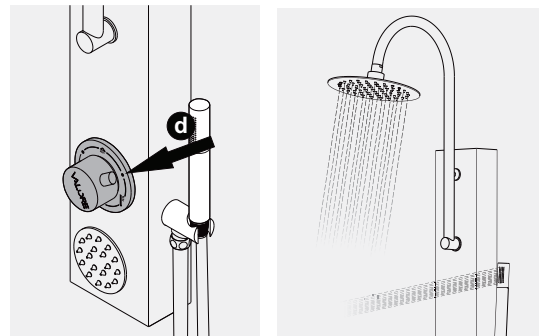
When the position knob is placed in "c".



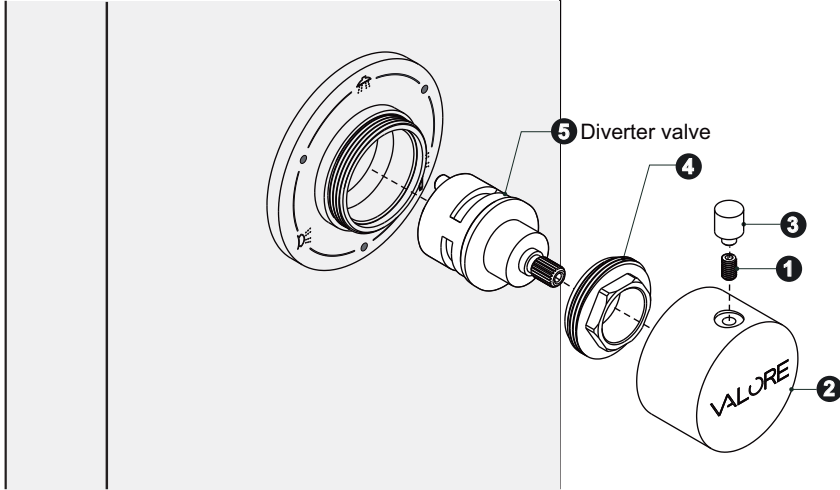
• Two modes simultaneously

When the position knob is placed in between each dot mark, this will result in a sharing of water output between 2 operating modes. This can be used if combination of 2 modes is desired however the water output will be reduced due to sharing of water flowing through the system between those 2 operating modes.

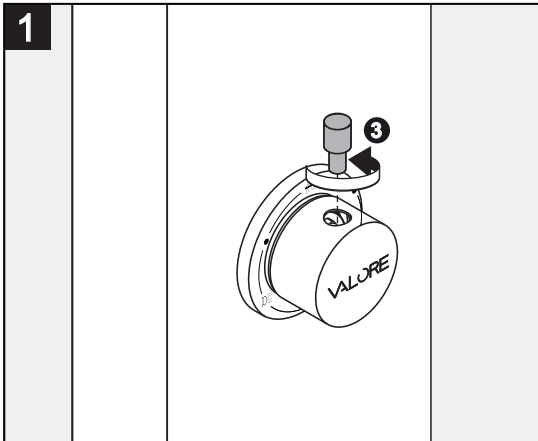
When the position knob is placed "d", the handshower and the top hydro jets will work simultaneously.



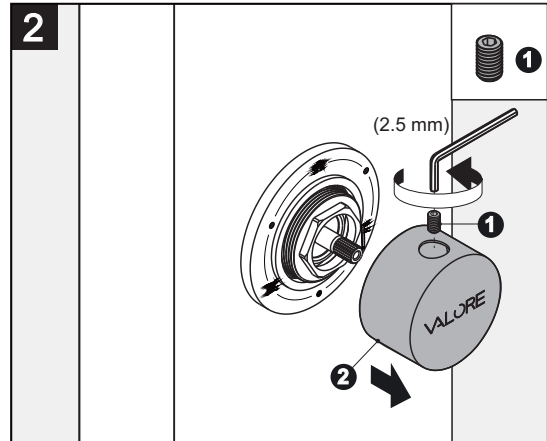
Diverter Valve Structure



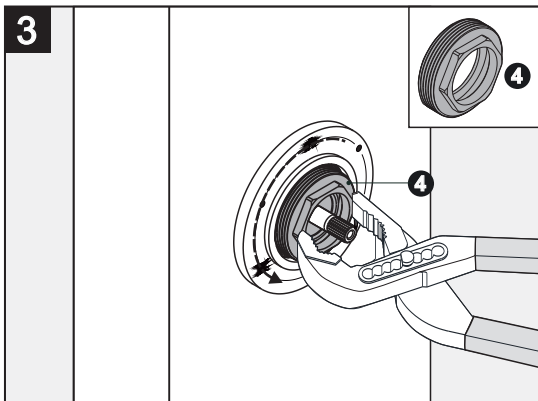
How to Remove the Diverter Valve



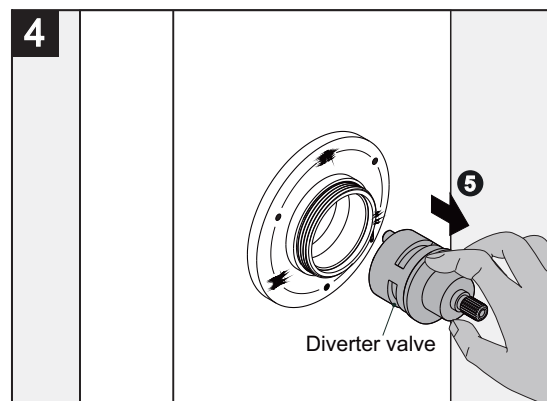
- Remove the handle to open the set screw access hole.



- Loosen the set screw (#1) from the valve stem and pull the knob (#2) straight out.

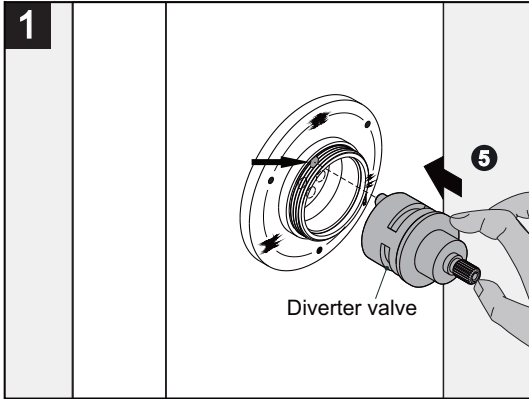


- Loosen and remove the gland nut (#4).

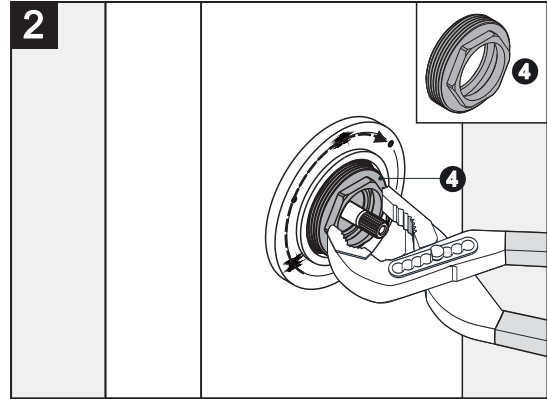


- Remove the Diverter valve (#5) by pulling it straight out.

How to Install the Diverter Valve

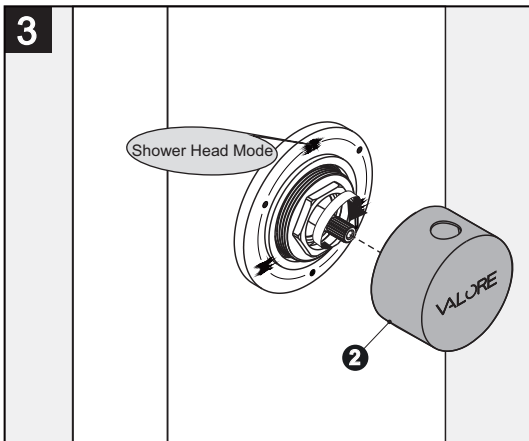


- Place the Diverter valve (#5) into the valve body. Note the one pillar on the bottom of the Diverter valve (#5) must be aligned with the hole in the rear of the body.

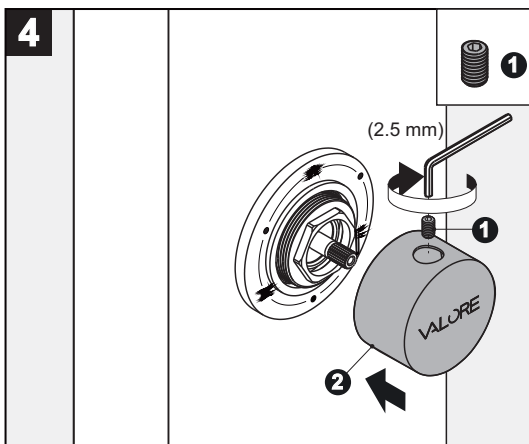


- Tighten the gland nut (#4). Take precaution to avoid scratching the trim plate. Do not force the nut too tightly.

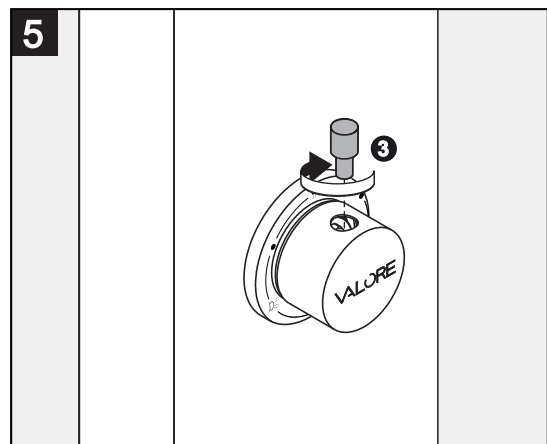
Adjust the knob with right position



- Replace the knob (#2) on the valve stem.
- Before securing the knob, turn on the water to know which way the handle is to be pointed.

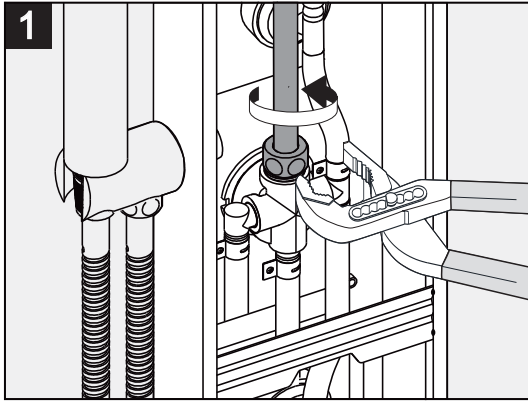


- Once the correct position of the knob has been determined, place the knob on the valve stem and tighten the set screw (#1). Do not overtighten.

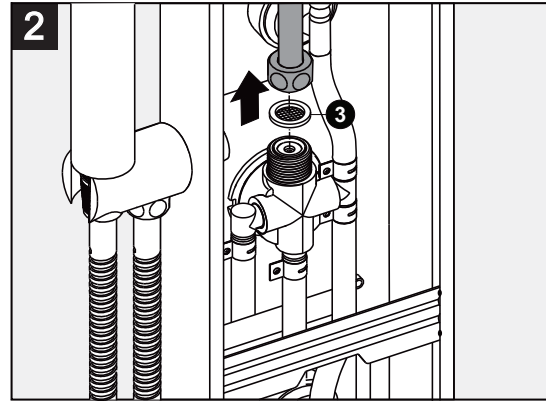


- Tighten the handle (#3) and finish the install.

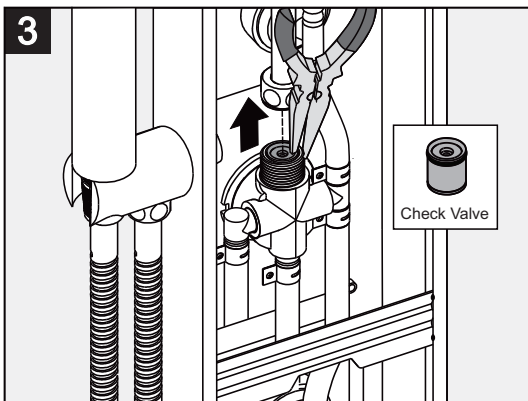
How to Replace the Check Valve



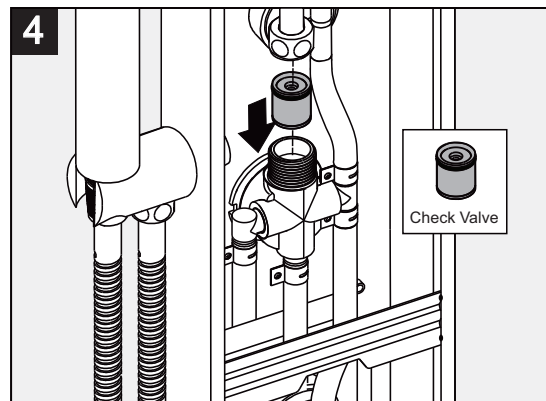
- Loosen the nut securing the PVC Flexible hose to the brass valve body.



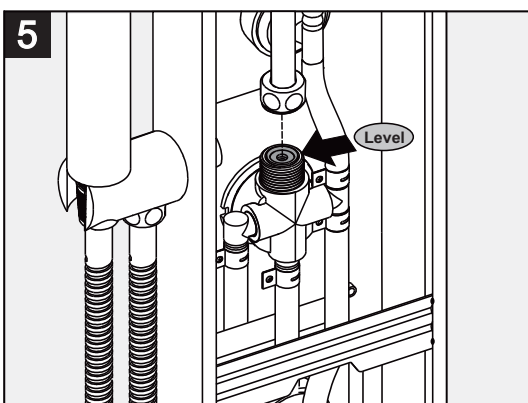
- Disconnect the PVC hose from the valve body and remove the Filter Gasket (#3).



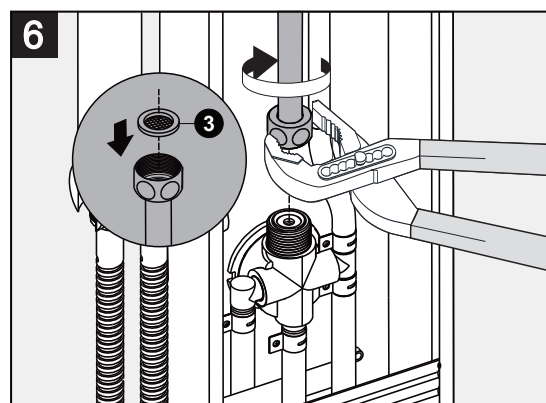
- Using needle nose pliers, grip the edge of the check valve and pull straight out..



- Place the new check valve into the valve body. Observe the direction of the valve is correct.



- Ensure the check valve is flush with the top of the valve body inlet.



- Place the filter gasket (#3) back in place and secure the PVC hose to the valve body to complete the install.

Cleaning Recommendations

Modern faucets and shower products utilize a combination of materials to comply with the needs of the market with regard to design and functionality.

To avoid damage, it is necessary to use some caution when cleaning. Damage caused by improper treatment is not covered under the warranty.

Cleaning Materials for Faucets and Showers

- To remove lime scale, use only products made specifically for that purpose. Always follow the manufacturer's instructions when using.
- Do not use cleaners that contain hydrochloric, formic, acetic, or phosphoric acids, as these will cause considerable damage to finishes and to plastic components.
- Never mix cleaning materials.
- Never use cleaners containing abrasives. Do not use abrasive cleaning cloths, pads, or sponges.

Cleaning Procedures

- Required cleaning your faucets and shower products, regular cleaning will prevent scale buildup and water spotting.
- Follow the label instructions. Do not allow any cleaner to remain on the product for longer than necessary.
- When using spray cleaners, Please spray first to a sponge or cloth, Don't spray directly to the product.
- Please use clean water to rinse to remove residual cleaners and dirt.

Important

- Soap and shampoo residue can also cause damage to the product. Rinse with clean water after use.
- If the surface is already damaged, harsh cleaning materials will cause further damage.

Troubleshooting

Problem	Possible Causes	Remedy
Limited water flow	- Supply pressure inadequate	- Check water pressure (If a pump has been installed check to see if the pump is working)
	- Filters Gasket are dirty	- Clean Filter Gasket between shower and hose
Shower drips continuously	- Dirt or sedimentation on valve seat, shut-off unit damaged	- Clean or exchange shut-off unit

LIMITED WARRANTY

Valore ("Seller") and the person or entity that acquires these goods from Seller ("Purchaser") hereby fully agrees to the following terms and conditions of the sale: Shipping fees are the responsibility of the Purchaser whether freight prepaid or freight collect. Seller assumes no responsibility for the goods sold to the Purchaser once the goods have left the Seller's premises, including but not limited to, late delivery by the moving carrier, or for events caused by any difficulty carrier incurs in attempting to fit the goods into the Purchaser's place of business or residence due to size of the goods or otherwise Purchaser assumes all responsibility for delivery, payment of freight, access, measurement, installation, hook-up, wiring, moving and storage of the goods. The transportation of all goods is subject to the terms and conditions which the moving carrier imposes on Purchaser including, but not limited to, additional charges imposed per flight of stairs, and/or additional charges resulting from the carrier's inability to safely and/or adequately use the building elevator to lift the goods to an upper level. Any claim for damages incurred during the shipment by the carrier of the goods are insured and handled directly with the carrier. Any damages due to manufacture defects will be handled directly with Valore, subject to the limited warranty.

All sales are final, and unless authorized in writing by the Seller, Purchaser may not return the goods, under any circumstance. If Purchaser refuses to accept the goods, under any circumstance, the Purchaser is liable for the return and cost of freight both ways, and if seller does take the goods, there may be a restocking fee that of 20% of the purchase price of the goods in addition to the freight. Purchaser must notify Seller of non-conforming goods within seven (7) days of delivery, after which time all goods are deemed accepted. If an order has been placed and production started, cancellation cost of your order will be 20% or the purchase price.

The limited warranty does not cover damage due to such things as accident, misuse, abuse, mishandling, neglect, acts of God, fires, earthquakes, floods, high winds, government, war, riot or labor issues defined as strikes, lockouts, delay of carrier, unauthorized repair, or any other beyond the control of the Seller whether similar or dissimilar to the foregoing. Seller is not responsible for any damages caused by the Purchaser misusing, mishandling or abusing the intended the use of the goods. Limited warranty applies only inside the Continental U.S. or Canada (Alaska, Puerto Rico Hawaii, Yukon, Northwest Territories, and Nunavut not included). The limited warranty is not transferrable between the US and Canada.

The limited warranty is only valid with the provision of proof-of-purchase from an authorized retailer of Valore branded products.

Seller is not responsible for labor expenses that are incurred due to service or installation charges.

Seller is not responsible for incidental or consequential damages and there are no warranties, expressed or implied, which extend beyond the limited warranty described above. The implied warranties of merchantability and of fitness for a particular purpose are hereby expressly disclaimed. Some states do not allow the exclusion of incidental or consequential damages, or a waiver of the implied warranties of fitness and/or merchantability, so the above limitations may not apply to you. This warranty gives you specific legal rights and you may have other rights, which vary from state to state.

LENGTH OF WARRANTY

Ten (10) years guaranteed from manufacture defects
Lifetime limited parts warranty on the diverter valve.
Recycling: Most of the materials used to manufacture this shower fixture are recyclable. Please dispose of those materials properly in accordance to your local state laws. Improper disposing of this shower fixture can be harmful to the environment.

If you have questions relating to the use, warranty, return, claims and replacement, please call:

Phone: 877-551-0484

(Monday to Friday 8:30am-5:30pm PST)

Email us at info@valoreusa.com (24 hour)

For more information, you can visit us at:

www.valoreusa.com

VS-1000C Plus BY VALORE

No. de versión: V1.20160526

Panel de ducha de fácil instalación Manual de instalación y utilización



ADJUNTE SU RECIBO DE COMPRA AQUÍ

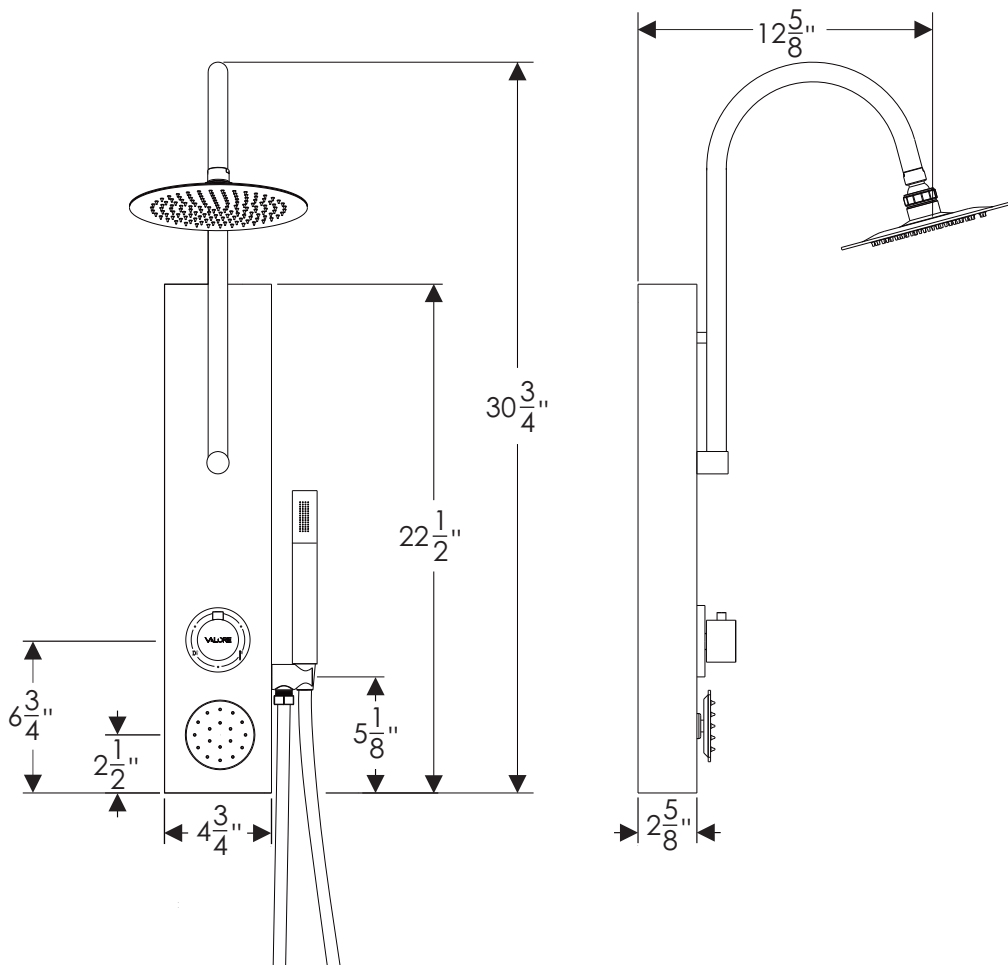
Número de serie _____

Fecha de compra _____



Si tiene alguna duda sobre la utilización, garantía, devolución, reclamación o sustitución de este producto, llámenos al: 877-551-0484
(de lunes a viernes, de 8:30 a 17:30 PST)

DIMENSIONES



DIMENSIONES

- (Alt.) 30,74 pulg. x (Anch.) 4,72 pulg. x (Prof.) 2,6 pulg
- Manguera de ducha teléfono: 59,05 pulg
- Peso neto: 10 lb; Peso bruto: 12 lb

CARACTERÍSTICAS

- Diseñado para instalarse en 15 minutos o menos y sin necesidad de taladro
- Se instala en cualquier ducha o conjunto de bañera y ducha
- Componentes fabricados con metales de alta calidad
- Gran cabezal fino y elegante para una ducha de tipo lluvia
- Sujeción del cabezal de ducha mediante tubo cromado tipo "cuello de cisne"
- Ducha teléfono y soporte de latón macizo
- Manguera de ducha de acero inoxidable
- Armazón de acero inoxidable con capa resistente a marcas dactilares
- Válvula de selección de seis direcciones que ofrece tres modos simples de chorro o combinaciones de dos modos

CUMPLIMIENTO NORMATIVO

Este producto ha sido probado y certificado de acuerdo a la normativa estadounidense y a los criterios internacionales de certificación de la UPC.

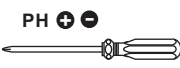

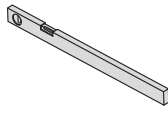


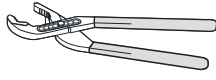
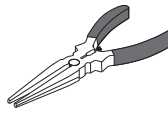
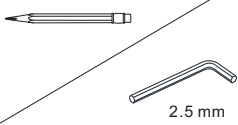
⚠ ATENCIÓN

- Por favor, antes de proceder a la instalación y utilización de esta ducha, lea atentamente este manual de instalación y utilización.
- Para evitar cualquier riesgo de lesión, extrema la precaución durante la instalación. Utilice material de seguridad adecuado.
- No permita que los niños utilicen el panel de ducha sin supervisión.
- No utilice el panel de ducha si presenta una deficiencia física o si se encuentra bajo los efectos del alcohol o de cualquier otra sustancia que le impida el uso adecuado del mismo.
- Manténgase a una distancia adecuada del panel de la ducha.
- No acerque partes sensibles de su cuerpo, como los ojos, al chorro de ducha.
- Debe mantener el equilibrio adecuado entre el agua caliente y fría para evitar quemaduras.

NOTAS IMPORTANTES

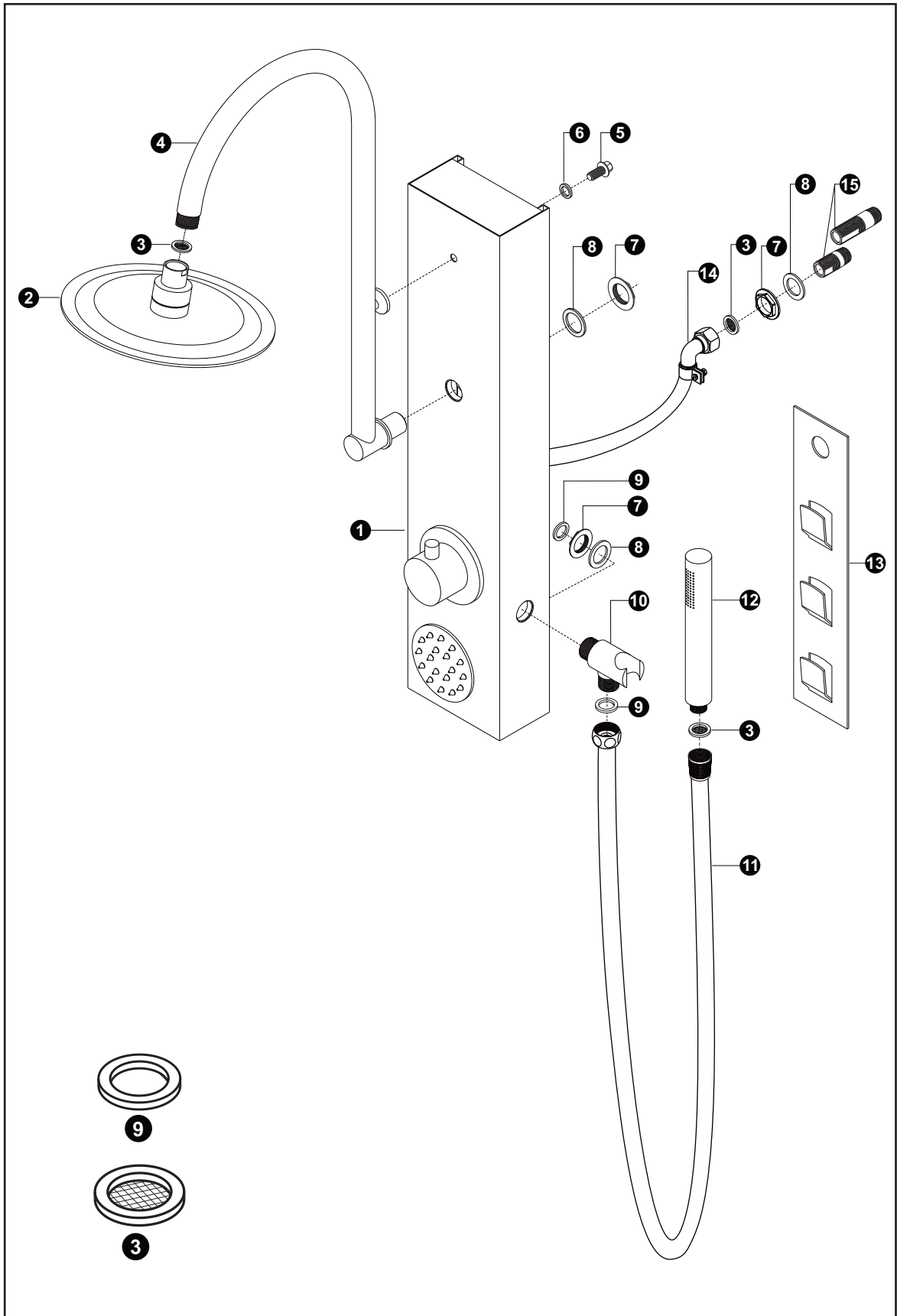
- Antes y durante la instalación, lea detenidamente y familiarícese con todas las instrucciones de instalación de este producto.
- Conserve los elementos, piezas y accesorios de este producto fuera del alcance de los niños.
- Durante la instalación, asegúrese de que todos los tornillos y piezas de menor tamaño se encuentran fuera del alcance de los niños.
- Extremar la precaución durante todo el proceso de instalación de este producto. Asegúrese de estar físicamente capacitado para llevar a cabo todos los pasos de instalación y de disponer de todas las herramientas y el material necesario.
- Antes de comenzar, retire todo el material de embalaje, incluidas grapas y correas.
- Asegúrese de que se incluyen todos los componentes indicados y las piezas están completas.
- Se debe instalar la junta del filtro (pieza 3) para impedir que se introduzca cualquier tipo de suciedad o residuo en el conducto. La suciedad o residuo puede afectar al adecuado funcionamiento o causar daños a componentes que aseguran el buen funcionamiento del producto. El fabricante no se hace responsable de los daños derivados del hecho de no seguir esta directiva.
- Se debe instalar la junta tórica (pieza 9) para impedir fugas de agua. El fabricante no se hace responsable de los daños producidos directa o indirectamente por la falta de la junta tórica.

HERRAMIENTAS RECOMENDADAS PARA LA INSTALACIÓN

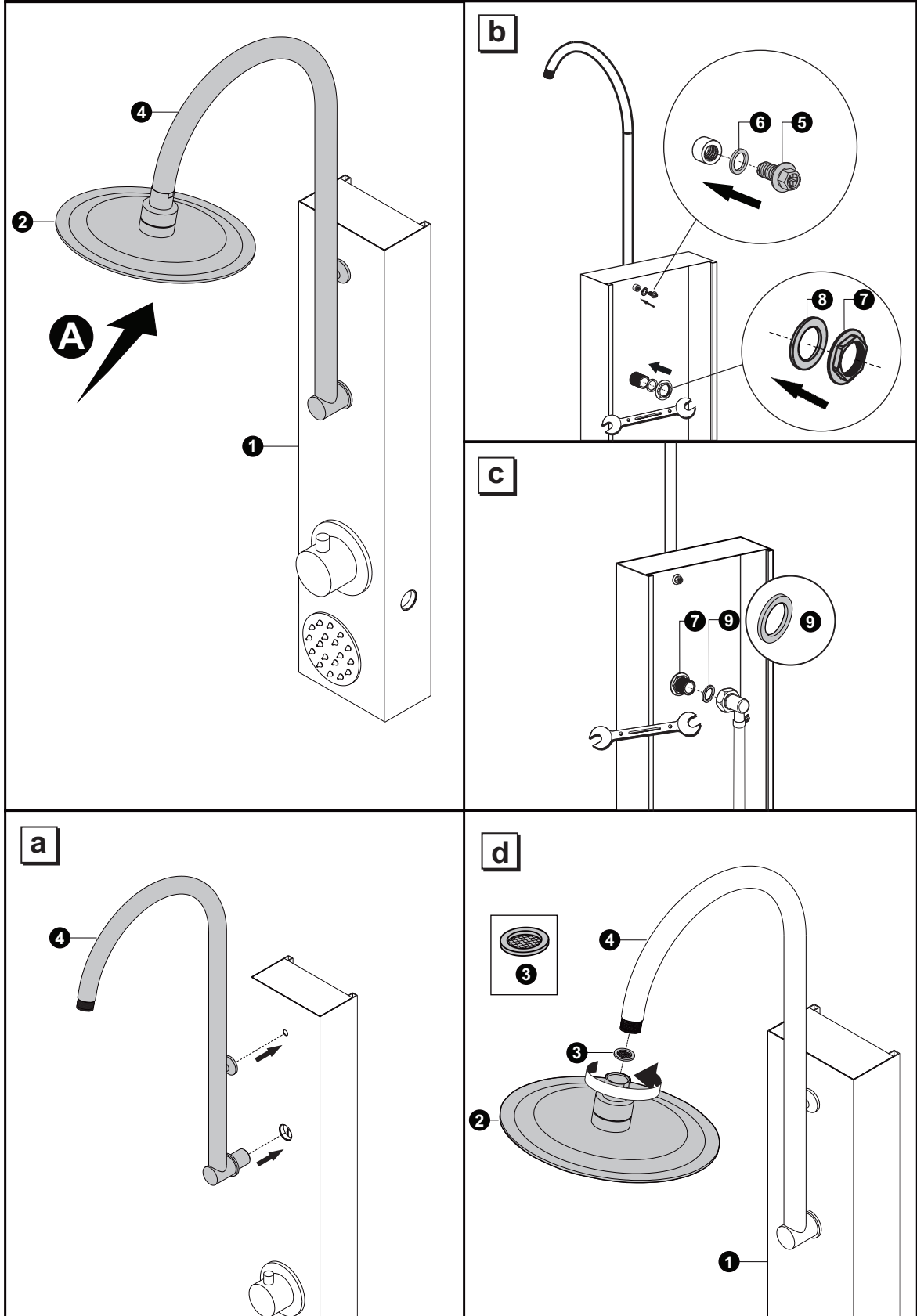
			
Destornillador	Silicón	Nivel	Cinta de sellado
 24 mm / 30mm			 2.5 mm
Llave inglesa	Alicates	Alicates cigüeña	Lápiz / Llave hexagonal

LISTA DE LAS PIEZAS

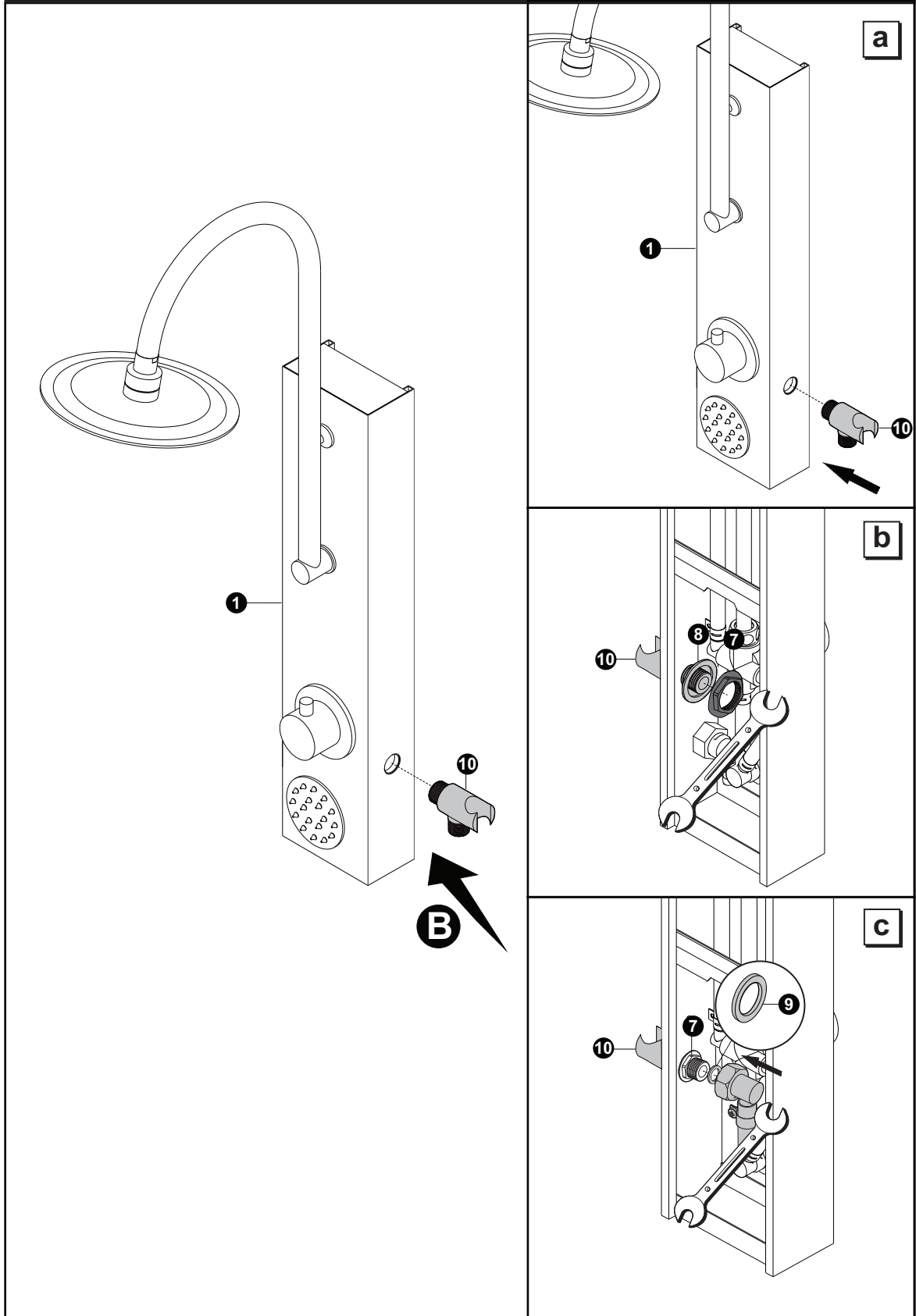
NO.	Descripción	Cantidad
1	Armazón del panel de ducha	1 juego
2	Cabezal de ducha	1 ud.
3	Juntas del filtro	3 uds.
4	Tubo del cabezal	1 juego
5	Tornillo	1 ud.
6	Junta de goma (5/8 pulg.)	1 ud.
7	Tuercas	3 uds.
8	Juntas de goma (1-1/2 pulg.)	3 uds.
9	Juntas tóricas	3 uds.
10	Ensamblaje del soporte para la ducha teléfono	1 juego
11	Manguera de la ducha teléfono	1 juego
12	Ducha teléfono de latón	1 ud.
13	Placa de soporte y posicionamiento	1 ud.
14	Conector acodado	1 juego
15	Juntas de extensión de latón (1-7/8 pulg. y 2-3/4 pulg. x 0,5 pulg.)	2 uds.



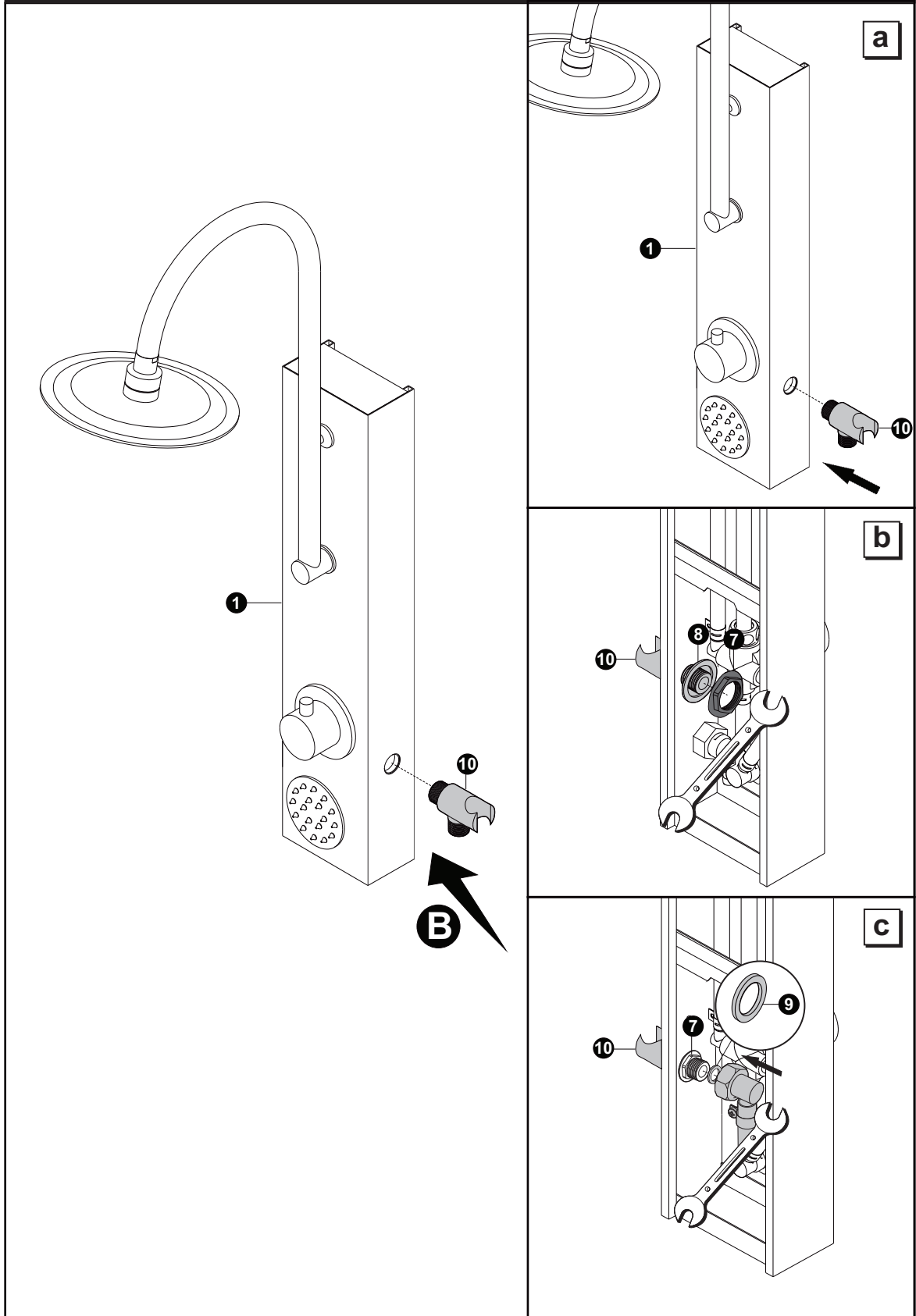
ENSAMBLAJE



ENSAMBLAJE



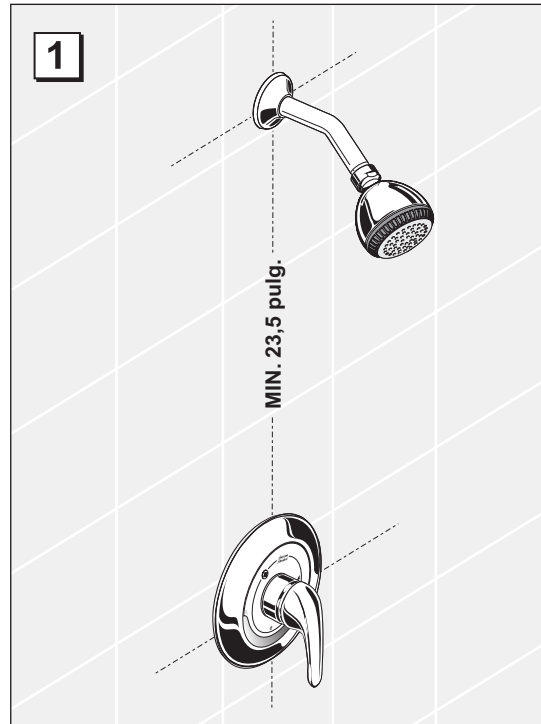
ENSAMBLAJE



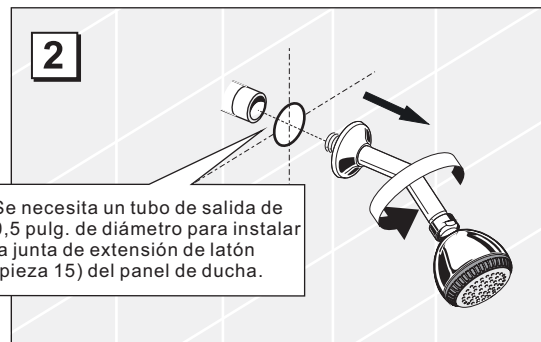
INSTRUCCIONES DE INSTALACIÓN

- Antes de proceder a la instalación, asegúrese de que el espacio libre sea suficiente para instalar el panel de ducha. Se requiere un espacio mínimo de 23,5 pulgadas entre el tubo de salida de la ducha y la válvula existente. El espacio máximo requerido es de 42 pulgadas.

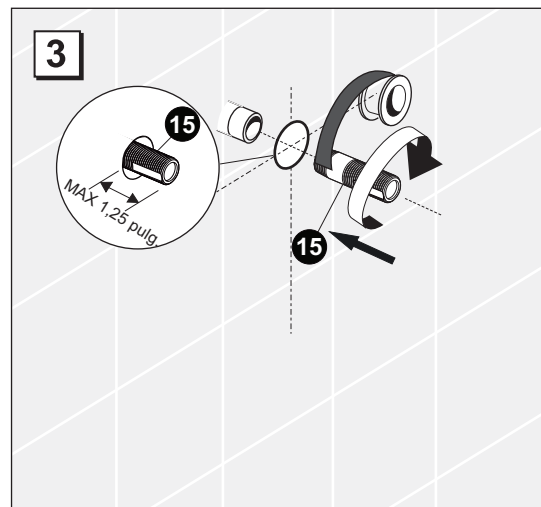
Asegúrese de que la toma de agua de la manguera del mango de ducha está completamente cerrada antes de comenzar la instalación.



- Retire el cabezal y el tubo de ducha existentes.

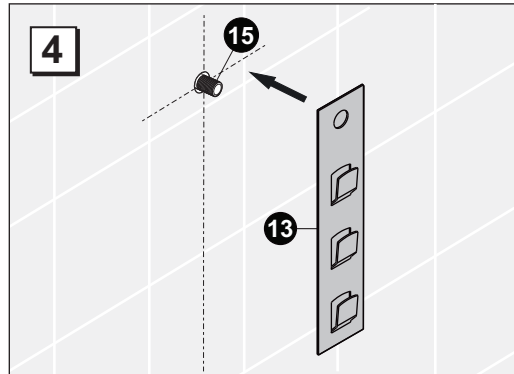


- Conecte la junta de extensión de latón proporcionada (pieza 15) al tubo de salida de la ducha. Para prevenir fugas, coloque cinta de sellado en la rosca antes de instalar la junta de extensión de latón. **(Nota: Hay dos juntas de extensión de tamaños distintos. Elija el tamaño apropiado. Asegúrese de que el extremo roscado más largo de la junta de extensión de latón [pieza 15] apunta hacia el exterior.)**

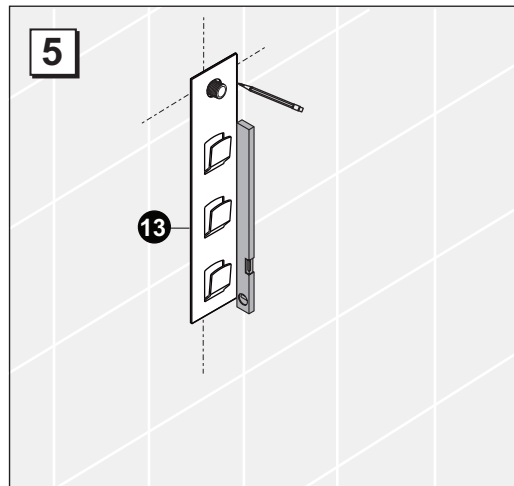


INSTRUCCIONES DE INSTALACIÓN

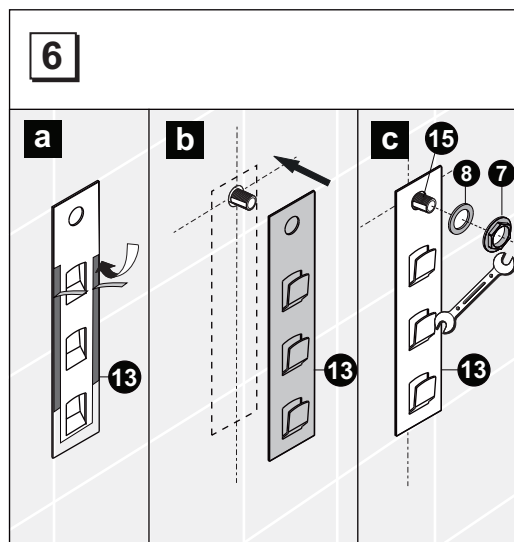
- Inserta la placa de soporte (pieza 13) pasando la junta de extensión de latón (pieza 15) por el agujero.



- Para asegurar la correcta nivelación de la placa de soporte (y del panel de la ducha), coloque un nivel de burbuja en el lateral ajustando su posición hasta que la placa de soporte esté perfectamente nivelada.
- La posición final se determinará cuando la placa de soporte esté perfectamente nivelada.
- Con un lápiz o rotulador, marque la posición vertical de la placa de soporte (pieza 13).

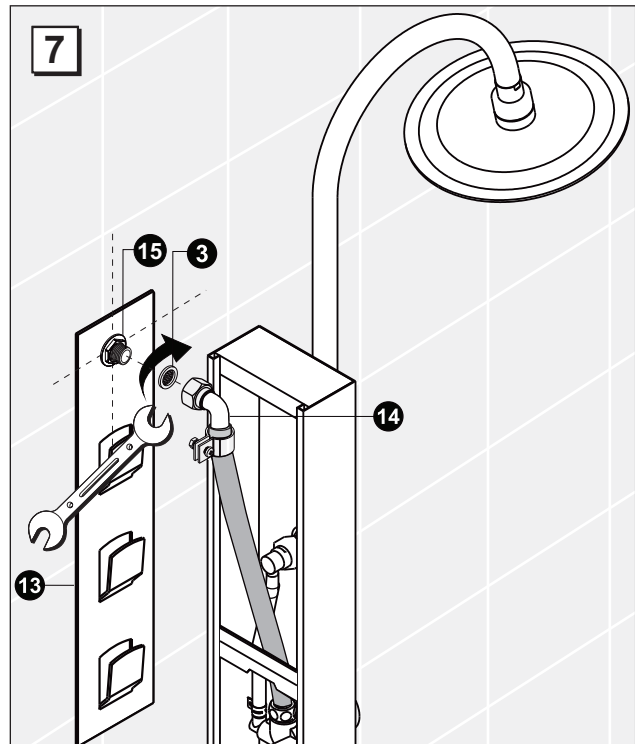


- a. Retire el papel de la parte trasera de la placa de soporte (pieza 13) para exponer la superficie adhesiva.
- b. Coloque el lado adhesivo contra la pared y presione firmemente para fijar la placa de soporte (pieza 13).
(Nota: Para asegurarse la adecuada adherencia del soporte, elimine previamente cualquier residuo de la pared.)
- c. Coloque la junta de goma (pieza 8) y después la tuerca (pieza 7) sobre la junta de extensión de latón (pieza 15). Apriete la tuerca (pieza 7) para sujetar la placa de soporte (pieza 13) a la junta de extensión de latón (pieza 15).

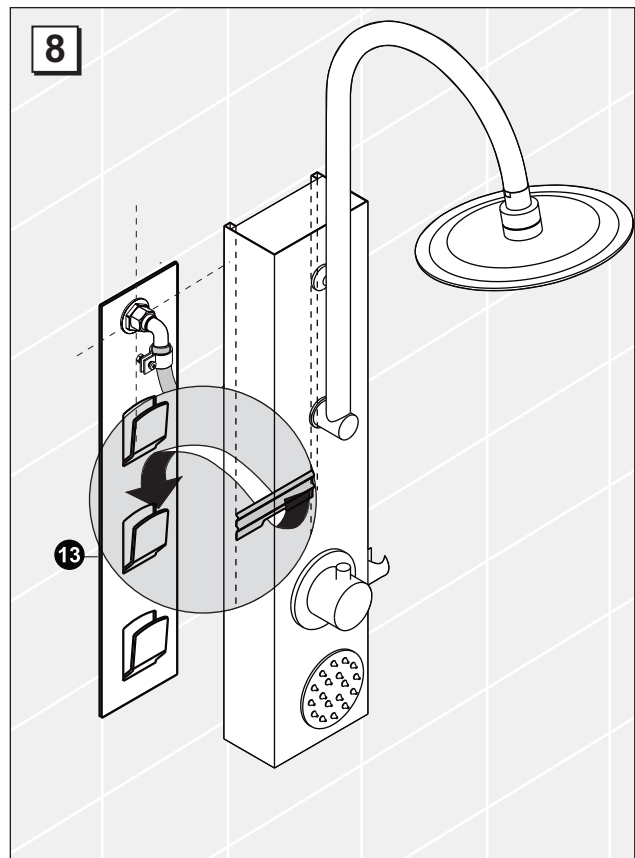


INSTRUCCIONES DE INSTALACIÓN

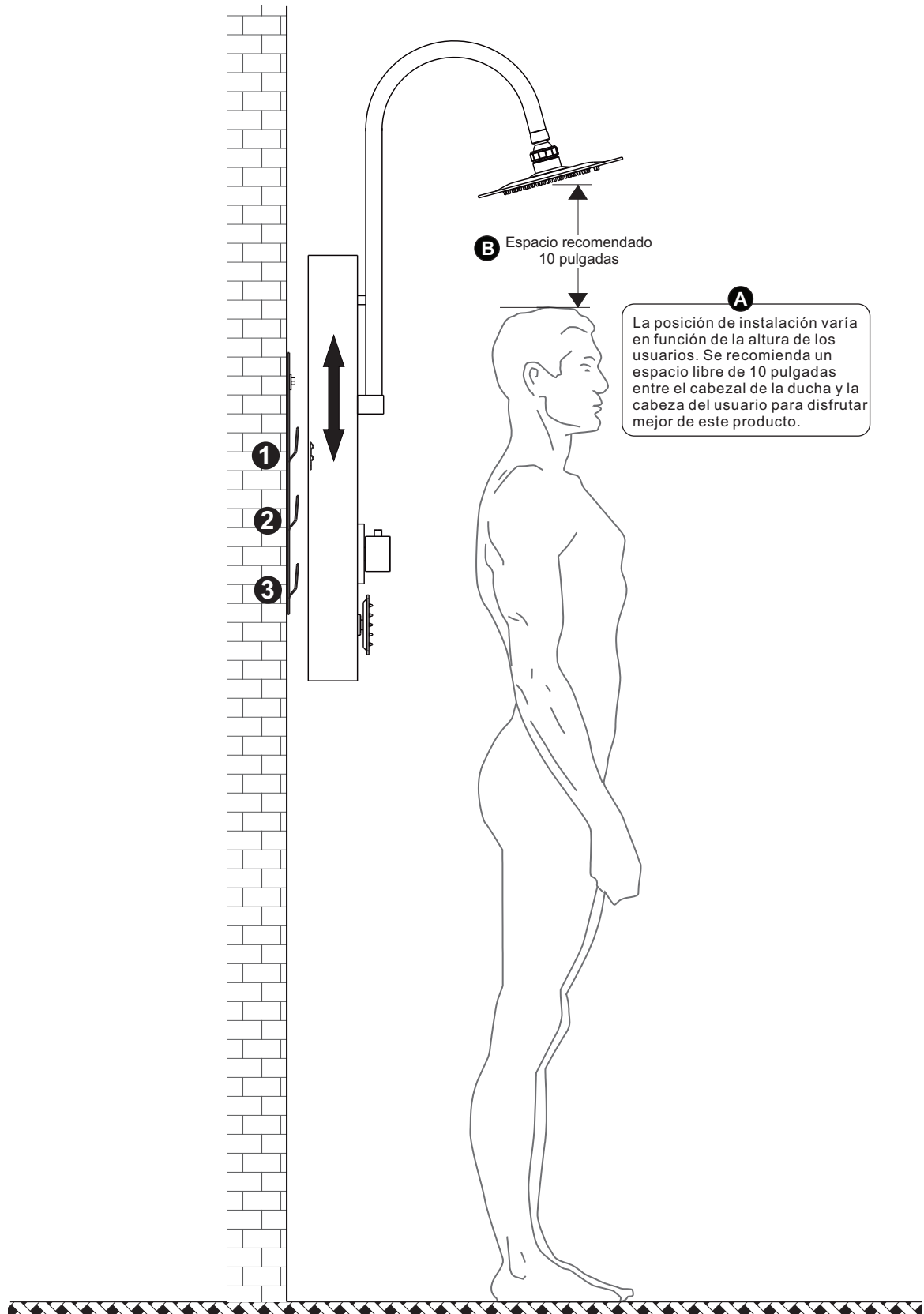
Instale previamente una junta de filtro (pieza 3) al conector acodado (pieza 14). A continuación, fije el conector acodado (pieza 14) a la junta de extensión de latón (pieza 15) y apriete en el sentido de las agujas del reloj.



- Una vez realizadas todas las conexiones en el interior del panel, éste puede ser colgado a la pared de la ducha.
- Se pueden seleccionar tres alturas diferentes de instalación.
- Se recomienda un espacio libre de diez pulgadas entre el cabezal de la ducha y la cabeza del usuario más alto.
- Coloque el panel de ducha en la posición seleccionada de la placa de soporte.
- Levante el panel de ducha y apóyelo contra la placa de soporte hasta que el gancho del panel de ducha se introduzca en el gancho seleccionado.
- Una vez haya verificado que la instalación es sólida y que todas las piezas del conducto principal de alimentación de PVC se encuentran colocadas en la parte posterior del panel de ducha, se puede sellar el espacio entre el armazón del panel de ducha y la pared, previniendo de esta forma la introducción de agua en la parte posterior del panel de ducha.

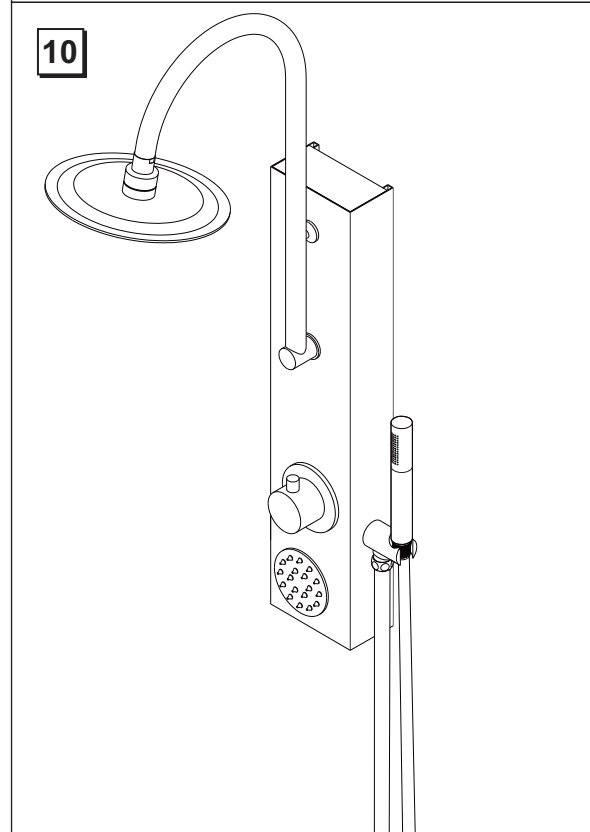
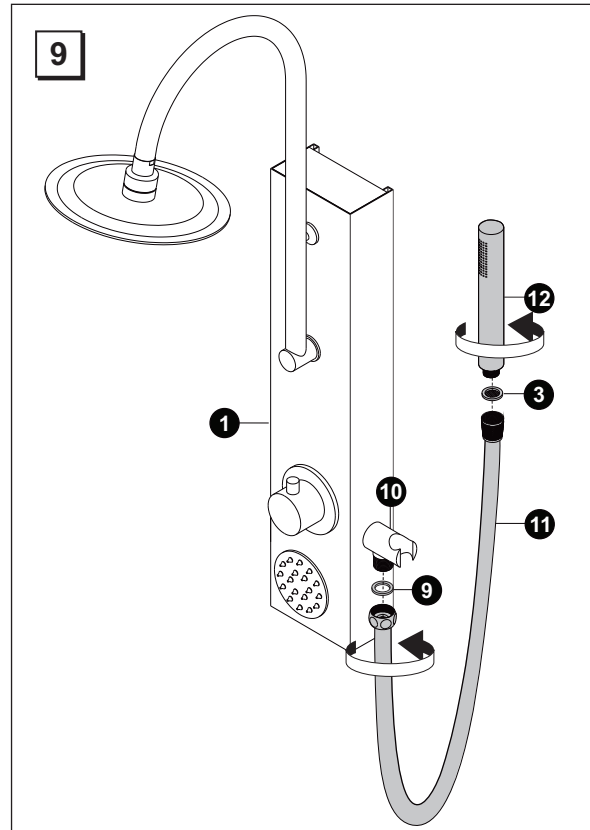


INSTRUCCIONES DE INSTALACIÓN



INSTRUCCIONES DE ENSAMBLAJE E INSTALACIÓN

- Coloque una junta tórica (pieza 9) en la manguera de la ducha teléfono (pieza 11). A continuación, fije la manguera de la ducha teléfono (pieza 11) al ensamblaje de la horquilla para la ducha teléfono (pieza 10), apretando en el sentido de las agujas del reloj.
- Coloque una junta tórica (pieza 3) en la manguera de la ducha teléfono (pieza 11). A continuación, fije la ducha teléfono (pieza 12) a la manguera (pieza 11), apretando en el sentido de las agujas del reloj.



Datos técnicos

Presión operativa máxima:	125psi
Presión recomendada:	50~80psi
Presión de prueba:	45psi , 125psi
Temperatura de agua caliente recomendada:	93.2~107.6°F
Caudal a 80 psi:	<2.0gpm

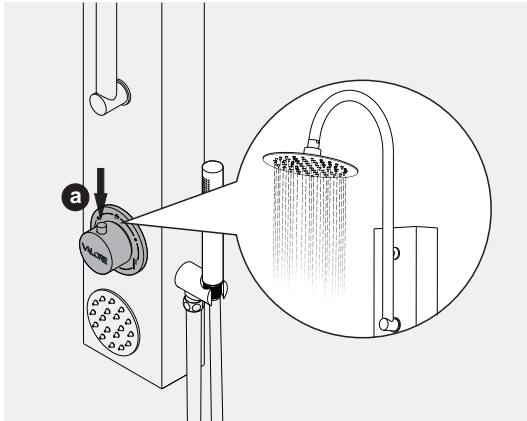
* Por cuestiones de seguridad, es altamente recomendable que se familiarice con todos los códigos locales antes de proceder a la instalación de este producto.

Cómo utilizar la válvula desviadora y selectora de función

NOTA: En primer lugar, abra el grifo.

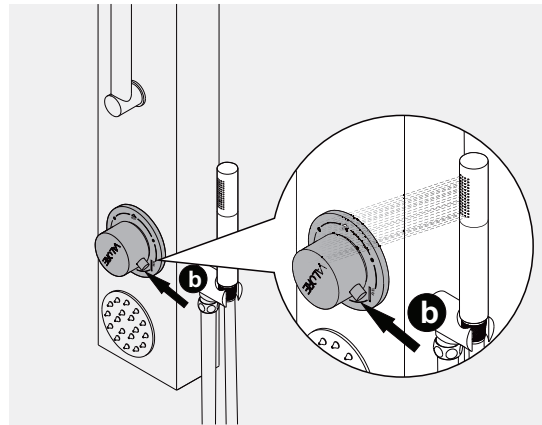
• Función Cabezal de ducha

Cuando el mando está en la posición "a".



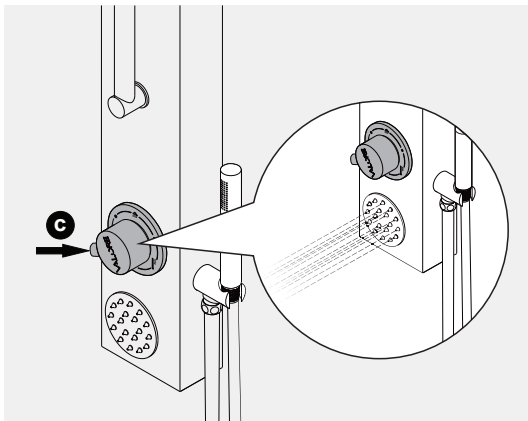
• Función Ducha teléfono

Cuando el mando está en la posición "b".



• Función Chorro Pulverizado

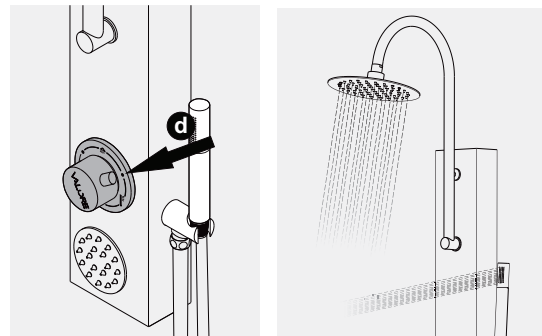
Cuando el mando está en la posición "c".



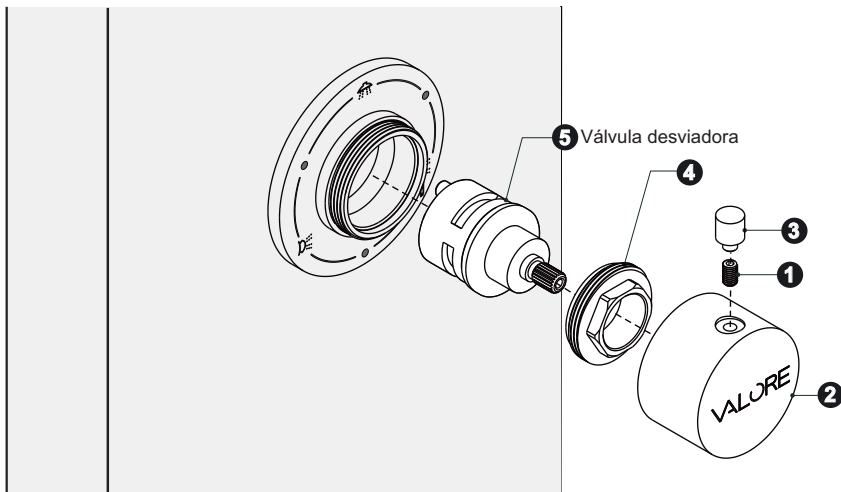
• Selección simultánea de dos modos

Cuando el mando está situado entre dos posiciones, el agua se distribuye entre dos funciones. Esta opción puede ser seleccionada para la utilización simultánea de dos funciones. Sin embargo, el caudal de agua se verá reducido al compartirse entre dos funciones diferentes.

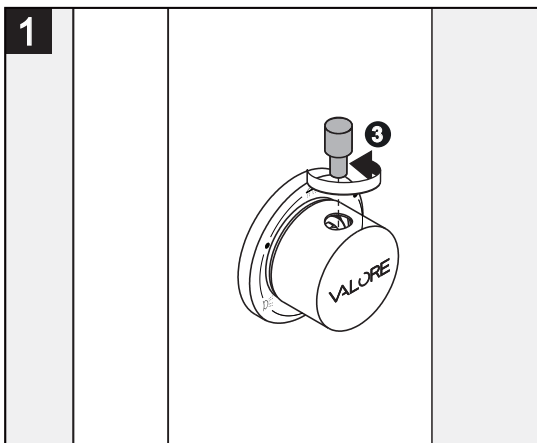
Cuando el mando está en la función "d", la ducha teléfono y el cabezal de ducha funcionan de manera simultánea.



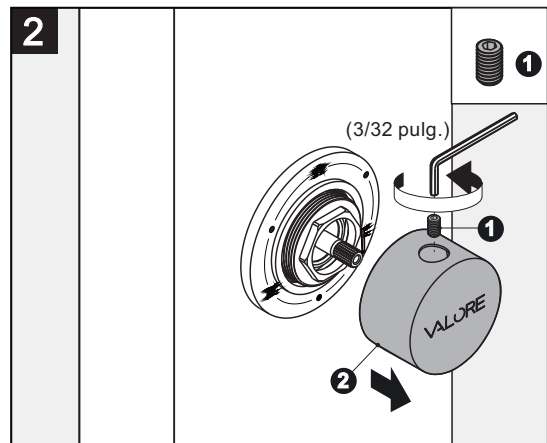
Estructura de la válvula desviadora y selectora de función



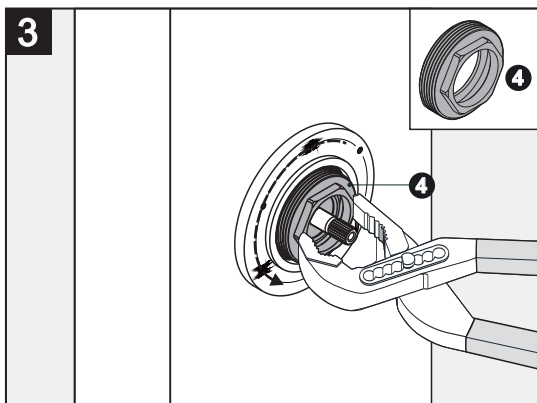
Cómo retirar la válvula desviadora y selectora de función



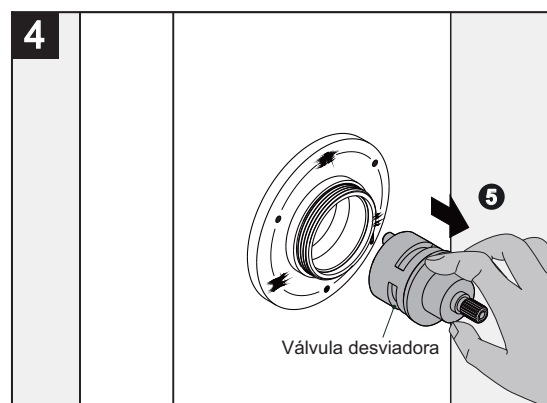
- Extraiga la manilla para visibilizar el orificio de acceso al tornillo de ajuste.



- Afloje el tornillo de ajuste (no 1) de la barra de la válvula y extraiga la manilla (no 2) tirando de ella.

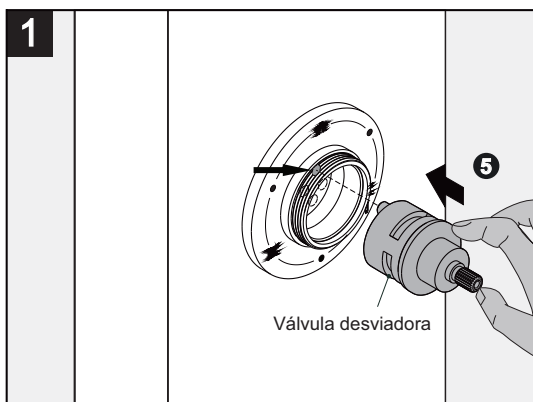


- Afloje y retire la tuerca libre (no 4).

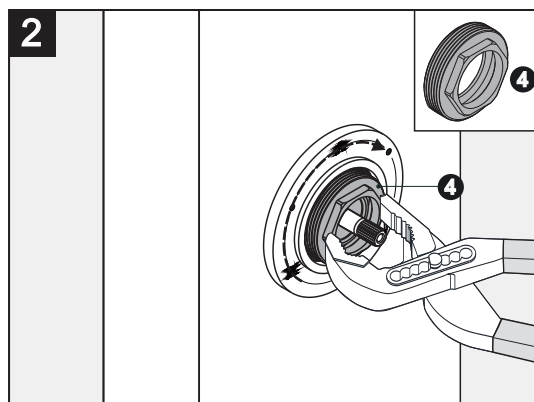


- Tire suavemente de la válvula desviadora (no 5) para extraerla.

Cómo instalar la válvula desviadora y selectora de función

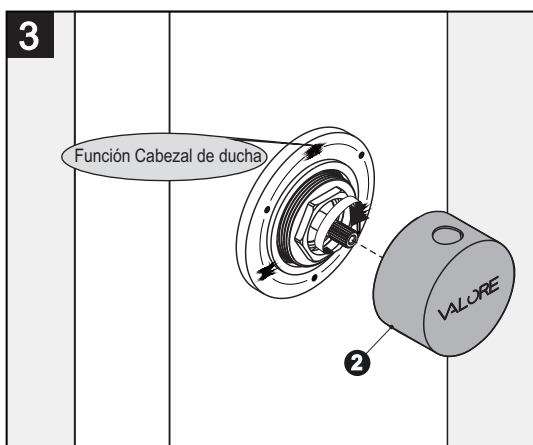


- Coloque la válvula desviadora (no 5) en el cuerpo de la válvula. Asegúrese de que una de las barras inferiores de la válvula (no 5) está alineada con el orificio posterior del cuerpo de la válvula.

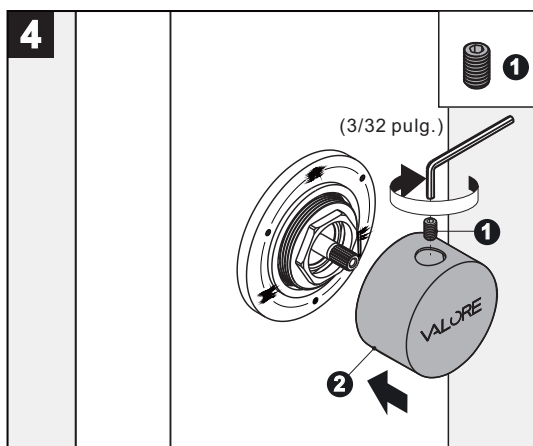


- Apriete la tuerca libre (no 4). Tome la precaución de evitar arañar la placa decorativa. No apriete demasiado la tuerca.

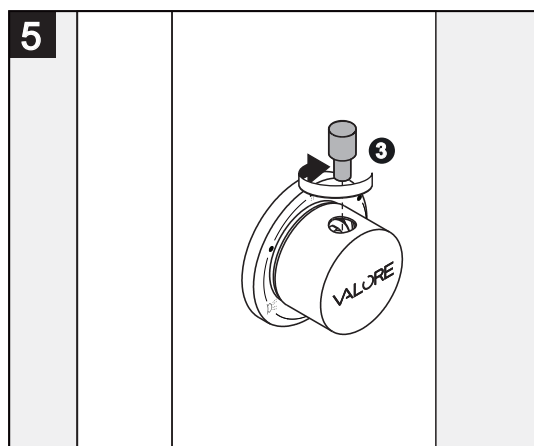
Ajuste el mando en la posición correcta



- Instale el mando (no 2) sobre la barra de la válvula.
- Antes de fijar el mando, abra el agua para saber hacia dónde debe apuntar la manilla.

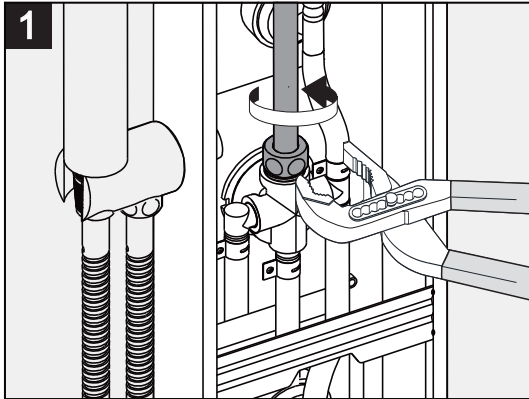


- Una vez haya determinado la posición correcta, coloque el mando sobre la barra de la válvula y apriete el tornillo de ajuste (no 1), con precaución de no apretarlo demasiado.

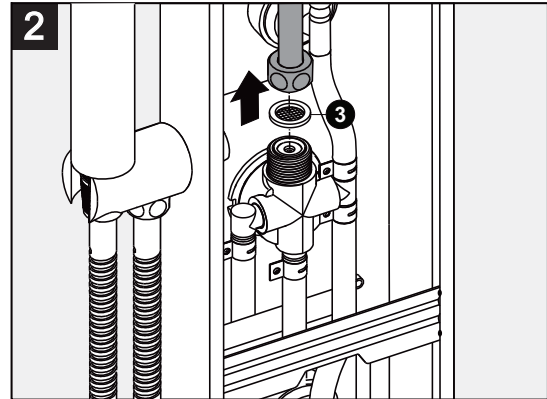


- Apriete la manilla (no 3) para finalizar la instalación.

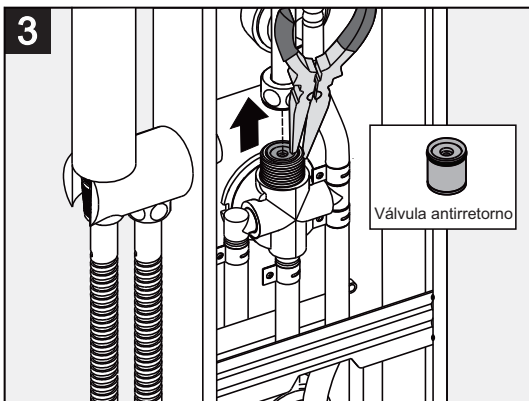
Cómo sustituir la válvula desviadora y selectora de función



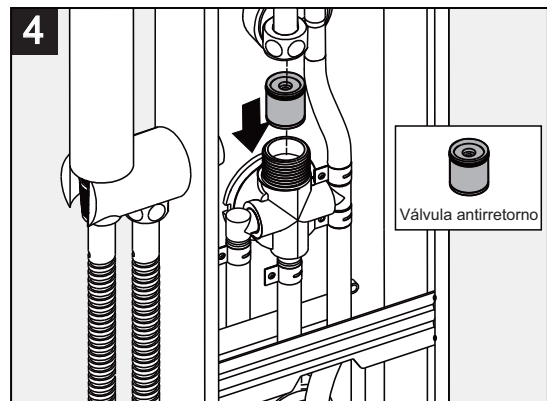
- Afloje la tuerca de seguridad que une la manguera flexible de PVC al cuerpo de la válvula de latón.



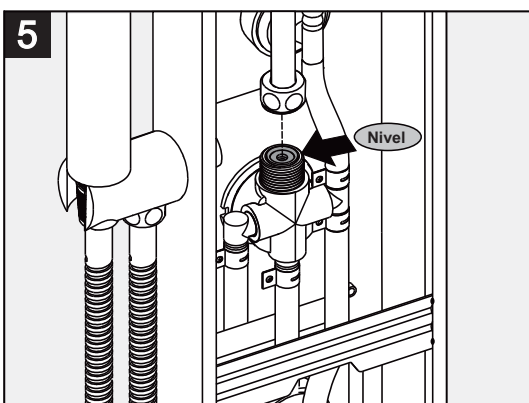
- Desconecte la manguera de PVC del cuerpo de la válvula y retire la junta del filtro (pieza 3).



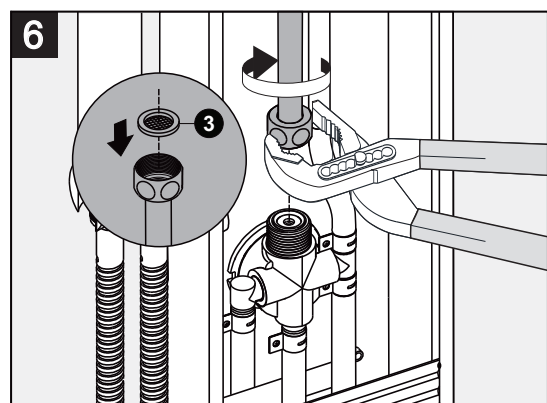
- Con alicates cigüeña, sujete el borde de la válvula antirretorno y tire de ella.



- Coloque la nueva válvula antirretorno en el cuerpo de la válvula. Asegúrese de que la orientación de la válvula es correcta.



- Asegúrese de que válvula antirretorno esté al mismo nivel que el orificio del cuerpo de válvula.



- Coloque la junta del filtro (pieza 3) en el lugar indicado y fije la manguera de PVC al cuerpo de la válvula para terminar la instalación.

Consejos de limpieza

Los grifos y elementos de ducha modernos utilizan una combinación de materiales que respetan las necesidades del mercado en materia de diseño y funcionalidad. Para evitar su daño o deterioro, extreme la precaución en su limpieza. La garantía no cubre los daños causados por un tratamiento indebido.

Productos de limpieza para grifos y duchas

- Para eliminar la cal, utilice exclusivamente productos diseñados especialmente para este fin y siga siempre las instrucciones indicadas por el fabricante.
- No utilice productos de limpieza que contengan ácidos clorhídricos, fórmicos, acéticos o fosfóricos, pues podrían causar importantes daños en los acabados y los elementos de plástico.
- Nunca mezcle productos de limpieza.
- Nunca utilice productos de limpieza que contengan sustancias abrasivas. No utilice esponjas, trapos o estropajos abrasivos.

Método de limpieza

- Limpie regularmente los grifos y elementos de ducha para evitar acumulaciones de cal y manchas de agua. Siga las instrucciones del fabricante. No permita que los productos de limpieza permanezcan sobre el panel de ducha más tiempo del necesario.
- En caso de utilizar productos de limpieza con vaporizador, no aplique el producto directamente sobre el panel de ducha, sino en una esponja o trapo de limpieza.
- Utilice agua limpia para enjuagar los residuos del producto de limpieza y la suciedad.

Importante

- Los residuos de jabón y champú también podrían dañar el panel de ducha, por lo que es conveniente su enjuagado con agua limpia después de cada uso.
- Si la superficie ya está dañada, algunos potentes productos de limpieza podrían dañarla aún más.

Solución de problemas

Problema	Causas posibles	Solución
Caudal de agua débil	- Presión de suministro inadecuada	- Compruebe la presión de agua (si se instaló una bomba, asegúrese de que funciona correctamente)
	- Las juntas de los filtros están sucias	- Limpie las juntas de los filtros entre el panel y la manguera
El panel de ducha gotea continuamente	- Suciedad o sedimentos en el asiento de válvula	- Limpie o reemplace el dispositivo de cierre

GARANTÍA LIMITADA

Valore (en adelante "vendedor") así como la persona o la entidad que adquiere esta mercancía del vendedor (en adelante "comprador") aceptan, por la presente, las siguientes condiciones generales de venta: Es responsabilidad del comprador abonar los gastos de envío tanto en el caso de portes pagados como en el de cobro en destino. El vendedor no asume responsabilidad alguna sobre la mercancía vendida al comprador a partir del momento en el que dicha mercancía es expedida de las instalaciones del vendedor. Esto incluye, pero sin limitarse a ello, entregas realizadas con retraso por el transportista o cualquier dificultad derivada de la entrega de la mercancía en el comercio o residencia del comprador, debido al tamaño de la mercancía. El comprador asume la responsabilidad de la entrega y del pago de los gastos de envío, así como del acceso, mediciones, instalación, conexión, cableado, desplazamiento y almacenamiento de la mercancía. El transporte de la mercancía está sujeto a las condiciones generales que impone el transportista al comprador, lo que incluye, pero sin limitarse a ello, a gastos adicionales por subir escaleras o resultantes de la incapacidad del transportista para la utilización de forma segura o adecuada del ascensor del edificio para transportar la mercancía a una planta superior. Toda reclamación por daños incurridos durante el envío de la mercancía estará asegurada y tratada directamente por el seguro del transportista. Valore atenderá directamente cualquier daño derivado de defectos de fabricación, conforme a la garantía limitada.

Todas las ventas serán definitivas y, a menos que el vendedor proporcione una autorización escrita, el comprador no podrá devolver la mercancía, bajo ninguna circunstancia. En caso de que el comprador rechace la mercancía, el comprador es responsable, independientemente de la situación, de los gastos de transporte en ambas direcciones. En caso de que el vendedor acepte la devolución de la mercancía, puede producirse, además de los gastos de envío, un recargo del 20% sobre el precio de compra de la mercancía. El comprador deberá comunicar al vendedor de la falta de conformidad de la mercancía en un plazo máximo de siete (7) días contados a partir de la fecha de su recepción. Transcurrido este plazo, la mercancía se considerará aceptada. En caso de haberse iniciado la producción de un pedido, el coste de cancelación corresponderá al 20% del precio de compra.

La garantía limitada no cubre los daños derivados de circunstancias tales como accidentes, malos usos o tratos, negligencia, causas de fuerza mayor, incendios, terremotos, inundaciones, vientos fuertes, órdenes gubernamentales, guerras, disturbios o disputas laborales como huelgas o clausuras, retrasos del transportista en la entrega, reparaciones no autorizadas o toda situación más allá del control del vendedor, similar o no a los elementos enumerados. El vendedor no se hace responsable de los daños causados por el mal uso, mal trato o utilización negligente de la mercancía por parte del comprador. La garantía limitada es válida exclusivamente en la zona continental de Estados Unidos o Canadá (quedando excluidos Alaska, Puerto Rico, Hawái, el Yukón, los Territorios del Noroeste y el Nunavut). La garantía limitada no es transferible entre Canadá y Estados Unidos.

La garantía limitada sólo se considera válida con el comprobante de compra de un distribuidor autorizado de productos Valore.

El vendedor no se responsabiliza de los gastos de mano de obra derivados de servicios de mantenimiento o instalación.

El vendedor no se responsabiliza de los daños directos o indirectos y por tanto no hay garantías, expresas o implícitas, aplicables más allá de la garantía anteriormente descrita. Las garantías de comercialización o de conformidad para una fin determinado se deniegan expresamente por el presente documento. Algunos estados no permiten la exclusión de daños directos o indirectos o la exención de garantías implícitas de comercialización o de conformidad, por lo que las restricciones de anteriores pueden no aplicarse en su caso. Esta garantía le otorga derechos legales específicos y es posible que usted goce de otros derechos, los cuales pueden variar de un estado a otro.

DURACIÓN DE LA GARANTÍA

Garantía de un año contra todo defecto de fabricación.

Garantía limitada de por vida sobre las piezas de la válvula desviadora y selectora de función.

Reciclaje: La mayor parte de los materiales utilizados en la fabricación de este panel de ducha son reciclables. Por favor, deshágase de estos materiales adecuadamente y conforme a la legislación local, estatal o federal. La incorrecta eliminación de este panel de ducha puede ser perjudicial para el medio ambiente.

Si tiene más dudas sobre la utilización, garantía, devolución, reclamación o la sustitución de este producto, llame al:

Teléfono: 877-551-0484

(de lunes a viernes, de 8:30 a 17:30pm PST)

Envíenos un correo electrónico a

info@valoreusa.com (24 horas)

Para obtener más información, visite nuestro sitio Web en la dirección: www.valoreusa.com