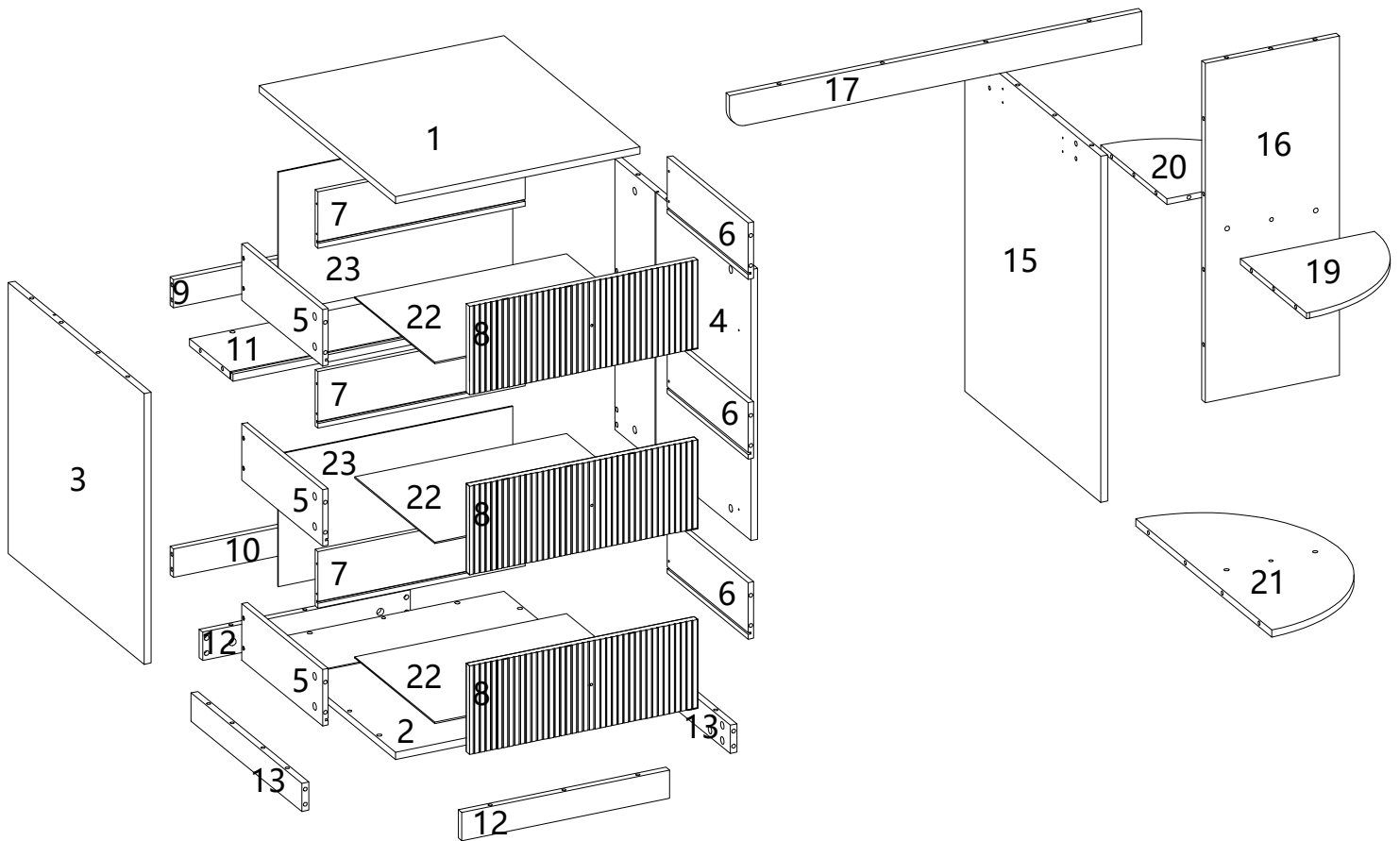
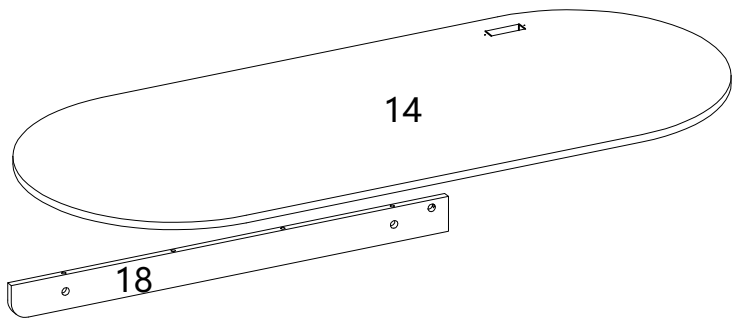
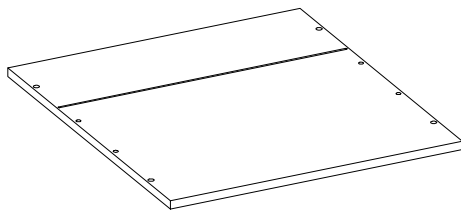


DS-DESK004W



<p>A</p> <p>62PCS</p>	<p>B</p> <p>12PCS</p>	<p>C</p> <p>74PCS</p>	<p>D</p> <p>34PCS</p> <p>Ø8*30mm</p>	<p>E</p> <p>32PCS</p> <p>M3.5*12mm</p>	<p>F</p> <p>12PCS</p> <p>M3.5*14mm</p>	<p>G</p> <p>12PCS</p> <p>M3.5*30mm</p>	<p>H</p> <p>L=350mm</p> <p>3PCS</p>	<p>J</p> <p>3PCS</p>
<p>K</p> <p>K1</p> <p>K2*2</p> <p>1PC</p>	<p>L</p> <p>2PCS</p>	<p>M</p> <p>74PCS</p>	<p>N</p> <p>3PCS</p>	<p>O</p> <p>10PCS</p>	<p>P</p> <p>12PCS</p>	<p>Q</p> <p>1PC</p> <p>Ø8*50mm</p>		

1

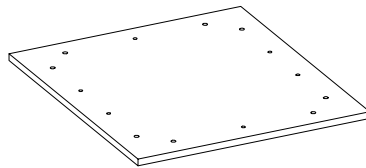
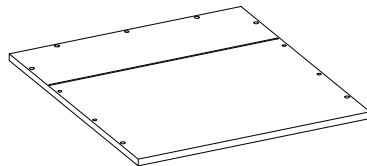


530*590*15mm

1PC

2

one side

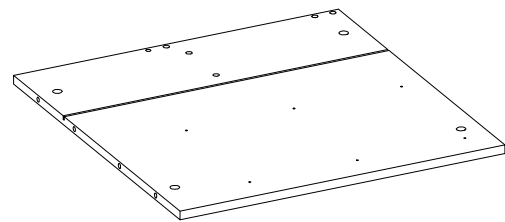


the other side

530*590*15mm

1PC

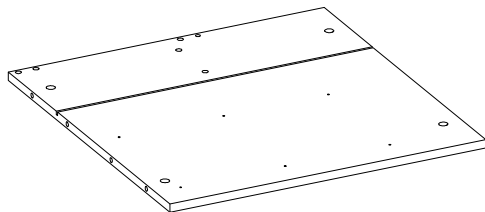
3



575*589*15mm

1PC

4

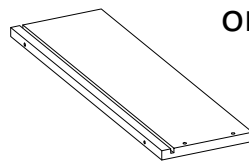


575*589*15mm

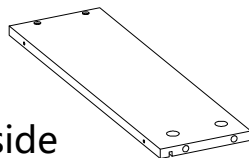
1PC

5

one side



the other side

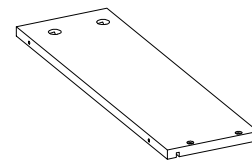


350*120*12mm

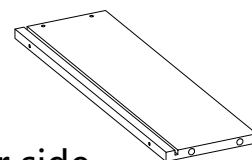
3PCS

6

one side



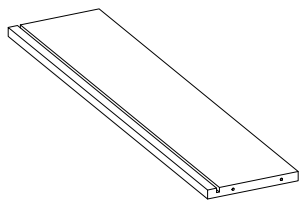
the other side



350*120*12mm

3PCS

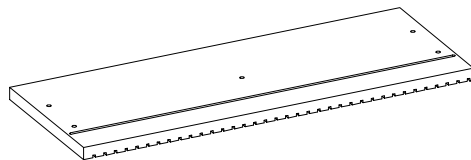
7



449*120*12mm

3PCS

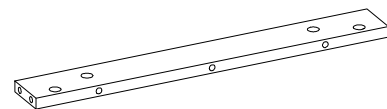
8



493*187.5*15mm

3PCS

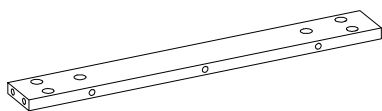
9



498*60*15mm

1PC

10

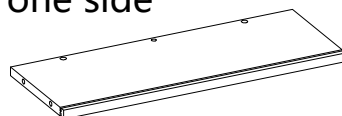


498*60*15mm

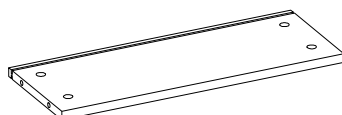
1PC

11

one side



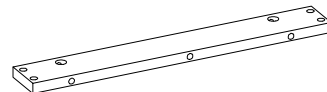
the other side



498*188*15mm

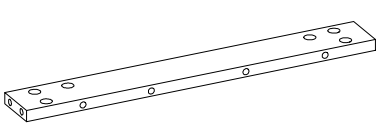
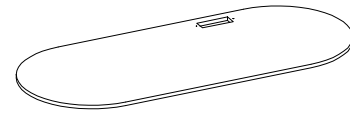
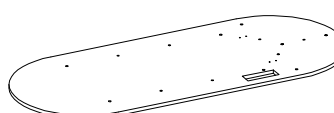
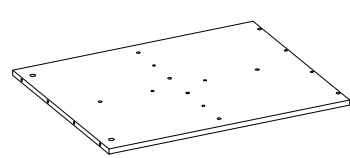
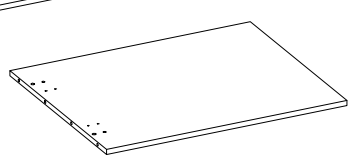
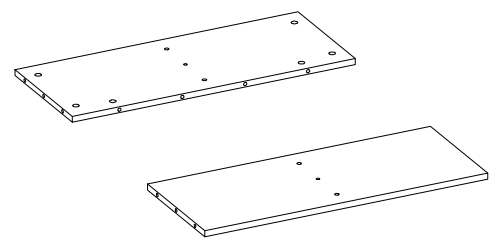
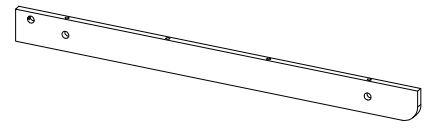
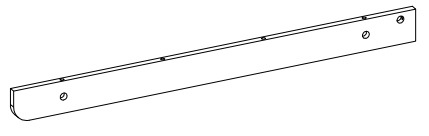
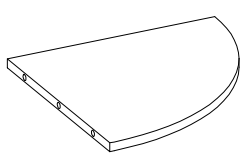
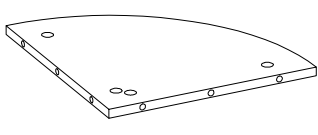
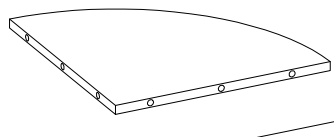
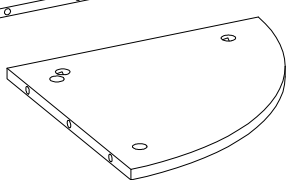
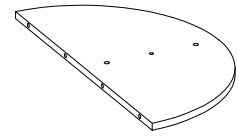
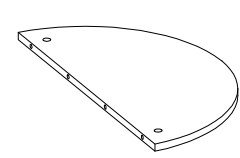
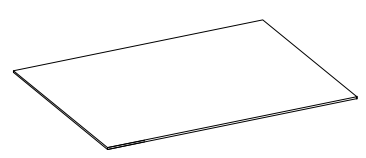
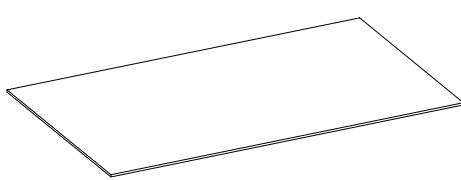
1PC

12

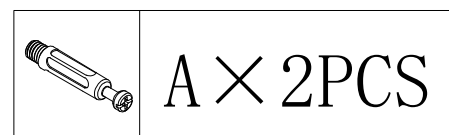
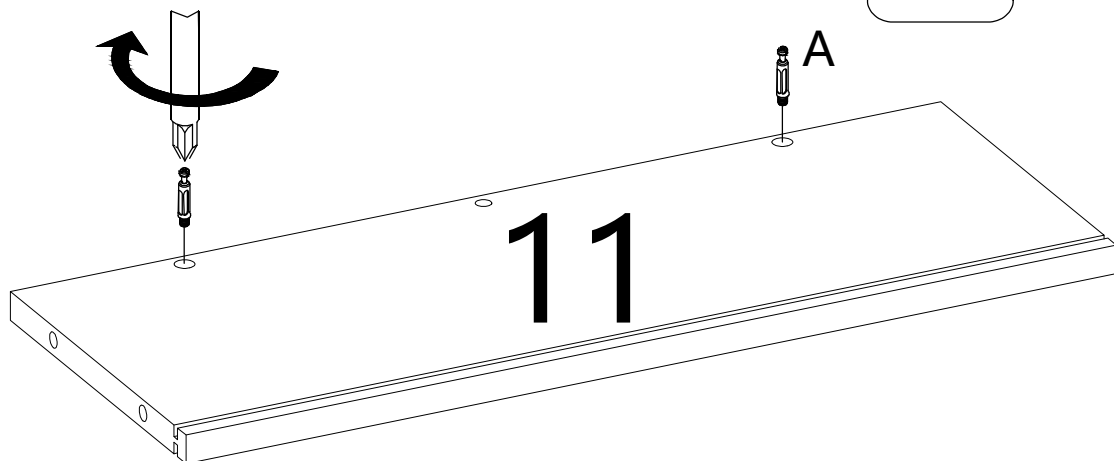


450*60*15mm

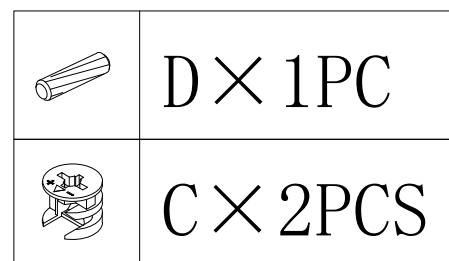
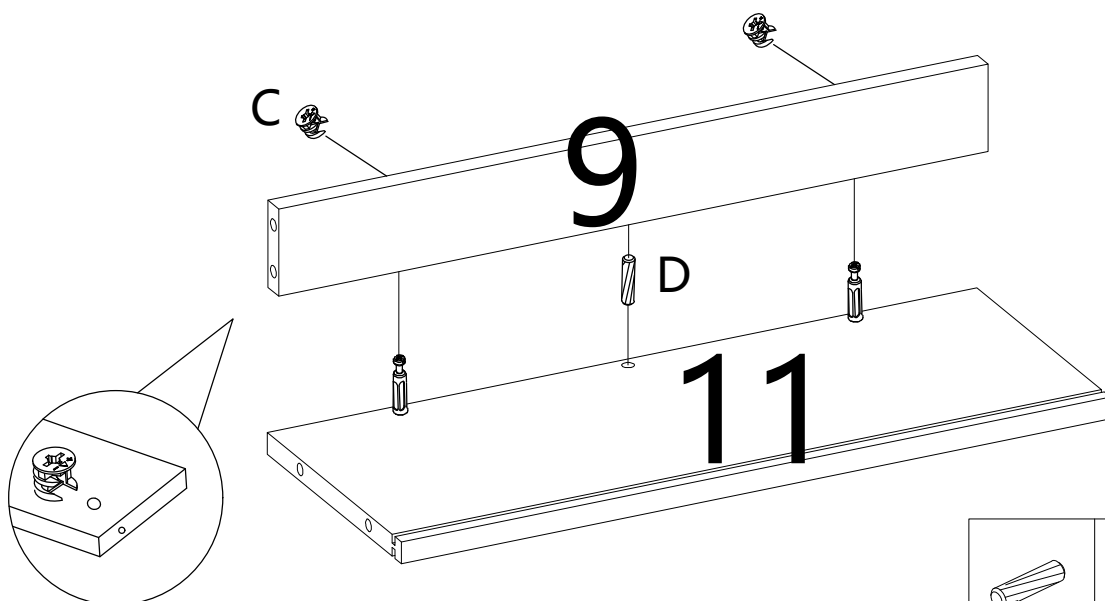
2PCS

<p>13</p>  <p>480*60*15mm 2PCS</p>	<p>14</p> <p>one side</p>  <p>the other side</p>  <p>1401*592*15mm 1PC</p>	<p>15</p> <p>one side</p>  <p>the other side</p>  <p>735*590*15mm 1PC</p>
<p>16</p>  <p>720*291*15mm 1PC</p>	<p>17</p>  <p>894*70*15mm 1PC</p>	<p>18</p>  <p>894*70*15mm 1PC</p>
<p>19</p> <p>one side</p>  <p>the other side</p>  <p>287*287*12mm 1PC</p>	<p>20</p> <p>one side</p>  <p>the other side</p>  <p>287*287*12mm 1PC</p>	<p>21</p> <p>one side</p>  <p>the other side</p>  <p>590*292*15mm 1PC</p>
<p>22</p>  <p>459*347*3mm 3PCS</p>	<p>23</p>  <p>508*289*3mm 2PCS</p>	

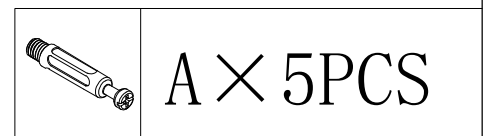
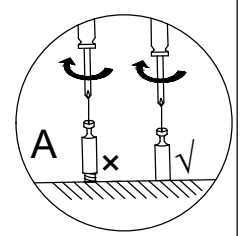
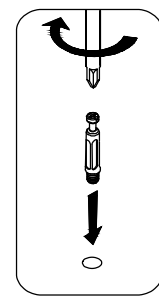
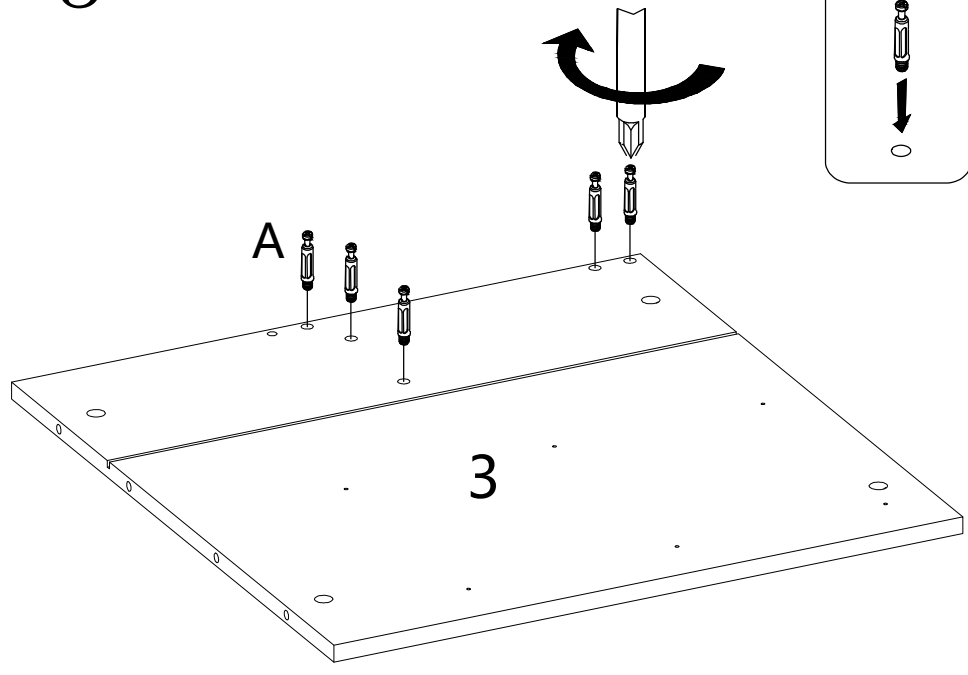
STEP 1



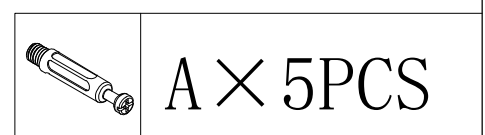
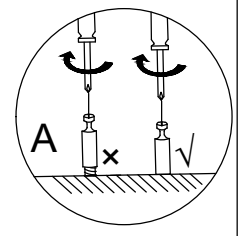
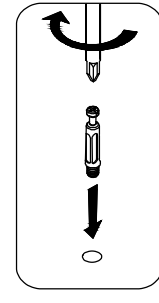
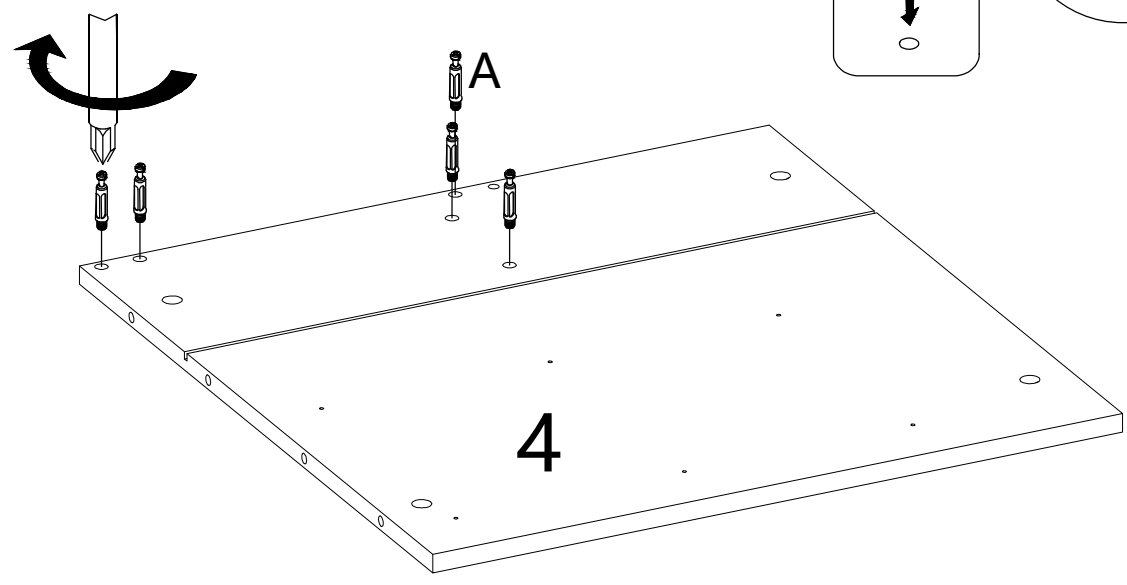
STEP 2



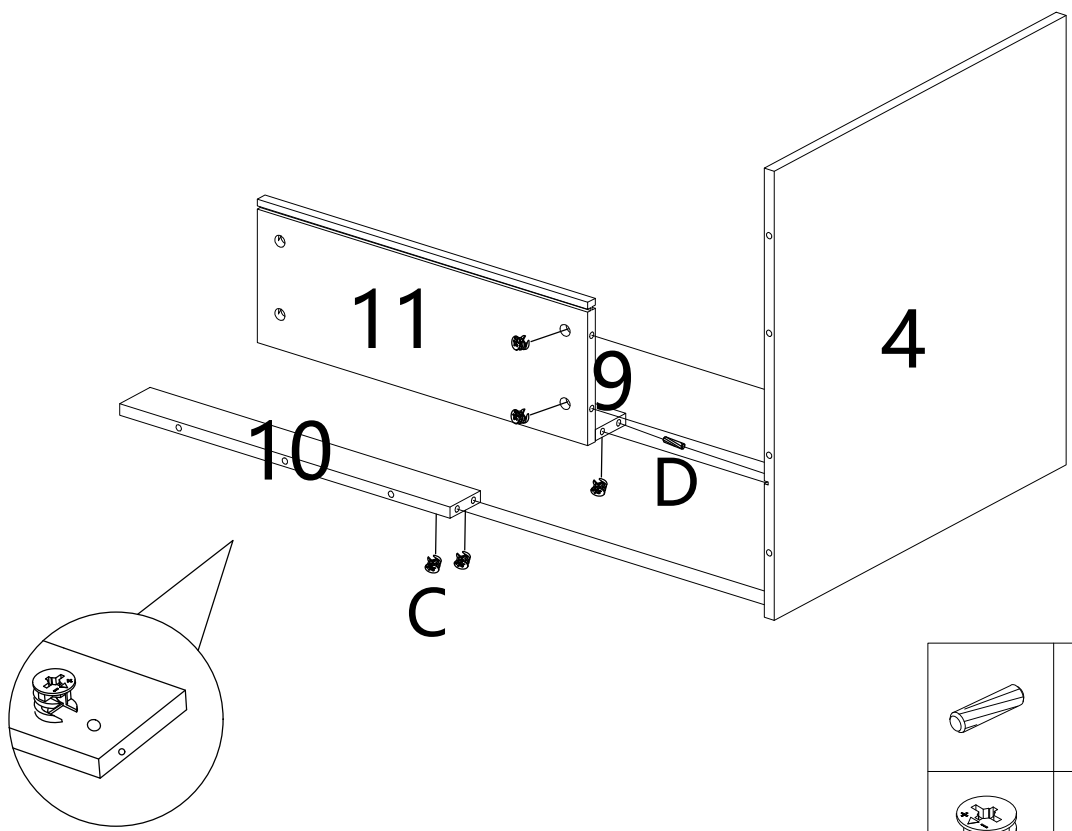
STEP 3

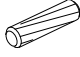



STEP 4

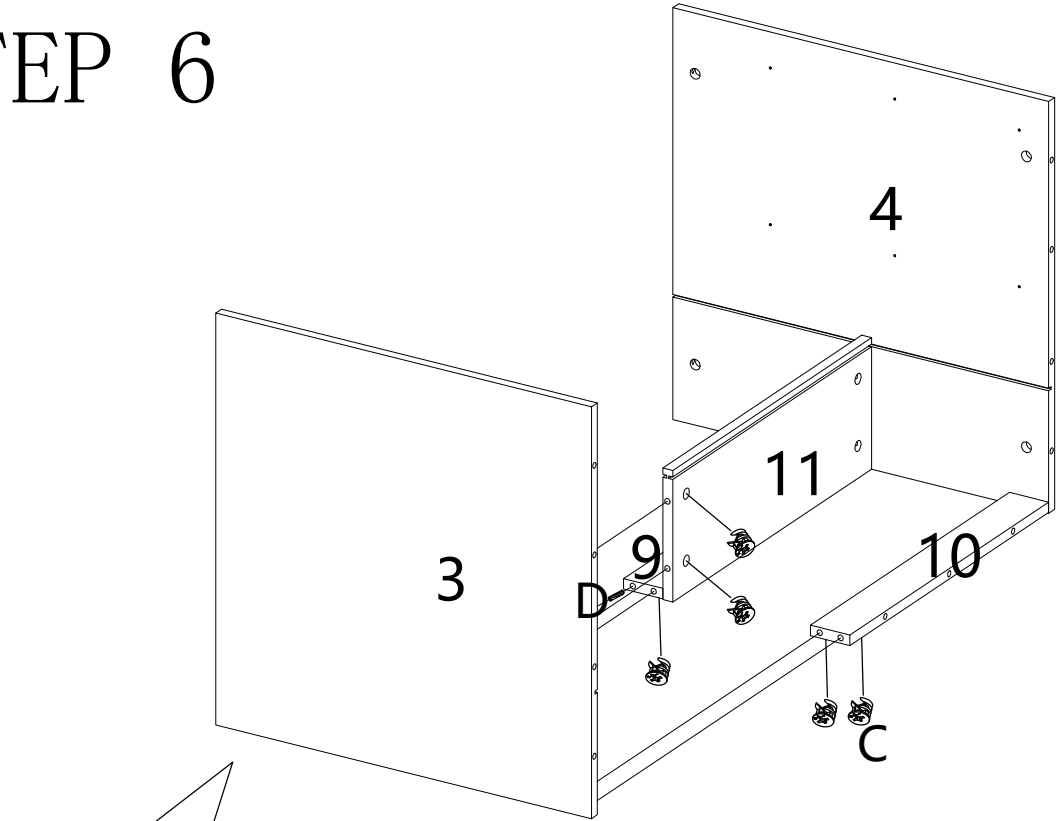


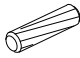
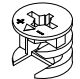
STEP 5



	D × 1PC
	C × 5PCS

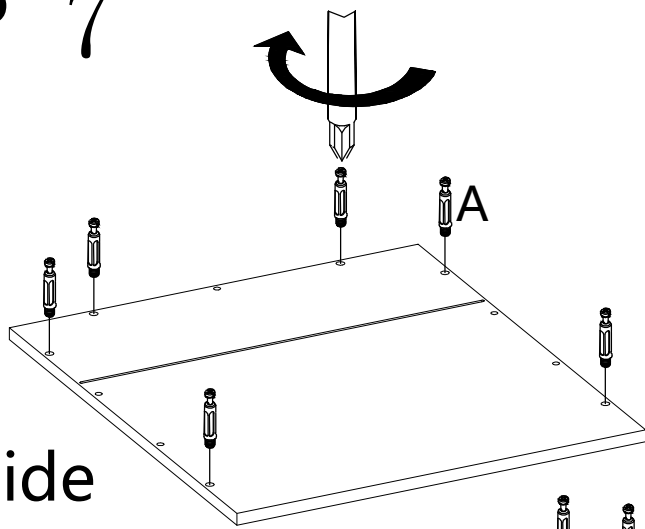
STEP 6



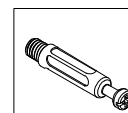
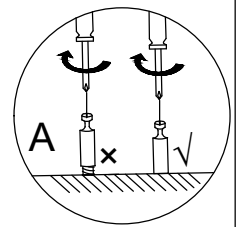
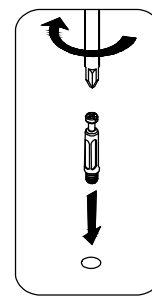
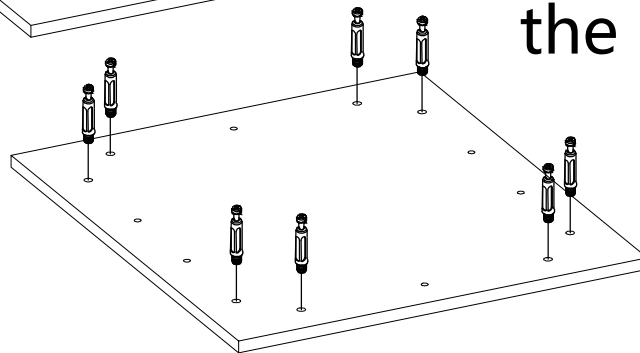
	D × 1PC
	C × 5PCS

STEP 7

one side

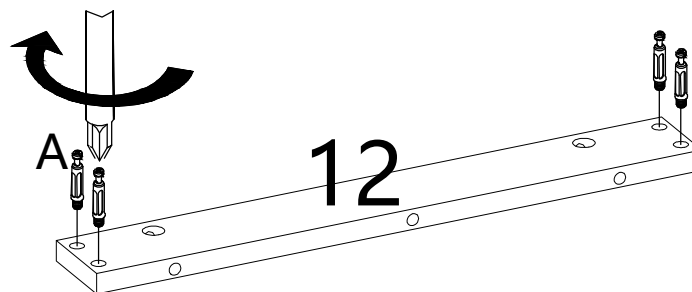


the other side

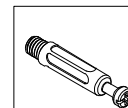
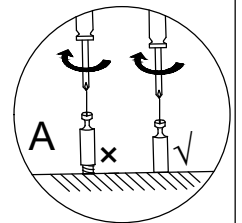
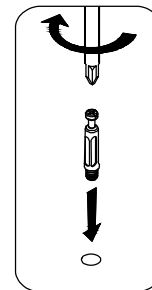


A × 14PCS

STEP 8

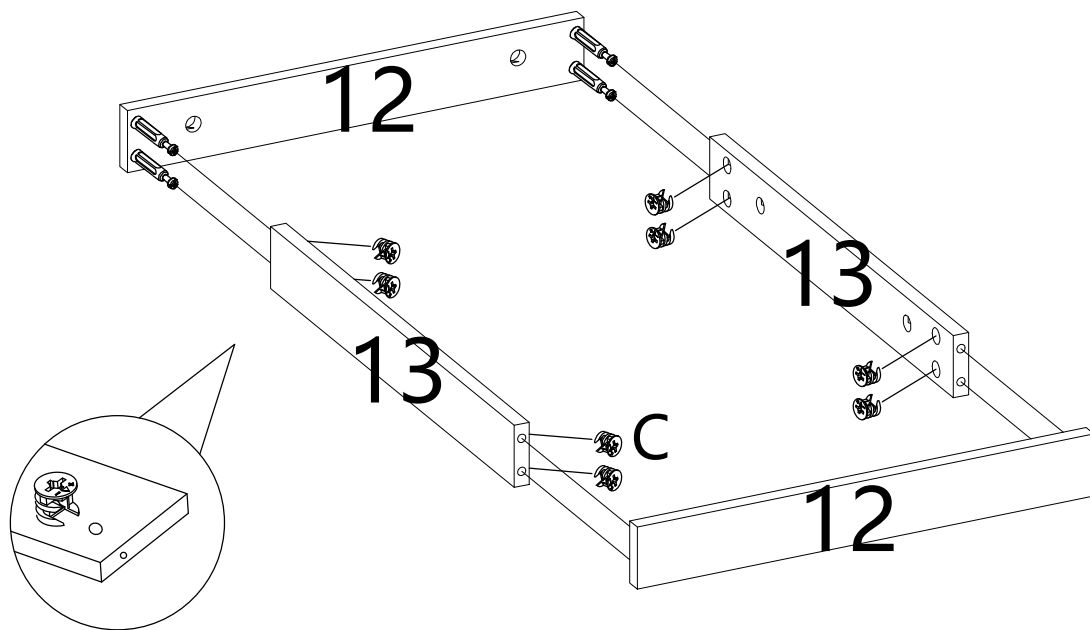



X2



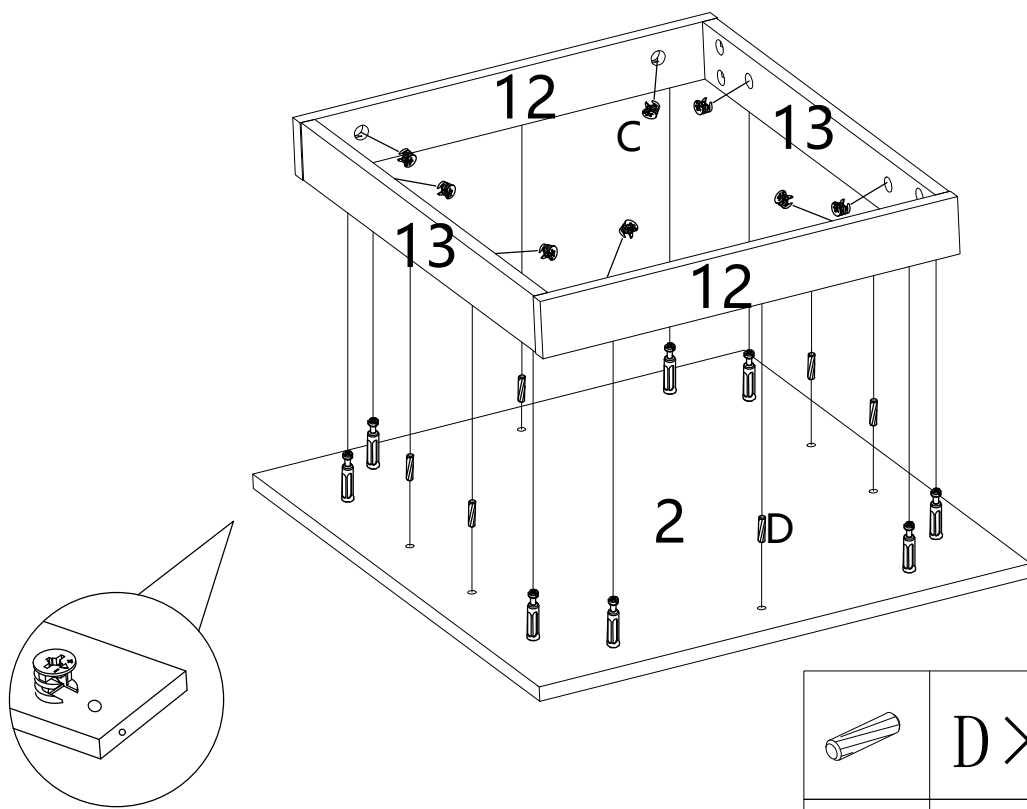
A × 8PCS

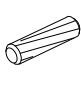
STEP 9




	C × 8PCS
---	----------

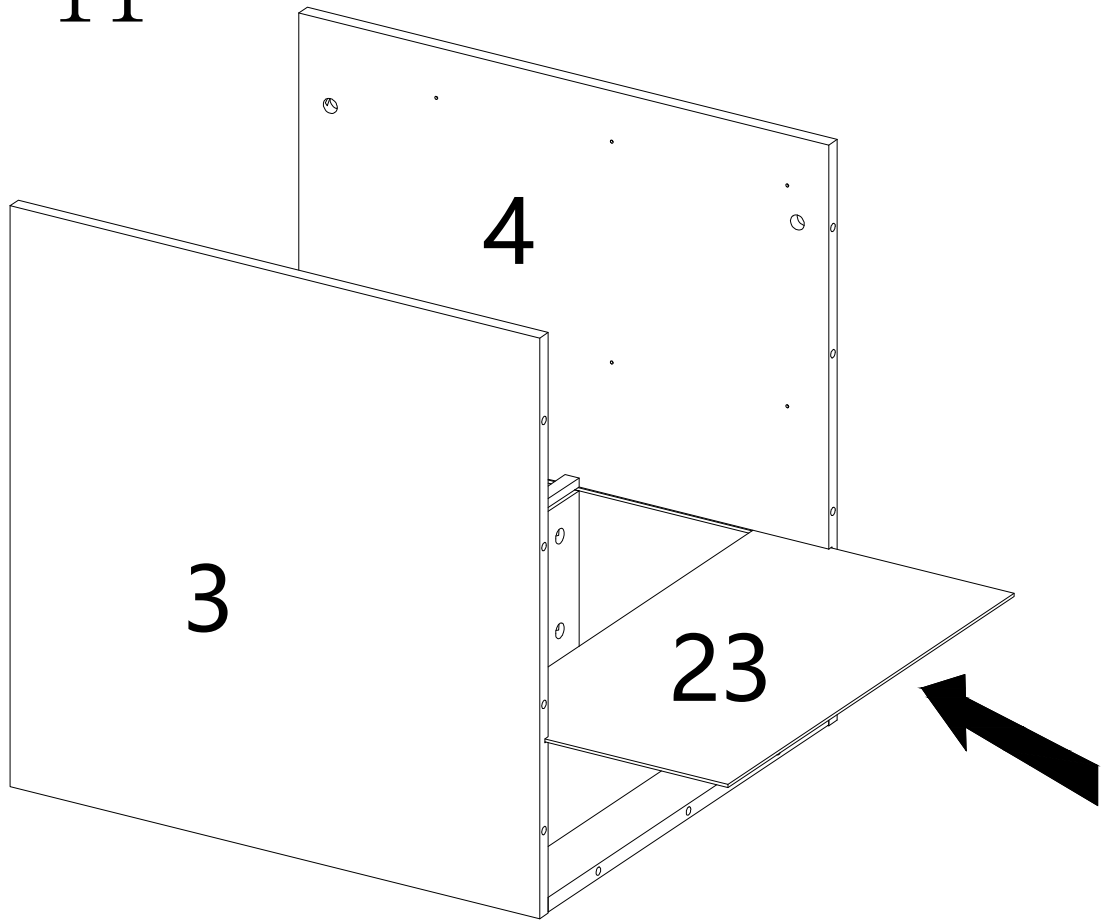
STEP 10



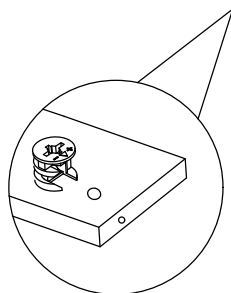
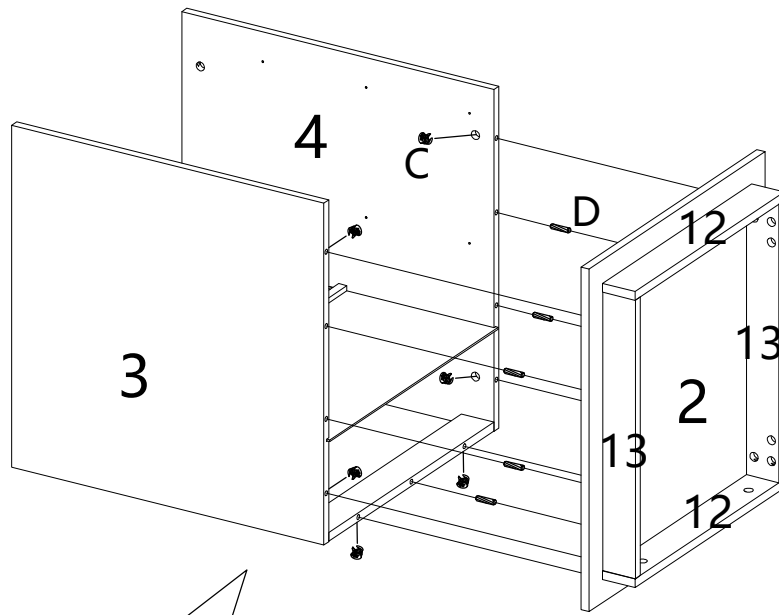
	D × 6PCS
---	----------

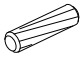

	C × 8PCS
---	----------

STEP 11

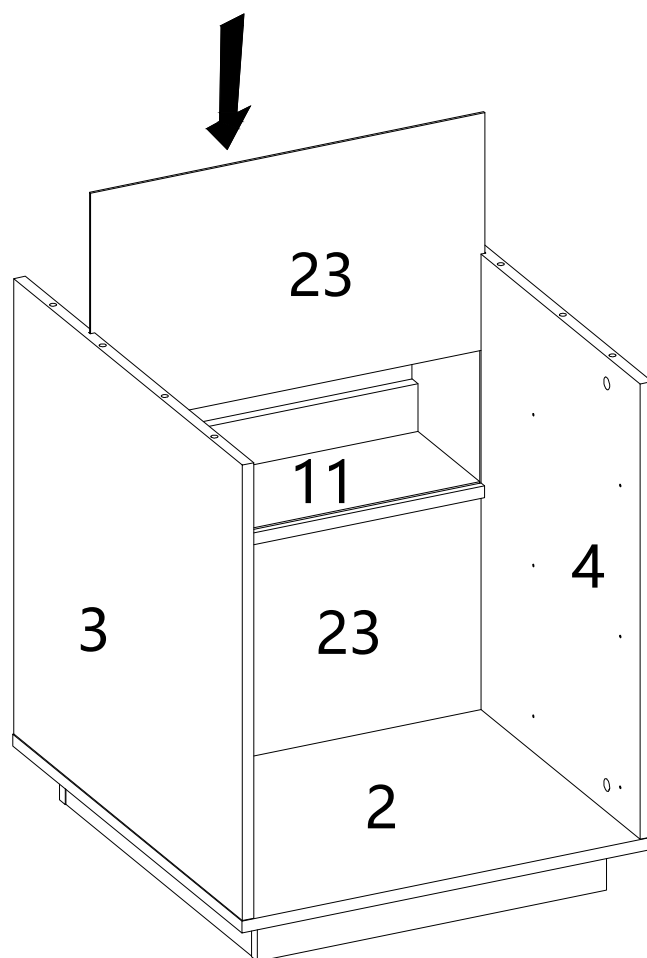


STEP 12

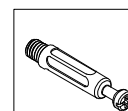
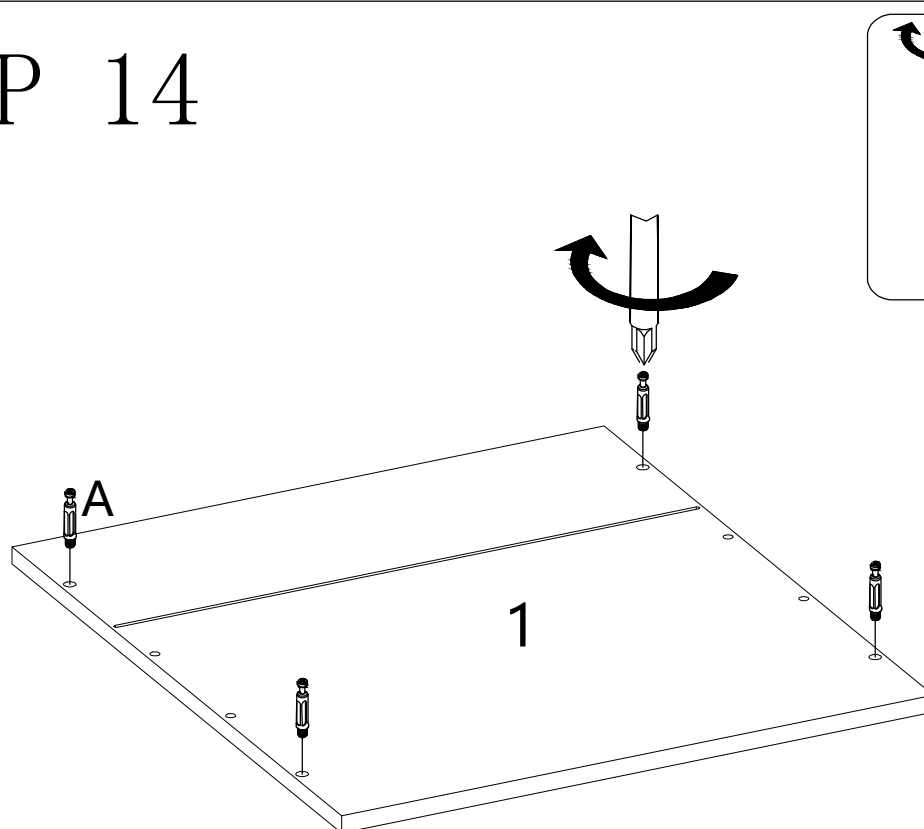


	D × 5PCS
	C × 6PCS

STEP 13

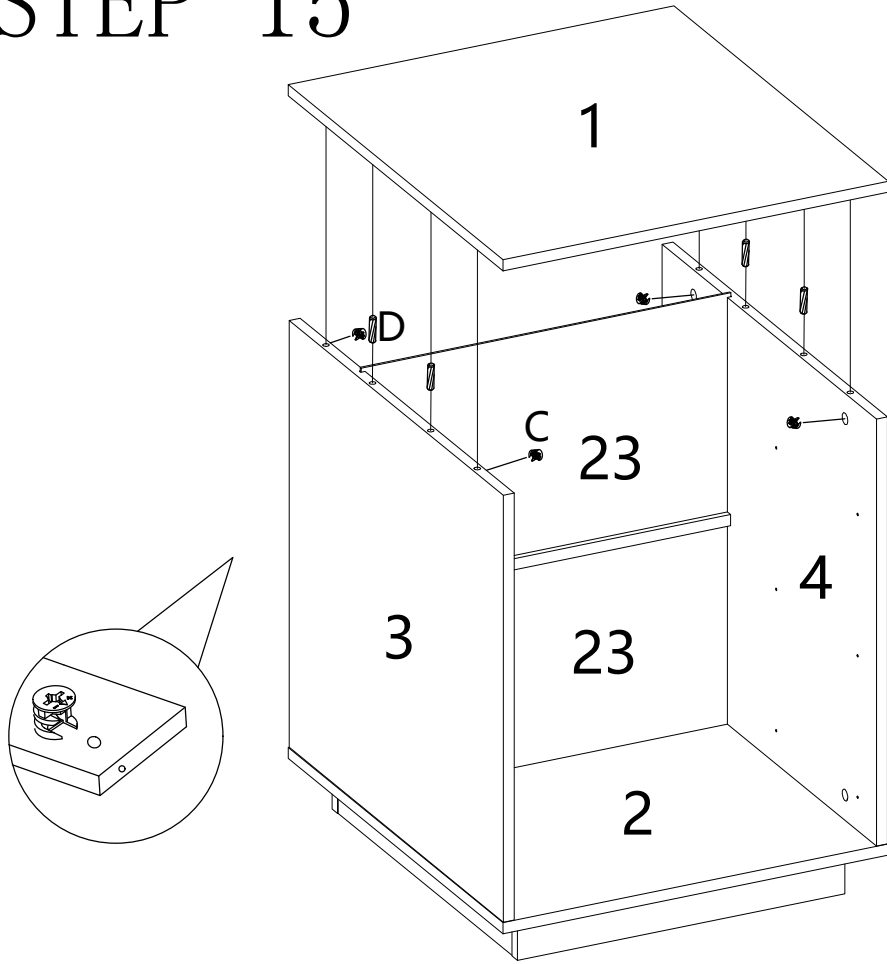


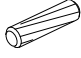

STEP 14



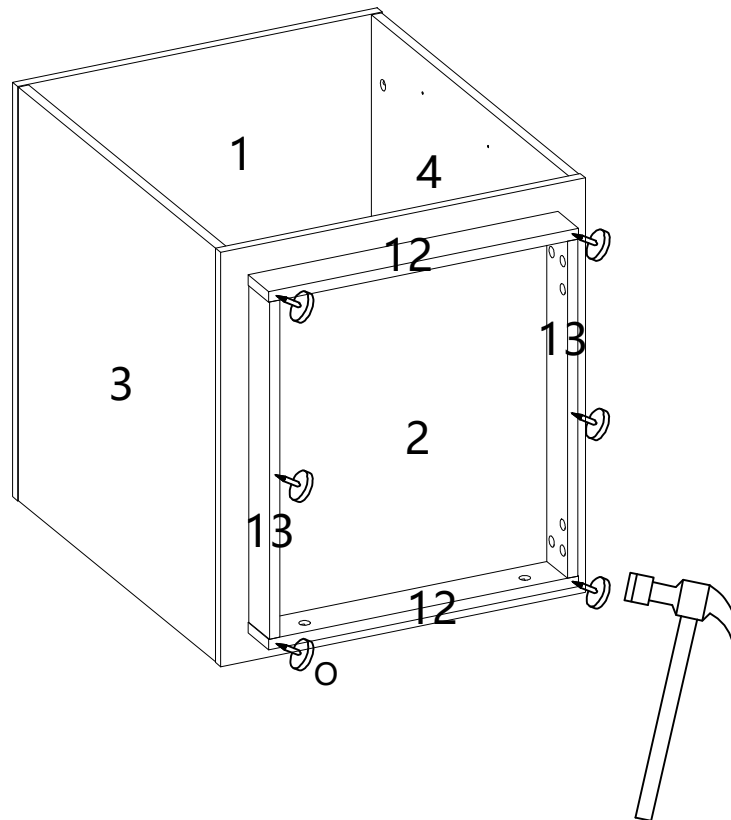
A × 4PCS


STEP 15



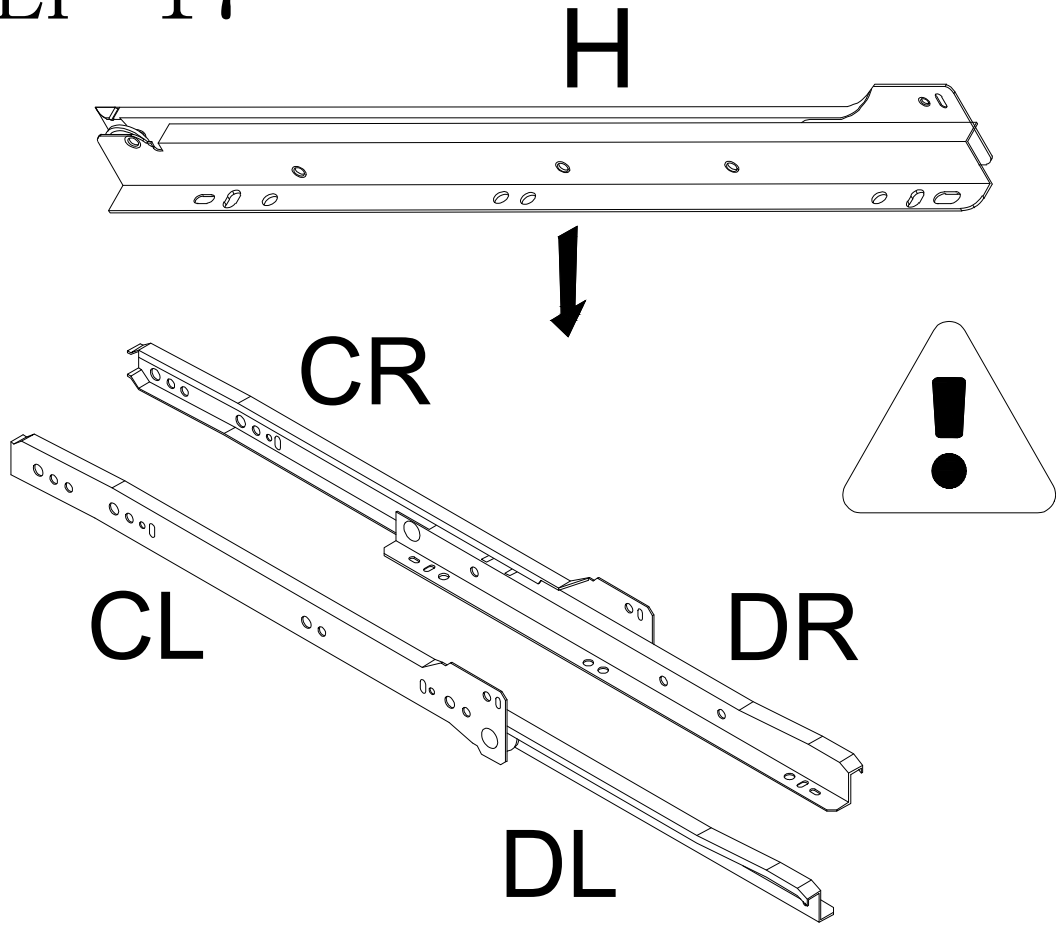
	D × 4PCS
	C × 4PCS

STEP 16

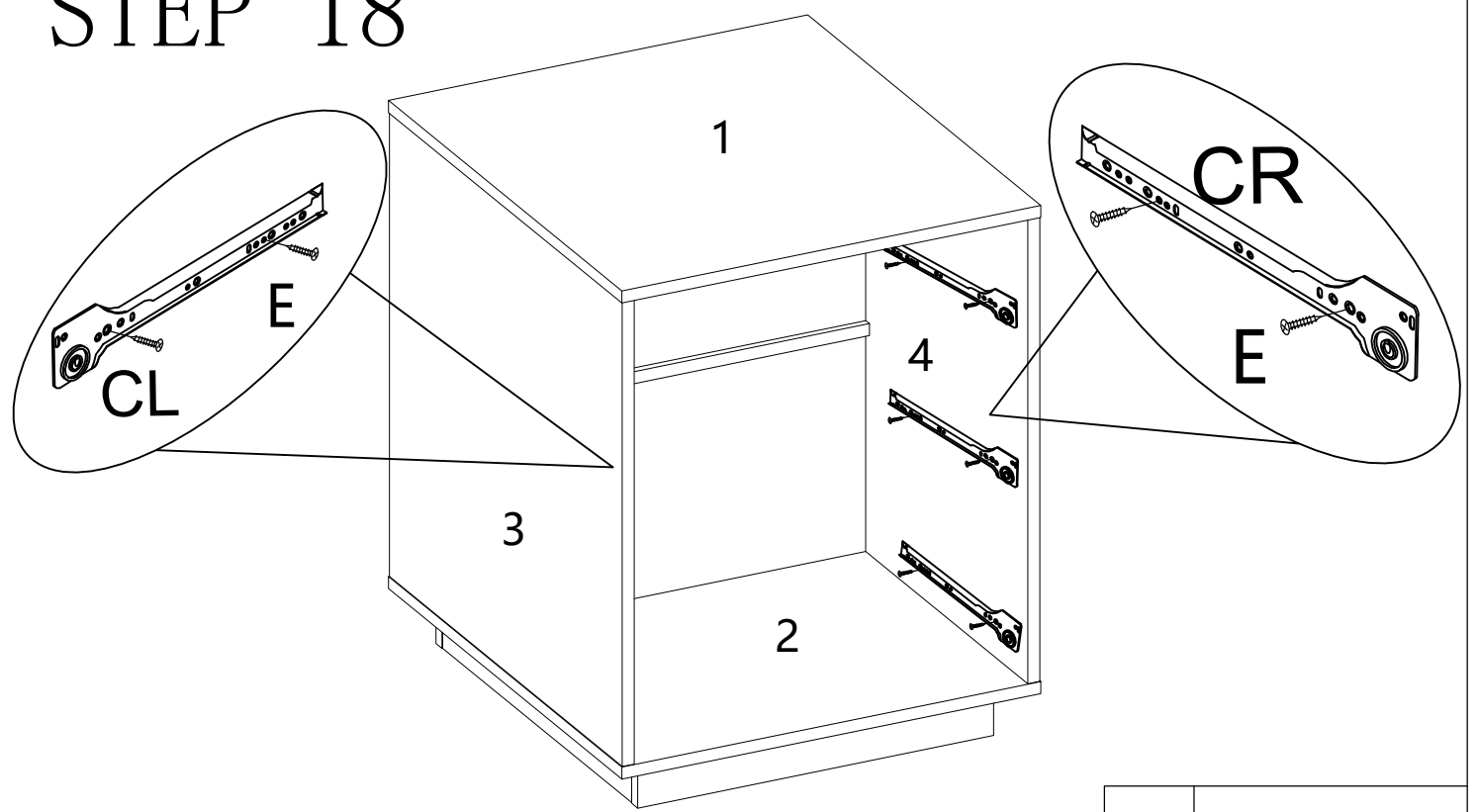





	O × 6PCS
---	----------

STEP 17

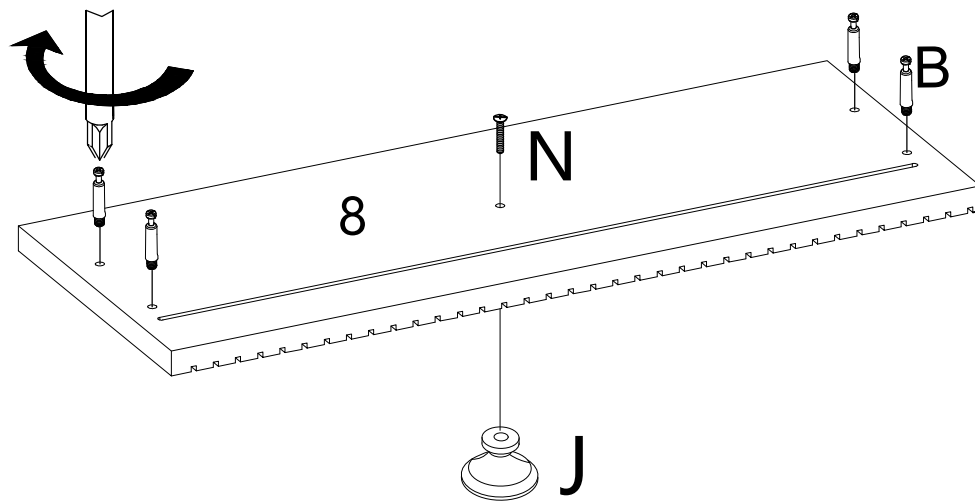
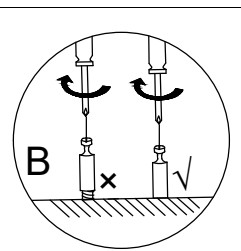
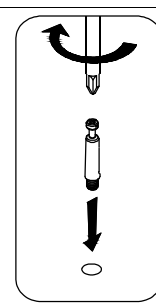


STEP 18



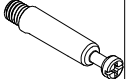


	CL × 3PCS
	CR × 3PCS
	E × 12PCS

STEP 19

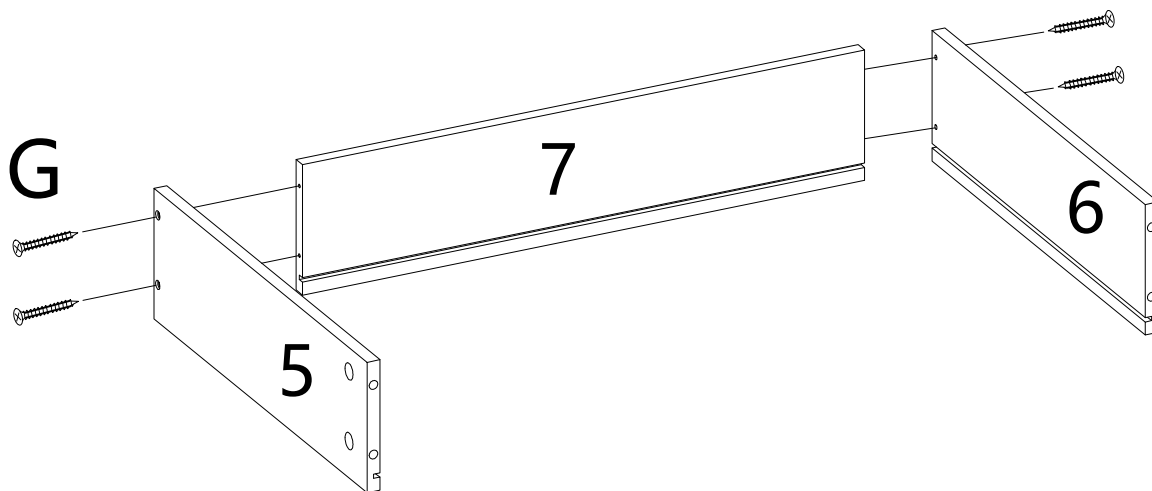



X3

	N × 3PCS
	J × 3PCS
	B × 12PCS

STEP 20

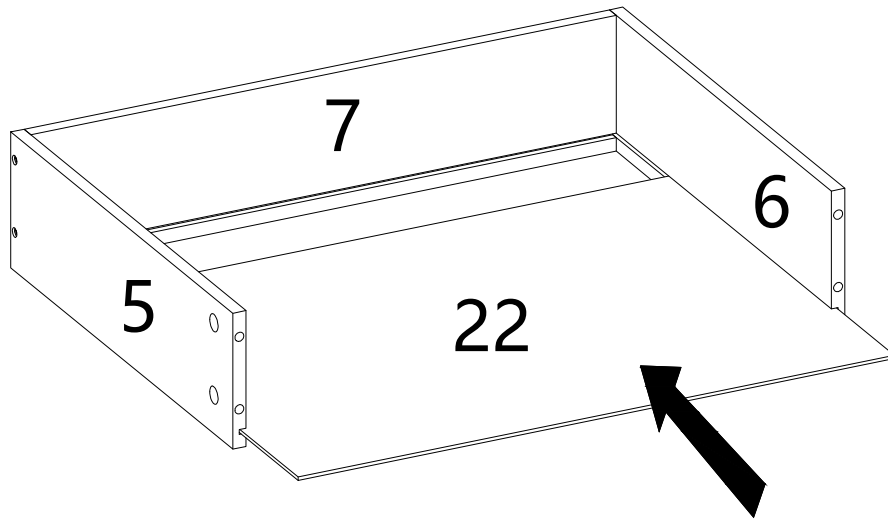
X3



	G × 12PCS
---	-----------

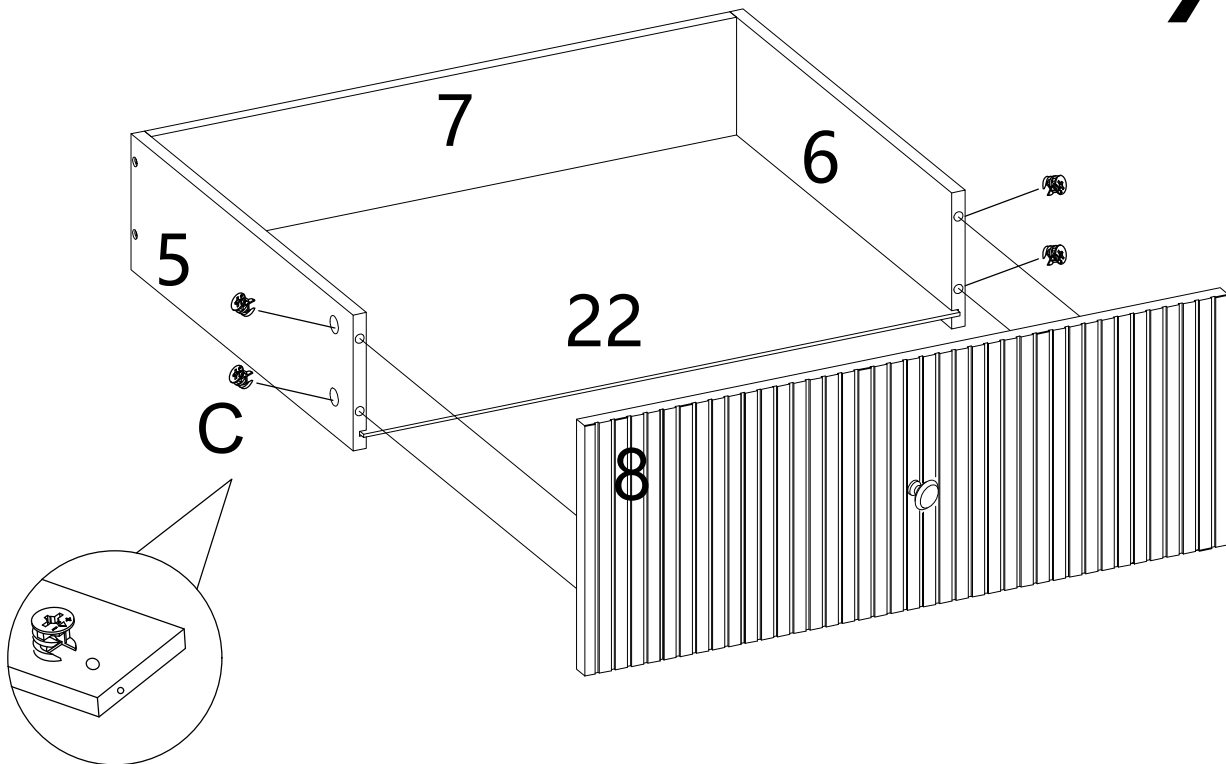
STEP 21

X3



STEP 22

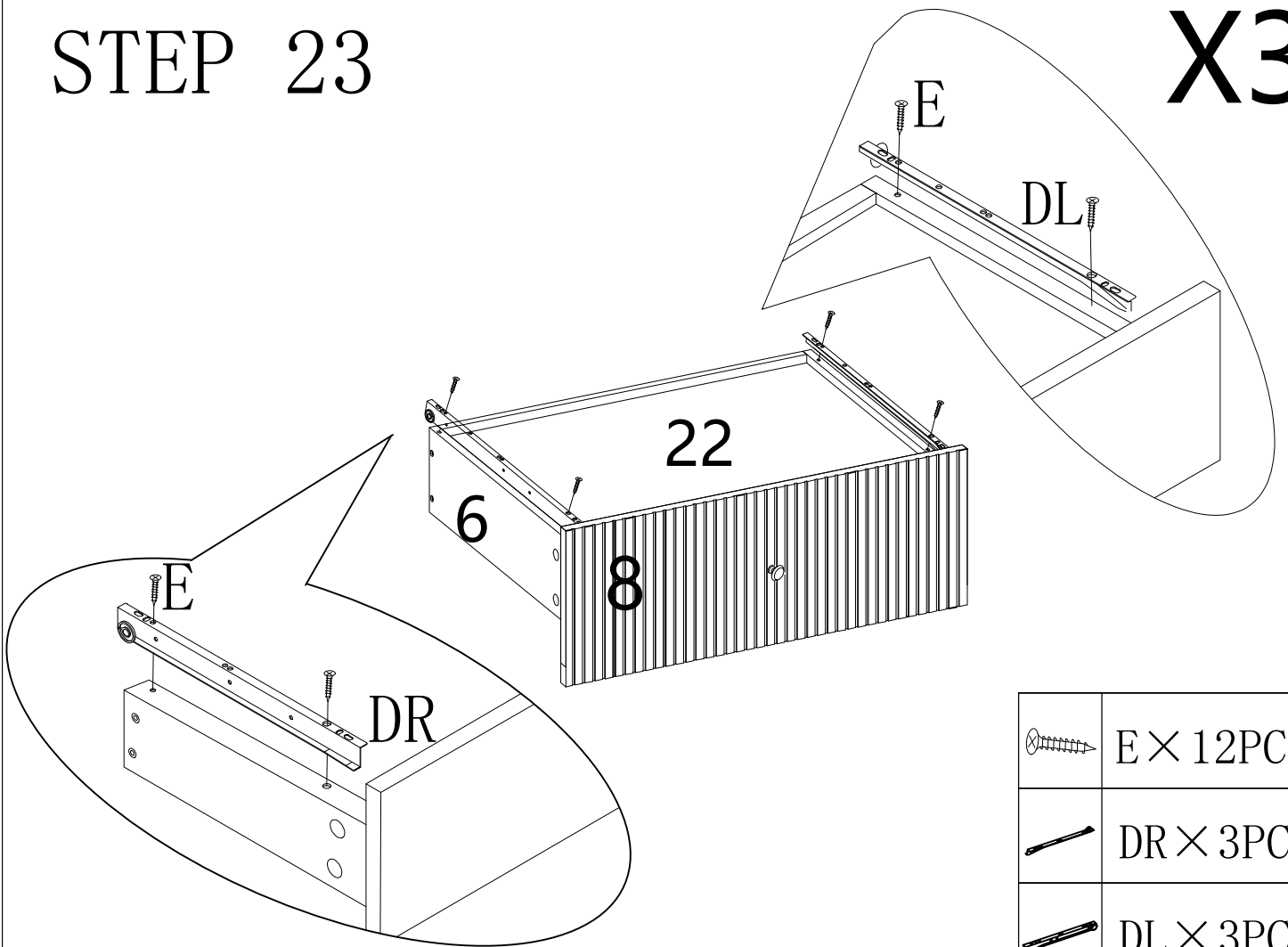
X3

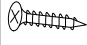




C × 12PCS

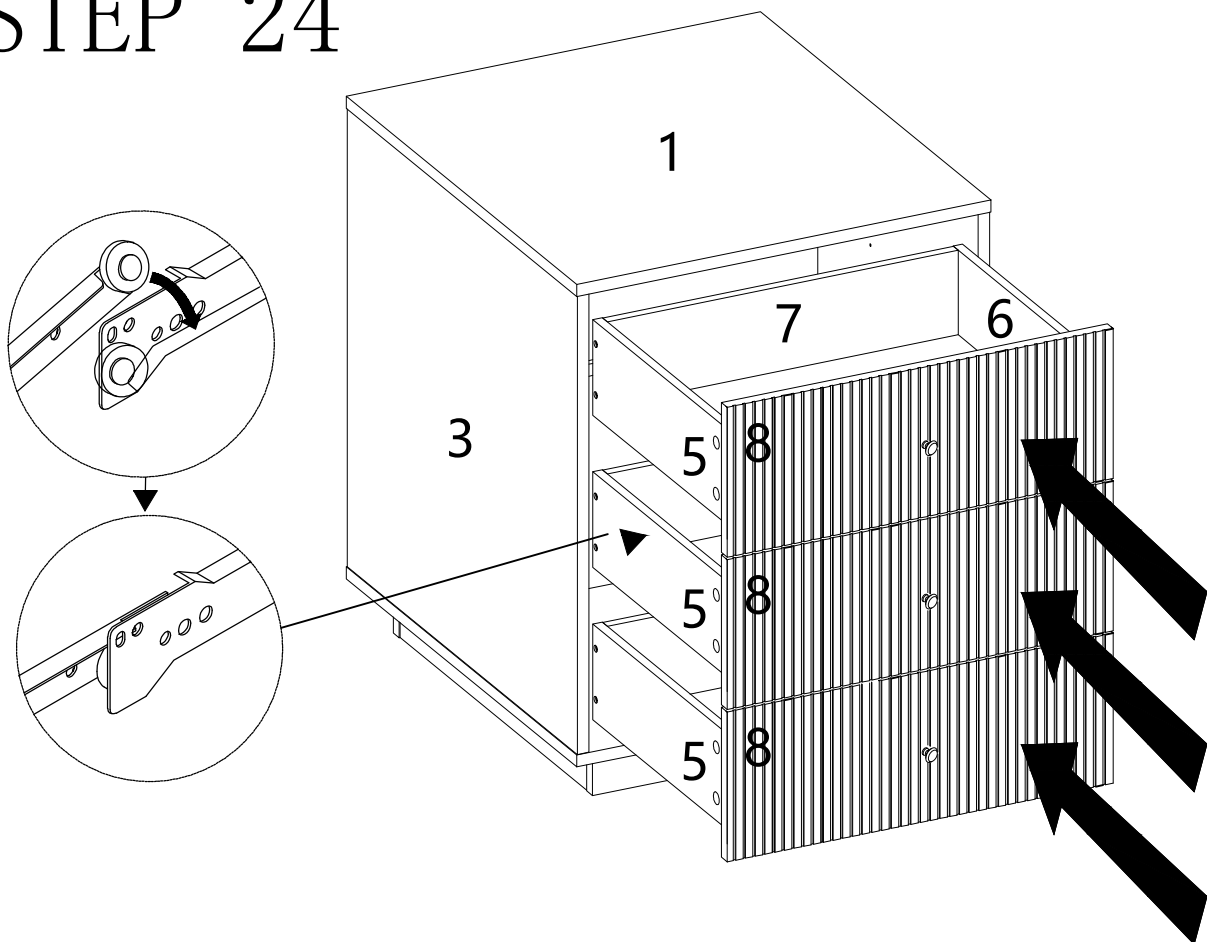
STEP 23

X3

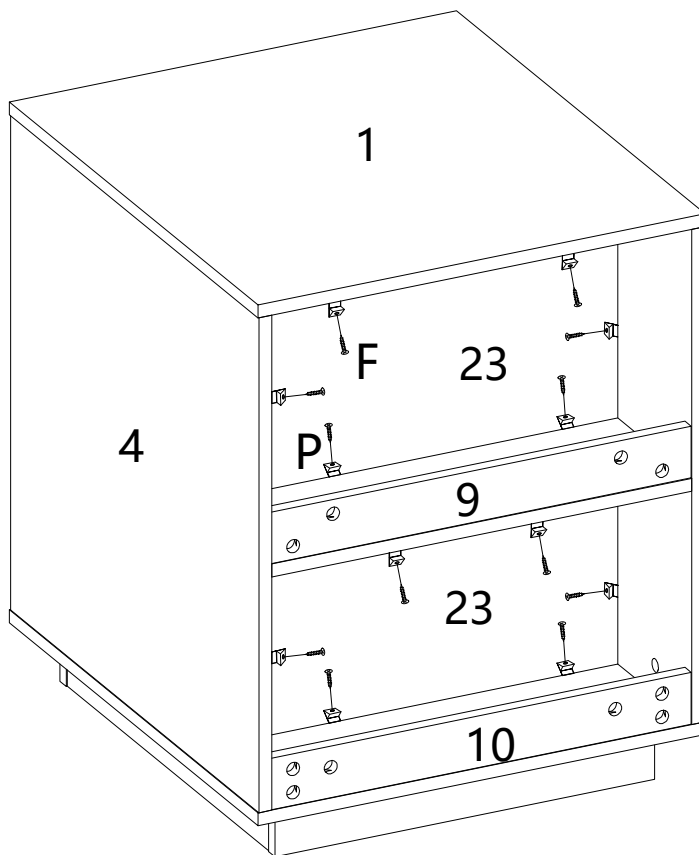



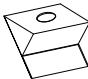
	E × 12PCS
	DR × 3PCS
	DL × 3PCS

STEP 24

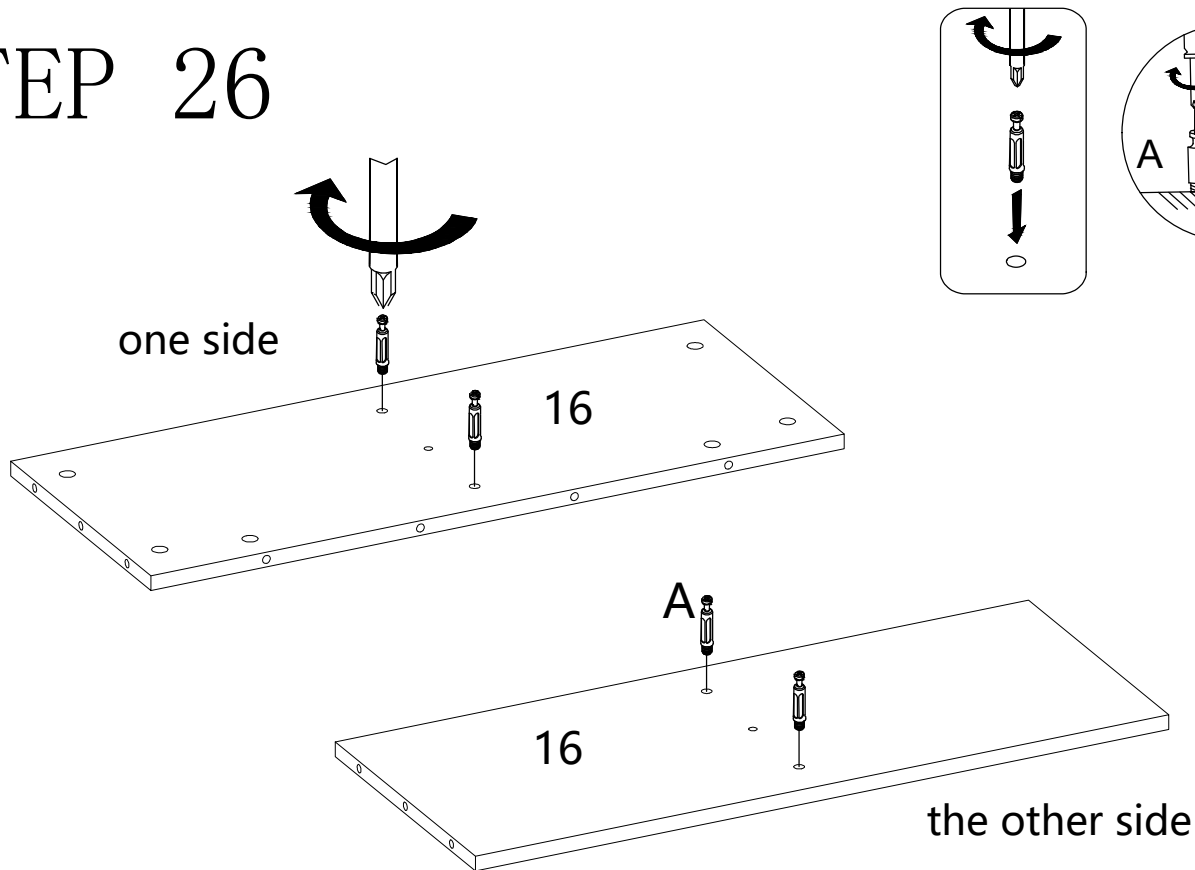



STEP 25



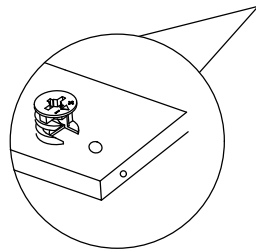
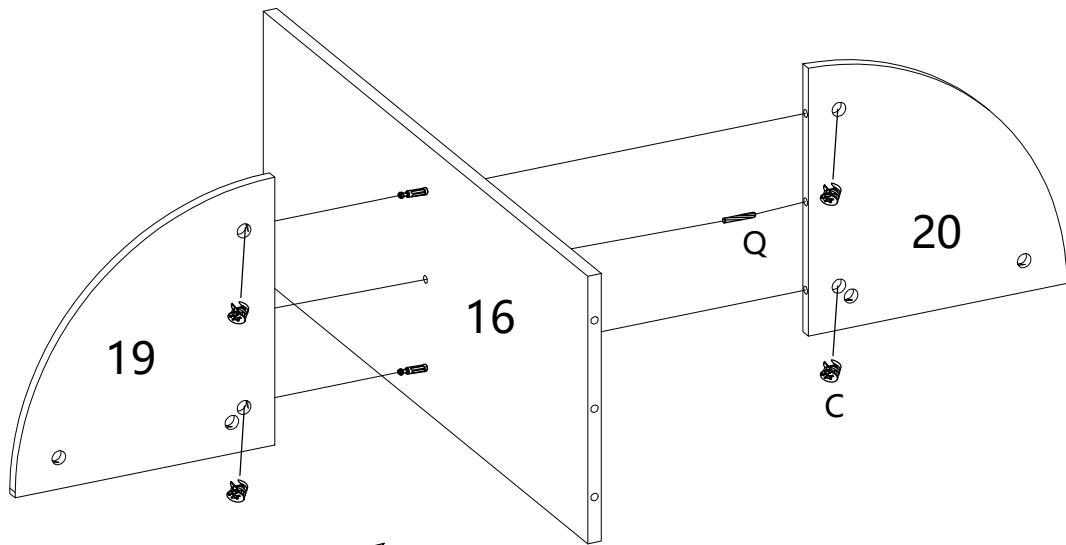
	F × 12PCS
	P × 12PCS

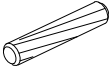

STEP 26



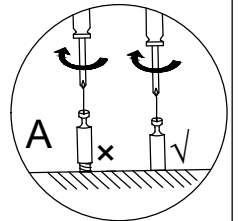
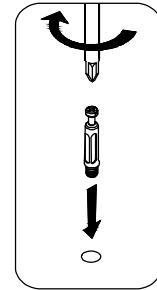
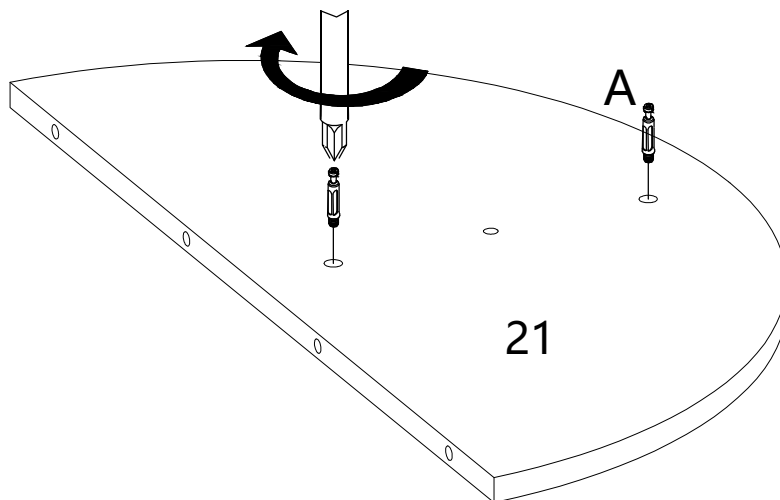
	A × 4PCS
---	----------


STEP 27



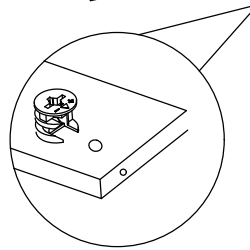
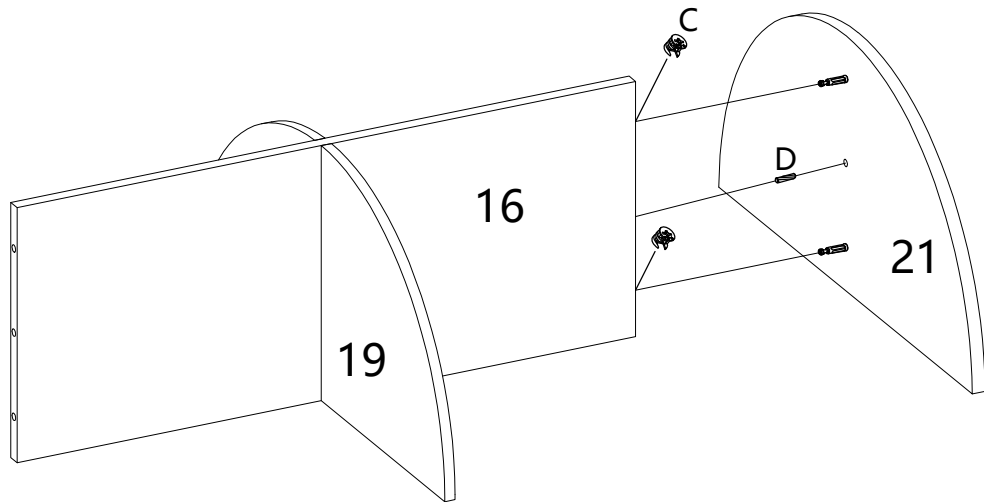
	Q × 1PC
	C × 4PCS

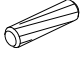

STEP 28



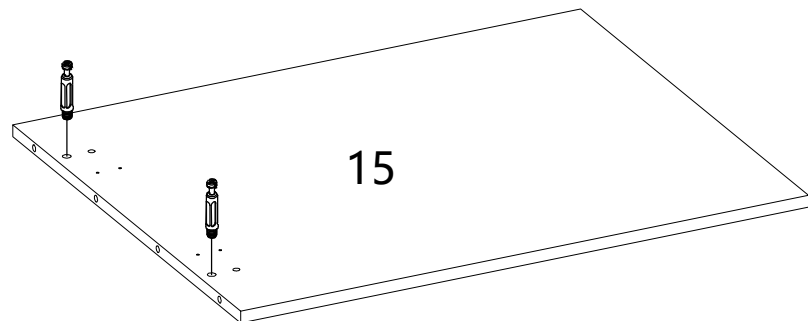
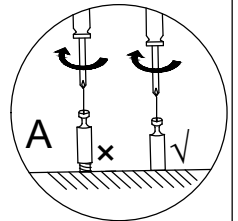
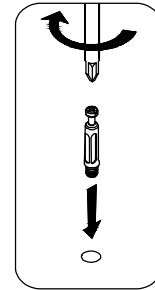
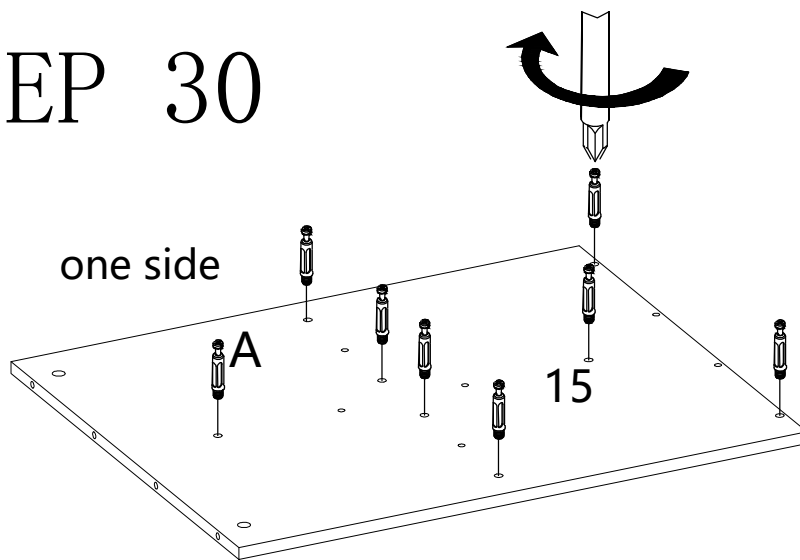
	A × 2PCS
---	----------

STEP 29




	D × 1PC
	C × 2PCS

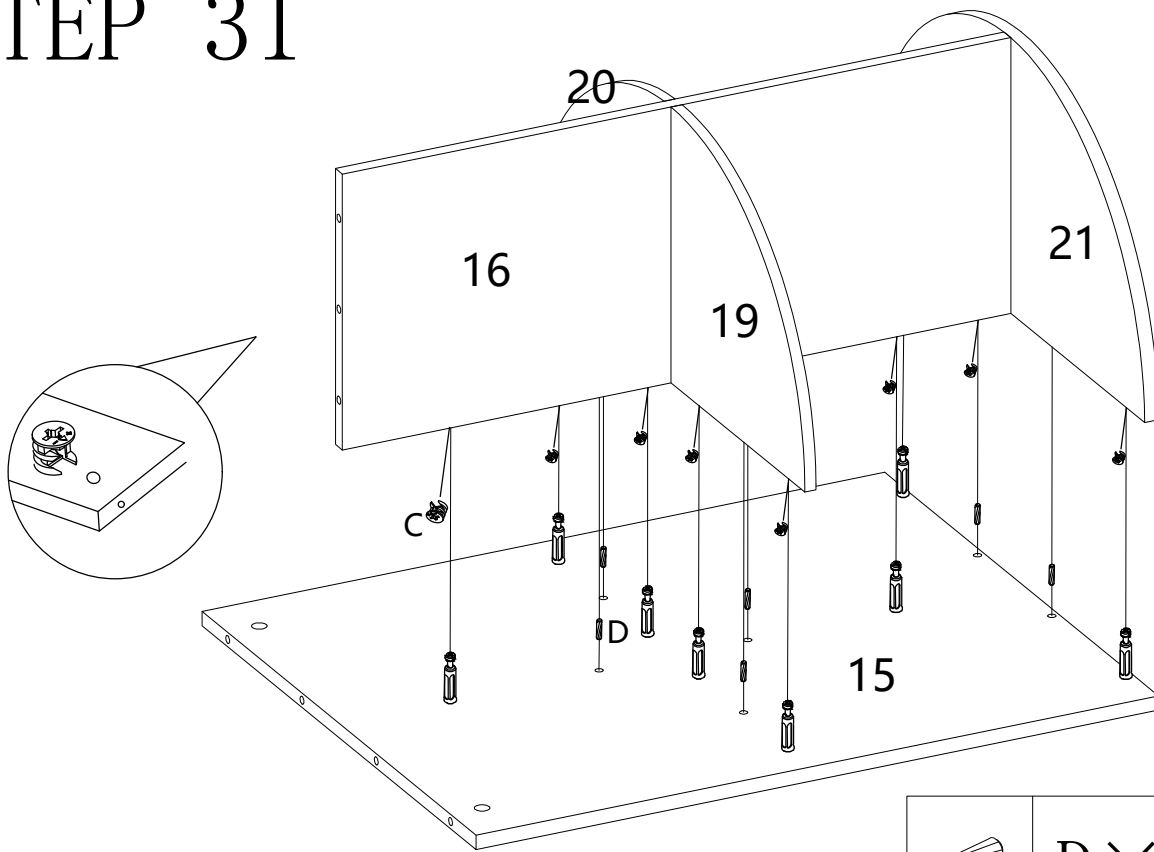
STEP 30

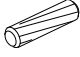



the other side

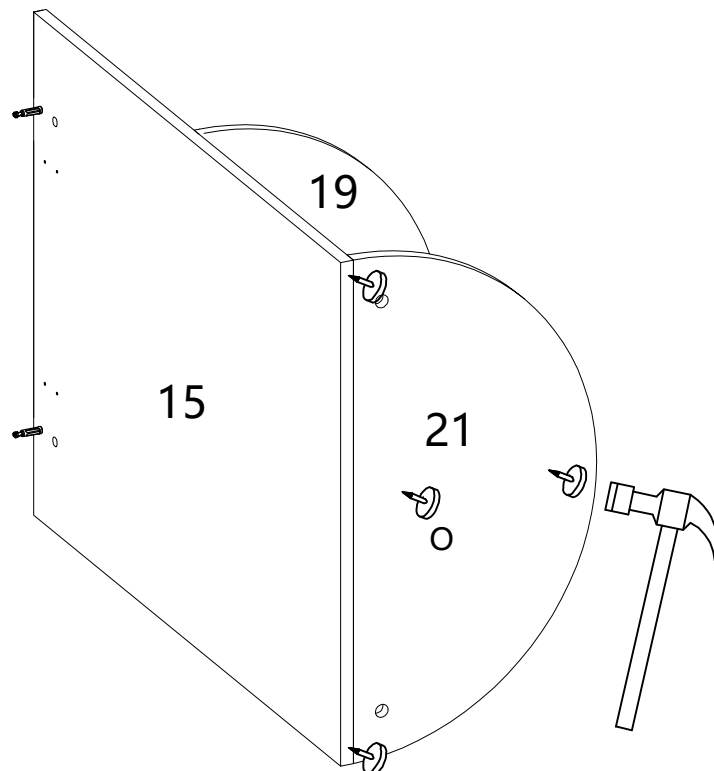
	A × 10PCS
---	-----------


STEP 31



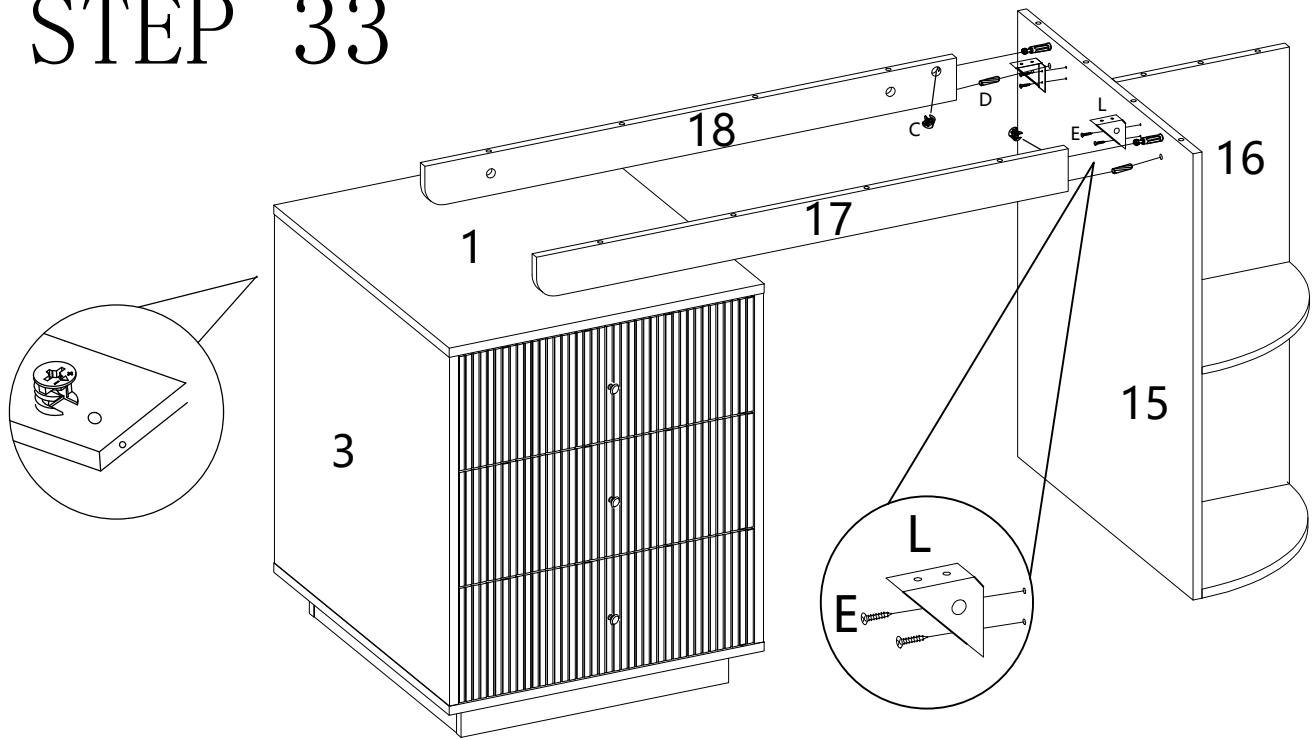
	D × 6PCS
	C × 8PCS


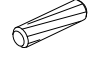


STEP 32



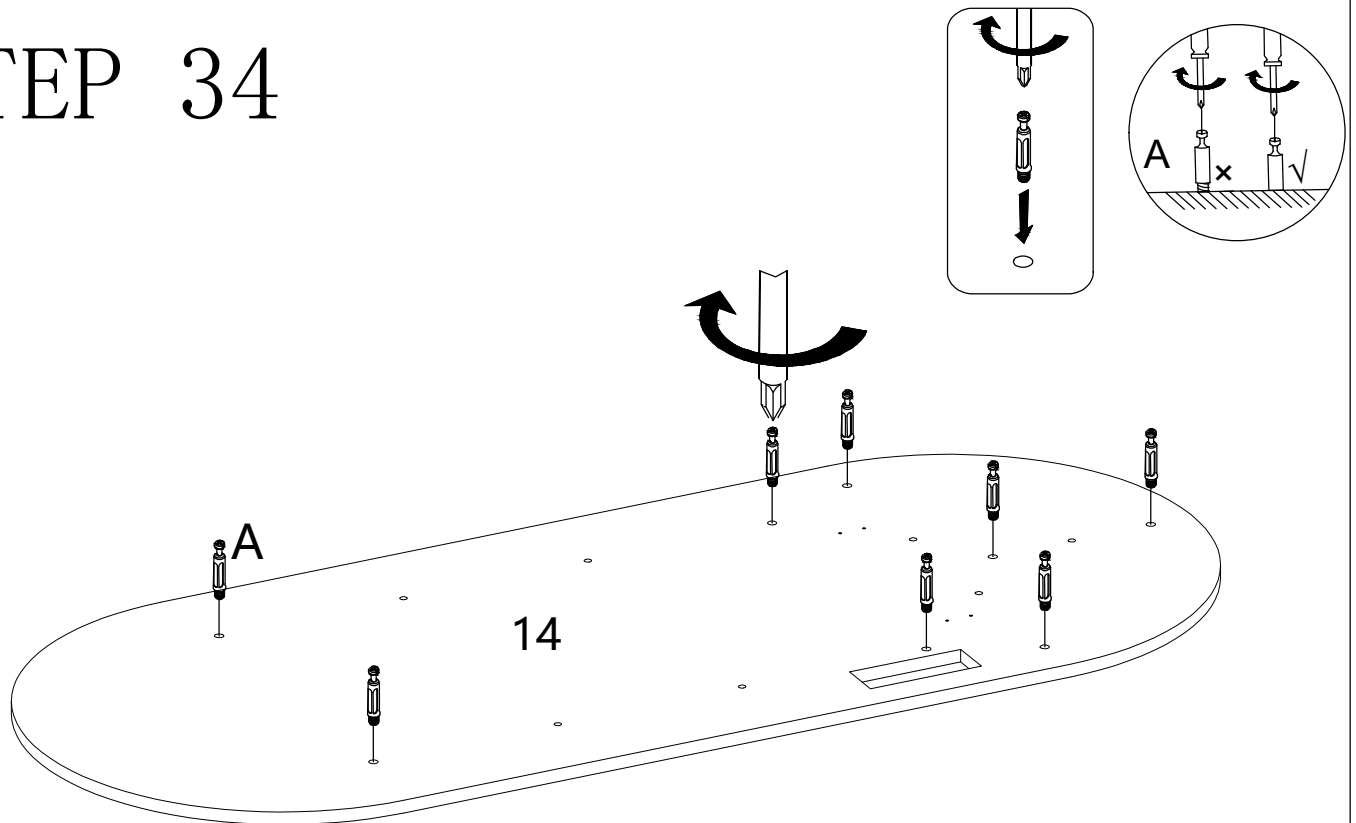
	O × 4PCS
---	----------

STEP 33



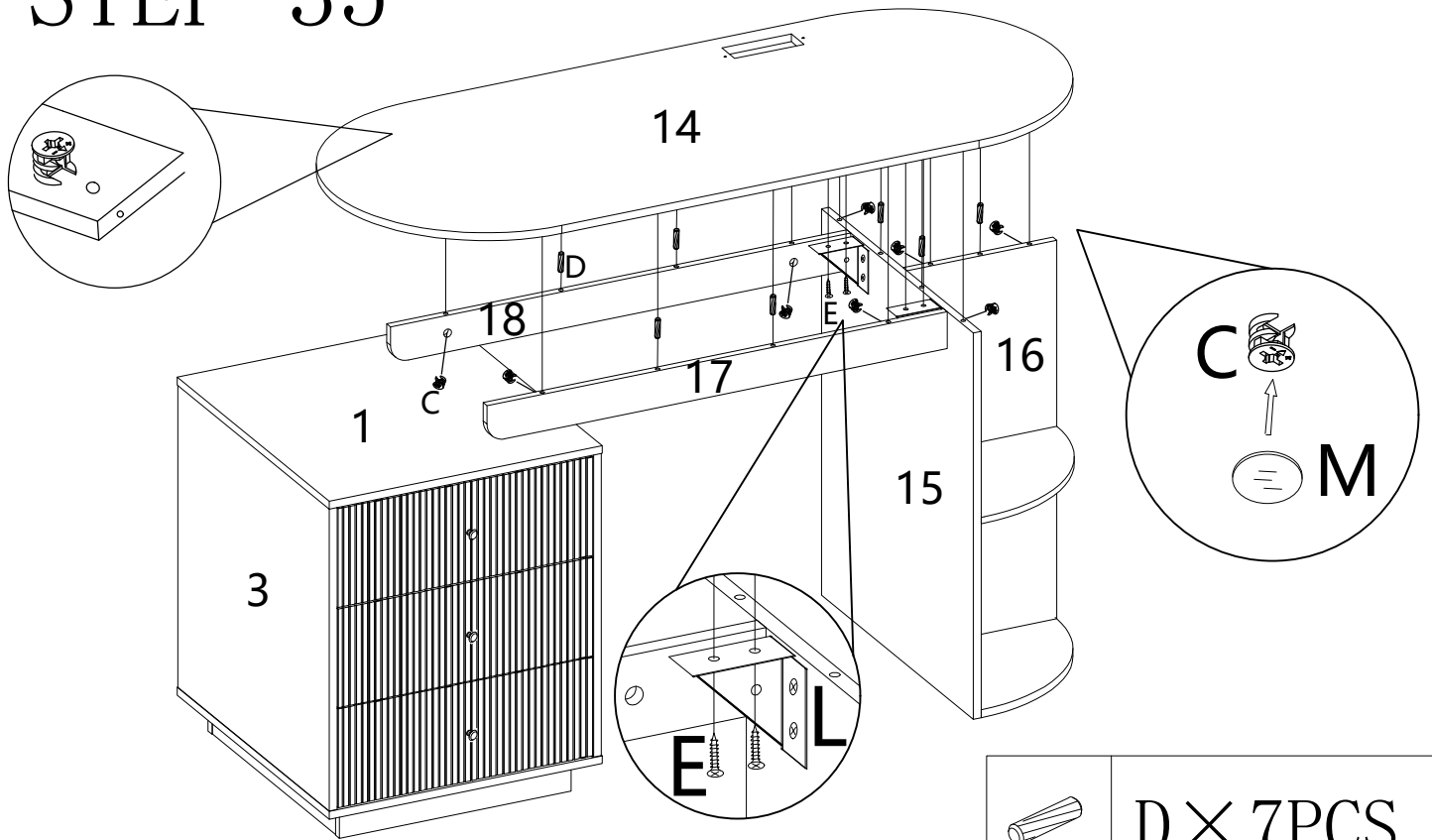
	E × 4PCS		D × 2PCS
	L × 2PCS		C × 2PCS

STEP 34






	A × 8PCS
---	----------

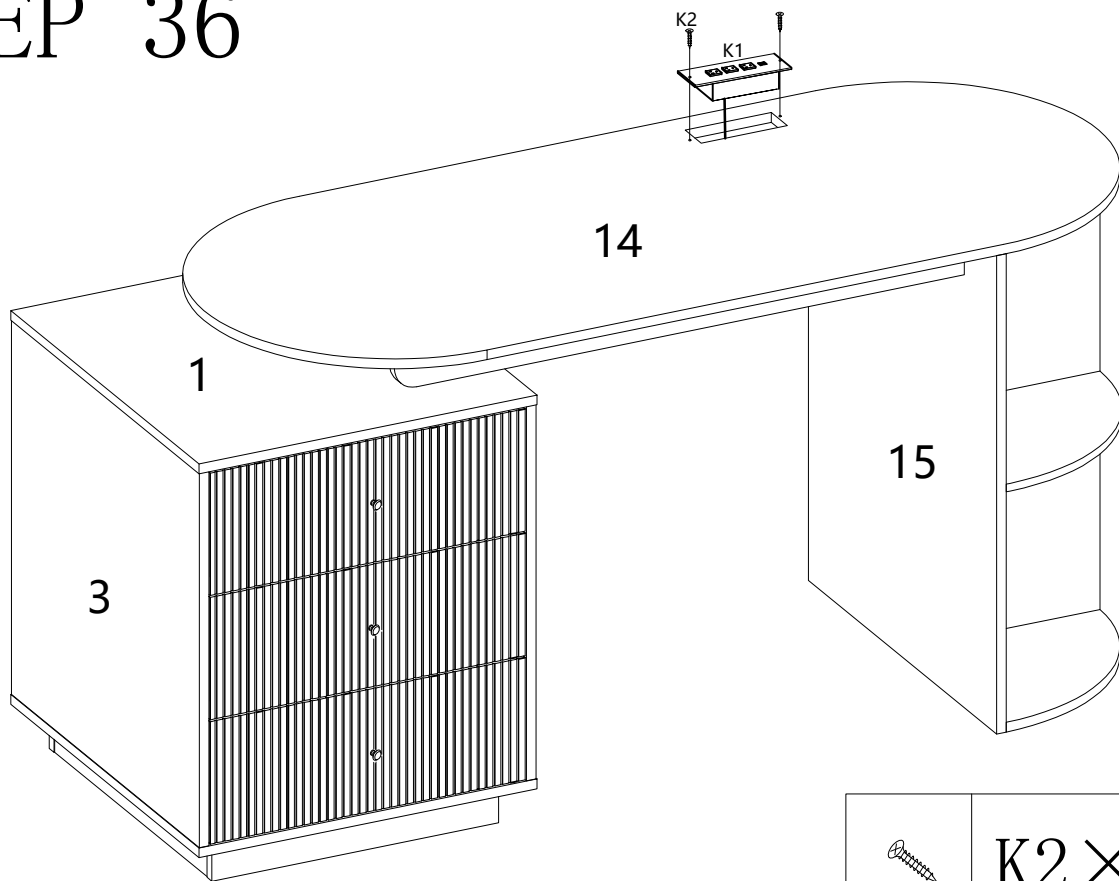
STEP 35




	D × 7PCS
---	----------

	M × 74PCS		E × 4PCS		C × 8PCS
---	-----------	---	----------	---	----------

STEP 36



	K2 × 1PC
---	----------

	K1 × 1PC
---	----------