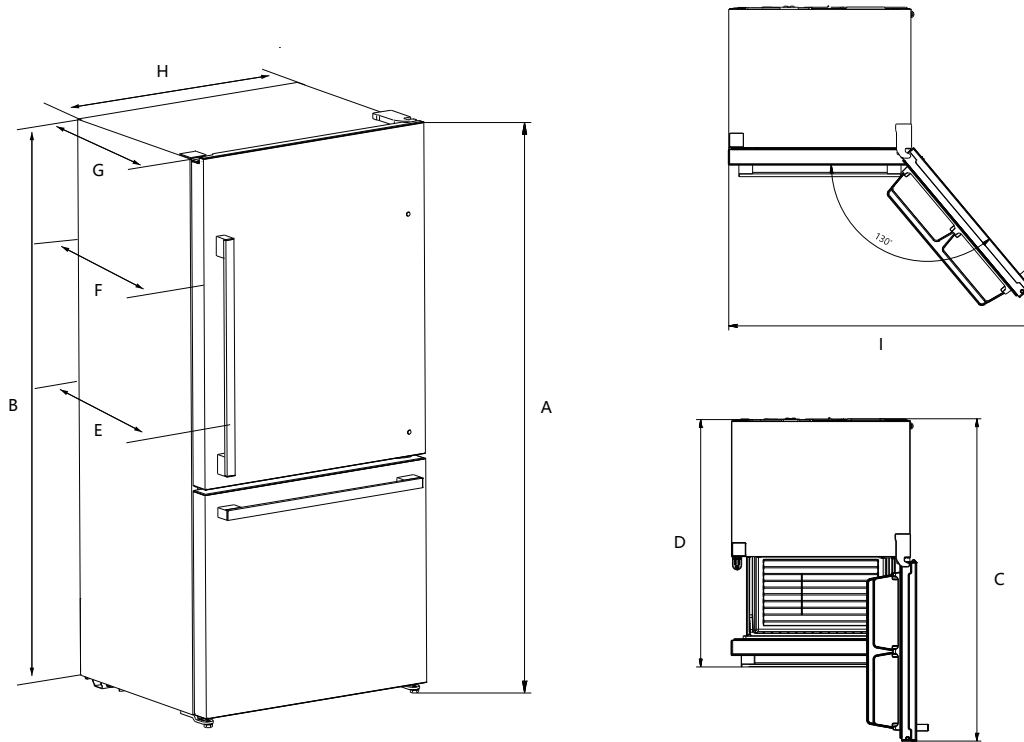


Bottom Mount Refrigerator

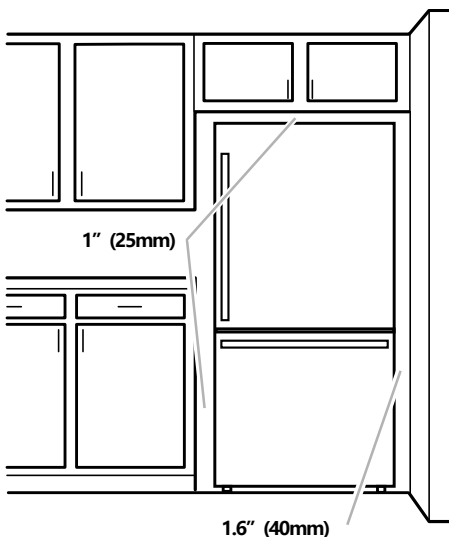
PRODUCT DIMENSIONS

Hisense



Model	Capacity cu.ft	Height-overall "A"	Height-TopOf Cabinet "B"	Depth-Doors Open 90° "C"	Depth-Drawer Open "D"	Depth-with Handles "E"	Depth-without Handles "F"	Depth-Cabinet "G"	Width-Cabinet "H"	Width-Doors Open 130° "I"
HRB171N6ASE	17.2	69.1" (1756mm)	68.5" (1740mm)	56.3" (1430mm)	43.3" (1101mm)	29.1" (740mm)	26.6" (675.5mm)	23.6" (600mm)	31.1" (790mm)	52" (1321mm)
HRB171N6AWE	17.2	69.1" (1756mm)	68.5" (1740mm)	56.3" (1430mm)	43.3" (1101mm)	29.1" (740mm)	26.6" (675.5mm)	23.6" (600mm)	31.1" (790mm)	52" (1321mm)
HRB171N6ABE	17.2	69.1" (1756mm)	68.5" (1740mm)	56.3" (1430mm)	43.3" (1101mm)	29.1" (740mm)	26.6" (675.5mm)	23.6" (600mm)	31.1" (790mm)	52" (1321mm)
HRB171N6BSE	17.2	69.1" (1756mm)	68.5" (1740mm)	56.3" (1430mm)	43.3" (1101mm)	29.1" (740mm)	26.6" (675.5mm)	23.6" (600mm)	31.1" (790mm)	52" (1321mm)

LOCATION REQUIREMENTS



To ensure proper ventilation for your refrigerator, allow for a 1" (25mm) space on each side and at the top. Allow at least 20" (51mm) between back of cabinet and the wall. If your refrigerator has an ice maker, allow extra space at the back for the water line connections.

If you are installing your refrigerator next to a fixed wall, leave 1.6" (40mm) minimum on the hinge side (some models require more) to allow for the door to swing open.

NOTE: This refrigerator is intended for use in a location where the temperature ranges from a minimum of 55°F (13°C) to a maximum of 110°F (43°C).