

SEACHROME

Seachrome Corporation
 1906 East Dominguez Street
 Long Beach, California 90810
 Phone: (800) 955-2476
 Fax: (800) 444-3380

Description:

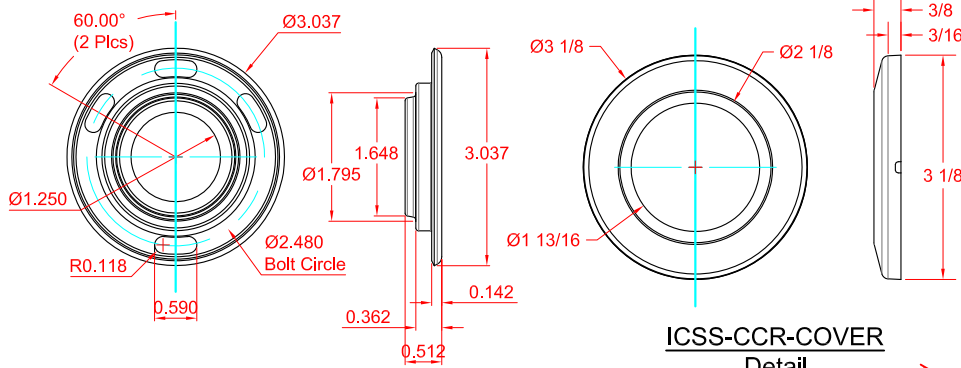
GW-4236-QCR-PS
Wall to Wall Swing Away Bar
(Polished Stainless Finish)

Customer:

Customer Part #

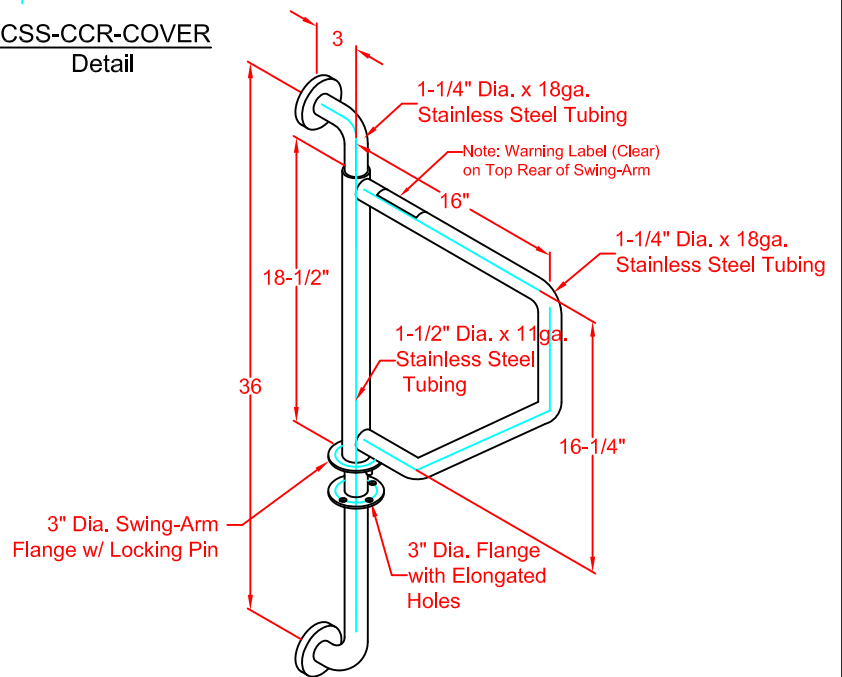
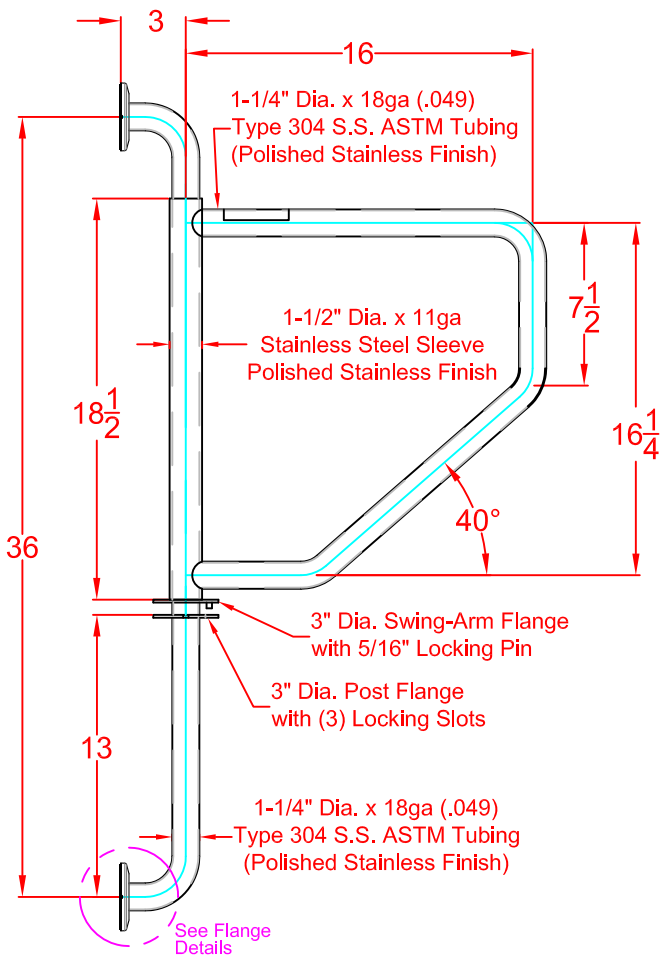
12-02-2019

LIFESTYLE & WELLNESS

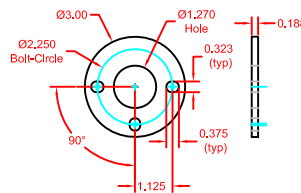


IFSS-CER-FLANGE
Detail

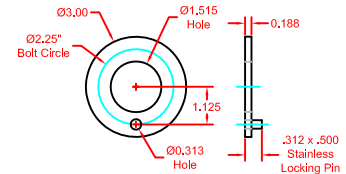
ICSS-CCR-COVER
Detail



Isometric View



GSSA-Post Flange with (3) Elongated Holes



GSSA-Swing Arm Flange with 5/16\"/>

This drawing and the information contained herein is proprietary to Seachrome Corp. and shall not be reproduced, copied or disclosed in whole, or part, or used for manufacturing or for any other purpose without the written permission of Seachrome Corporation.

Hardware Package Includes:
(6) #10 x 2-1/2\"/>